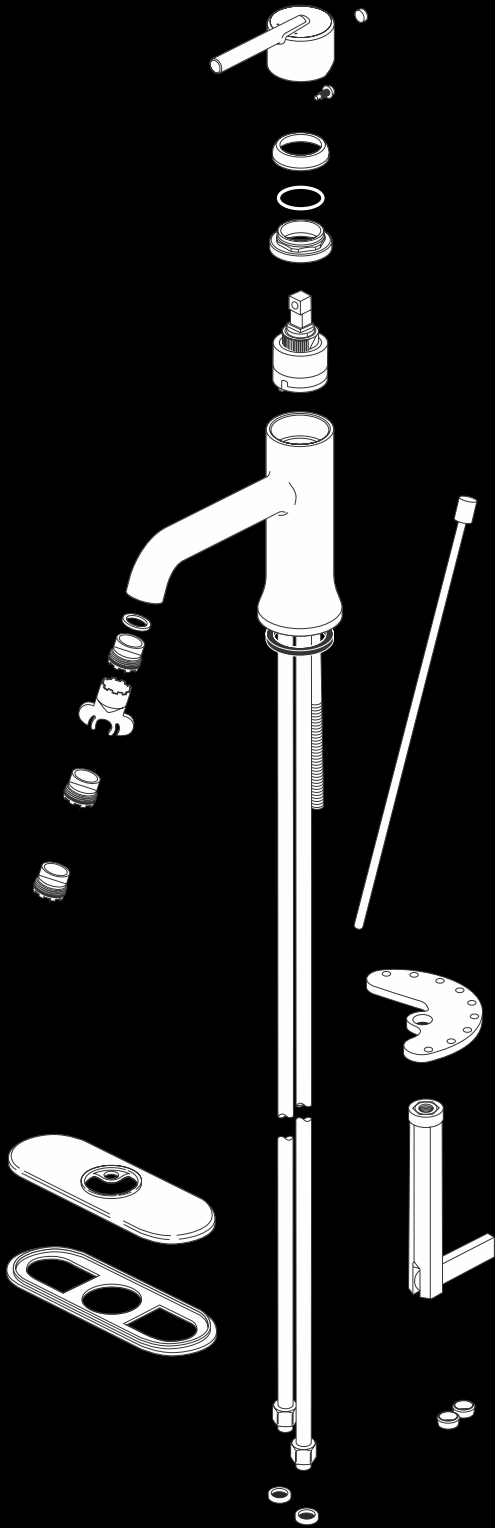




see what Delta can do<sup>SM</sup>

# Spare Parts Manual





S. No.	Product	SKU Code	Category	Description	P. No.
1	ARA	567LF-MPU	Lav Faucets	Ara Single Handle Lav Faucet with Pop Up and Regular Spout	11
2	ARA	568LF-MPU	Lav Faucets	Ara Single-Handle Lav Faucet with Pop-up with Channel Spout	12
3	ARA	767LF	Lav Faucets	Ara Single Handle Tall Lav Faucet with Regular Spout	13
4	ARA	R3500-WL	Showering	Ara Wall Mount Rough	14
5	ARA	55567	Showering	Ara H2Okinetic Handshower with Hose & Bracket	15
6	ARA	T11967	Tub & Shower	Ara 6-Setting Diverter Trim	16
7	ARA	T17T067	Tub & Shower	Ara TempAssure Thermostatic Valve Trim	17
8	ARA	T85367	Tub & Shower	Ara In-Wall Tub & Shower Trim	18
9	ARA	T3567LF-WL	Tub & Shower	Two Handle wall mount with Full spout	19
10	ARA	T3568LF-WL	Tub & Shower	Ara Two Handle Wall Mount Chanel spout	20
11	ARA	T4767	Tub & Shower	4-Hole Tub Filler Trim	21
12	ARA	768LF	Tub & Shower	Ara Single Handle with Riser Faucet without Drain	22
13	VERO	3553LF	Lav Faucets	Vero 2-Handle Deck Mount Lav Faucet	23
14	VERO	553LF	Lav Faucets	Vero Single Handle Lav Faucet with Pop Up	24
15	VERO	753LF	Lav Faucets	Vero Single Handle Tall Lav Faucet less pop up	25
16	VERO	T11853	Tub & Shower	Vero 3 Setting Diverter Trim	26
17	VERO	T11953	Tub & Shower	Vero 6-Setting Diverter Trim	27
18	VERO	T17T053	Tub & Shower	Vero TempAssure 17T Series MultiChoice Thermostatic Valve Trim	28
19	ADDISON	9192-DST	Kitchen Faucets	Addison Pull-Down Kitchen Faucet	30
20	ADDISON	9192T-DST	Kitchen Faucets	Addison Pull-Down Kitchen Faucet with Touch2O	32
21	ADDISON	3592LF	Lav Faucets	Addison 2-Handle Deck Mount Lav Faucet	34
22	ADDISON	3592LF-WL	Lav Faucets	Addison 2-Handle Wall Mount Lav Faucet	35
23	ADDISON	592-DST	Lav Faucets	Addison Single Handle Lav Faucet with Pop Up	36
24	ADDISON	592T-DST	Lav Faucets	Addison Single Handle Lav Faucet with Touch2O.xt	38
25	ADDISON	592T-SS-DST	Lav Faucets	Addison Single Handle Lav Faucet with Touch2O.xt	40
26	ADDISON	792-DST	Lav Faucets	Addison Single Handle Tall Lav Faucet less pop up	42
27	ADDISON	T4792	Lav Faucets	4-Hole Tub Filler Trim	44
28	ANDIAN	33801-DV	Kitchen Faucets	Andian Kitchen Faucet	45
29	ANDIAN	33840	Lav Faucets	Andian 2-Handle Deck Mount Lav Faucet	46
30	ANDIAN	33825-DV	Lav Faucets	Andian Single Handle Lav Faucet with Pop Up	47
31	ANDIAN	33825-PDV	Lav Faucets	Andian Single Handle Tall Lav Faucet without Pop Up	48



S. No.	Product	Sku Code	Category	Description	P. No.
32	ANDIAN	33832-WL	Lav Faucets	Andian Single Handle Wall Mount Lav Faucet Bundle	49
33	ANDIAN	ITS61338	Tub & Shower	Andian Tub Spout with Diverter to Handshower with Flange	50
34	ANDIAN	ITS62338	Tub & Shower	Andian Tub Spout with Diverter to Handshower with Flange	51
35	ANDIAN	T852338	Tub & Shower	Andian In-Wall Shower only Trim	52
36	ANDIAN	T853338	Tub & Shower	Andian In-Wall Shower only Trim	53
37	COMPEL	561LF-LPU	Lav Faucets	Compel Single Handle Lav Faucet less Pop Up	54
38	COMPEL	561LF-MPU	Lav Faucets	Compel Single Handle Lav Faucet with Pop Up	56
39	COMPEL	761LF	Lav Faucets	Compel Single Handle Tall Lav Faucet with Pop Up	57
40	COMPEL	561T-DST-IN	Tub & Shower	Compel Single Handle Lav Faucet with Touch2O.xt with Pop Up (with adapters)	59
41	COMPEL	761T-DST-IN	Tub & Shower	Compel Single Handle Tall Lav Faucet with Touch2O.xt with Pop Up (with adapters)	61
42	COMPEL	ITS6161	Tub & Shower	Compel Tub Spout without Diverter with Flange	63
43	COMPEL	ITS6261	Tub & Shower	Compel Tub Spout with Diverter to Handshower with Flange	64
44	COMPEL	T85361	Tub & Shower	Compel In-Wall Tub & Shower Trim with Diverter	65
45	MANDOLIN	26601	Kitchen Faucets	Mandolin Kitchen Faucet	66
46	MANDOLIN	26532	Lav Faucets	Mandolin 2-Handle Wall Mount Lav Faucet	67
47	MANDOLIN	26540	Lav Faucets	Mandolin 2-Handle Deck Mount Lav Faucet	68
48	MANDOLIN	26530-DV	Lav Faucets	Mandolin Single Handle Lav Faucet with Pop Up	69
49	MANDOLIN	26625-P	Lav Faucets	Mandolin Single Handle Tall Lav Faucet with Pop Up	70
50	MANDOLIN	RP48023	Tub & Shower	Mandolin Tub Spout without Diverter with Flange	71
51	MANDOLIN	ITS62265	Tub & Shower	Mandolin Tub Spout with Diverter to Handshower with Flange	72
52	MANDOLIN	T853265	Tub & Shower	Mandolin In-Wall Tub & Shower Trim with Push-Button Diverter	73
53	TRINSIC	9159T-DST	Kitchen Faucets	Trinsic Pull-Down Kitchen Faucet with Touch2O	74
54	TRINSIC	3559LF-WL	Lav Faucets	Trinsic Single Handle Wall Mount Lav Faucet Bundle	76
55	TRINSIC	3559-MPU-DST	Lav Faucets	Trinsic 2-Handle Deck Mount Lav Faucet	77
56	TRINSIC	559LF-LPU	Lav Faucets	Trinsic Single Handle Lav Faucet less Pop Up	78
57	TRINSIC	10459-VO	Tub & Shower	Trinsic On-wall Tub & Shower with Handshower	79
58	TRINSIC	ITS6159	Tub & Shower	Trinsic Tub Spout without Diverter with Flange	80
59	TRINSIC	T11959	Tub & Shower	Trinsic 6-Setting Diverter Trim	81
60	TRINSIC	T4759	Tub & Shower	Trinsic 4-Hole Tub Filler Trim only	82



S. No.	Product	Sku Code	Category	Description	P. No.
61	TRINSIC	T85359	Tub & Shower	Trinsic In-Wall Tub & Shower Trim with Push-Button Diverter	83
62	ARZO	601T040	Commercial	Loki Single Hole 2-Handle Lav Faucet	84
63	ARZO	26025	Lav Faucets	Arzo Single Handle Lav Faucet with Pop Up	86
64	ARZO	26040	Lav Faucets	Arzo 2-Handle Deck Mount Lav Faucet	87
65	ARZO	26032-WL	Lav Faucets	Arzo Single Handle Wall Mount Lav Faucet Bundle	88
66	ARZO	ITS62260	Tub & Shower	Arzo Tub Spout with Diverter to Handshower with Flange	89
67	ARZO	RP48333	Tub & Shower	Arzo Tub Spout without Diverter with Flange	90
68	ARZO	T11886, T11986	Tub & Shower	Arzo 3 Setting Diverter Trim	91
69	ARZO	T17T086	Tub & Shower	Arzo TempAssure 17T Series MultiChoice Thermostatic Valve Trim	92
70	ARZO	T315260	Kitchen Faucets	Single Handle Wall Mount Faucet	93
71	KAMI	33925	Tub & Shower	Single Handle Lav Faucet	94
72	KAMI	33925-LPU	Tub & Shower	Single Handle Lav Faucet - Less Pop Up	96
73	KAMI	33925-P	Tub & Shower	Single Handle Lav -- Riser / Vessel	98
74	KAMI	33926	Tub & Shower	Single hole bidet faucet	100
75	KAMI	33940	Tub & Shower	Two handle widespread lavatory	102
76	KAMI	33950	Tub & Shower	On-wall tub/shower	103
77	KAMI	33950-VO	Tub & Shower	On-wall tub/shower	106
78	KAMI	33951	Tub & Shower	On wall shower only	108
79	KAMI	33951-VO	Tub & Shower	On wall shower only	110
80	KAMI	33976	Tub & Shower	In-wall shower only	112
81	KAMI	33985	Tub & Shower	In-wall tub/shower	114
82	KAMI	T140339	Tub & Shower	In wall tub shower trim	116
83	KAMI	T31339-WL	Tub & Shower	Single Handle Wall Mount Trim	117
84	KAMI	T32339-WL	Lav Faucets	Two handle wall mount lavatory faucet trim	119
85	KAMI	T853339	Tub & Shower	In Wall Shower Trim with Push Button Diverter	120
86	KAMI	T852339	Tub & Shower	In Wall Shower Trim without Push Button Diverter	121
87	KAMI	ITS62339	Tub & Shower	Tub Spout with diverter	122
88	KAMI	ITS61339	Tub & Shower	Tub Spout without diverter	123
89	KAMI	22900H	Tub & Shower	Bidet Spray Angle Valve -- Valve Only	124
90	CELESTE	33501	Kitchen Faucets	Celeste Kitchen Faucet	125
91	CELESTE	33525	Lav Faucets	Celeste Single Handle Lav Faucet with Pop Up	127



S. No.	Product	Sku Code	Category	Description	P. No.
92	CELESTE	33540	Lav Faucets	Celeste 2-Handle Deck Mount Lav Faucet	128
93	CELESTE	33525-P	Lav Faucets	Celeste Single Handle Tall Lav Faucet without Pop Up	129
94	CELESTE	33532-WL	Lav Faucets	Celeste Single Handle Wall Mount Lav Faucet Bundle	130
95	CELESTE	T853335	Tub & Shower	Celeste In-Wall Tub & Shower Trim with Diverter	131
96	GRAIL	25225	Lav Faucets	Grail Single Handle Lav Faucet with Loop Handle with Pop Up	132
97	GRAIL	25225-PLA	Lav Faucets	Grail Single Handle Tall Lav Faucet with Pop Up	133
98	GRAIL	T853252-LA	Tub & Shower	Grail In-Wall Tub & Shower Trim with Push-Button Diverter	134
99	TALON	22900H-TALON	Fittings & Allied	Talon Angle Valve with Flange	135
100	TALON	23201	Kitchen Faucets	Talon Kitchen Faucet	136
101	TALON	23225	Lav Faucets	Talon Single Handle Lav Faucet with Push Pop Up	137
102	TALON	23240	Tub & Shower	Two Handle Deck mount Facuet with pop up technical and spare	138
103	TALON	23285-VO	Tub & Shower	Talon In-Wall Tub & Shower Rough & Trim Bundled with Diverter	139
104	TALON	T853232	Tub & Shower	Talon In-Wall Tub & Shower Trim with Push-Button Diverter	140
105	ELEMETRO	23001	Kitchen Faucets	Elemetro Kitchen Faucet	141
106	ELEMETRO	23025	Lav Faucets	Elemetro Single Handle Lav Faucet with Pop Up	142
107	ELEMETRO	23040	Lav Faucets	Elemetro 2-Handle Deck Mount Lav Faucet	143
108	ELEMETRO	23025-LPU	Lav Faucets	Elemetro Single Handle Lav Faucet less Pop Up	144
109	ELEMETRO	23025-P	Lav Faucets	Elemetro Single Handle Tall Lav Faucet less Pop up	145
110	ELEMETRO	T852230	Lav Faucets	Elemetro In-Wall Shower only Trim	146
111	ELEMETRO	T853230	Lav Faucets	Elemetro In-Wall Tub & Shower Trim with Diverter	147
112	IXA SOFT	44025	Lav Faucets	Ixa Soft Single Handle Lav Faucet with Pop Up	148
113	IXA SOFT	44025-LPU	Lav Faucets	Ixa Soft Single Handle Lav Faucet less Pop Up	150
114	IXA SOFT	44025-P	Lav Faucets	Ixa Soft Single Handle Tall Lav Faucet less Pop Up	152
115	IXA SOFT	T31440-WL	Lav Faucets	Ixa Soft Single Handle Wall Mount Lav Faucet Trim Only	154
116	IXA SOFT	T852440	Lav Faucets	Ixa Soft In-Wall Shower only Trim	156
117	IXA SOFT	T853440	Lav Faucets	Ixa Soft In-Wall Tub & Shower Trim with Push-Button Diverter	157
118	IXA JIVE	44025-SQ	Lav Faucets	Ixa Jive Single Handle Lav Faucet with Pop Up	158
119	IXA JIVE	44025-SQ-LPU	Lav Faucets	Ixa Jive Single Handle Lav Faucet less Pop Up	160
120	IXA JIVE	44025-SQ-P	Lav Faucets	Ixa Jive Single Handle Tall Lav Faucet less Pop Up	162
121	IXA JIVE	T31440-WL-SQ	Lav Faucets	Ixa Jive Single Handle Wall Mount Lav Faucet Trim Only	164

S. No.	Product	Sku Code	Category	Description	P. No.
122	IXA JIVE	T852440-SQ	Tub & Shower	Ixa Jive In-Wall Shower only Trim	166
123	IXA JIVE	T853440-SQ	Tub & Shower	Ixa Jive In-Wall Tub & Shower Trim with Push-Button Diverter	167
124	IXA FLEX	44025-LP	Lav Faucets	Ixa Flex Single Handle Lav Faucet with Pop Up	168
125	IXA FLEX	44025-LP-LPU	Lav Faucets	Ixa Flex Single Handle Lav Faucet less Pop Up	170
126	IXA FLEX	44025-LP-P	Lav Faucets	Ixa Flex Single Handle Tall Lav Faucet less Pop Up	172
127	IXA FLEX	T31440-WL-LP	Lav Faucets	Ixa Flex Single Handle Wall Mount Lav Faucet Trim Only	174
128	IXA FLEX	T852440-LP	Tub & Shower	Ixa Flex In-Wall Shower only Trim	176
129	IXA FLEX	T853440-LP	Tub & Shower	Ixa Flex In-Wall Tub & Shower Trim with Push-Button Diverter	177
130	COMPLEMENTARY	IAOSD002	Accessories	Lilah Square Soap Dish	178
131	COMPLEMENTARY	IAOTB001	Accessories	Round Tumbler Holder	179
132	COMPLEMENTARY	IAOTB002	Accessories	Square Tumbler Holder	180
133	COMPLEMENTARY	BT001	Fittings & Allied	1 Way Bib Tap	181
134	COMPLEMENTARY	BT002	Fittings & Allied	2 Way Bib Tap	182
135	COMPLEMENTARY	IAOBT200	Fittings & Allied	Bottle Trap 200mm	183
136	COMPLEMENTARY	IAOBT300	Fittings & Allied	Bottle Trap 300mm	184
137	COMPLEMENTARY	RP60672	Showering	Square 9.5" Wall Mount Showerarm with Flange	185
138	COMPLEMENTARY	RP60674	Showering	Square 16" Wall Mount Showerarm with Flange	186
139	COMPLEMENTARY FOR DELTA	590-PLGHDF	Commercial	Complementary Commercial Allied	187
140	COMPLEMENTARY FOR DELTA	590TP1120	Commercial	Complementary Commercial Lav Faucet with Proximity (Riser)	189
141	COMPLEMENTARY FOR DELTA	55051	Showering	Handshower Single Function with Hose and Bracket only	191
142	COMPLEMENTARY FOR DELTA	55085	Showering	Handshower Single Function with Hose and Bracket only	192
143	COMPLEMENTARY FOR DELTA	55433	Showering	3-Function Handshower with H2Okinetic less Hose and Bracket	193
144	COMPLEMENTARY FOR DELTA	ISP00003	Showering	Jetted Shower Column	194
145	COMPLEMENTARY FOR DELTA	ISP00004	Showering	Shower Column	196
146	COMPLEMENTARY FOR DELTA	R50001	Showering	Round Body Spray Rough only with H2Okinetic	198
147	COMPLEMENTARY FOR DELTA	50101	Showering	Body Jet h2o Kinetic	199
148	COMPLEMENTARY FOR DELTA	S350-CH	Showering	Handshower Single Function with Hose and Bracket only	200
149	COMPLEMENTARY FOR DELTA	T50001	Showering	Round Body Spray Trim with H2Okinetic	201
150	COMPLEMENTARY FOR DELTA	T50050	Showering	Body Spray Trim with H2Okinetic	202
151	COMPLEMENTARY FOR DELTA	ITS61230	Tub & Shower	Tub Spout without Diverter without Flange	203



S. No.	Product	Sku Code	Category	Description	P. No.
152	COMPLEMENTARY FOR DELTA	ITS62230	Tub & Shower	Tub Spout with Diverter to Handshower without Flange	204
153	COMPLEMENTARY FOR DELTA	R85400	Tub & Shower	VALVE	205
154	COMPLEMENTARY FOR DELTA	R10000-UNBX	Tub & Shower	MultiChoice Universal Tub and Shower Valve Rough only, Medium Flow (Single Piece)	206
155	COMPLEMENTARY FOR DELTA	R11000	Tub & Shower	Rough only with 3/6 Setting Diversion	207
156	COMPLEMENTARY FOR DELTA	R4707	Tub & Shower	Delta Rough only 4-Hole Tub Filler	208
157	COMPLEMENTARY FOR DELTA	R85200	Tub & Shower	Shower only Mixing Valve Rough-in	210
158	COMPLEMENTARY FOR DELTA	R85300	Tub & Shower	Rough only Mixing Valve, Medium Flow with Push-Button Diverter	211
159	FUSE	9158-SB-DST	Kitchen Faucets	Fuse Pull-Down Kitchen Faucet	212
160	FUSE	9158-SR-DST	Kitchen Faucets	Fuse Pull-Down Kitchen Faucet	213
161	FUSE	9158-SW-DST	Kitchen Faucets	Fuse Pull-Down Kitchen Faucet	215
162	FUSE	980T-DST	Kitchen Faucets	Pilar Pull-Down Kitchen Faucet with Touch2O	217

# BRIZO

S. No.	Product	SKU Code	Category	Description	P. No.
1	VUELO	64355LF-SSCO	Kitchen Faucets	Vuelo Pull-Down Kitchen Faucet with SmartTouch	220
2	LOKI	65172LF-BN	Lav Faucets	Loki Single Hole 2-Handle Lav Faucet	222
3	CHARLOTTE	697085-PNCO	Accessories	Charlotte Light Sconce	224
4	CHARLOTTE	698085-PNCO	Accessories	Charlotte Wall Mirror	225
5	CHARLOTTE	65085LF-PNCO	Lav Faucets	Charlotte Single Handle Lav Faucet less Pop Up	226
6	CHARLOTTE	65385LF-PNCOLHP	Lav Faucets	Charlotte 2-Handle Deck Mount Lav Faucet without Handle Trim	227
7	CHARLOTTE	65685LF-PNCO	Lav Faucets	Charlotte Lav Faucet with Smart Touch Plus	228
8	CHARLOTTE	65885LF-PNCOLHP	Lav Faucets	Charlotte 2-Handle Wall Mount Lav Faucet without Handle Trim	229
9	CHARLOTTE	HL5885-PNCO	Lav Faucets	Charlotte 2-Handle Wall Mount Lav Faucet Handle Trim Only	230
10	CHARLOTTE	85785	Showering	Charlotte Handshower with Slide Bar	231
11	CHARLOTTE	85885-PNCO	Showering	Charlotte Handshower with Hose and Wall Elbow	232
12	CHARLOTTE	R60700	Tub & Shower	Rough only with 3-Port, 6-Setting Diversion	233
13	CHARLOTTE	T60085-BN	Tub & Shower	Charlotte TempAssure Thermostatic Valve Trim	234
14	CHARLOTTE	T60485-PNCO	Tub & Shower	Charlotte Bundled Tub & Shower with Temp Assure Thermostatic Medium-Flow Trim	235
15	CHARLOTTE	T60985-PNCO	Tub & Shower	Charlotte 6-Setting Diverter Trim	236
16	CHARLOTTE	T66685-PNCO	Tub & Shower	Charlotte High Flow Volume Control valve trim	237
17	CHARLOTTE	T66T085-PNCO	Tub & Shower	Charlotte High Flow Thermostatic valve trim	238
18	RSVP	69966-PC	Accessories	RSVP Candle Sconce	239
19	RSVP	69970-PC	Accessories	RSVP Light Sconce	240
20	RSVP	65390LF-PCLHP	Lav Faucets	RSVP 2-Handle Deck Mount Lav Faucet without Handle Trim	241
21	RSVP	65890LF-PCLHP	Lav Faucets	RSVP 2-Handle Wall Mount Lav Faucet without Handle Trim	243
22	RSVP	RP47958PC	Lav Faucets	RSVP Crystal Finial for Lav Faucet	244
23	RSVP	RP48903PC	Lav Faucets	RSVP Blue Glass Finial for Lav Faucet	246
24	RSVP	89710-PC	Showering	RSVP Single Function Slide Bar Handshower	247
25	RSVP	T60090-PC	Tub & Shower	RSVP TempAssure Thermostatic Valve Trim	248
26	RSVP	T60490-PC	Tub & Shower	RSVP Bundled Tub & Shower with TempAssure Thermostatic Trim and 3-Function Showerhead	250
27	RSVP	T60890-PC	Tub & Shower	RSVP 3-Setting Diverter Trim	251
28	RSVP	T60990-PC	Tub & Shower	RSVP 6-Setting Diverter Trim	252
29	RSVP	T66690-PC	Tub & Shower	RSVP High Flow Volume Control Trim	253

S. No.	Product	SKU Code	Category	Description	P. No.
30	RSVP	T66T090-PC	Tub & Shower	RSVP Hi flow Thermostatic trim	254
31	VIRAGE	697030-PN	Accessories	Virage Light Sconce	255
32	VIRAGE	698030-PN	Accessories	Virage Wall Mirror	256
33	VIRAGE	65330LF-PN	Lav Faucets	Virage 2-Handle Deck Mount Lav Faucet	257
34	VIRAGE	65830LF-PN	Lav Faucets	Virage 2-Handle Wall Mount Lav Faucet	258
35	VIRAGE	RP62605PC	Tub & Shower	Virage Tub Spout with Pull-Down Diverter to Showerhead	259
36	VIRAGE	T60030-BZ	Tub & Shower	Virage TempAssure Thermostatic Valve Trim	260
37	VIRAGE	T60030-PN	Tub & Shower	Virage TempAssure Thermostatic Valve Trim	261
38	VIRAGE	T60430-PN	Tub & Shower	Virage Bundled Tub & Shower with TempAssure Thermostatic Trim	263
39	VIRAGE	T60930-PN	Tub & Shower	Virage 6-Setting Diverter Trim	264
40	VIRAGE	T66630-PN	Tub & Shower	Virage High Flow Volume Control Valve trim	265
41	VIRAGE	T66T030-PN	Tub & Shower	Virage High Flow Thermostatic Valve trim	266
42	VIRAGE	T67430-PN	Tub & Shower	Virage 4-Hole Tub Filler Trim	267
43	SIDERNA	65380LF-PCLHP	Lav Faucets	Siderna 2-Handle Deck Mount Lav Faucet without Handle Trim	268
44	SIDERNA	65480LF-PC	Lav Faucets	Siderna Single Handle Tall Lav Faucet less Pop Up	269
45	SIDERNA	65880LF-PCLHP	Lav Faucets	Siderna 2-Handle Wall Mount Lav Faucet without Handle Trim	270
46	SIDERNA	T60080-PC	Tub & Shower	Siderna TempAssure Thermostatic Valve Trim	271
47	SIDERNA	T60480-BN	Tub & Shower	Siderna Bundled Tub & Shower with TempAssure Thermostatic Medium-Flow Trim	273
48	SIDERNA	T60980-BN	Tub & Shower	Siderna 6-Setting Diverter Trim	274
49	SIDERNA	T66680-PC	Tub & Shower	Siderna High Flow Volume Control Valve trim	275
50	SIDERNA	T66T080-PC	Tub & Shower	Siderna Hi Flow thermostatic trim only	276
51	ODIN	697075-PC	Accessories	Odin Light Sconce	277
52	ODIN	65375LF-PC	Lav Faucets	Odin 2-Handle Deck Mount Lav Faucet	278
53	ODIN	65475LF	Lav Faucets	Odin Single Handle Tall Lav Faucet with SmartTouchPlus	279
54	ODIN	65675LF-PC	Lav Faucets	Odin Single Handle Lav Faucet with SmartTouchPlus	280
55	ODIN	65875LF	Lav Faucets	Odin 2-Handle Wall Mount Lav Faucet	281
56	ODIN	88775	Showering	Odin Single Function Slide Bar Handshower with H2Okinetic	282
57	ODIN	T60075-PC	Tub & Shower	Odin Thermostatic MultiChoice Medium-Flow Valve Trim	283

# BRIZO

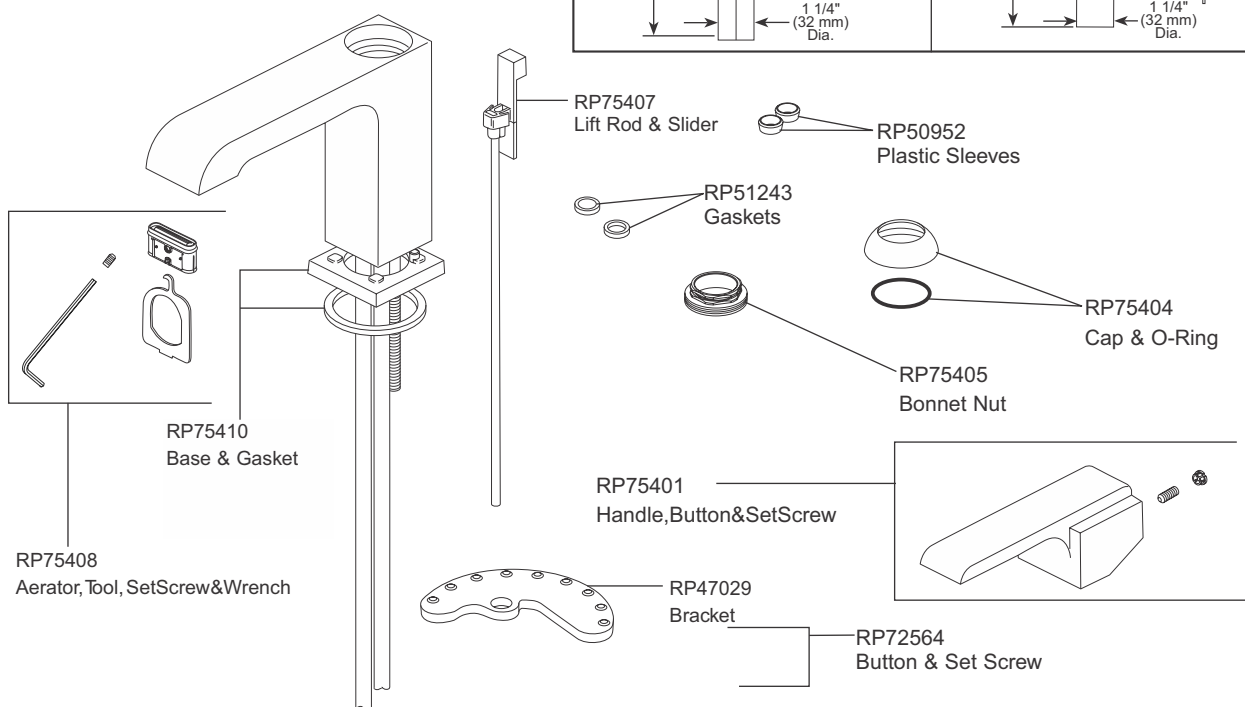
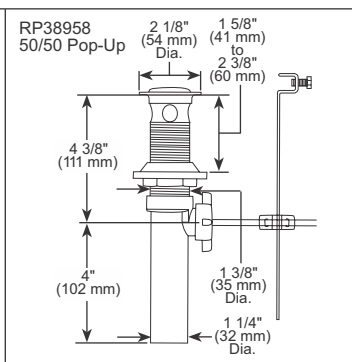
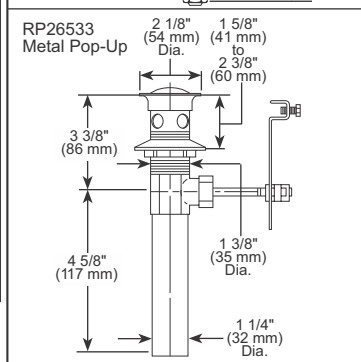
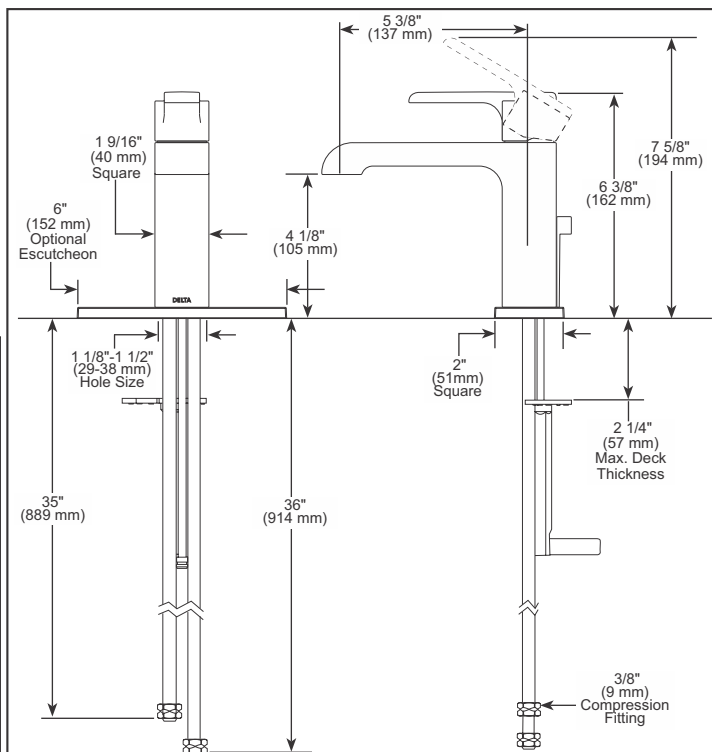
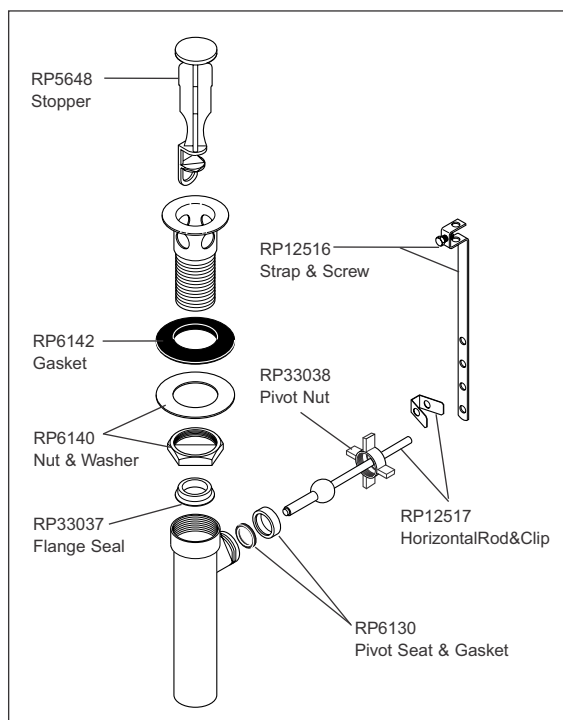
S. No.	Product	Sku Code	Category	Description	P. No.
58	ODIN	T60475	Tub & Shower	Odin Bundled Tub & Shower with TempAssure Thermostatic Medium-Flow Trim	285
59	ODIN	T60975-PC	Tub & Shower	Odin 6-Setting Diverter Trim	287
60	JASON WU FOR BRIZO	65475LF-BL	Lav Faucets	Jason Wu Single Handle Tall Lav Faucet with Touch	288
61	JASON WU FOR BRIZO	65675LF-BL	Lav Faucets	Jason Wu Single Handle Lav Faucet with SmartTouchPlus	290
62	JASON WU FOR BRIZO	88775	Showering	Jason Wu Handshower with Slide Bar with H2Okinetic	292
63	JASON WU FOR BRIZO	T66675	Tub & Shower	Jason Wu Sensori Volume Control Trim	293
64	JASON WU FOR BRIZO	T66T075	Tub & Shower	Jason Wu Sensori Thermostatic Valve Trim	294
65	COMPLEMENTARY FOR BRIZO	R84101	Showering	Round Body Spray Rough only	295
66	COMPLEMENTARY FOR BRIZO	T84101	Showering	Round Body Spray Trim with H2Okinetic	296
67	COMPLEMENTARY FOR BRIZO	R60000-UNBX	Tub & Shower	MultiChoice Universal Tub and Shower Valve Rough only	297
68	COMPLEMENTARY FOR BRIZO	R64707	Tub & Shower	Brizo Rough only for 4-Hole Bath Tub Filler	298
69	COMPLEMENTARY FOR BRIZO	R66000-WS	Tub & Shower	Sensori Hi-Flow Thermostatic Valve Rough only with Stops	300
70	COMPLEMENTARY FOR BRIZO	R66600	Tub & Shower	Sensori Volume Control Rough only	301
71	COMPLEMENTARY	R70100	Tub & Shower	Freestanding Tub Filler Rough Only	302
72	SOTRIA	65050LF	Lav Faucets	Sotria Single-Handle Lav Faucet with Pop-up with Regular Spout	303
73	SOTRIA	65350LF	Lav Faucets	Sotria 2-Handle Widespread Lavatory Faucet with Regular Spout and Pop Up	304
74	SOTRIA	88850	Showering	Sotria H2Okinetic Handshower with Hose & Wall-Mount Bracket with Integrated Elbow	305
75	SOTRIA	T60050	Tub & Shower	Sotria Tempassure Thermostatic Valve Trim	306
76	SOTRIA	T60850	Tub & Shower	Sotria 3-Setting Diverter Trim	307
77	SOTRIA	T60950	Tub & Shower	Sotria 6-Setting Diverter Trim	308
78	SOTRIA	T66650	Tub & Shower	Sotria Sensori Volume Control Trim	309
79	SOTRIA	T66T050	Tub & Shower	Sotria Sensori Thermostatic Valve Trim	310
80	SOTRIA	T70150	Tub & Shower	Sotria Freestanding Tub Filler with H2Okinetic Handshower	311



# Ara Single Handle Lav Faucet with Pop Up and Regular Spout

## 567LF-MPU

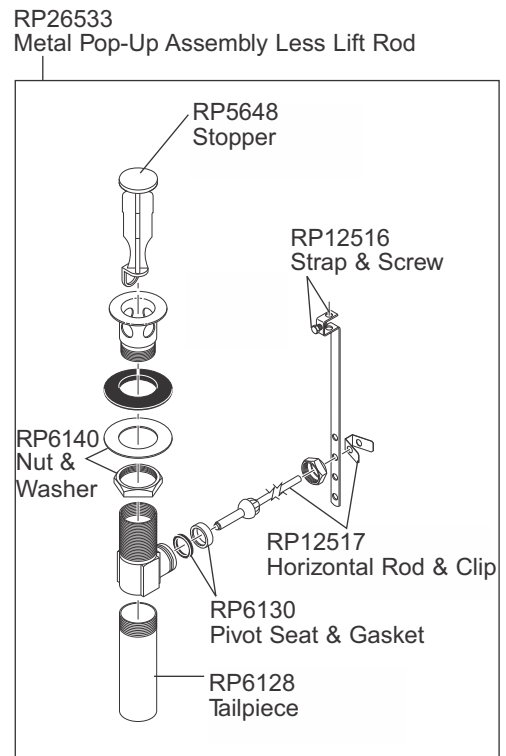
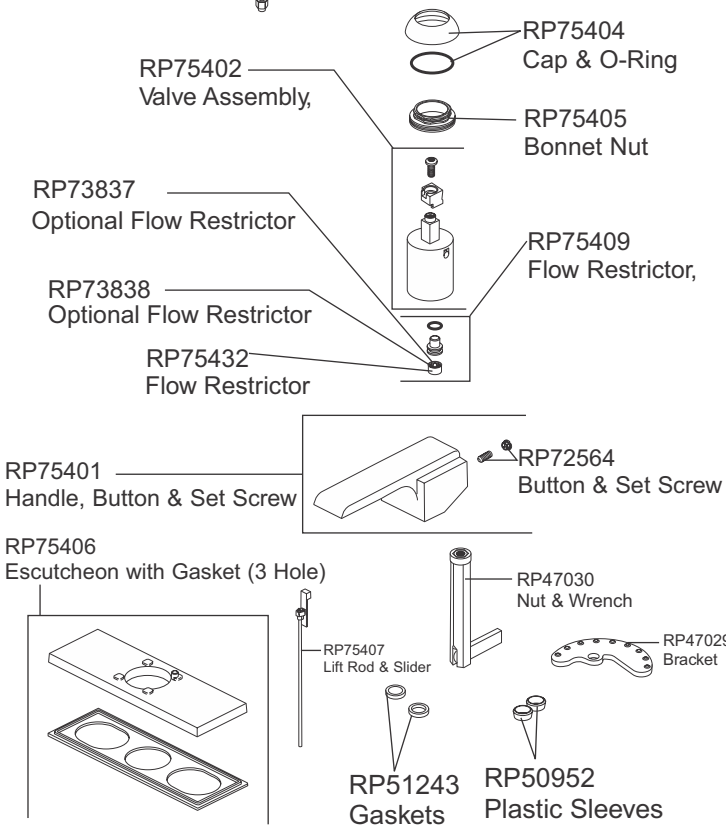
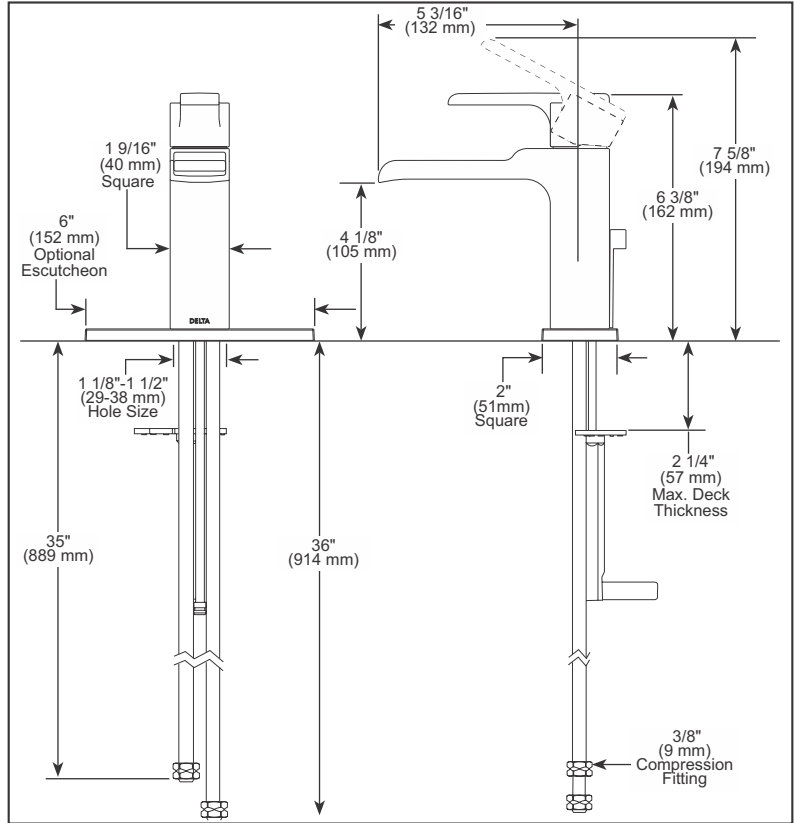
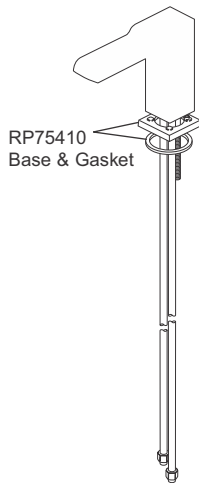
### Technical Specification Sheet



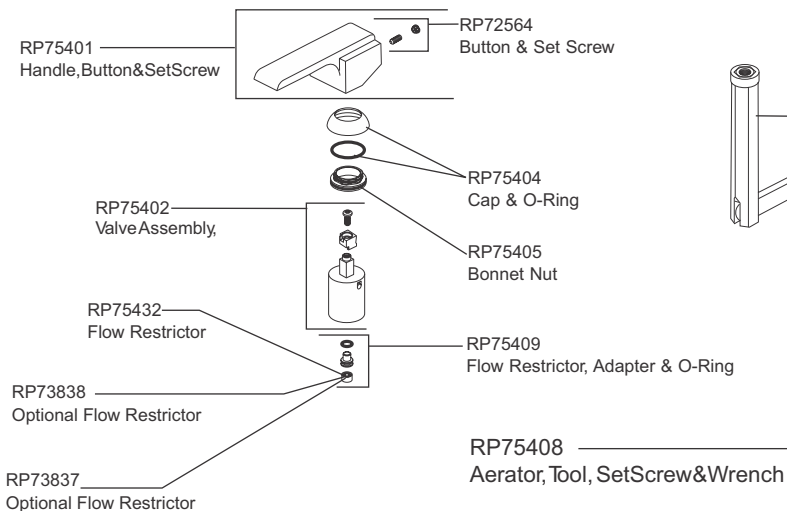
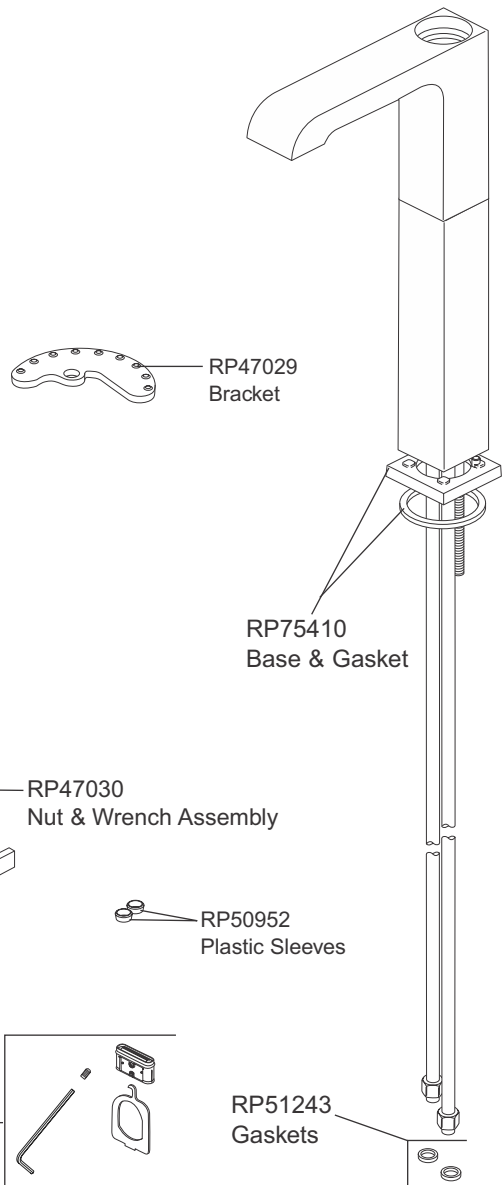
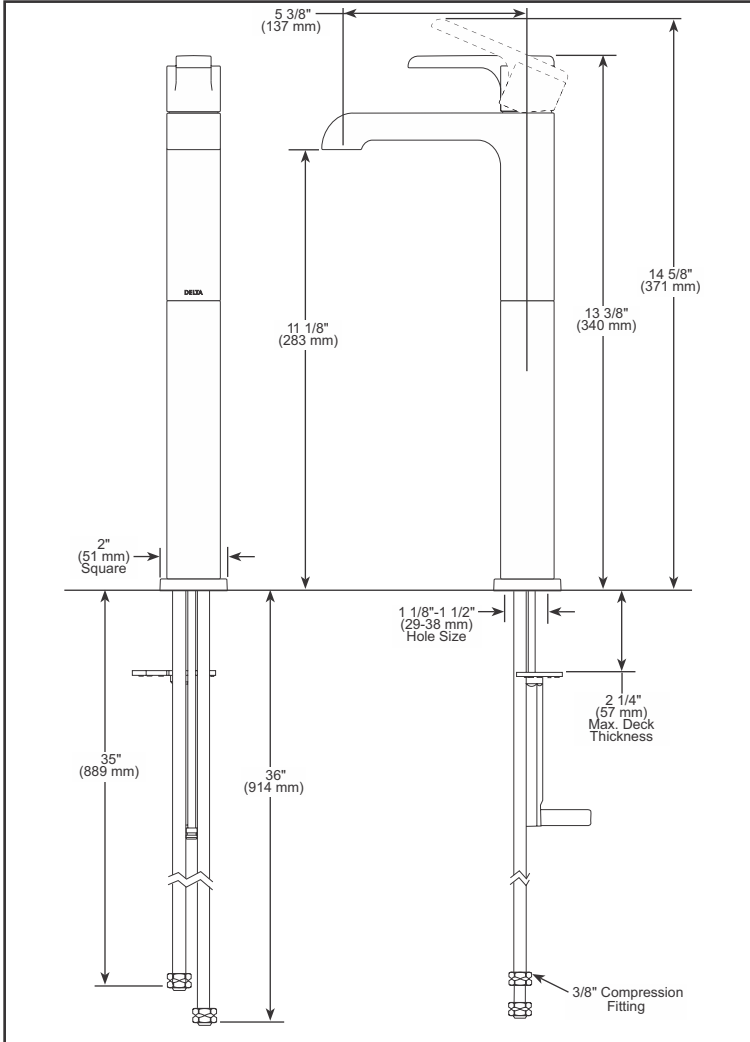
**Ara Single-Handle Lav Faucet with Pop-up with Channel Spout**

**568LF-MPU**

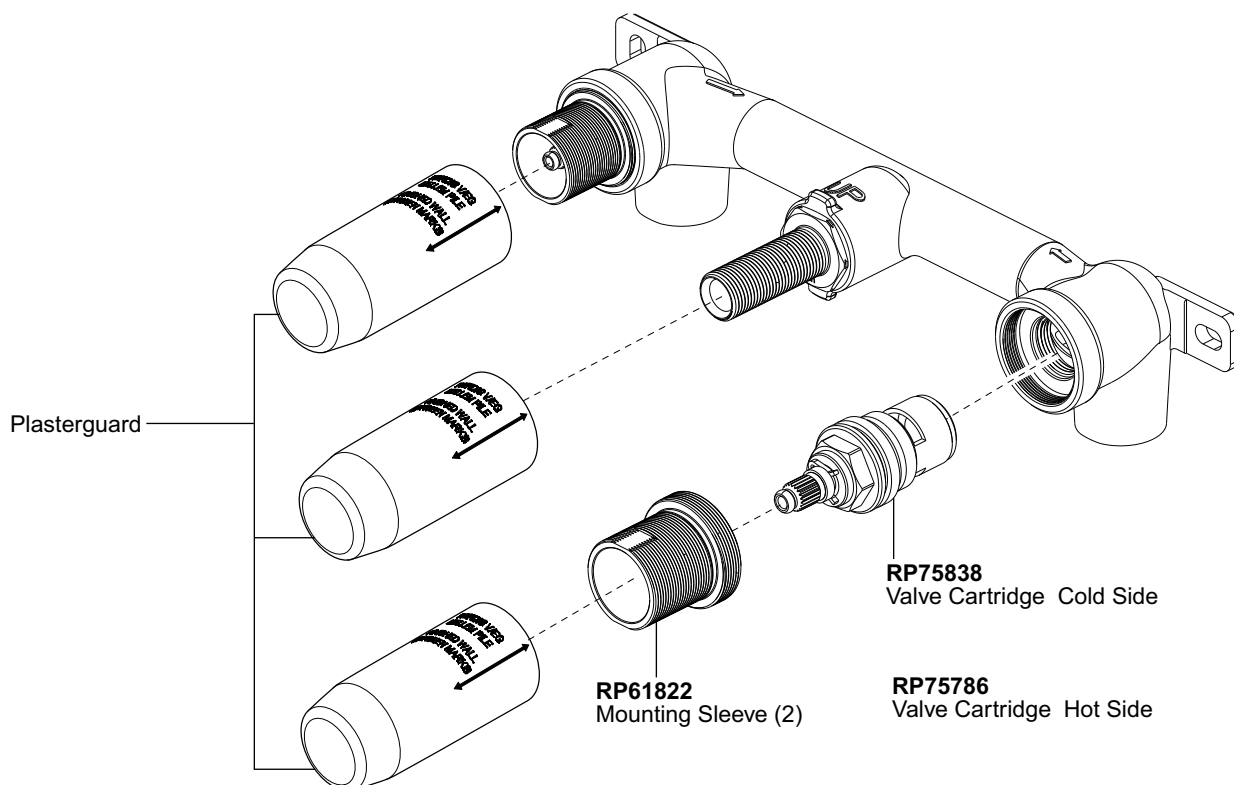
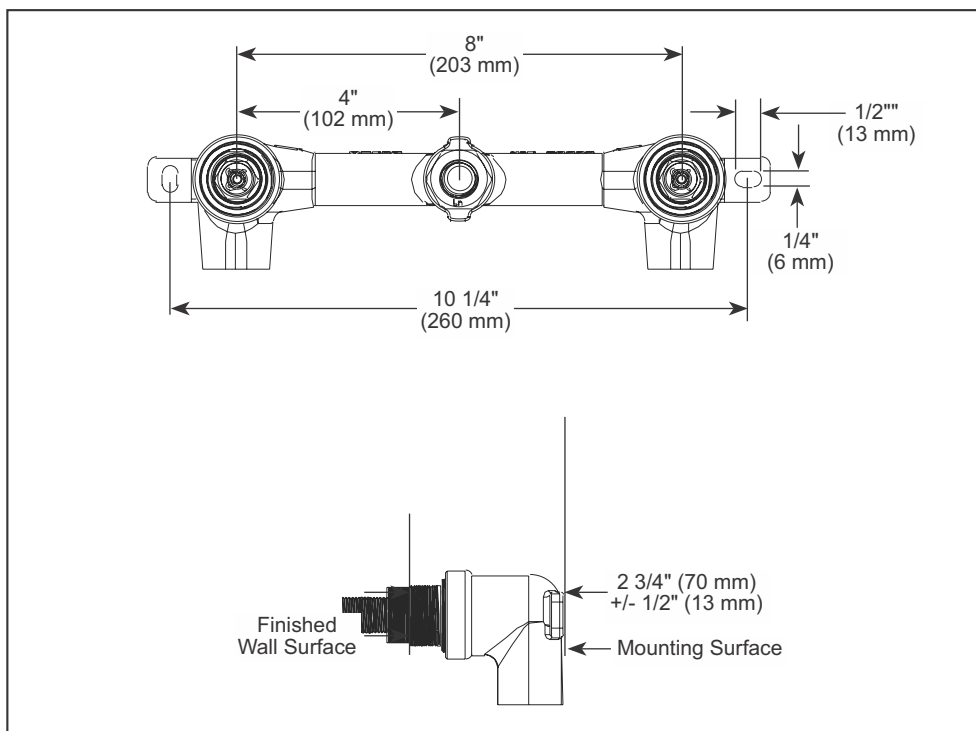
**Technical Specification Sheet**



Technical Specification Sheet

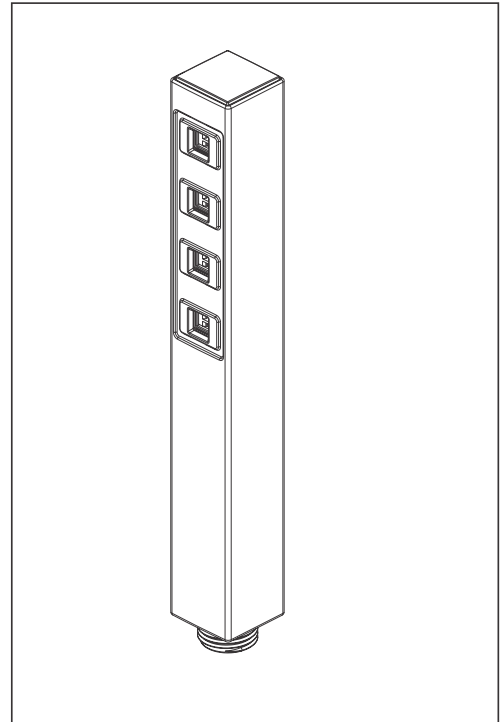
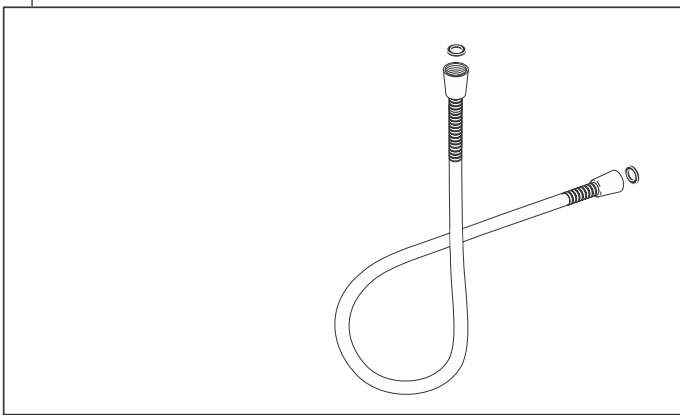
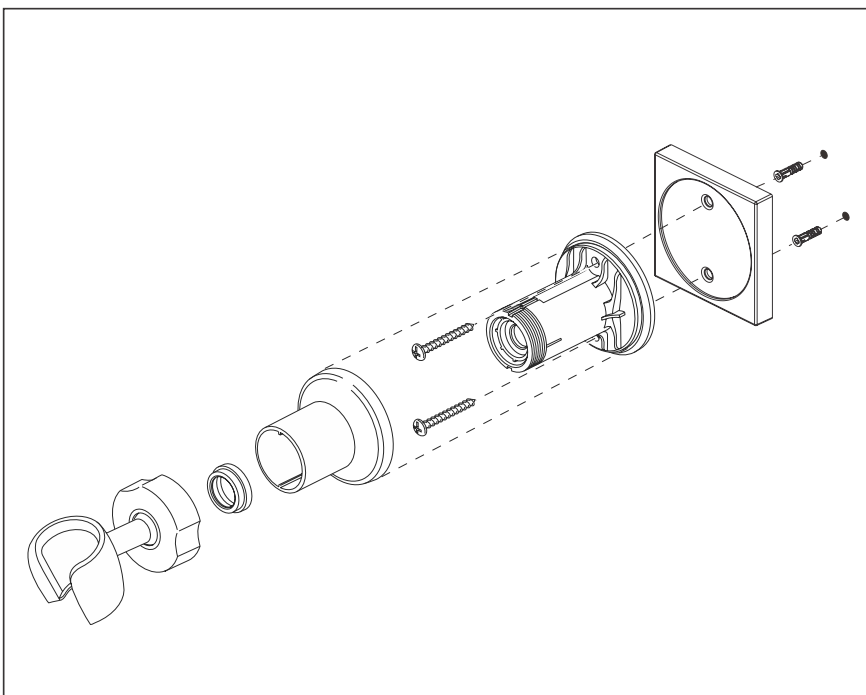


Technical Specification Sheet



## Ara H2Okinetic Handshower with Hose &amp; Bracket

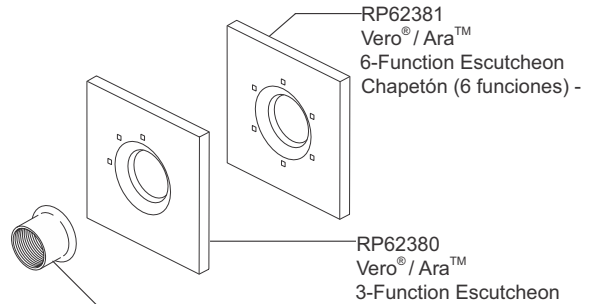
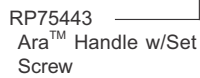
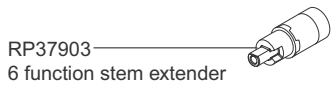
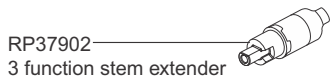
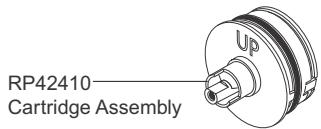
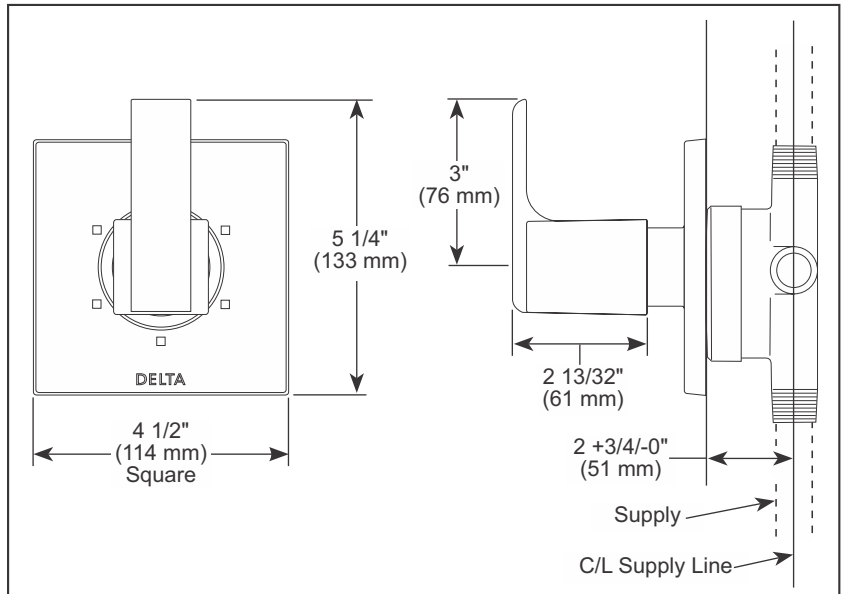
55567

RP64157  
Hose & Gaskets59567-PK  
HandshowerU4010-PK  
Handshower holder

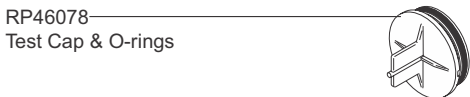
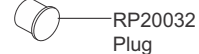
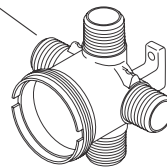
Ara 6-Setting Diverter Trim

T11967

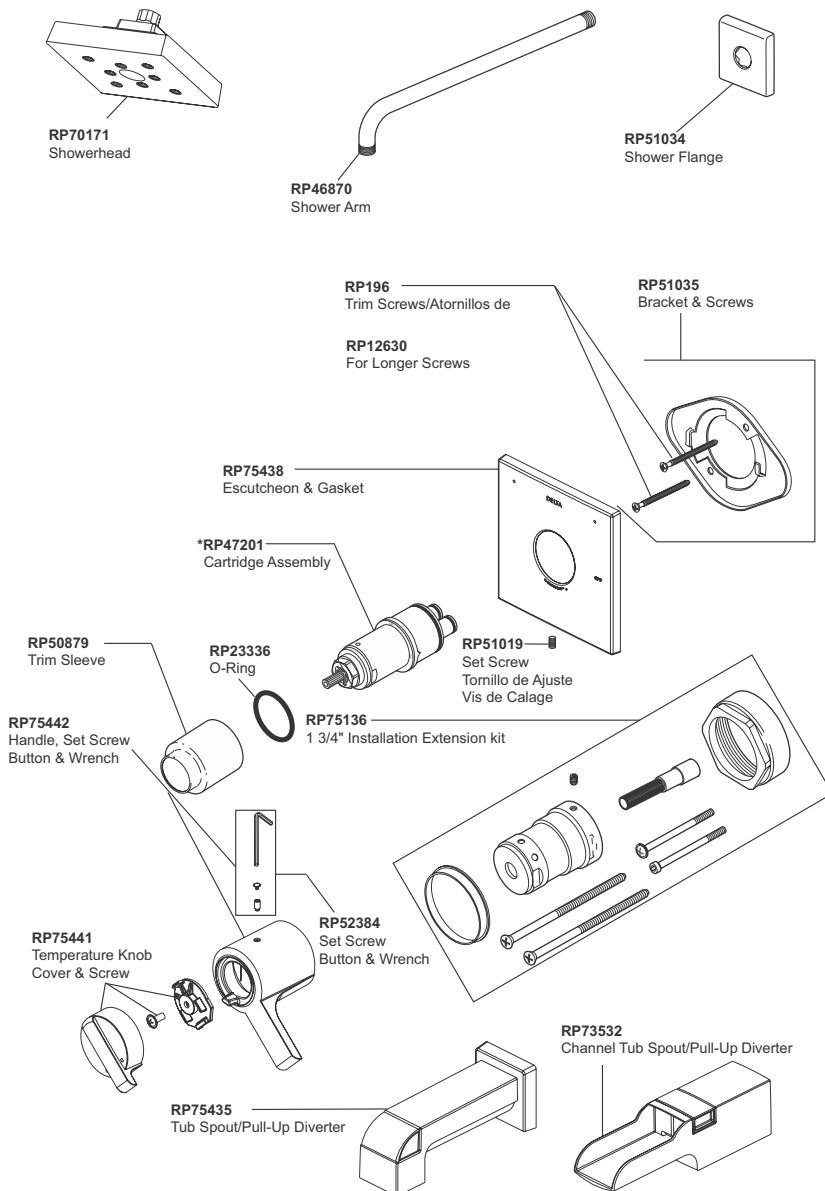
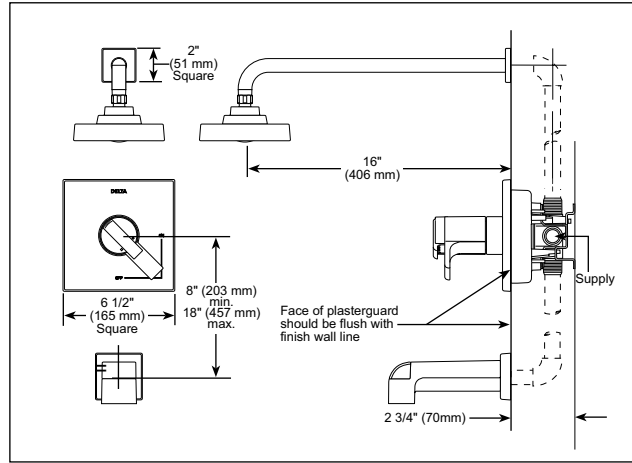
Technical Specification Sheet



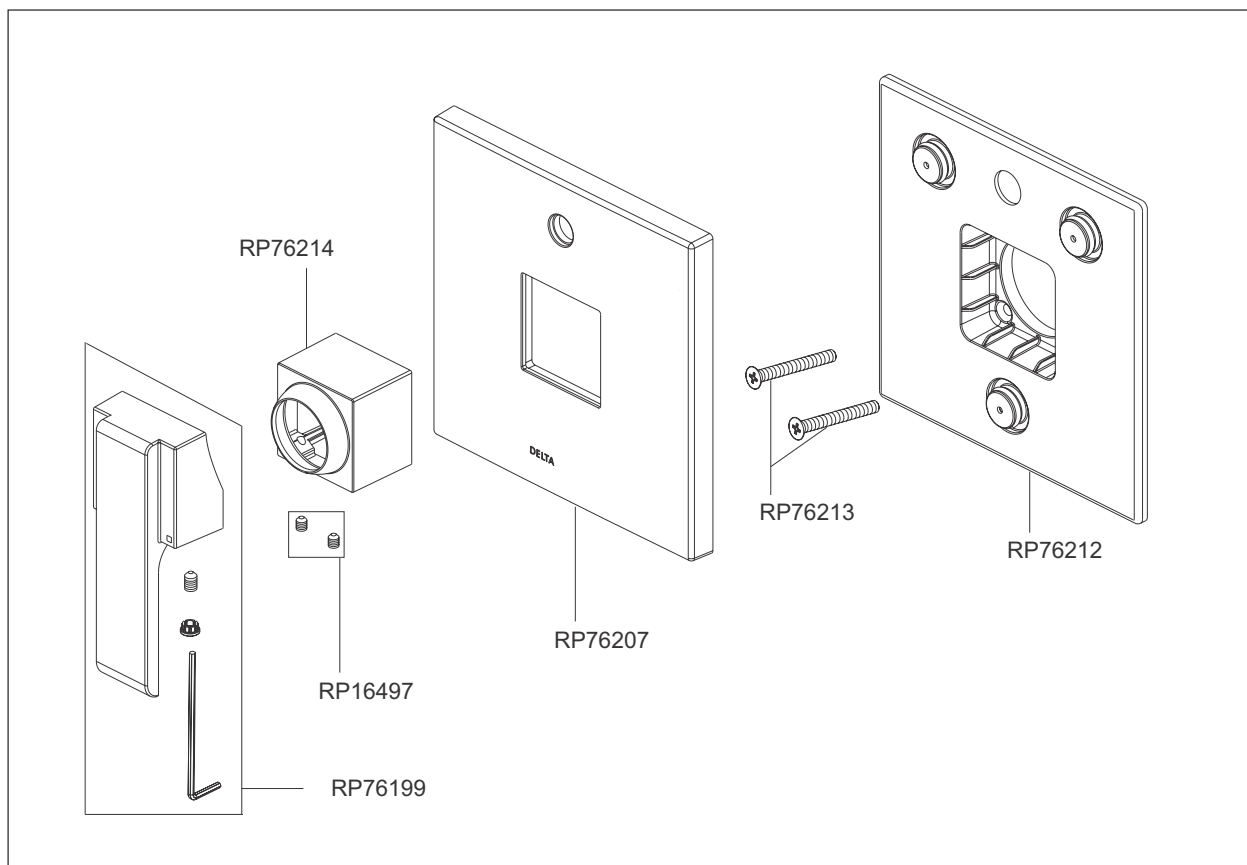
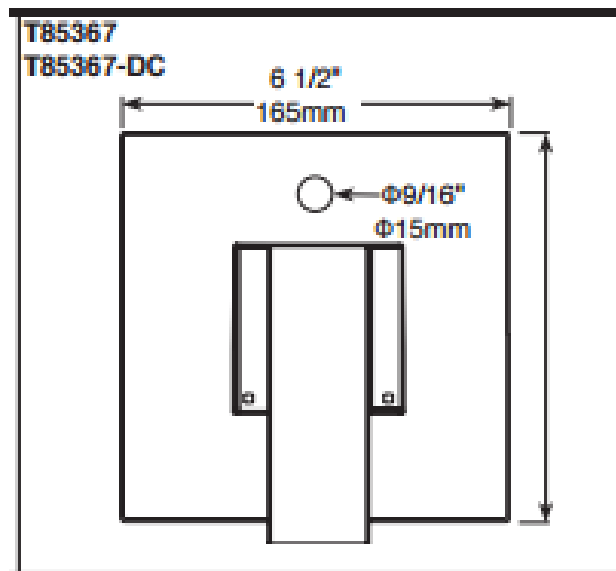
Body - 3 Port



Technical Specification Sheet



## Technical Specification Sheet

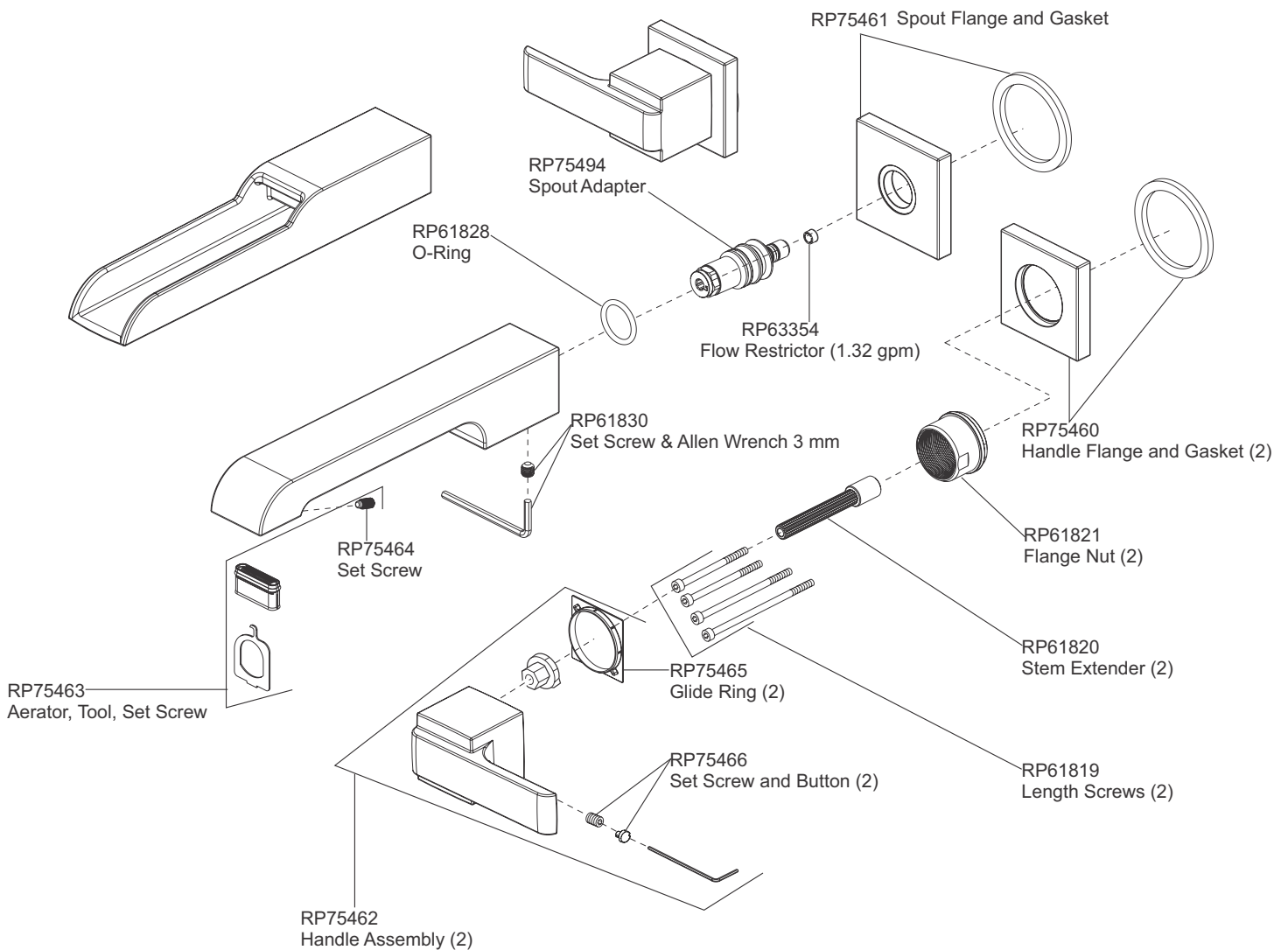
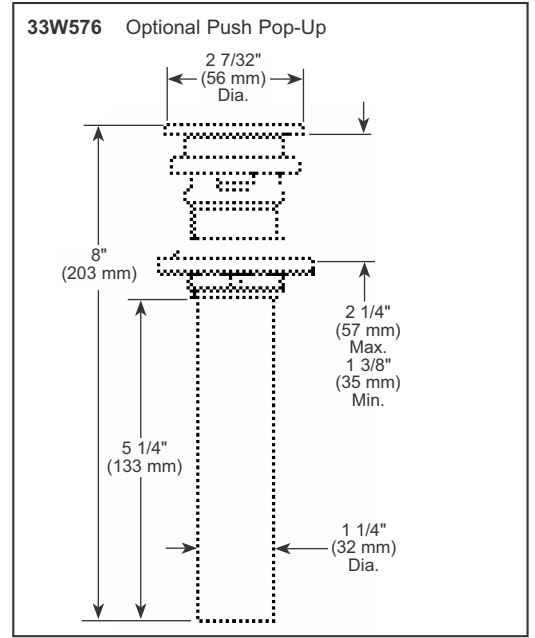
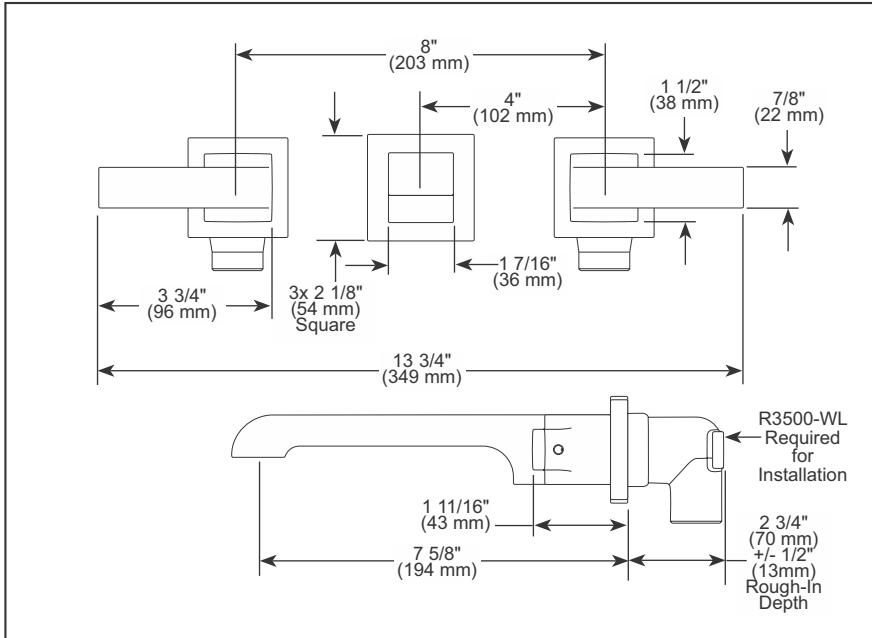




Two Handle wall mount with Full spout

T3567LF-WL

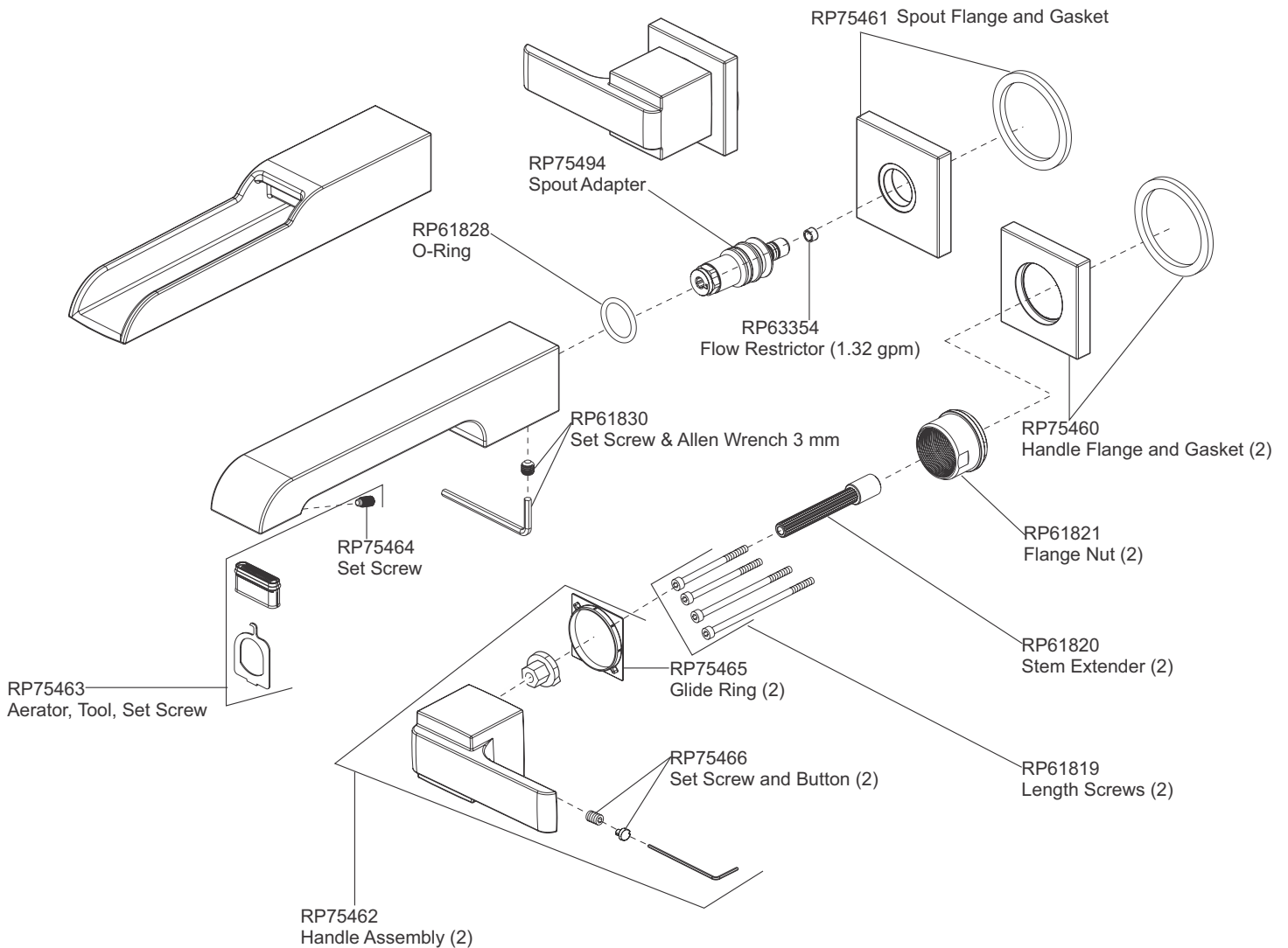
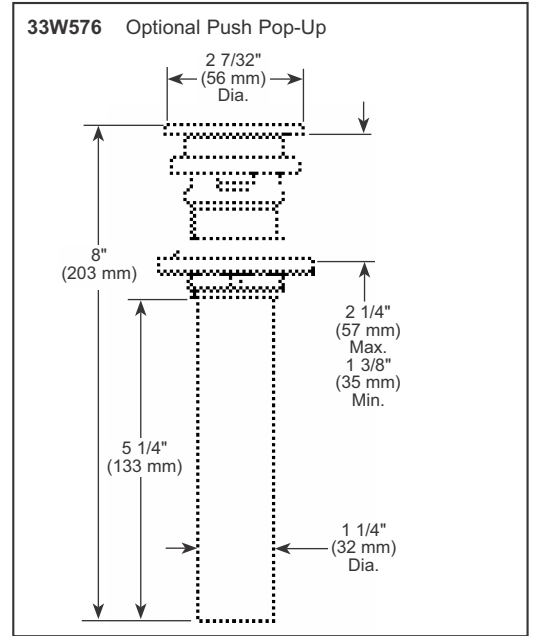
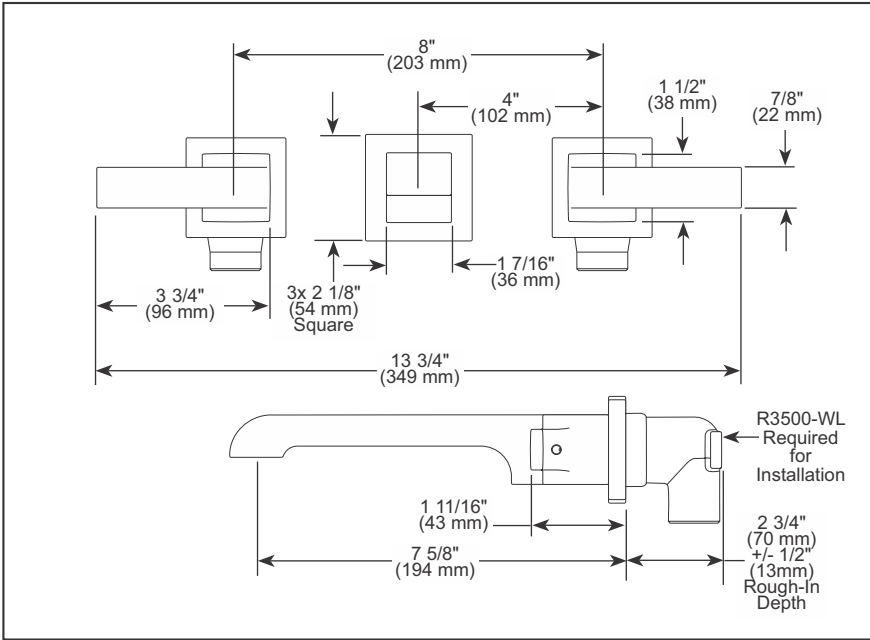
Technical Specification Sheet



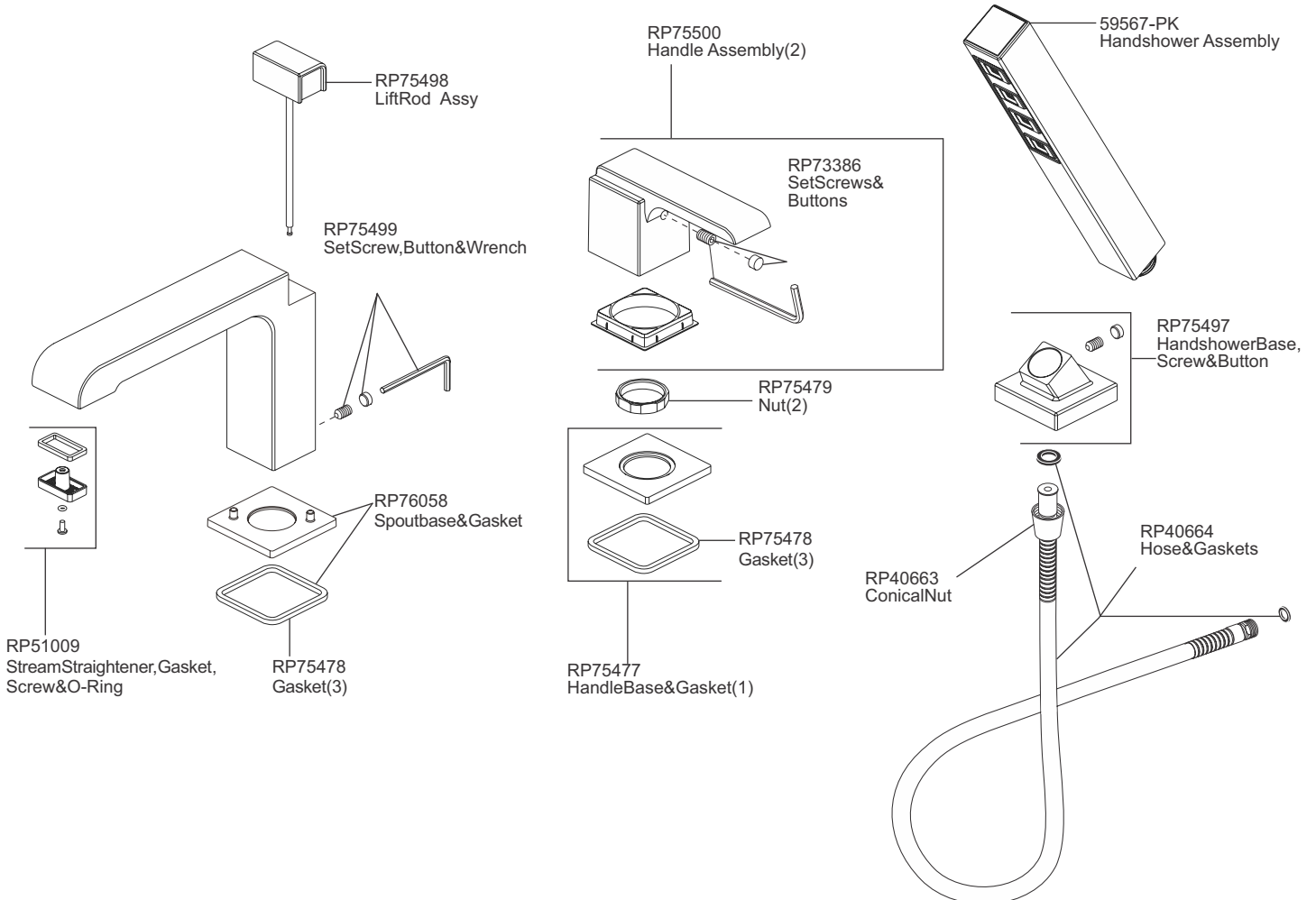
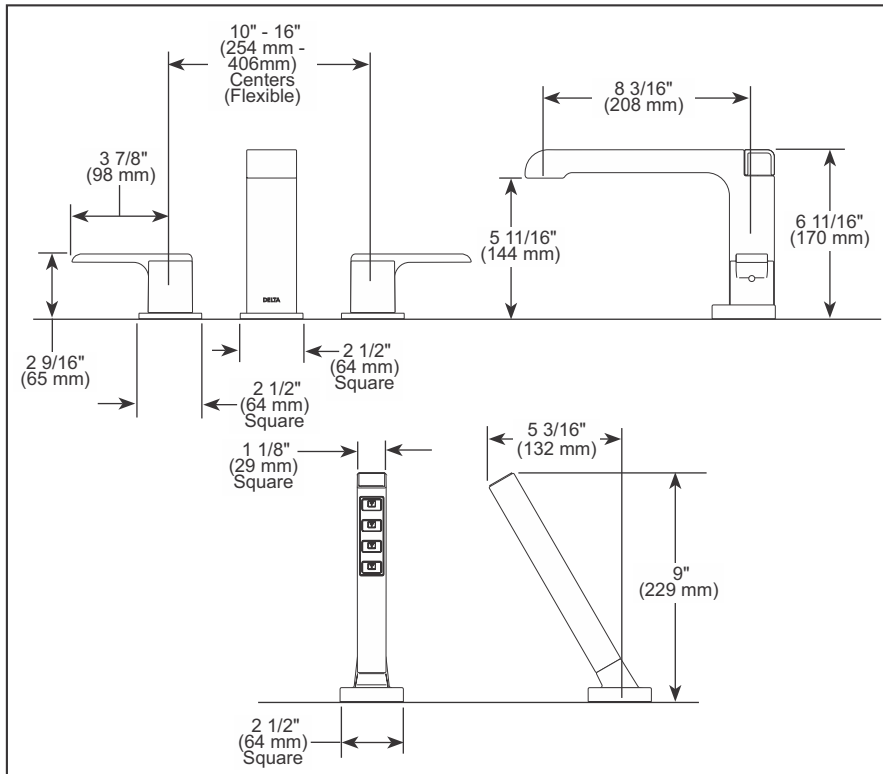
Ara Two Handle Wall Mount Chandel spout

T3568LF-WL

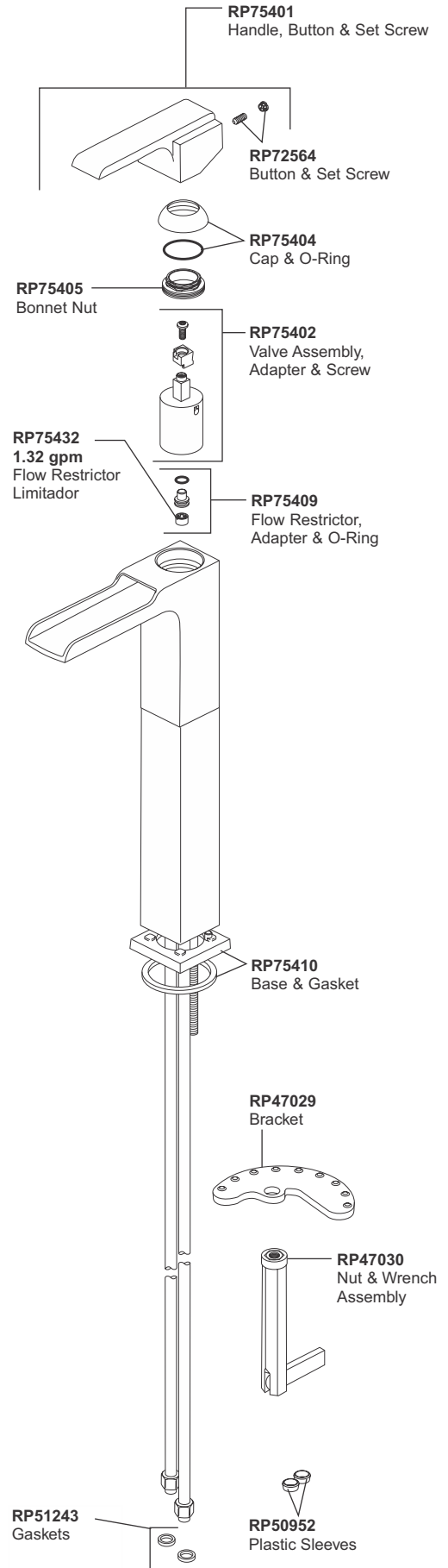
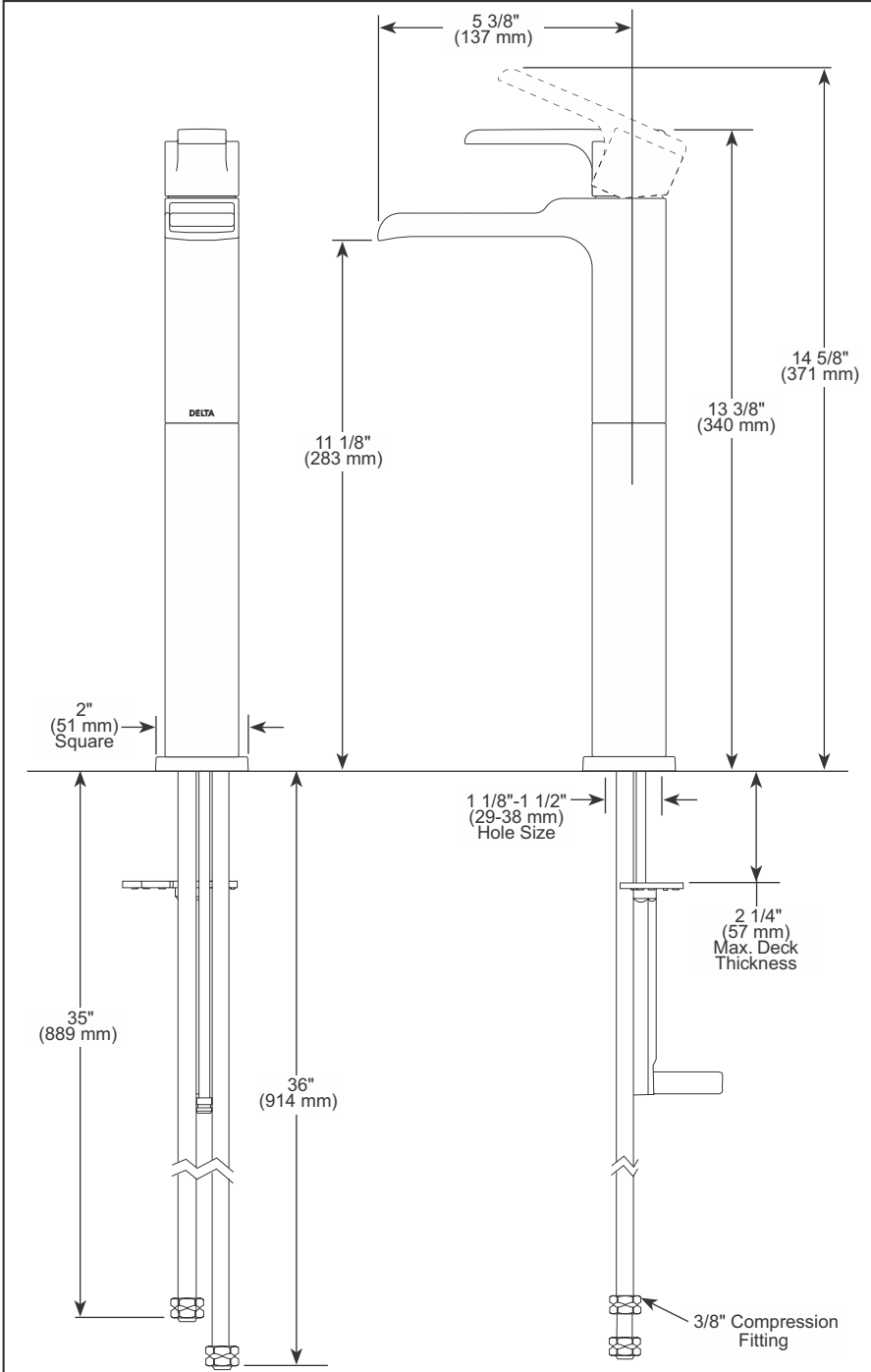
Technical Specification Sheet



Technical Specification Sheet



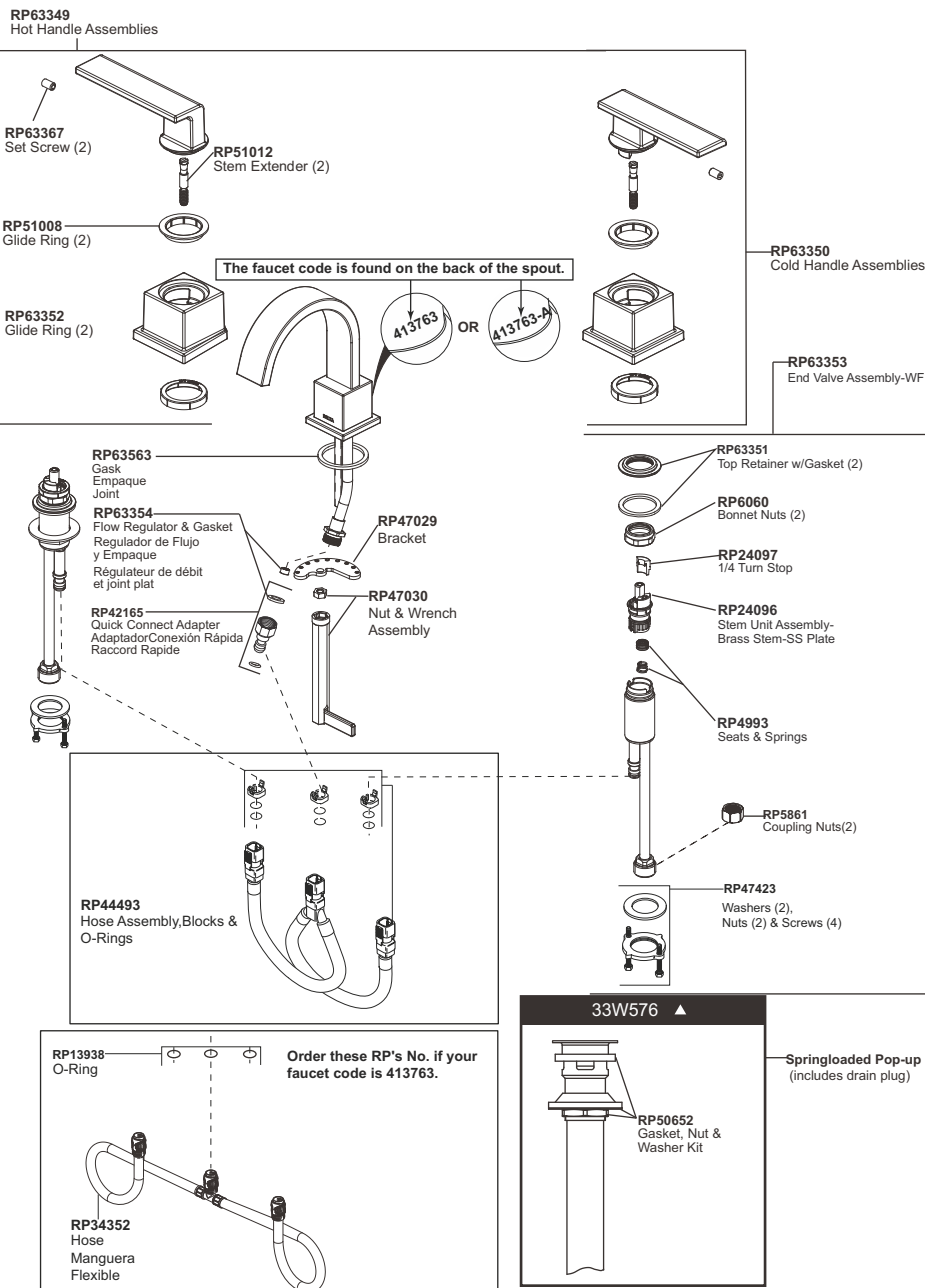
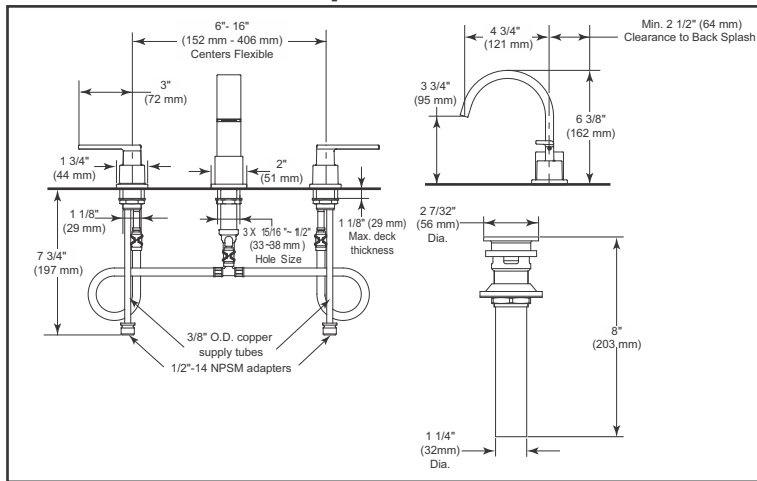
Technical Specification Sheet



**Vero 2-Handle Deck Mount Lav Faucet**

**3553LF**

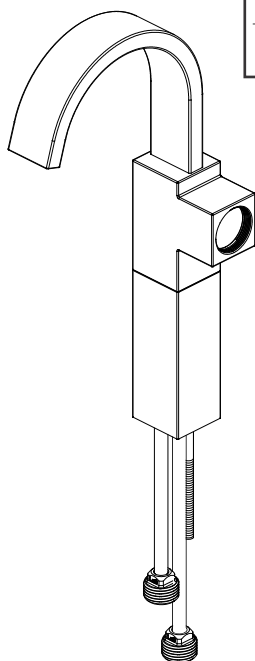
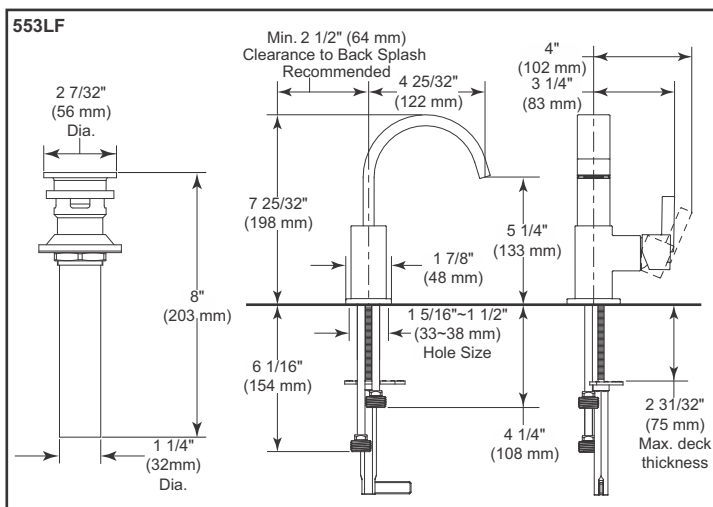
**Technical Specification Sheet**



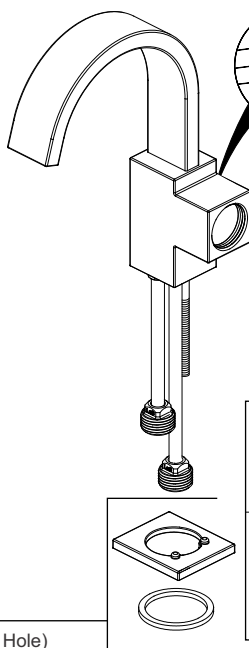
Vero 2-Handle Deck Mount Lav Faucet

553LF

Technical Specification Sheet

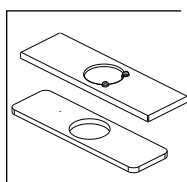


RP 63347 Flange & Gasket (1 Hole)



RP47029 Bracket

RP47030 Nut & Wrench Assembly



RP63970 Escutcheon with Gasket (3 Hole) for 553LF Series (not supplied)



The faucet code is found on the back of the faucet.

2 RP50265 Valve Cartridge



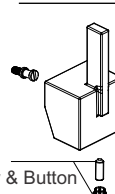
RP51737 Flow Restrictor, O-ring & Brass Insert  
Order this RP No. if your faucet code is 413763.

RP75248 Flow Restrictor, O-ring & Brass Insert  
Order this RP No. if your faucet code is 449918

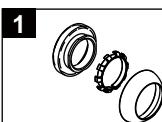
1 RP52665 Bonnet Nut & Cap  
Order this RP No. if your faucet code is 413763.



RP51095 Set Screw & Button

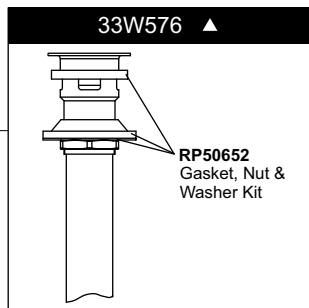


RP63348 Handle Kit



1 RP75249 Bonnet Nut, Clip & Cap  
Order this RP No. if your faucet code is 449918.

Springloaded Pop-up (For model 553LF only)

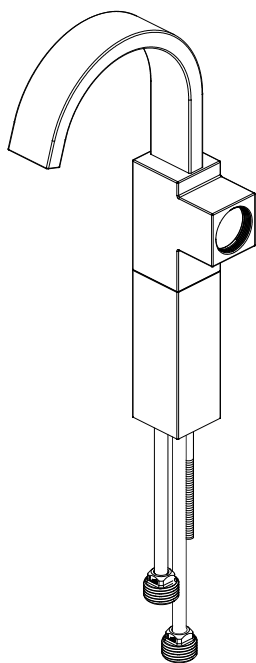
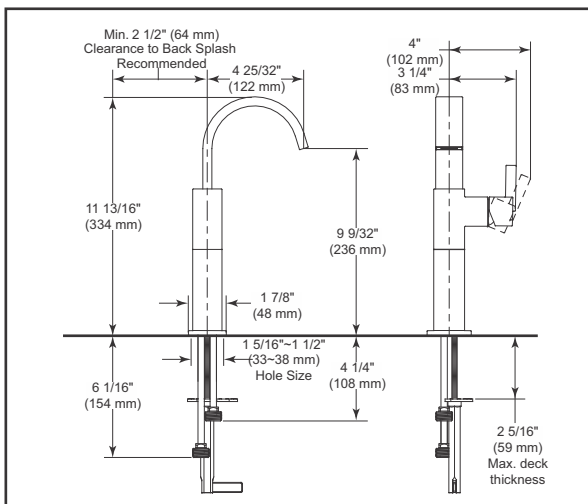


RP50652 Gasket, Nut & Washer Kit

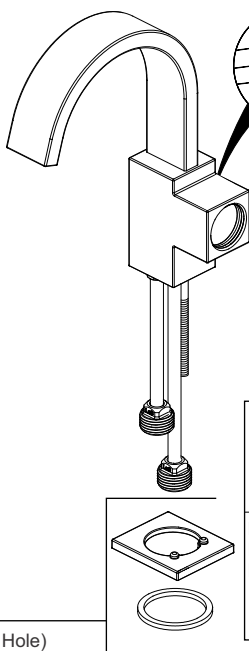
**Vero Single Handle Tall Lav Faucet less pop up**

**753LF**

**Technical Specification Sheet**



**RP 63347**  
Flange & Gasket (1 Hole)



The faucet code is found on the back of the faucet.

**2** **RP50265**  
Valve Cartridge

**3**

**RP51737**  
Flow Restrictor, O-ring & Brass Insert  
Order this RP No. if your faucet code is 413763.

**RP75248**  
Flow Restrictor, O-ring & Brass Insert  
Order this RP No. if your faucet code is 449918

**1** **RP52665**  
Bonnet Nut & Cap  
Order this RP No. if your faucet code is 413763.



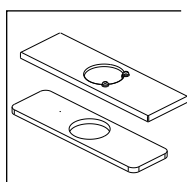
**RP51095**  
Set Screw & Button

**RP63348**  
Handle Kit

**RP47029**  
Bracket

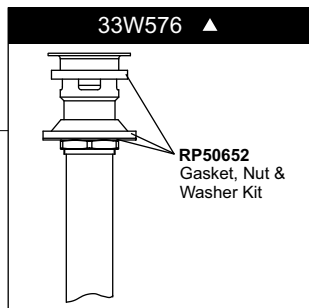
**RP47030**  
Nut & Wrench Assembly

**1**  
**RP75249**  
Bonnet Nut, Clip & Cap  
Order this RP No. if your faucet code is 449918.



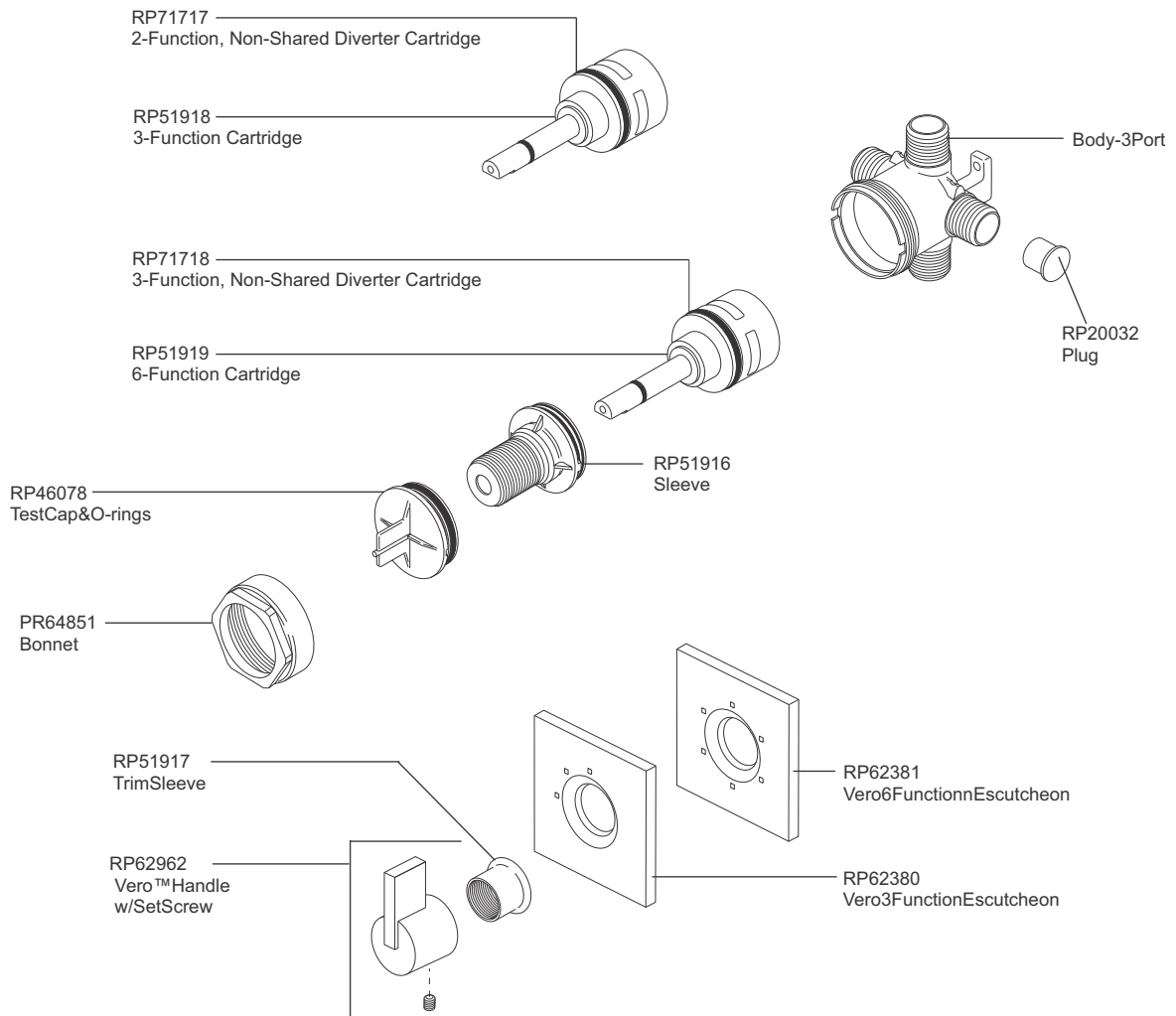
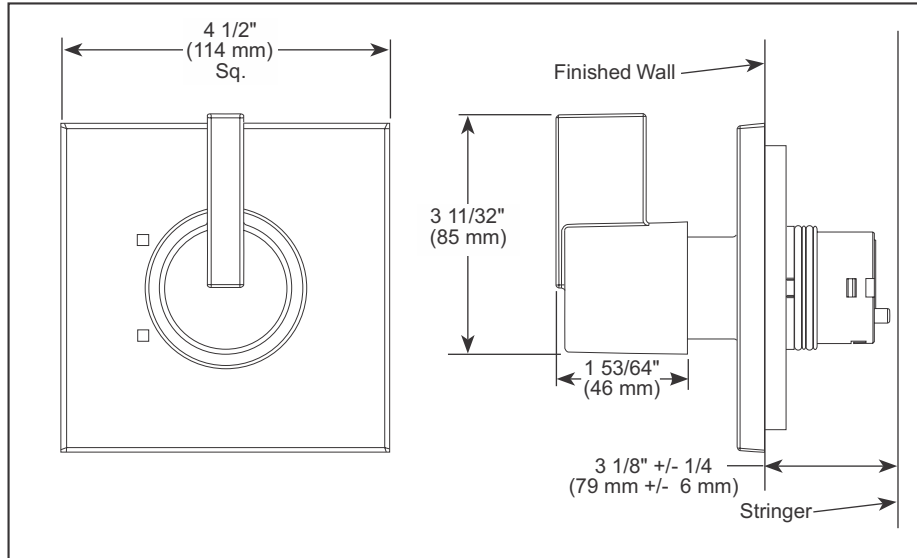
**RP63970**  
Escutcheon with Gasket (3 Hole)  
for 553LF Series (not supplied)

**Springloaded Pop-up**  
(For model 553LF only)



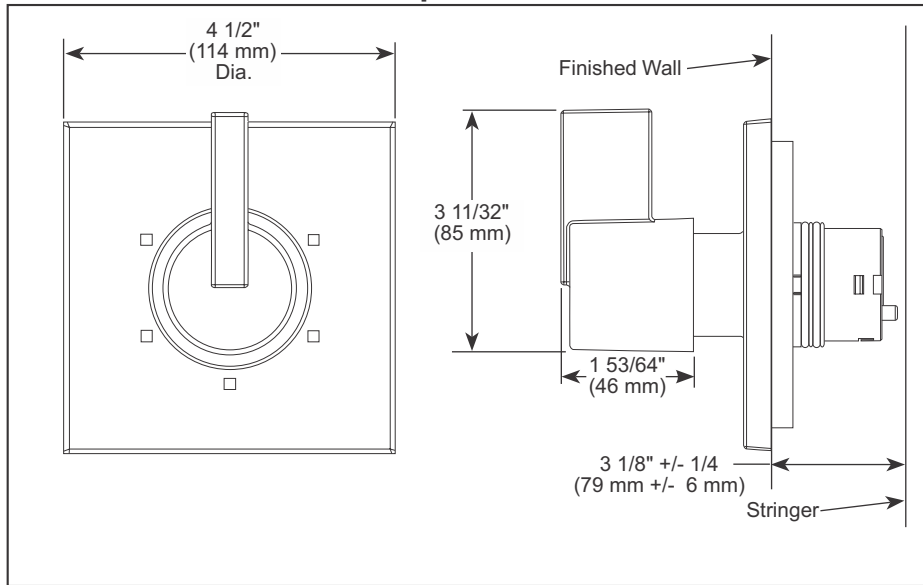
**RP50652**  
Gasket, Nut & Washer Kit

Technical Specification Sheet





Technical Specification Sheet



RP71717  
2-Function, Non-Shared Diverter Cartridge

RP51918  
3-Function Cartridge

RP71718  
3-Function, Non-Shared Diverter Cartridge

RP51919  
6-Function Cartridge

Body-3Port

RP20032  
Plug

RP46078  
TestCap&O-rings

RP51916  
Sleeve

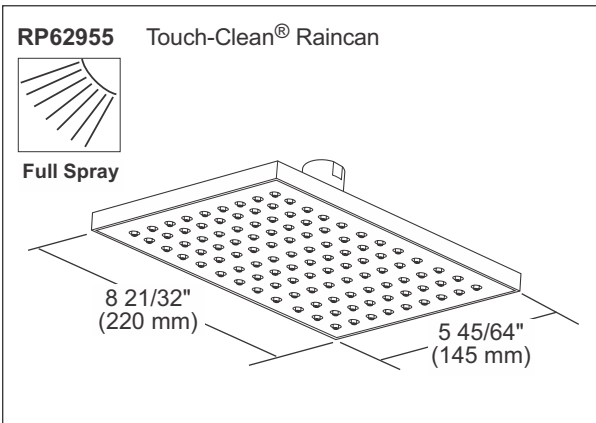
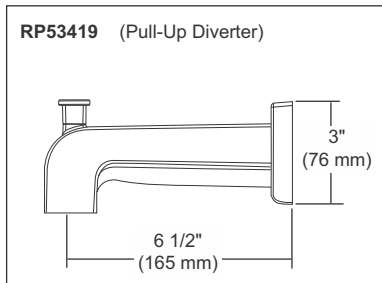
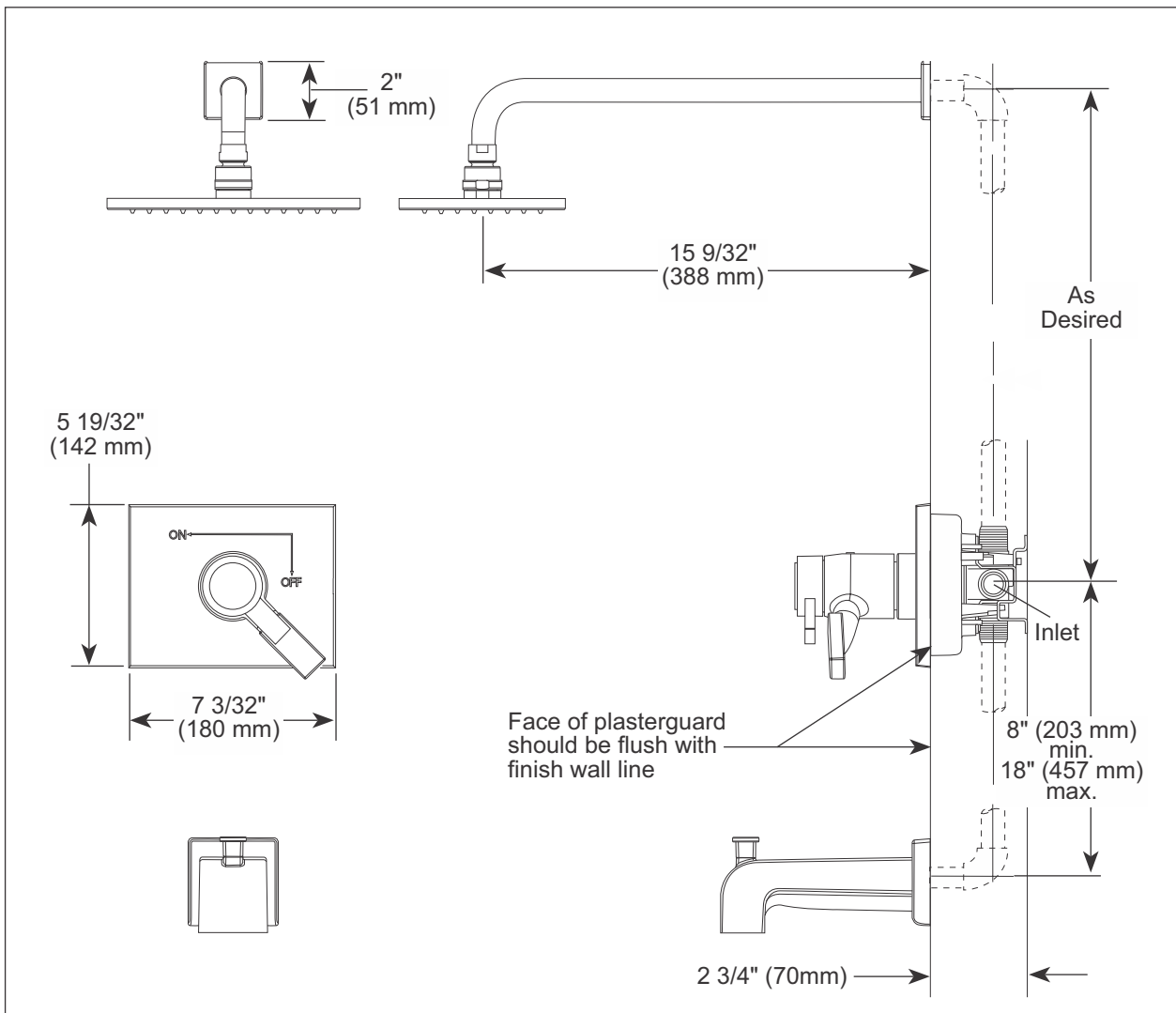
PR64851  
Bonnet

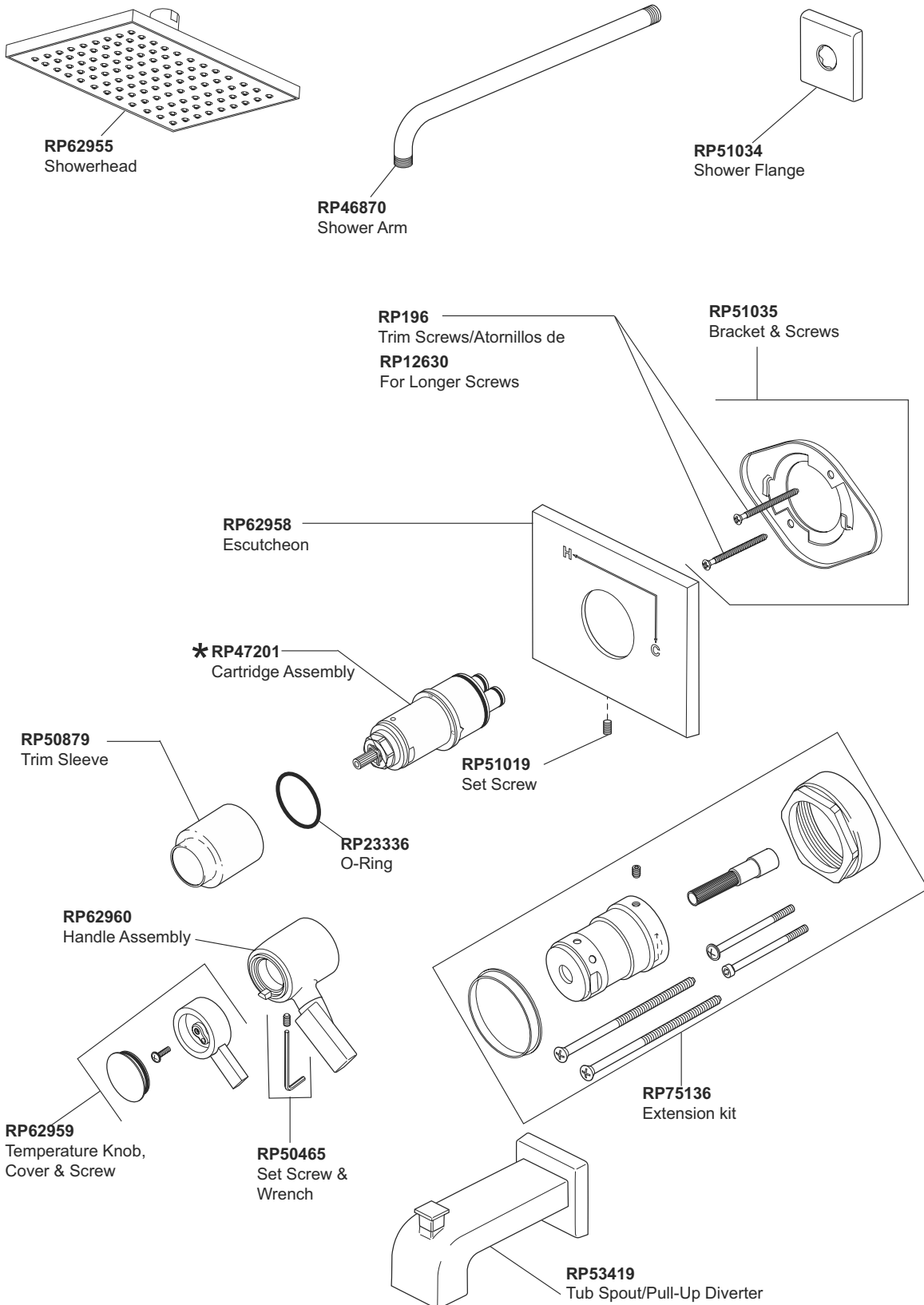
RP51917  
TrimSleeve

RP62381  
Vero6FunctionnEscutcheon

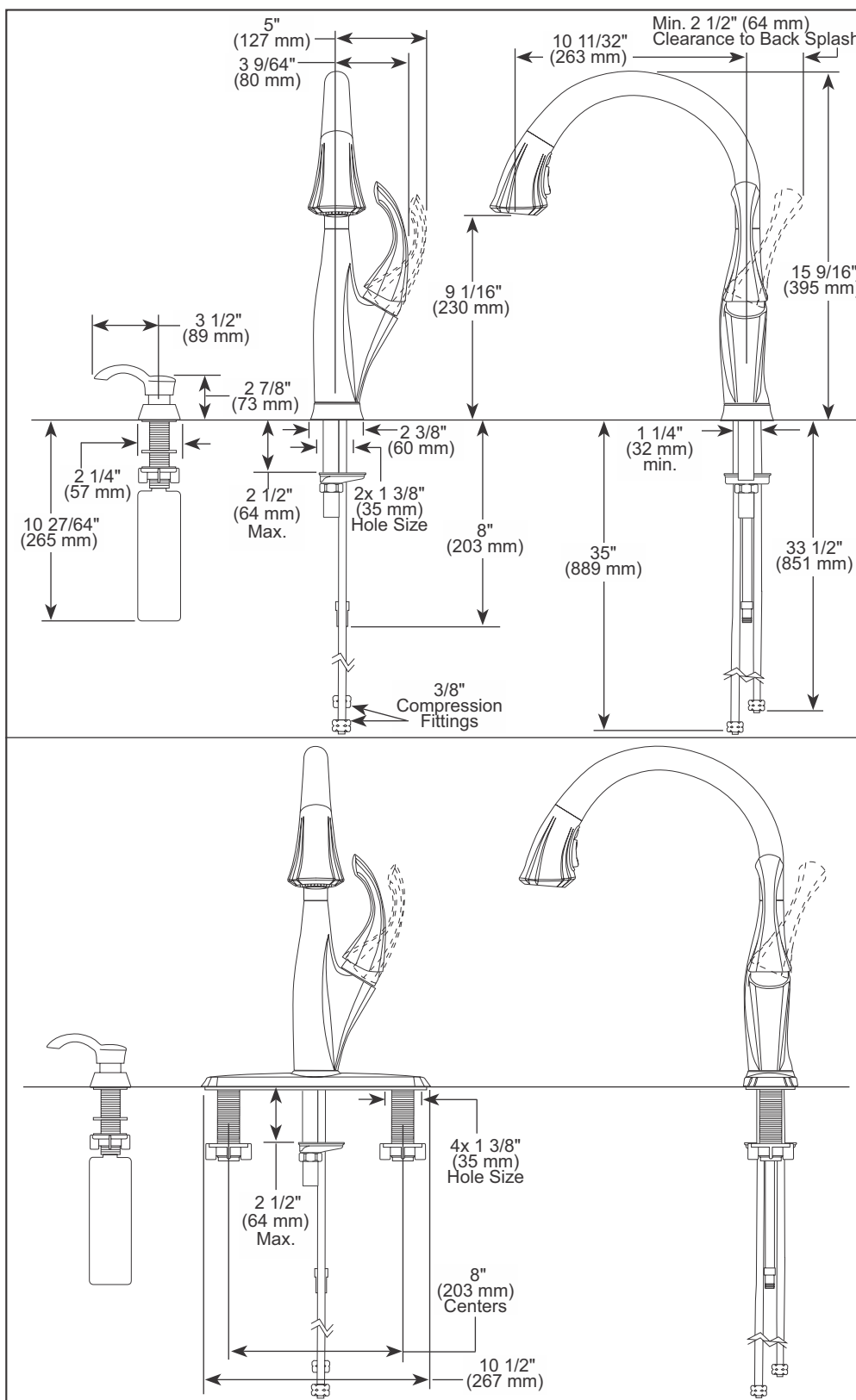
RP62962  
Vero™ Handle  
w/SetScrew

RP62380  
Vero3FunctionEscutcheon

**Vero TempAssure 17T Series MultiChoice  
Thermostatic Valve Trim Set**
**T17T053**
**Technical Specification Sheet**


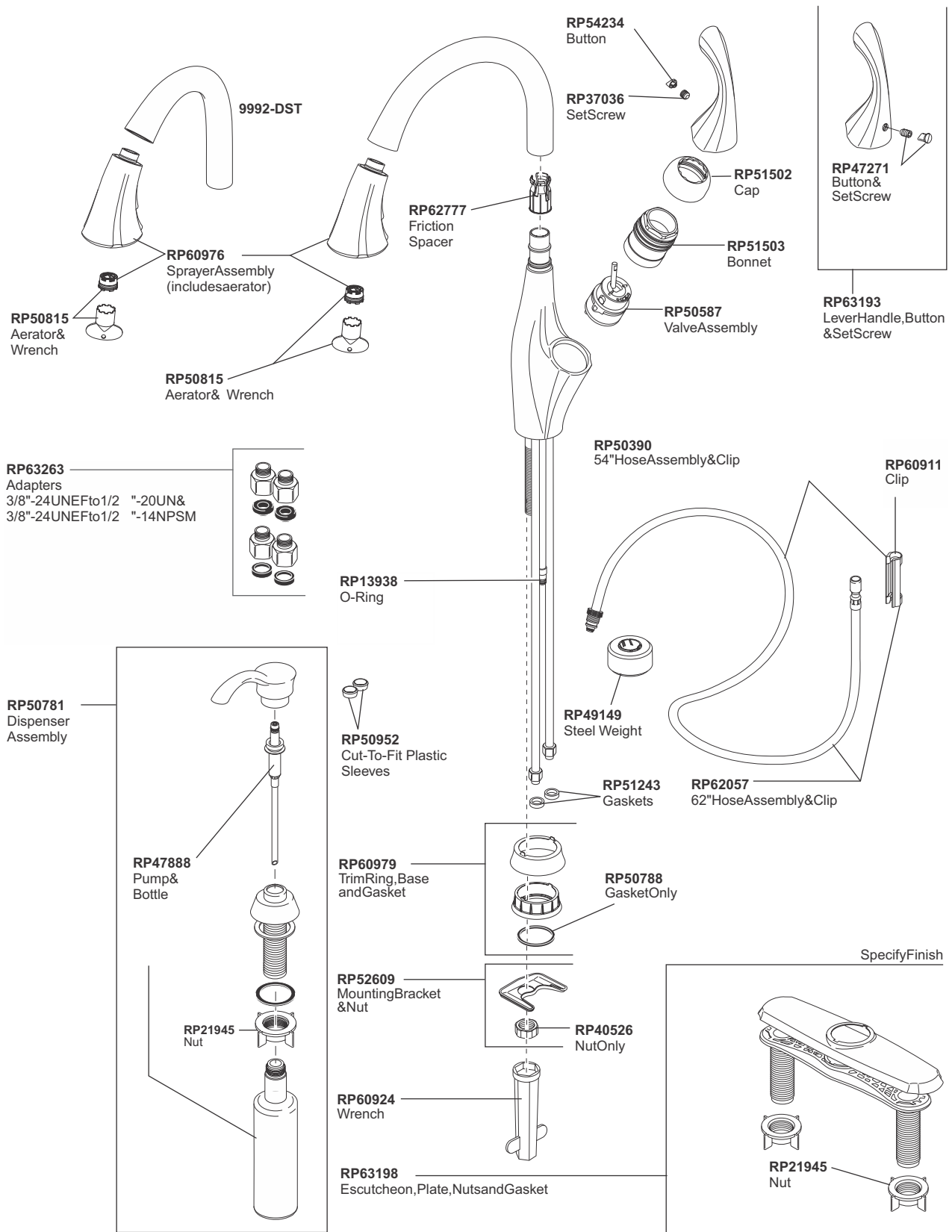
**Vero TempAssure 17T Series MultiChoice  
Thermostatic Valve Trim Set**
**T17T053**


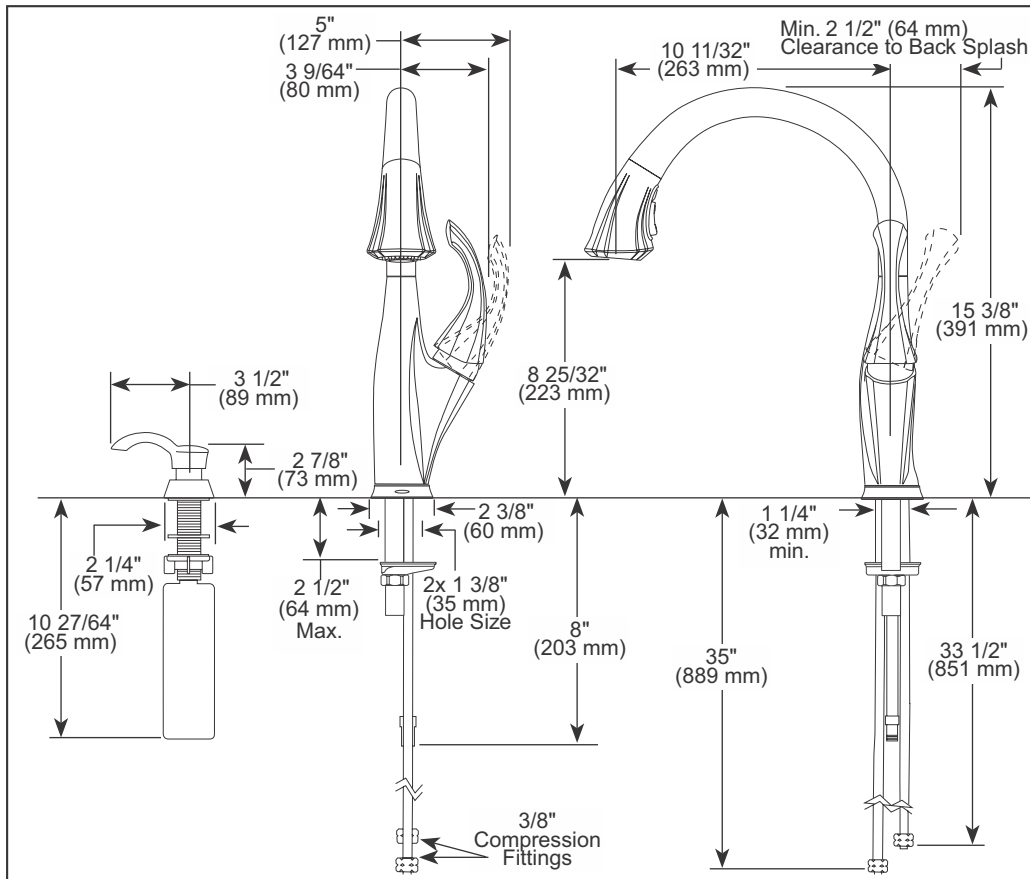
**Technical Specification Sheet**



**Addison Pull-Down Kitchen Faucet with Touch2O**

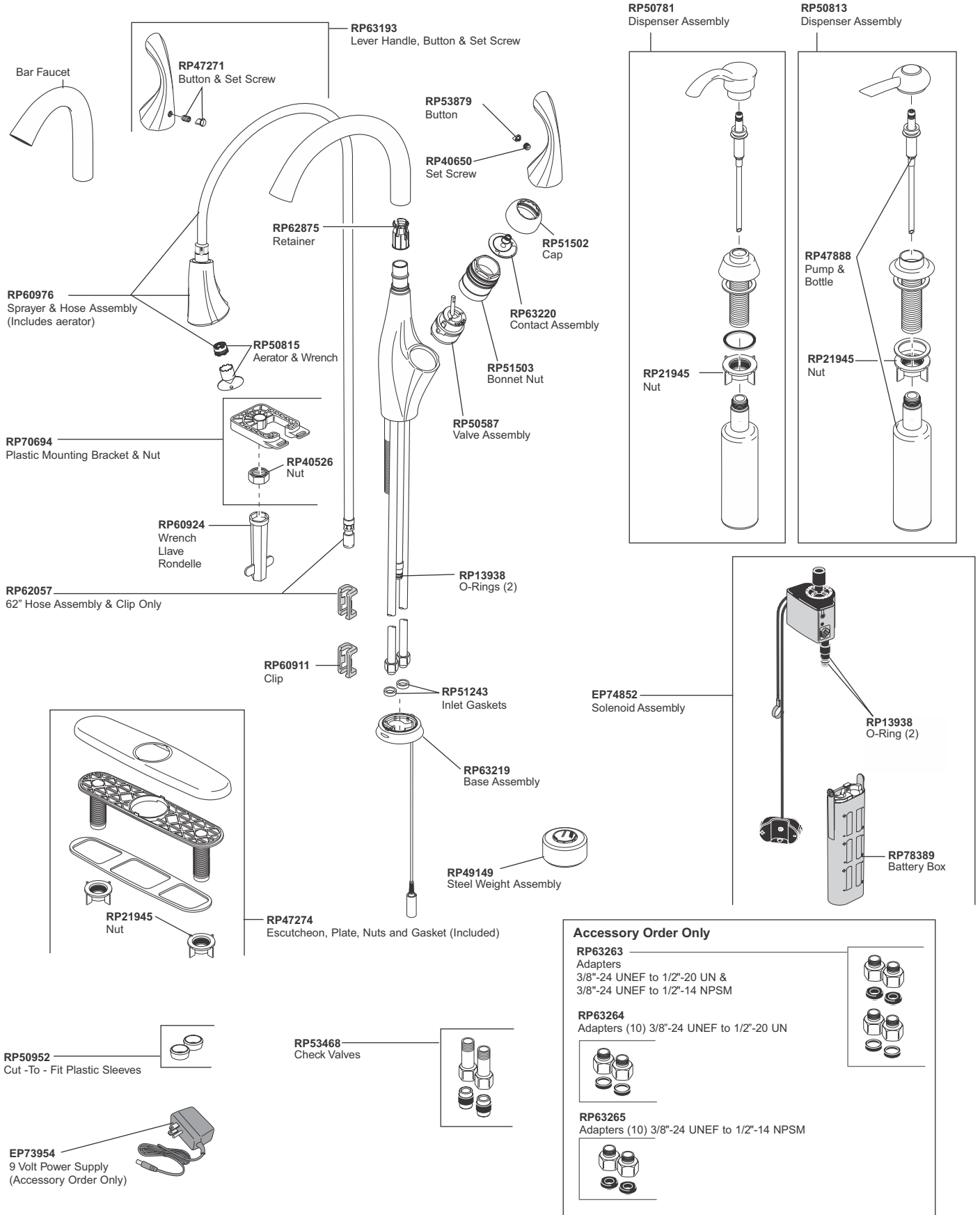
**9192-DST**



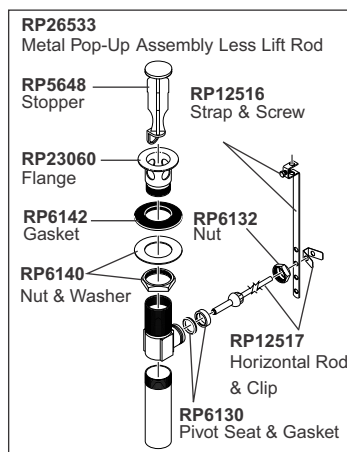
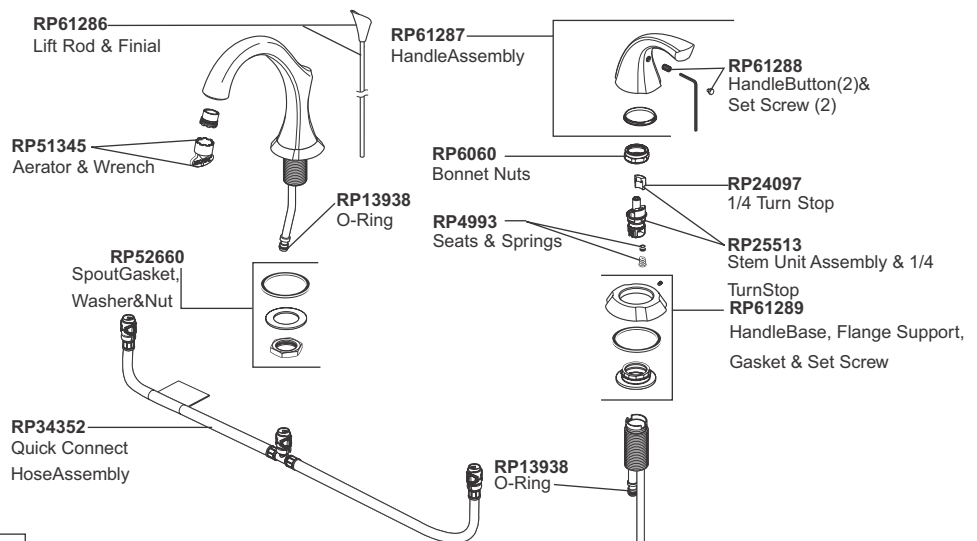
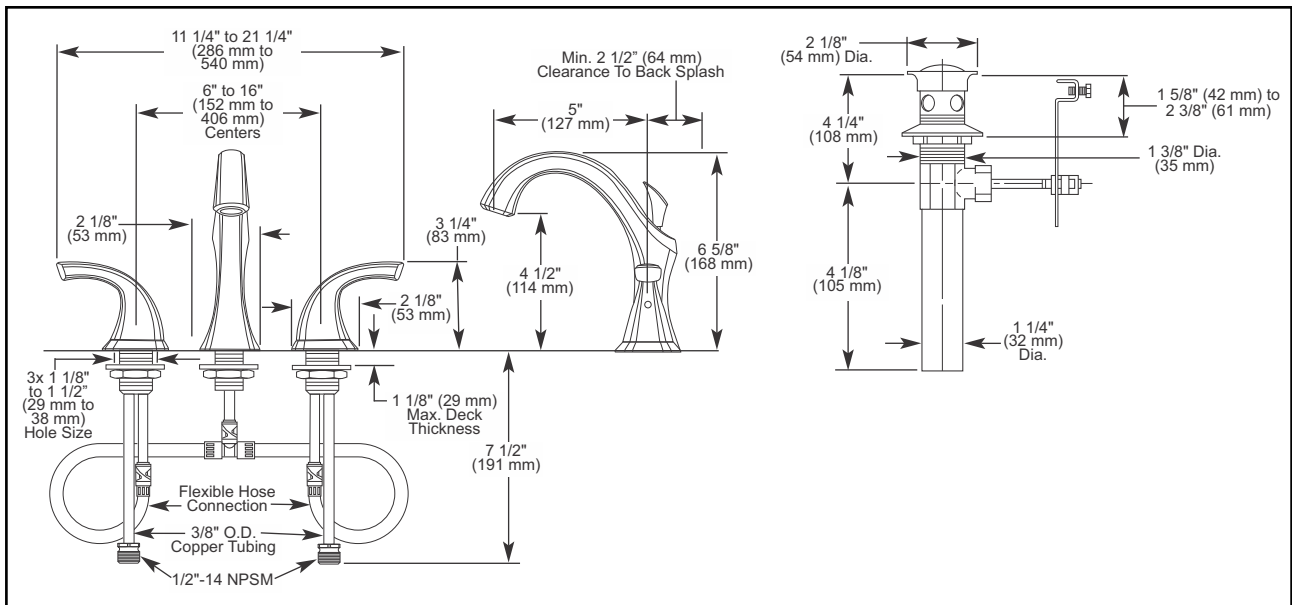
**Technical Specification Sheet**


## Addison Pull-Down Kitchen Faucet with Touch2O

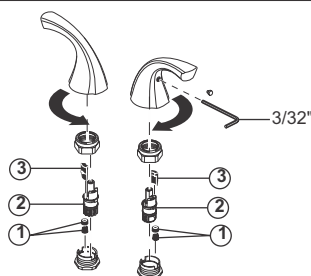
## 9192T-DST



**Technical Specification Sheet**



Available thick deck mounting kit **RP10612** adds 1" to maximum deck thickness.

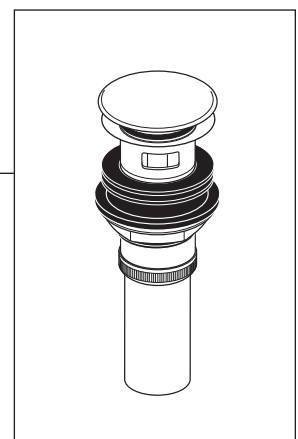
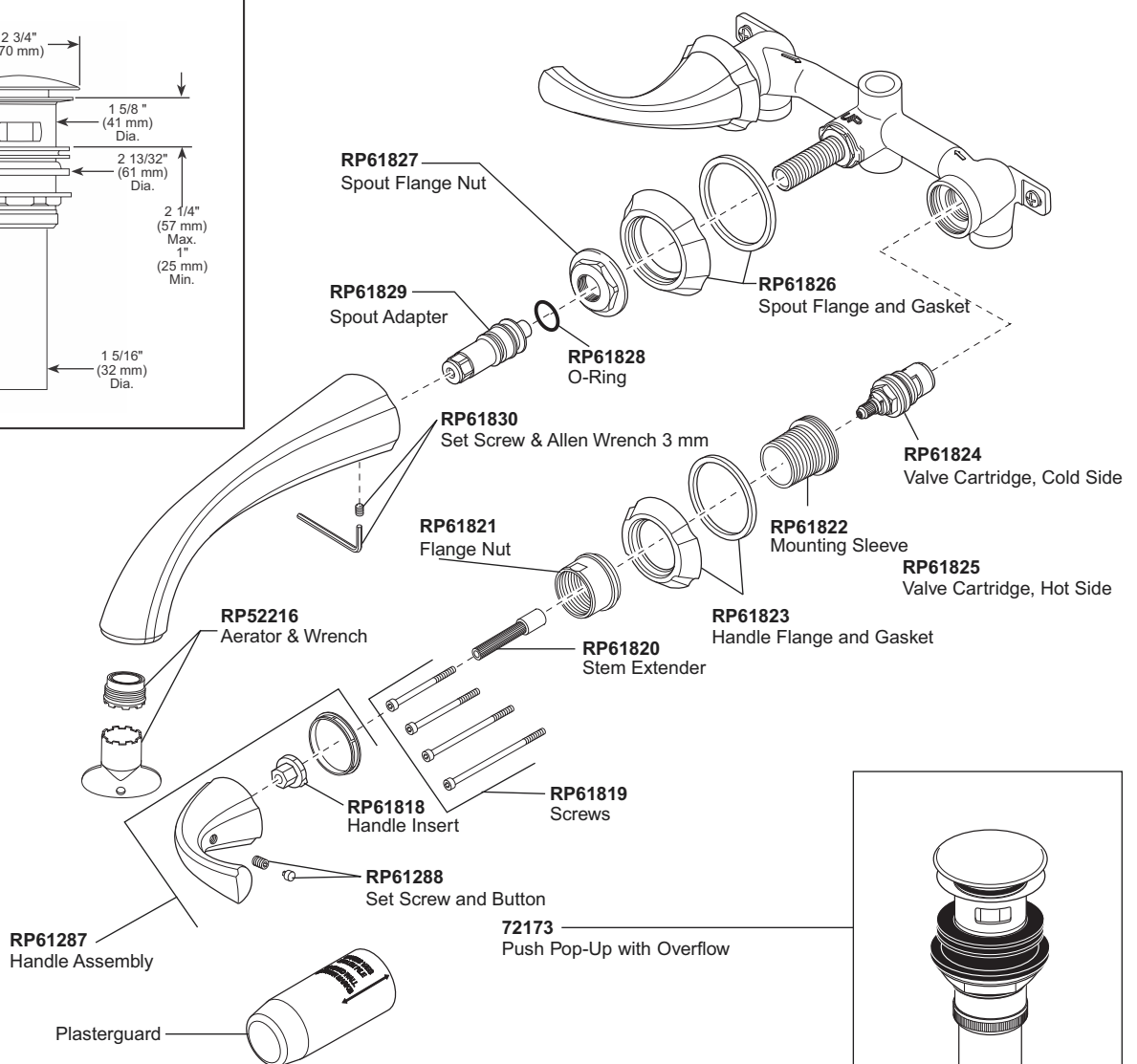
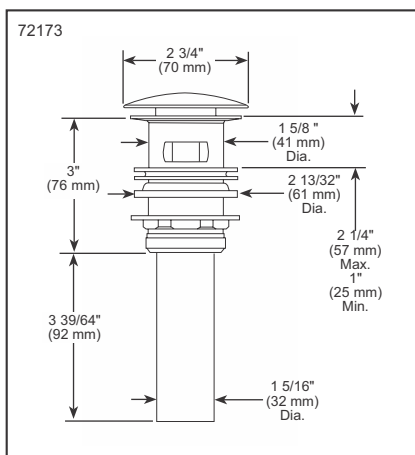
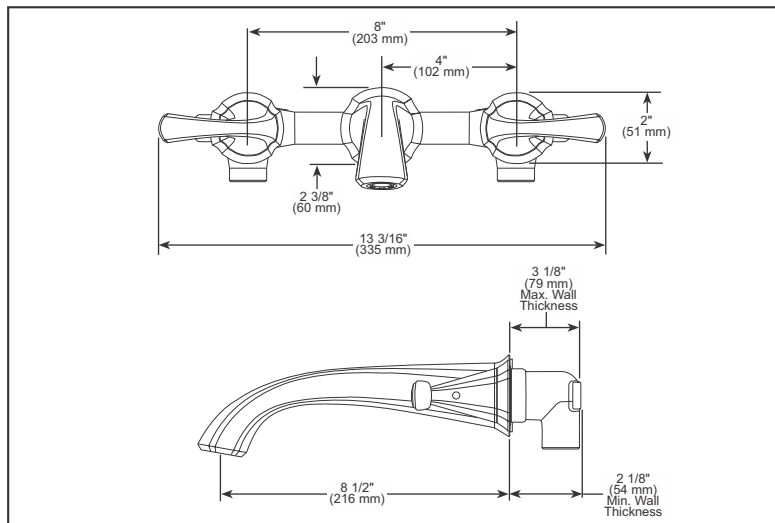




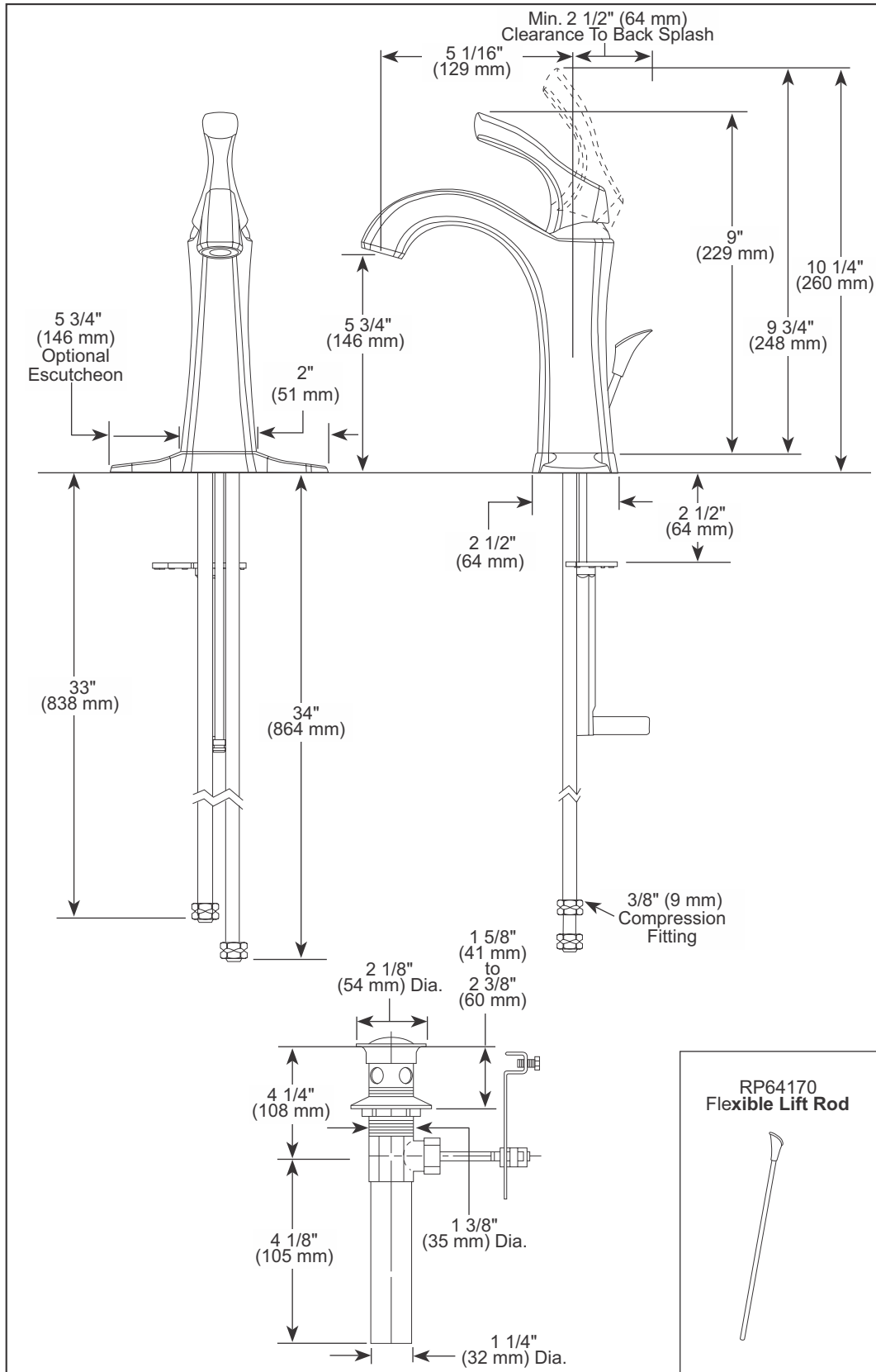
**Addison 2-Handle Wall Mount Lav Faucet**

**3592LF-WL**

**Technical Specification Sheet**

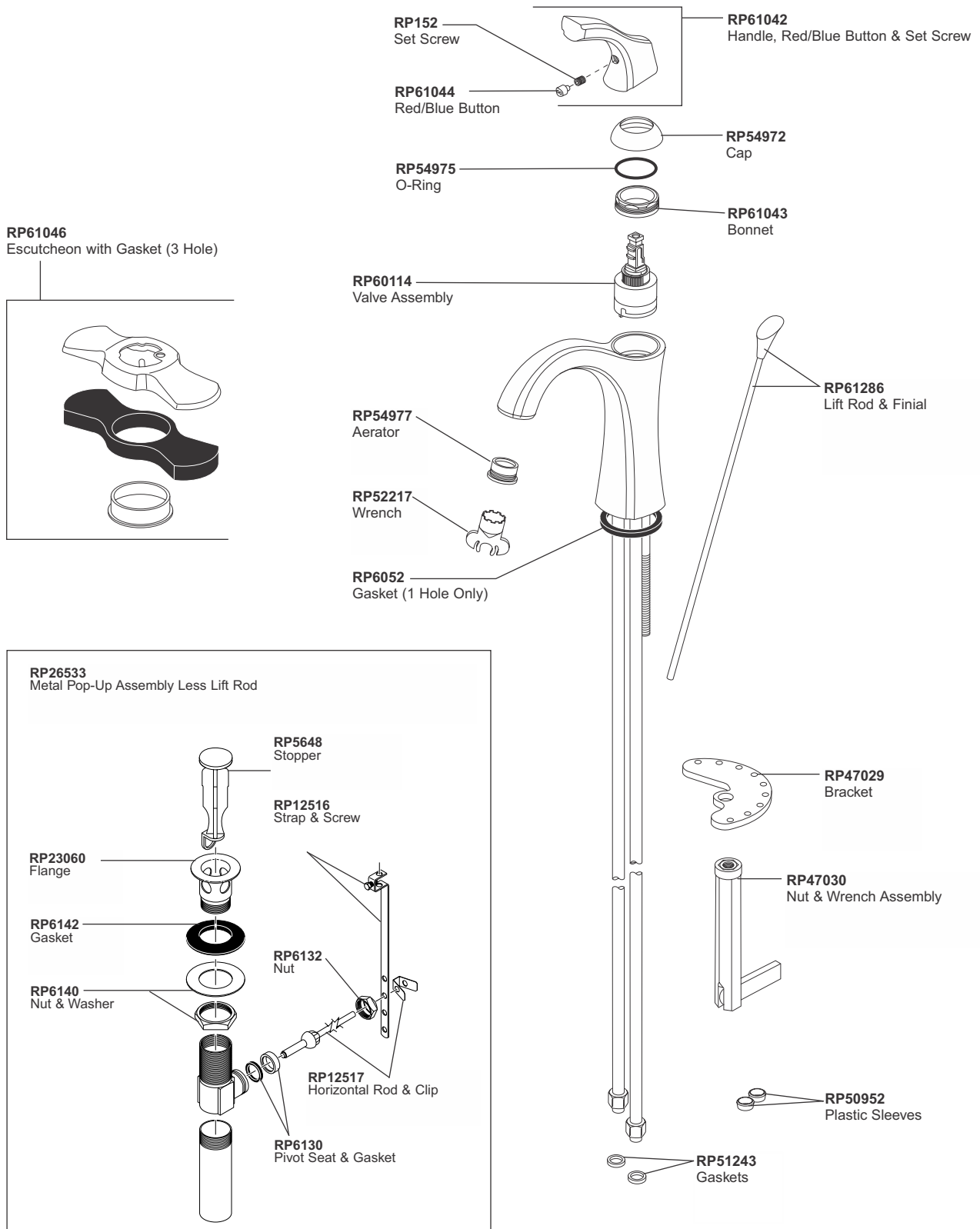


**Technical Specification Sheet**

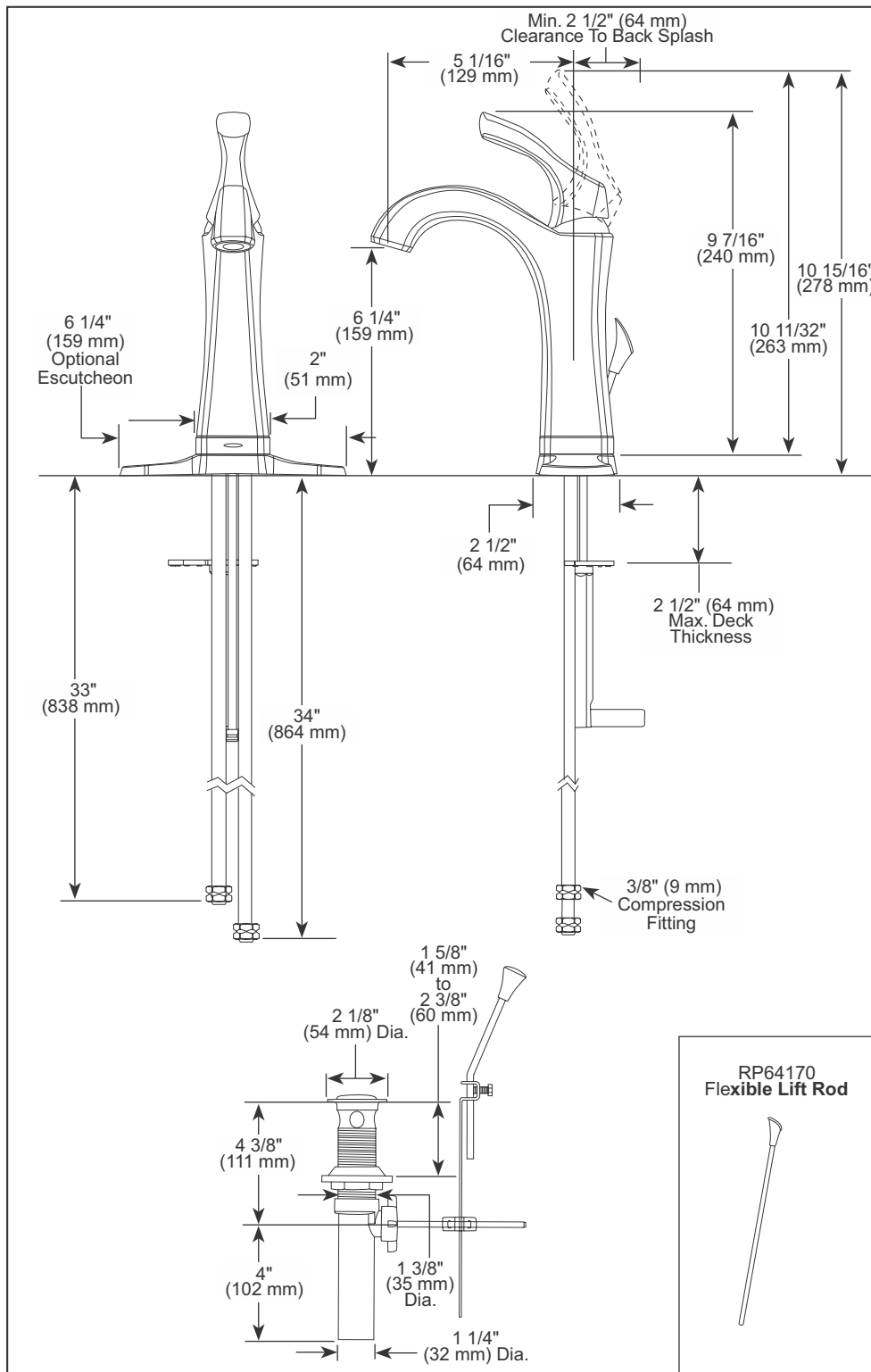


**Addison Single Handle Lav Faucet with Pop Up**

**592-DST**

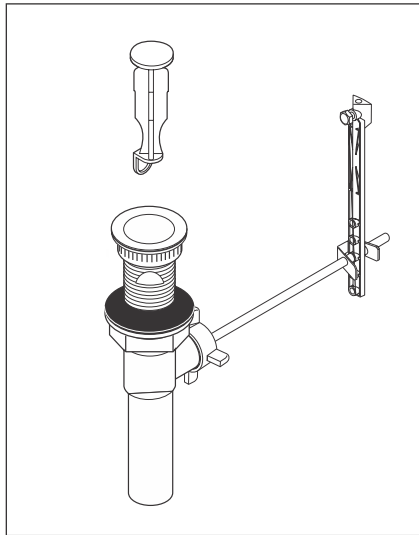


**Technical Specification Sheet**



**Addison Single Handle Lav Faucet with Touch2O.xt**

**592T-DST**



**RP40650**  
Set Screw

**RP61044**  
Red/Blue Button & Set Screw

**RP61042**  
Handle, Red/Blue Button & Set Screw

**RP41587**  
Plastic Pop-Up Assembly Less Lift Rod

**RP54975**  
O-Ring

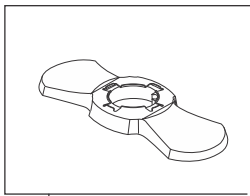
**RP54972**  
Cap

**RP61043**  
Bonnet

**RP64066**  
Contact Assembly

**RP60114**  
Valve Assembly

**RP64170**  
Lift Rod & Finial



**RP61046**  
Escutcheon (3 Hole)

**RP54977**  
Aerator

**RP52217**  
Wrench

**RP64171**  
Base Assembly

**RP51003**  
Gasket (1 Hole Only)

**RP63263**  
Adapters  
3/8"-24 UNEF to 1/2"-20 UN &  
3/8"-24 UNEF to 1/2"-14 NPSM

**RP64166**  
Solenoid Assembly

**RP50784**  
Clip

**RP60911**  
Clip

**RP71043**  
Battery Box

**RP53468**  
Check Valves

**RP63264**  
Adapters (10) 3/8"-24 UNEF to 1/2"-20 UN

**RP63265**  
Adapters (10) 3/8"-24 UNEF to 1/2"-14 NPSM

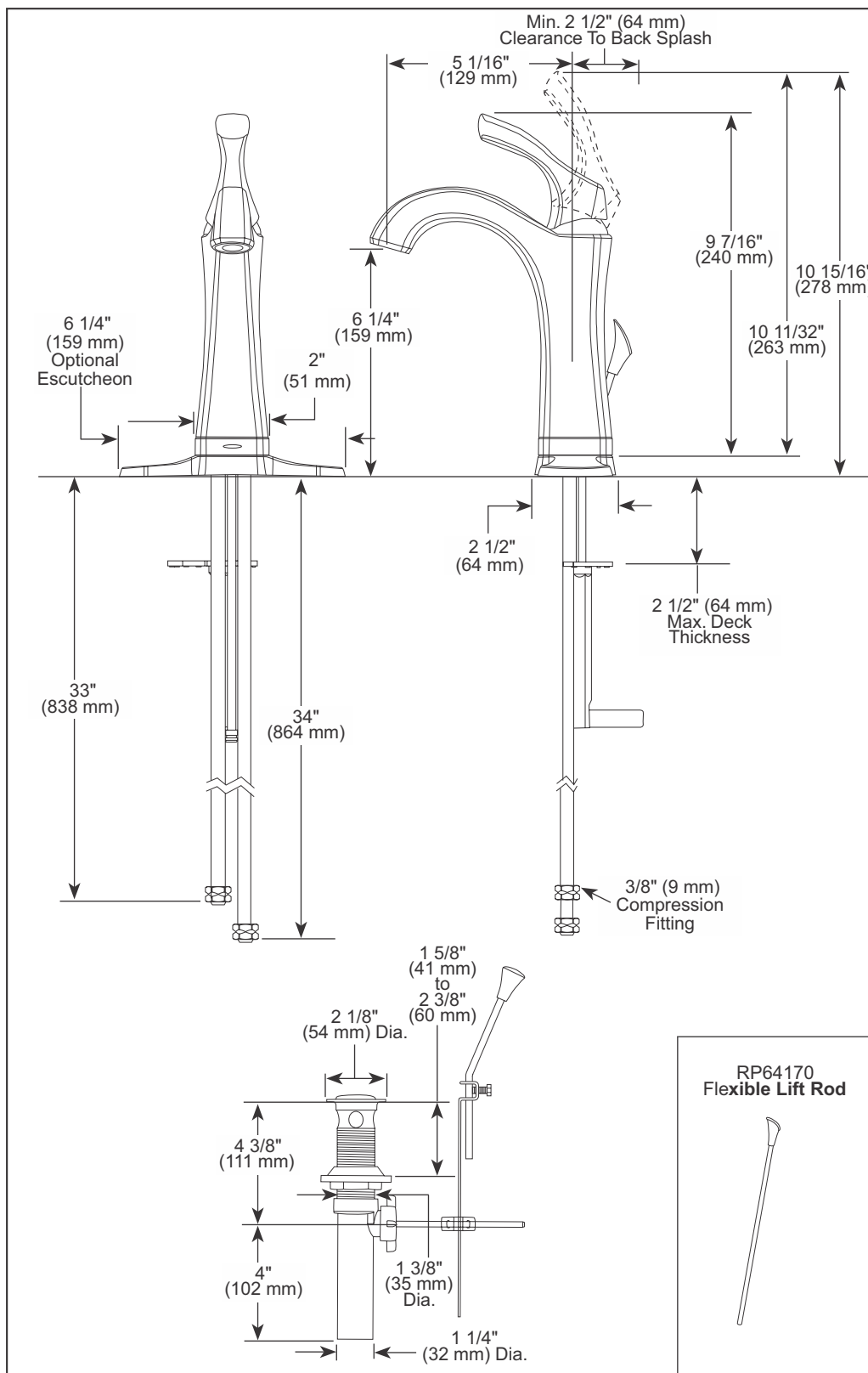
**RP64169**  
Mounting Assembly

**RP47030**  
Nut & Wrench Assembly

**RP51243**  
Gaskets

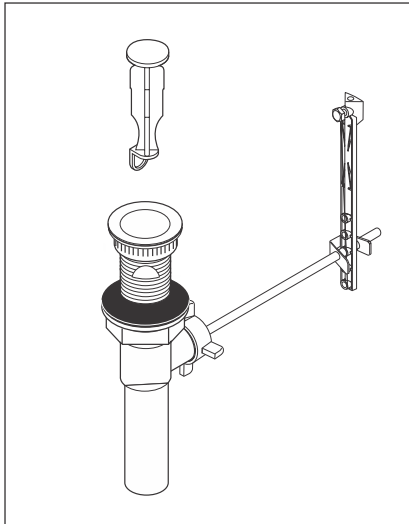
**RP50952**  
Plastic Sleeves

**Technical Specification Sheet**



**Addison Single Handle Lav Faucet with Touch2O.xt**

**592T-SS-DST**



**RP40650**  
Set Screw

**RP61044**  
Red/Blue Button & Set Screw

**RP61042**  
Handle, Red/Blue Button & Set Screw

**RP41587**  
Plastic Pop-Up Assembly Less Lift Rod

**RP54975**  
O-Ring

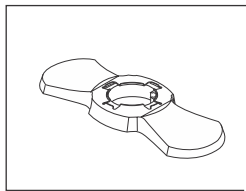
**RP54972**  
Cap

**RP64066**  
Contact Assembly

**RP61043**  
Bonnet

**RP60114**  
Valve Assembly

**RP64170**  
Lift Rod & Finial



**RP61046**  
Escutcheon (3 Hole)

**RP54977**  
Aerator

**RP52217**  
Wrench

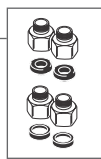
**RP64171**  
Base Assembly

**RP51003**  
Gasket (1 Hole Only)

**RP64166**  
Solenoid Assembly

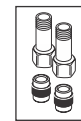
**RP50784**  
Clip

**RP63263**  
Adapters  
3/8"24 UNEF to 1/2"-20 UN &  
3/8"24 UNEF to 1/2"-14 NPSM



**RP60911**  
Clip

**RP71043**  
Battery Box



**RP53468**  
Check Valves

**RP63264**  
Adapters (10) 3/8"24 UNEF to 1/2" UN

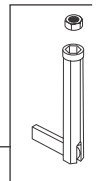


**RP64169**  
Mounting Assembly

**RP63265**  
Adapters (10) 3/8"24 UNEF to 1/2" NPSM



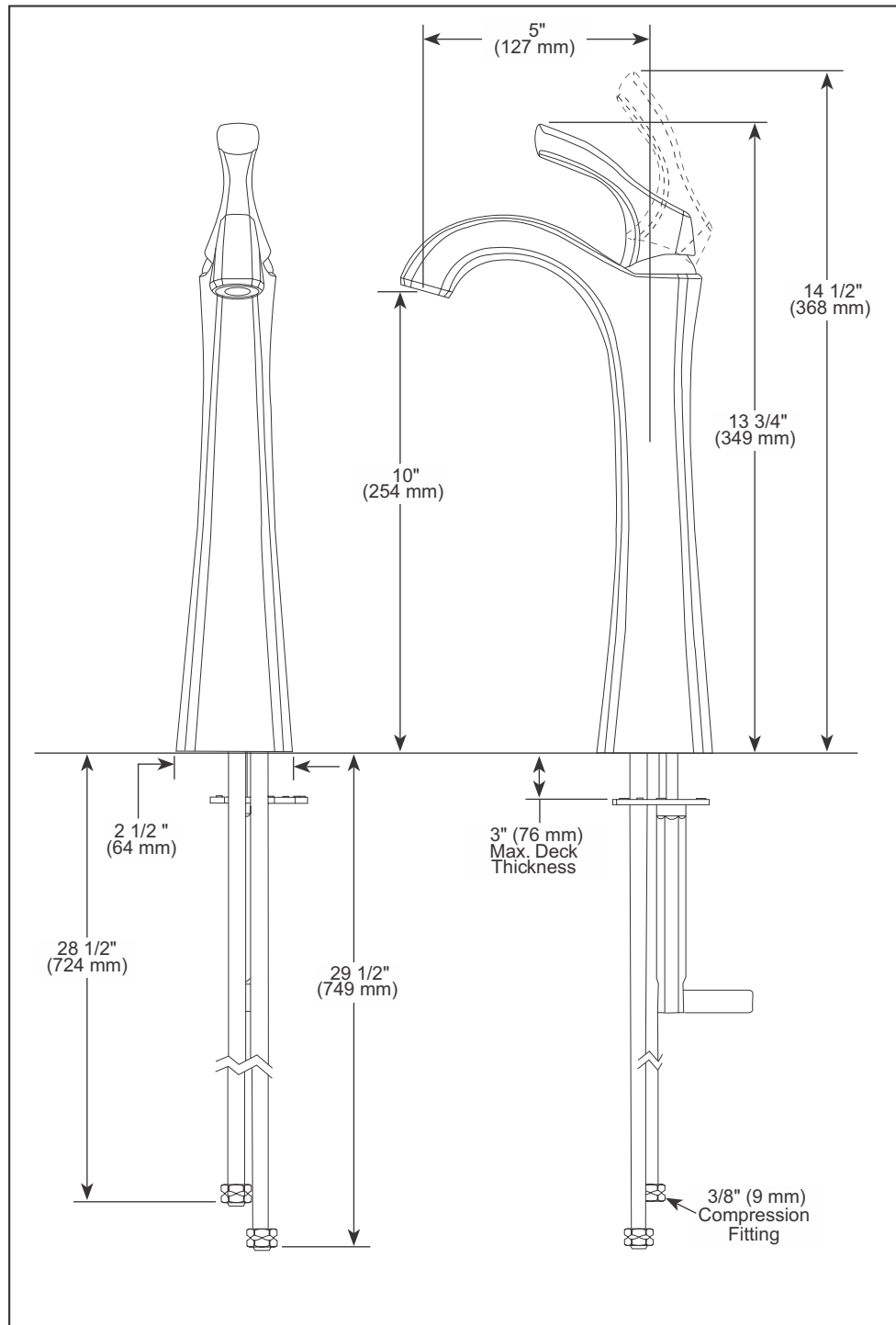
**RP47030**  
Nut & Wrench Assembly



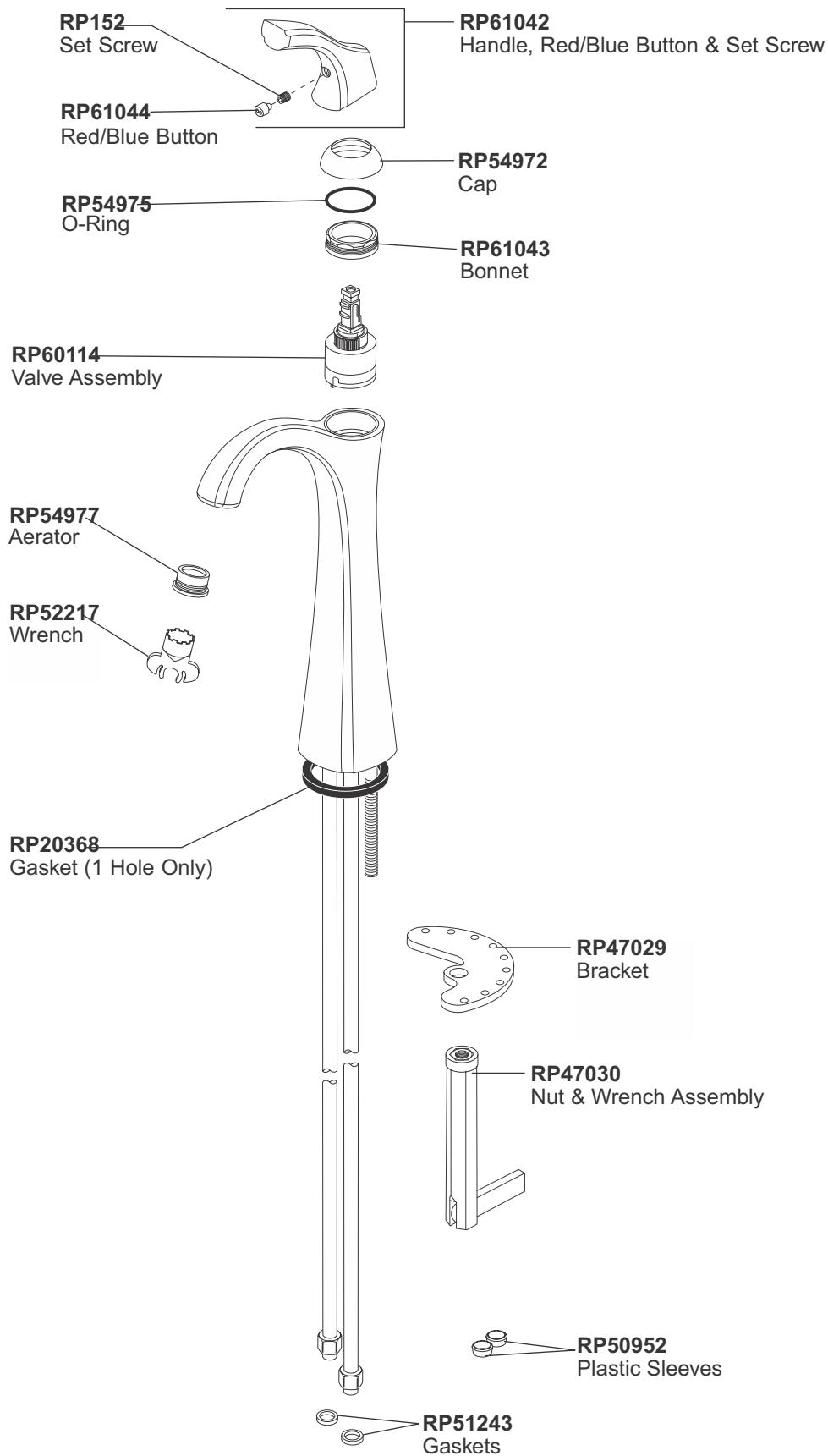
**RP51243**  
Gaskets

**RP50952**  
Plastic Sleeves

## Technical Specification Sheet



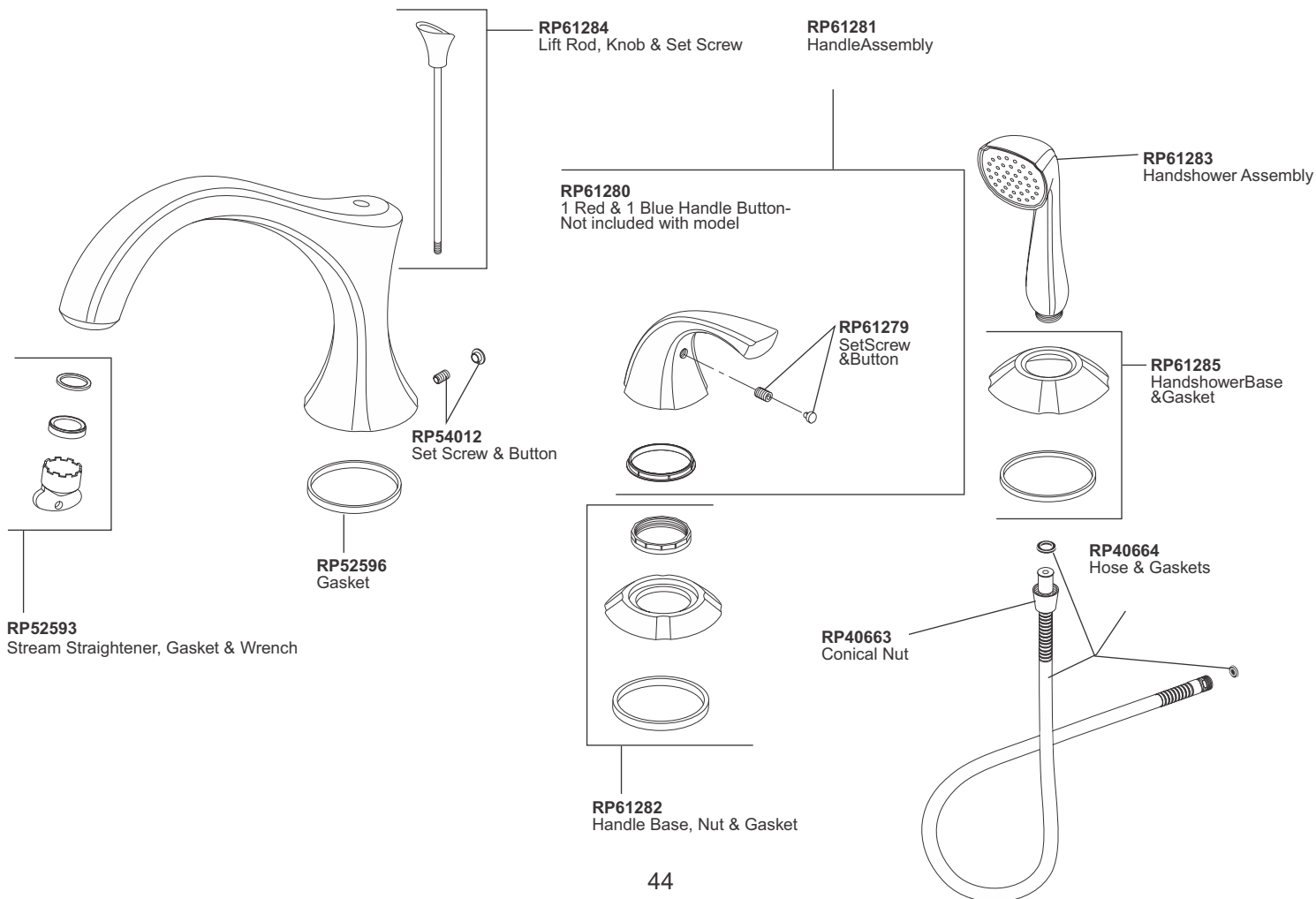
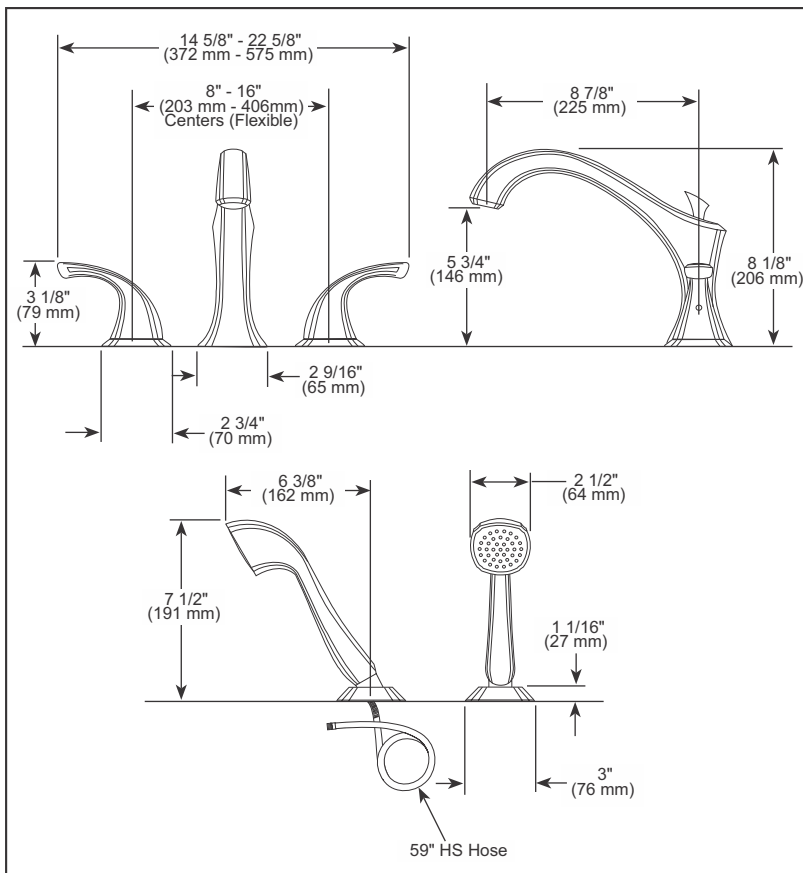


**Addison Single Handle Tall Lav Faucet less pop up**
**792-DST**


**4-Hole Tub Filler Trim**

**T4792**

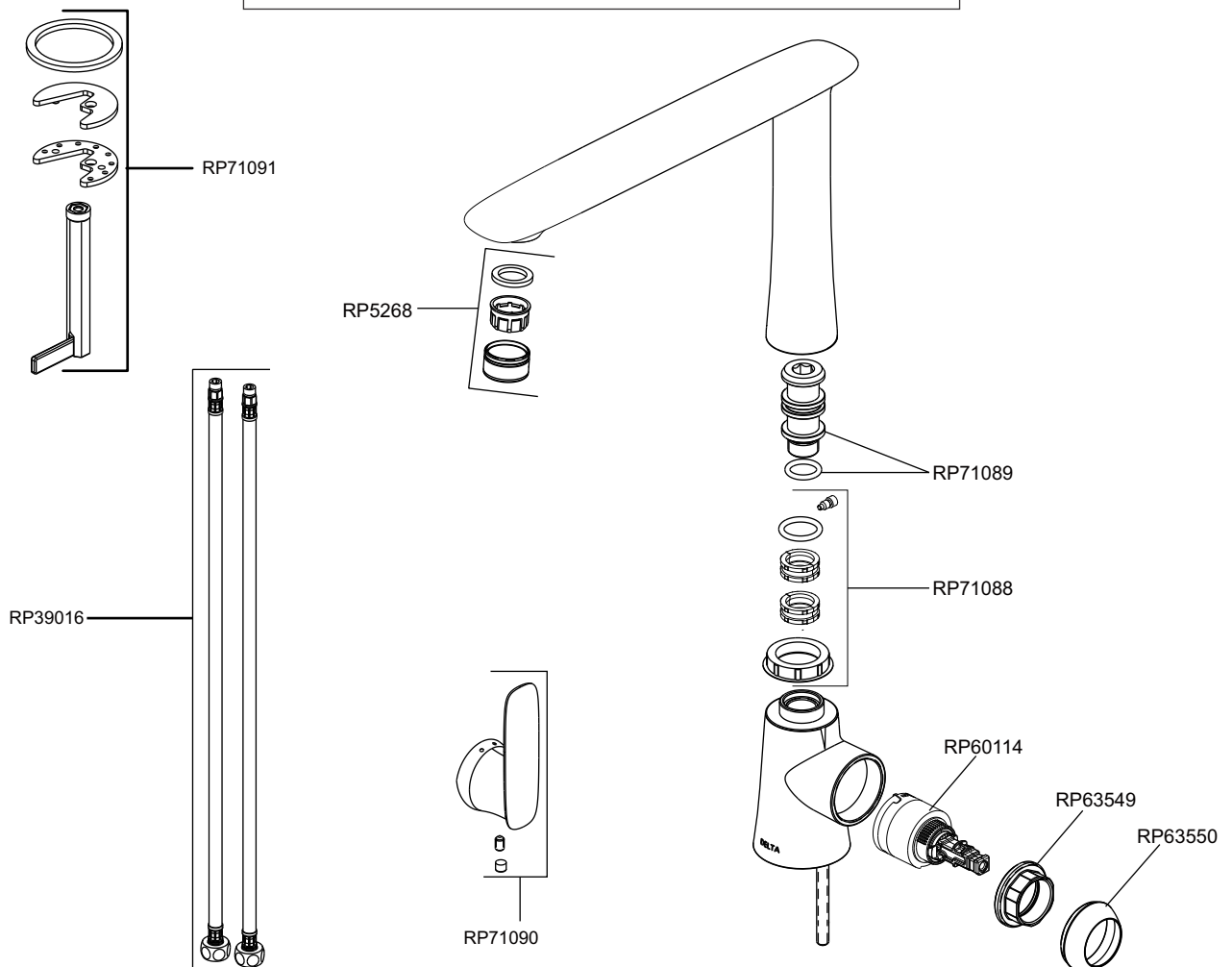
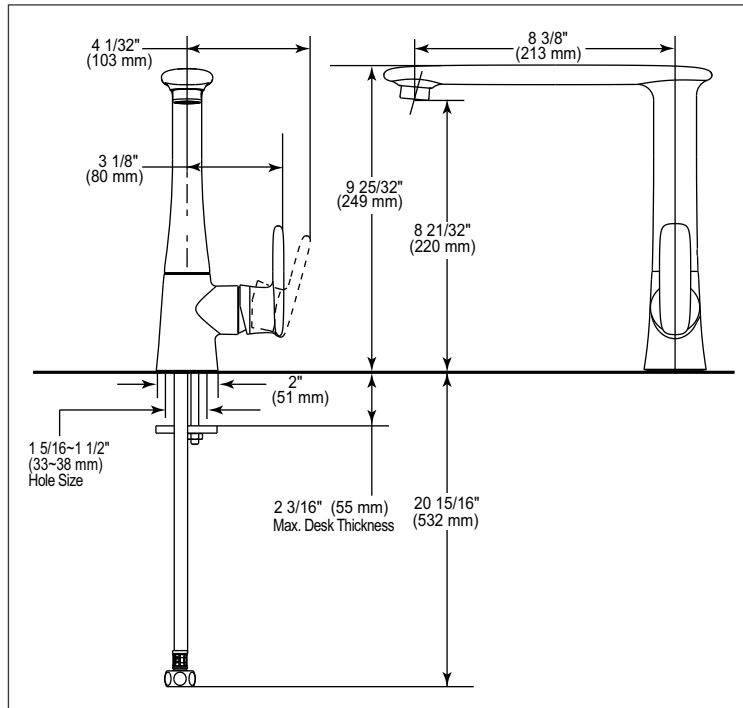
**Technical  
Specification Sheet**



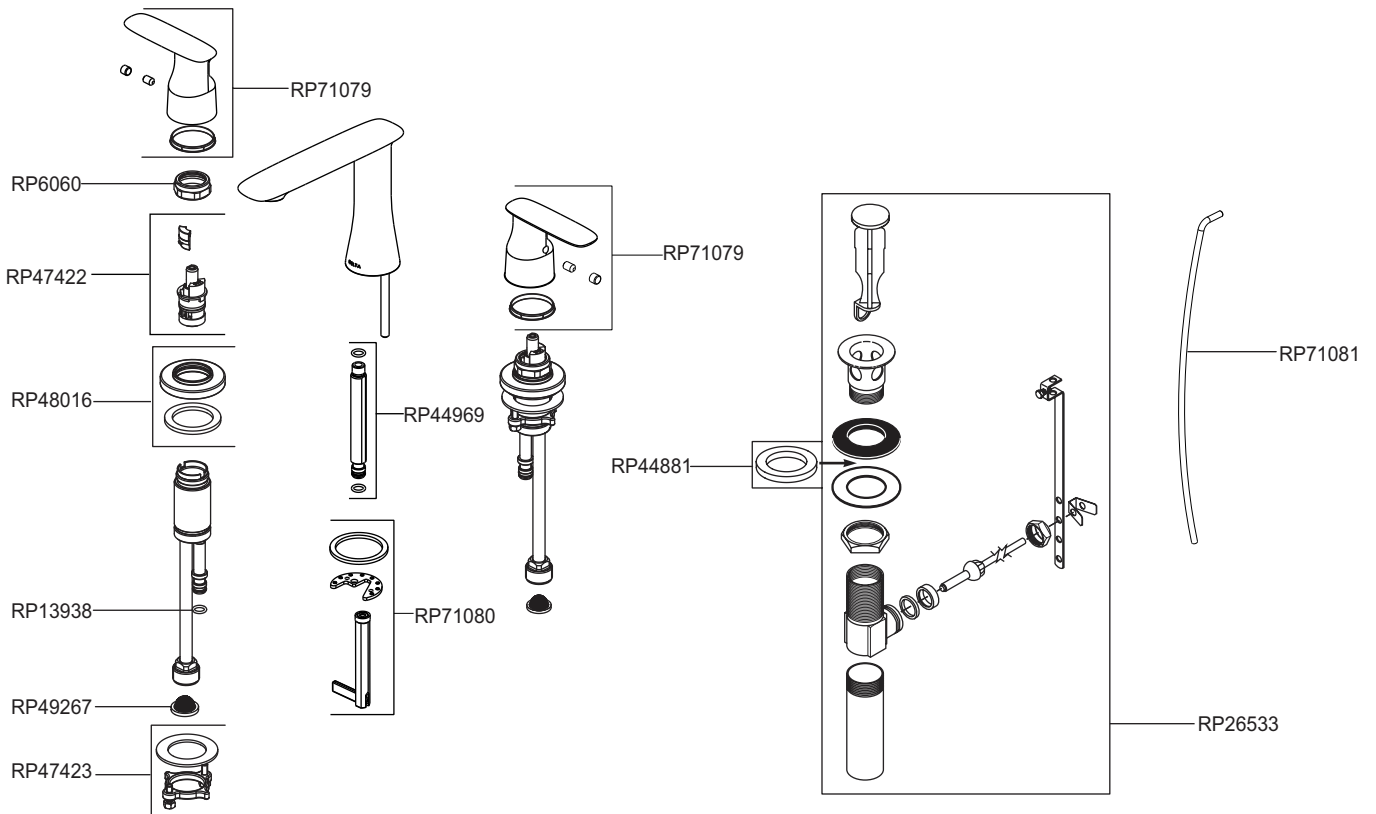
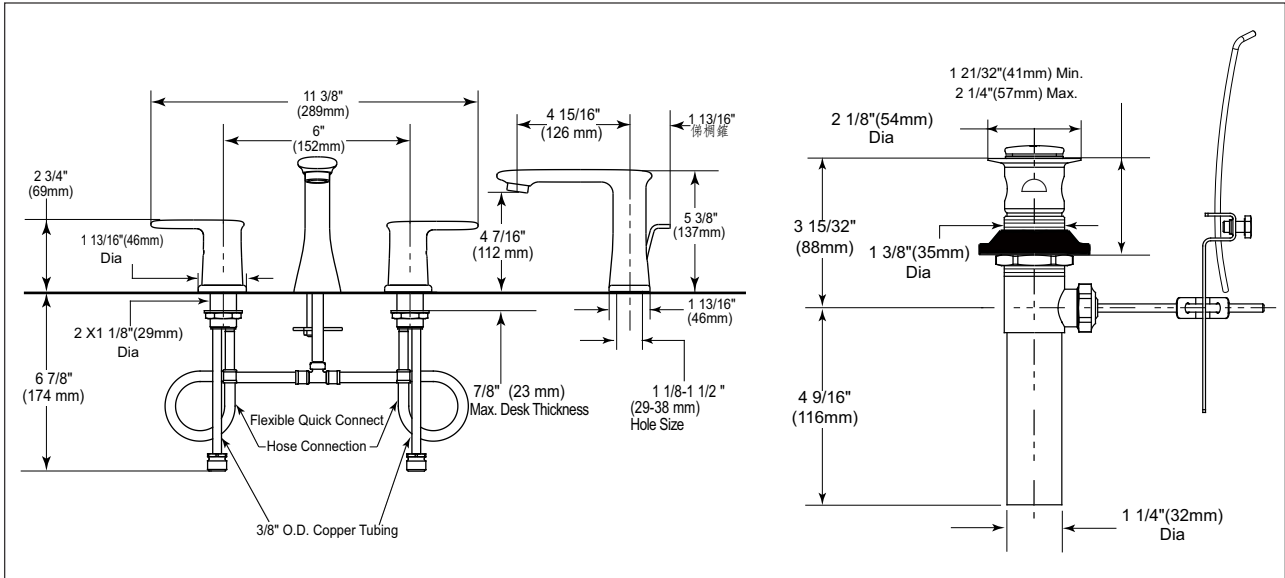
Andian Angle Valve with Flange

33801-DV

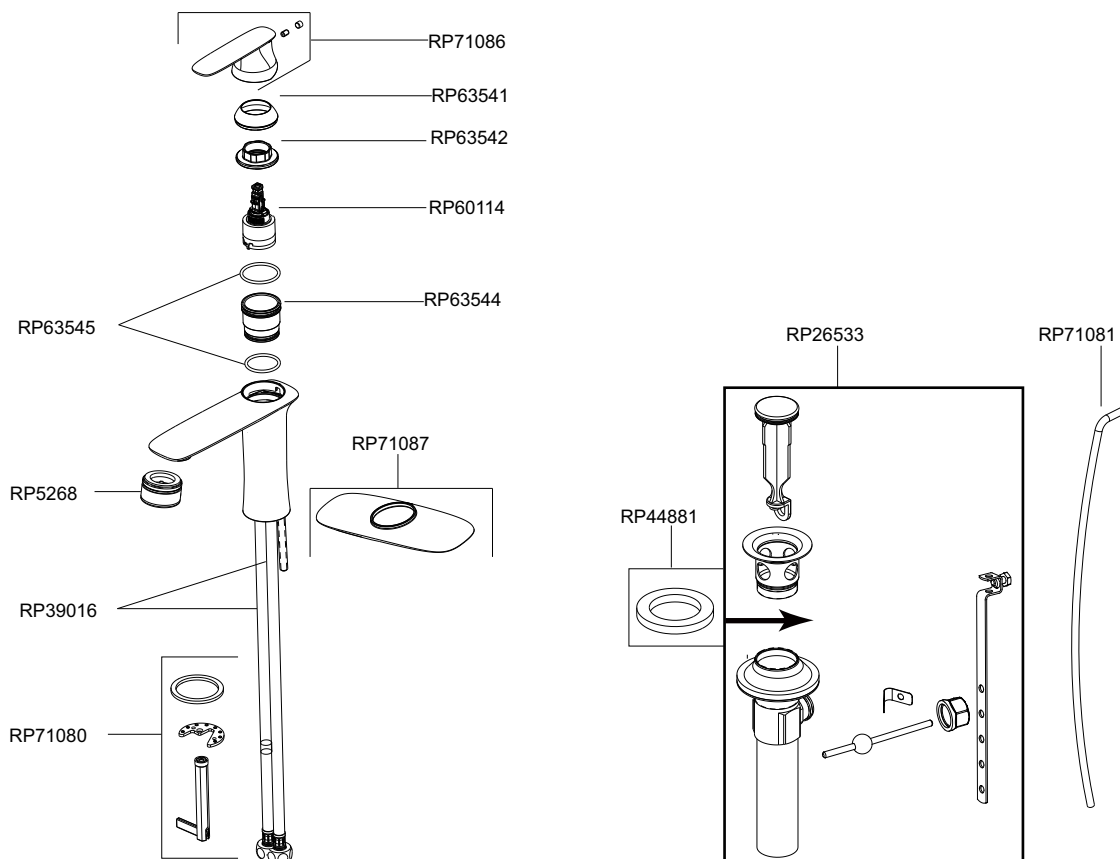
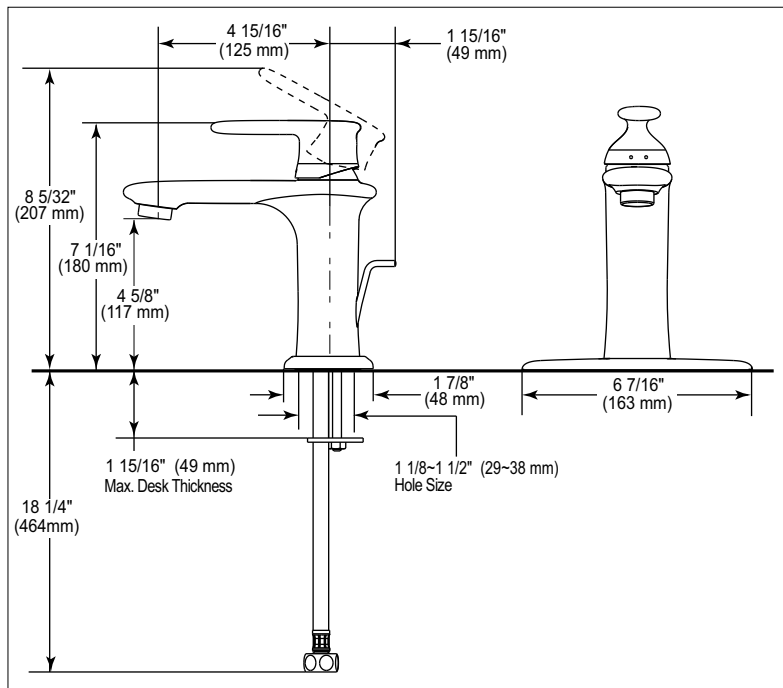
Technical Specification Sheet



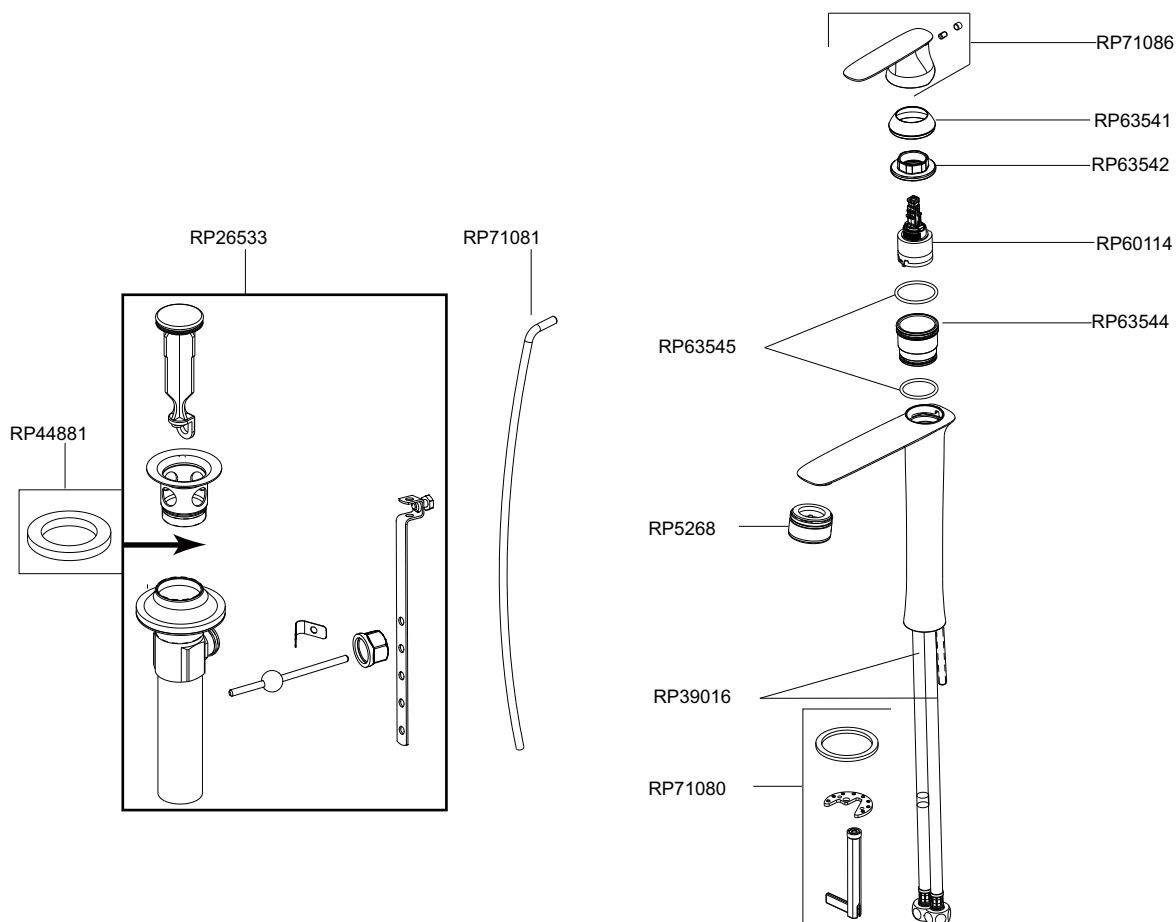
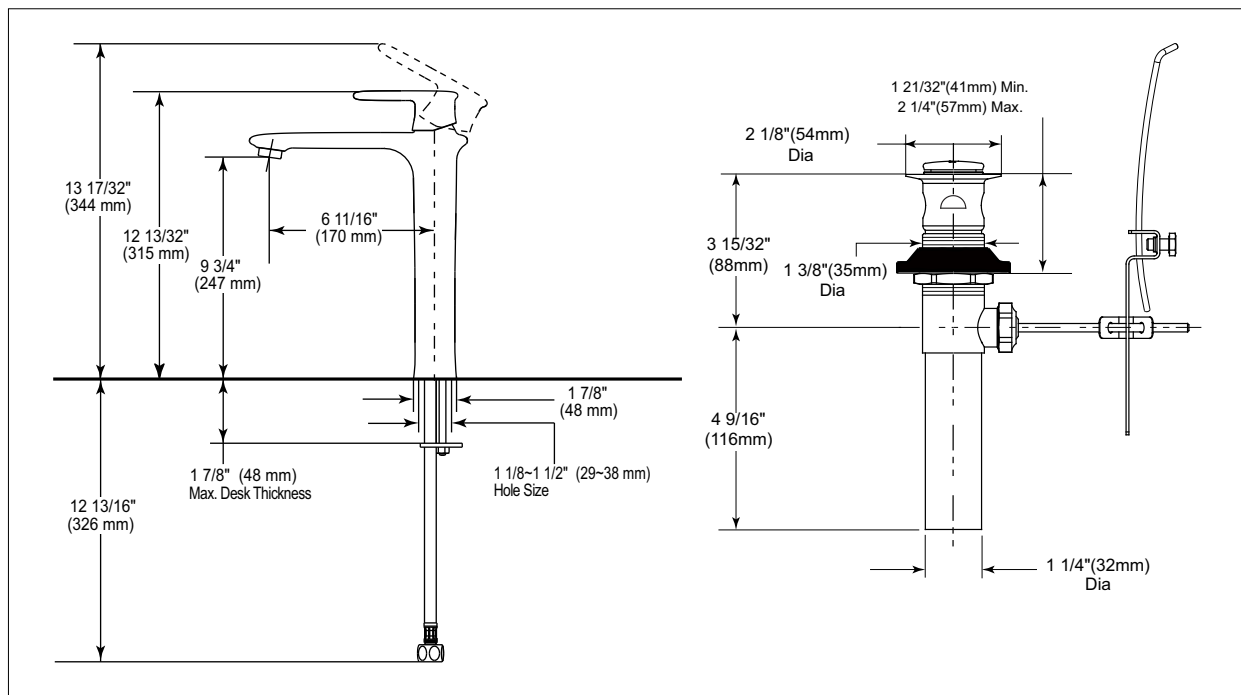
Technical Specification Sheet

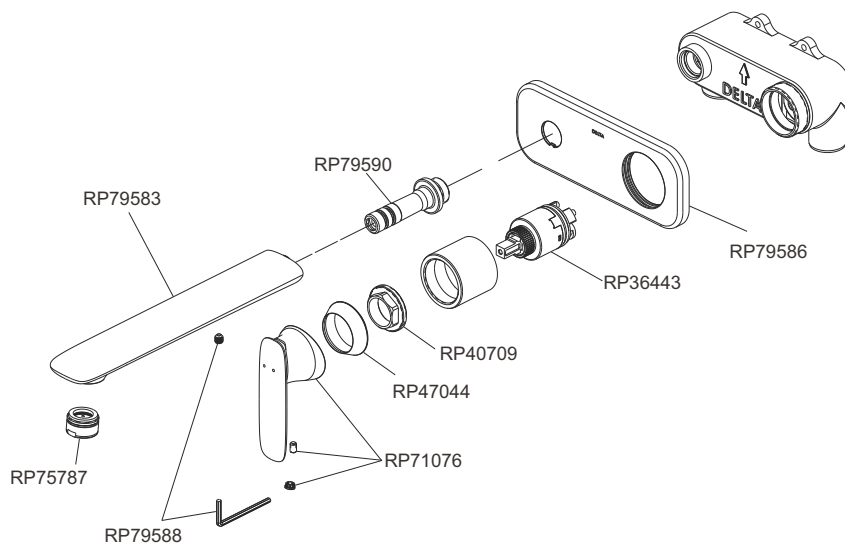
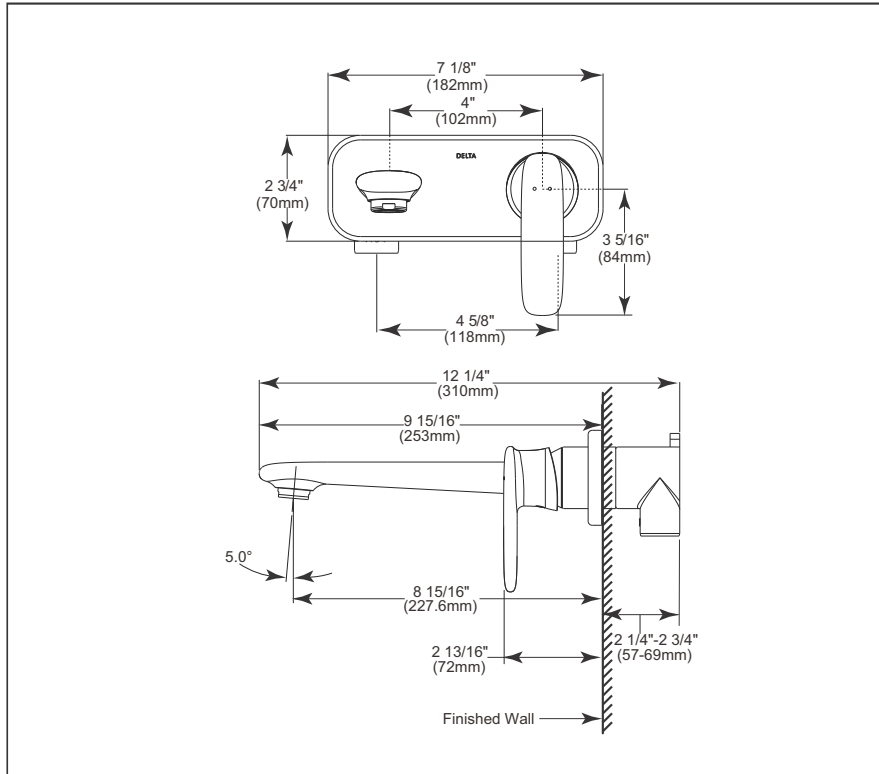


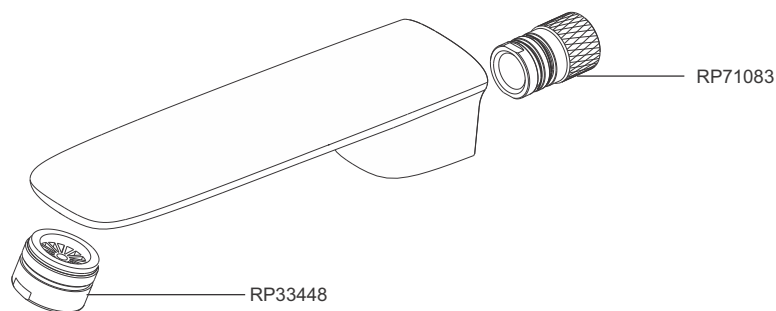
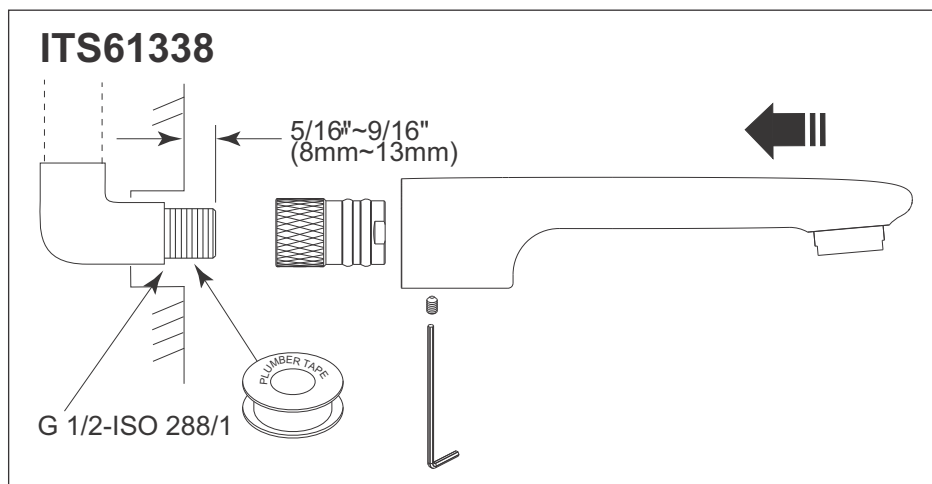
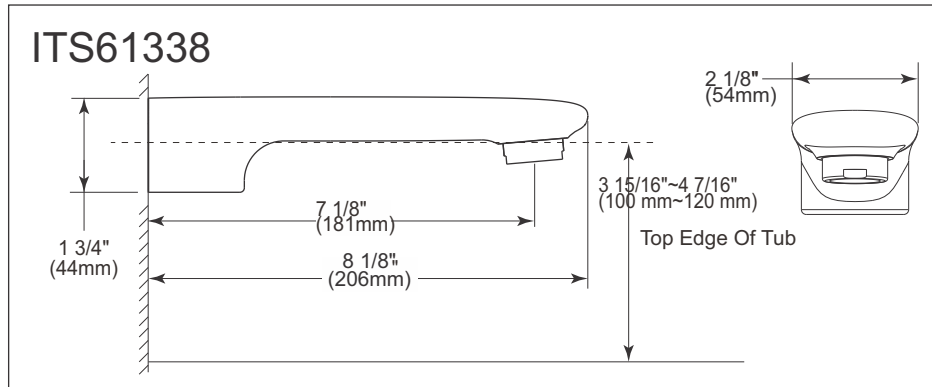
Technical Specification



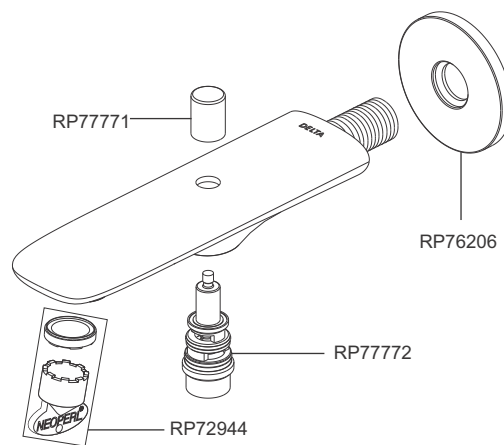
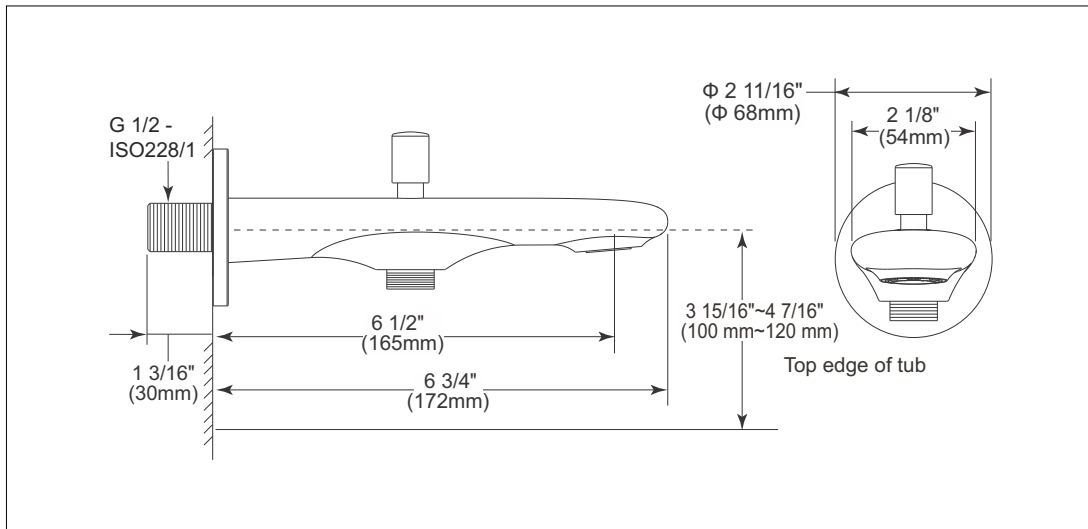
Technical Specification



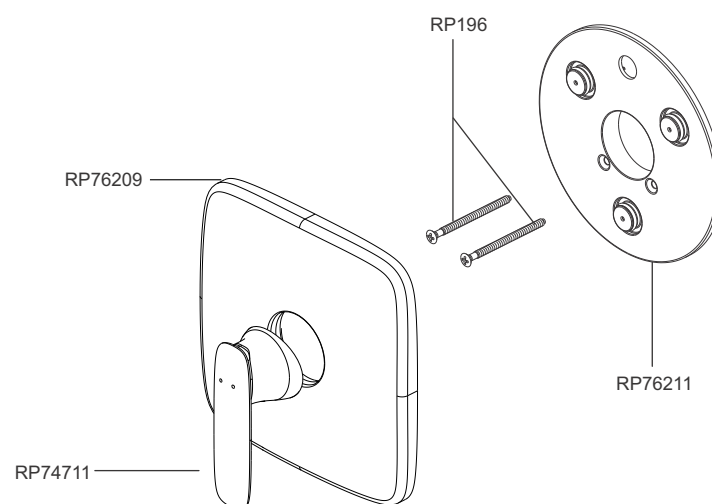
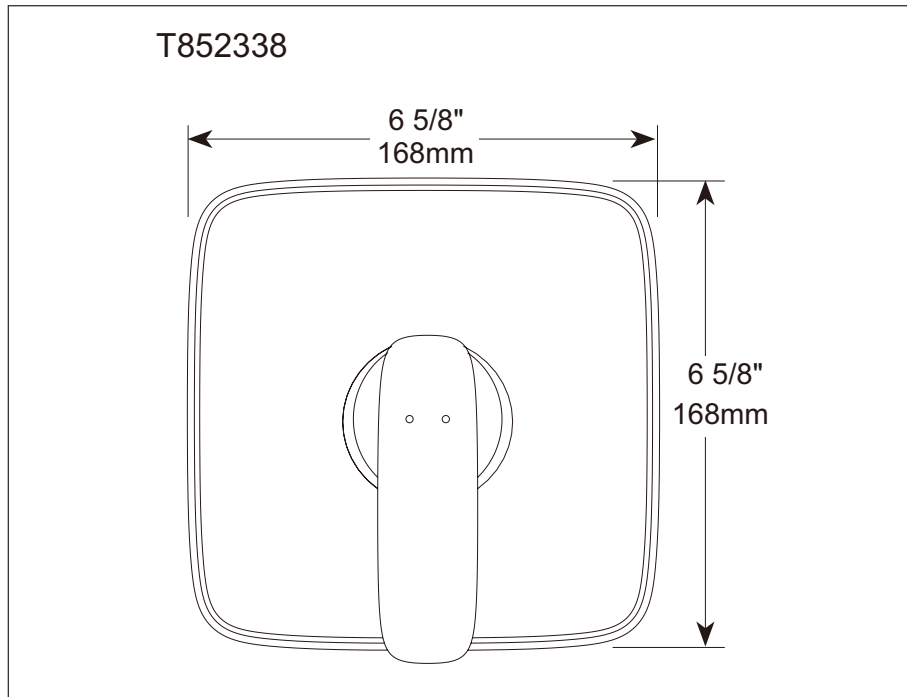
**Technical Specification**


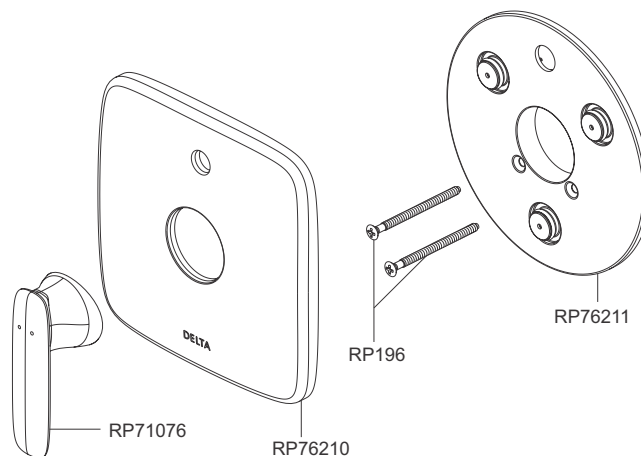
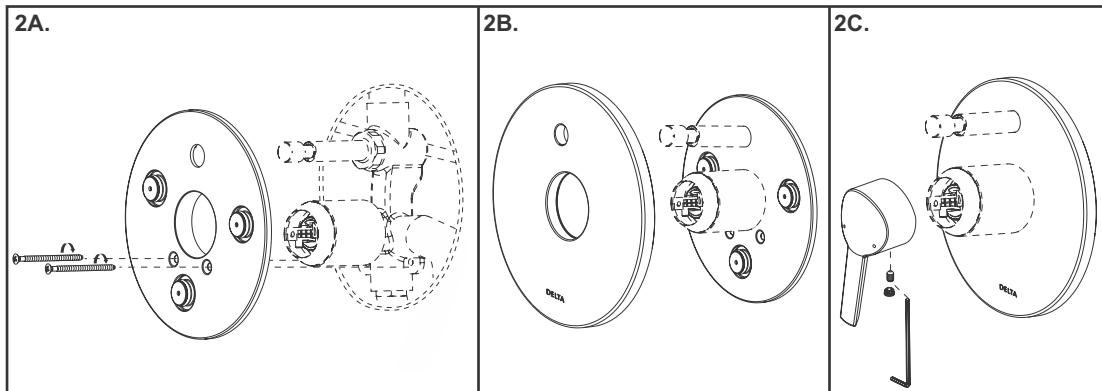
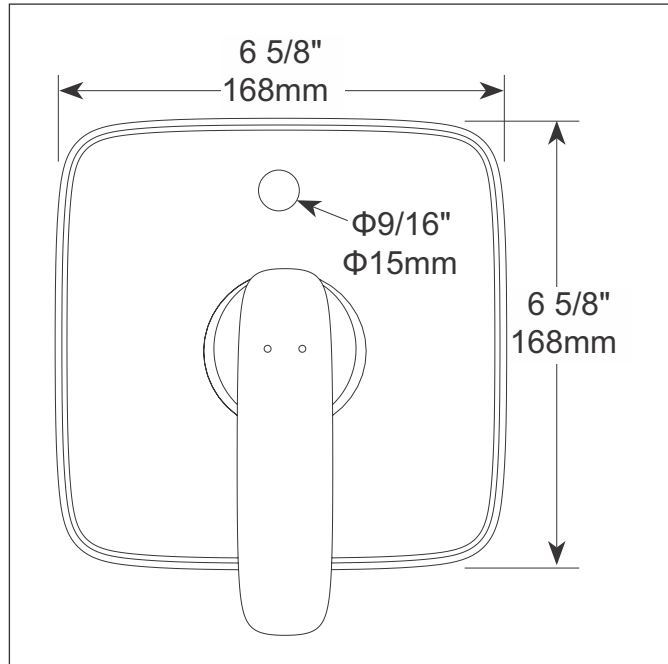
**Andian Tub Spout with Diverter to Handshower with Flange**
**ITS61338**
**Technical Specification**




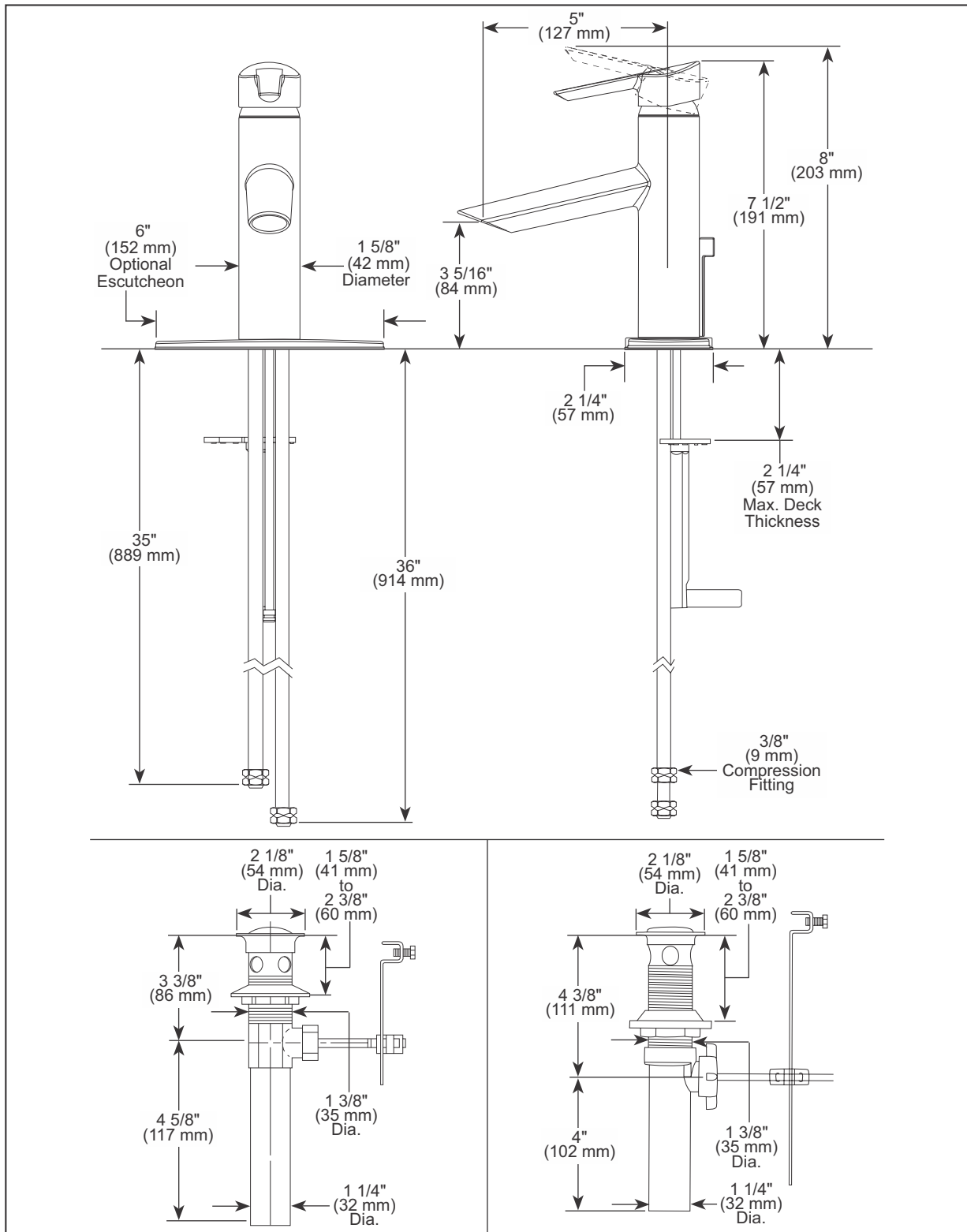
**Andian Tub Spout with Diverter to Handshower with Flange**
**ITS62338**
**Technical Specification**


## Technical Specification



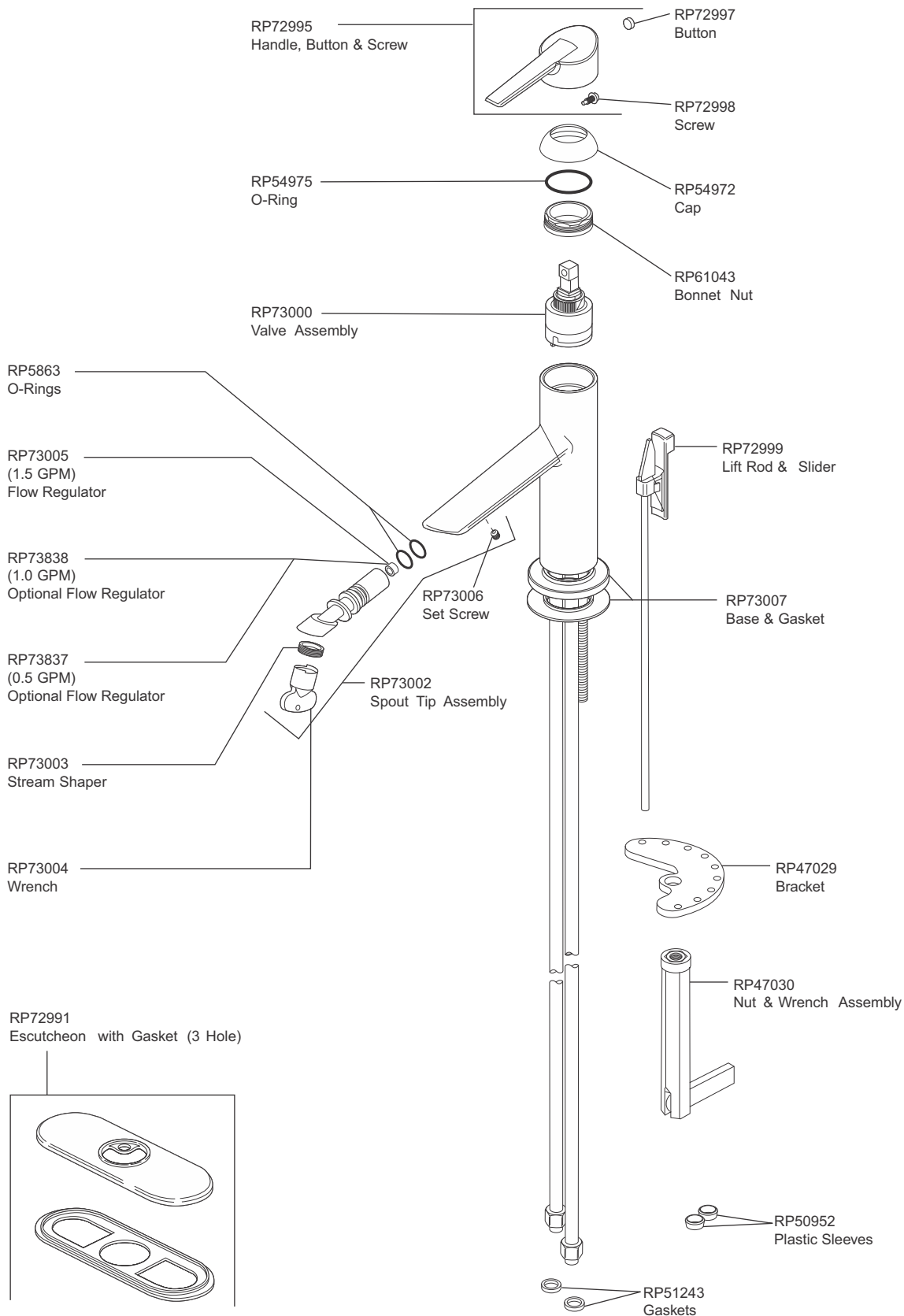
**Technical Specification**


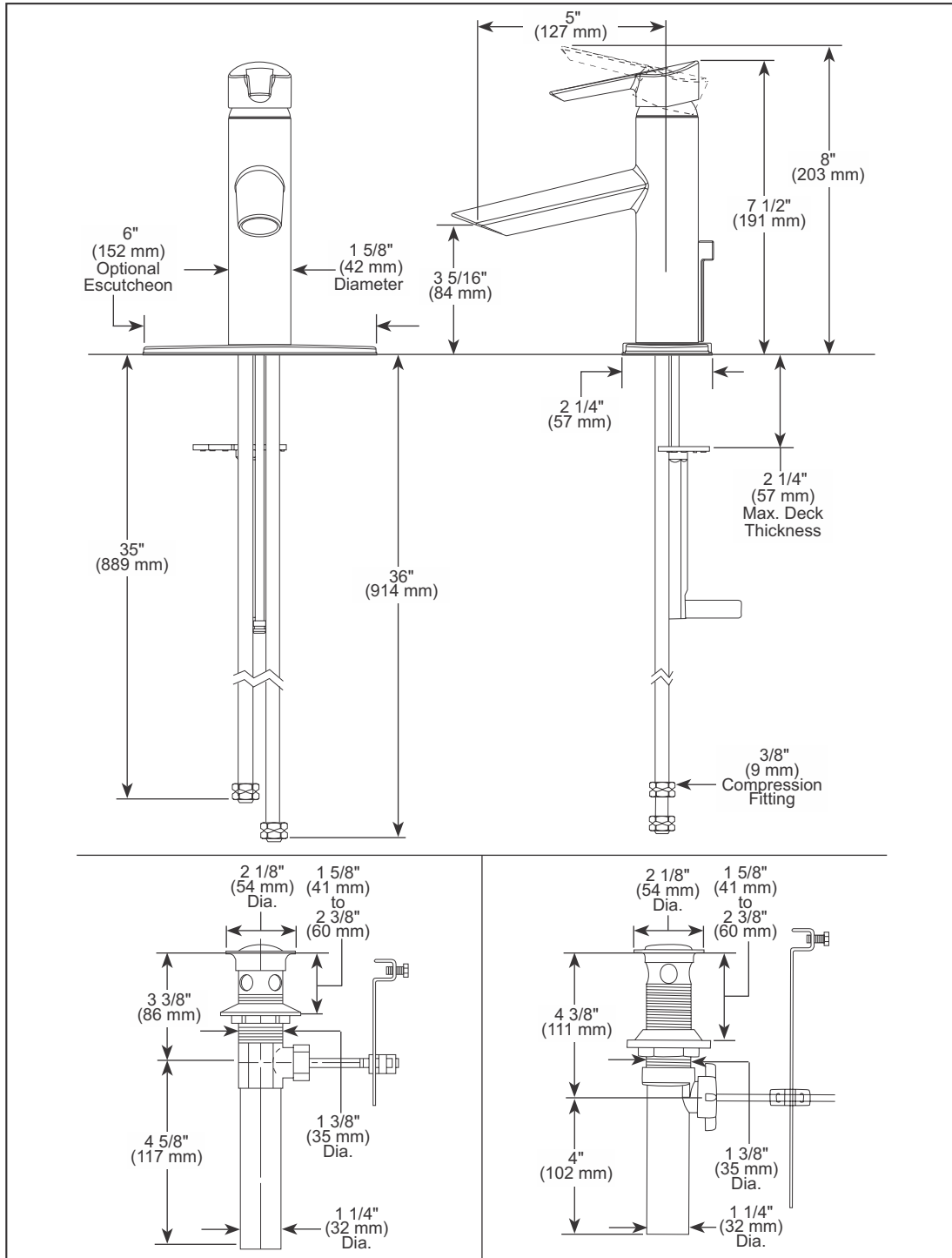
Technical Specification Sheet

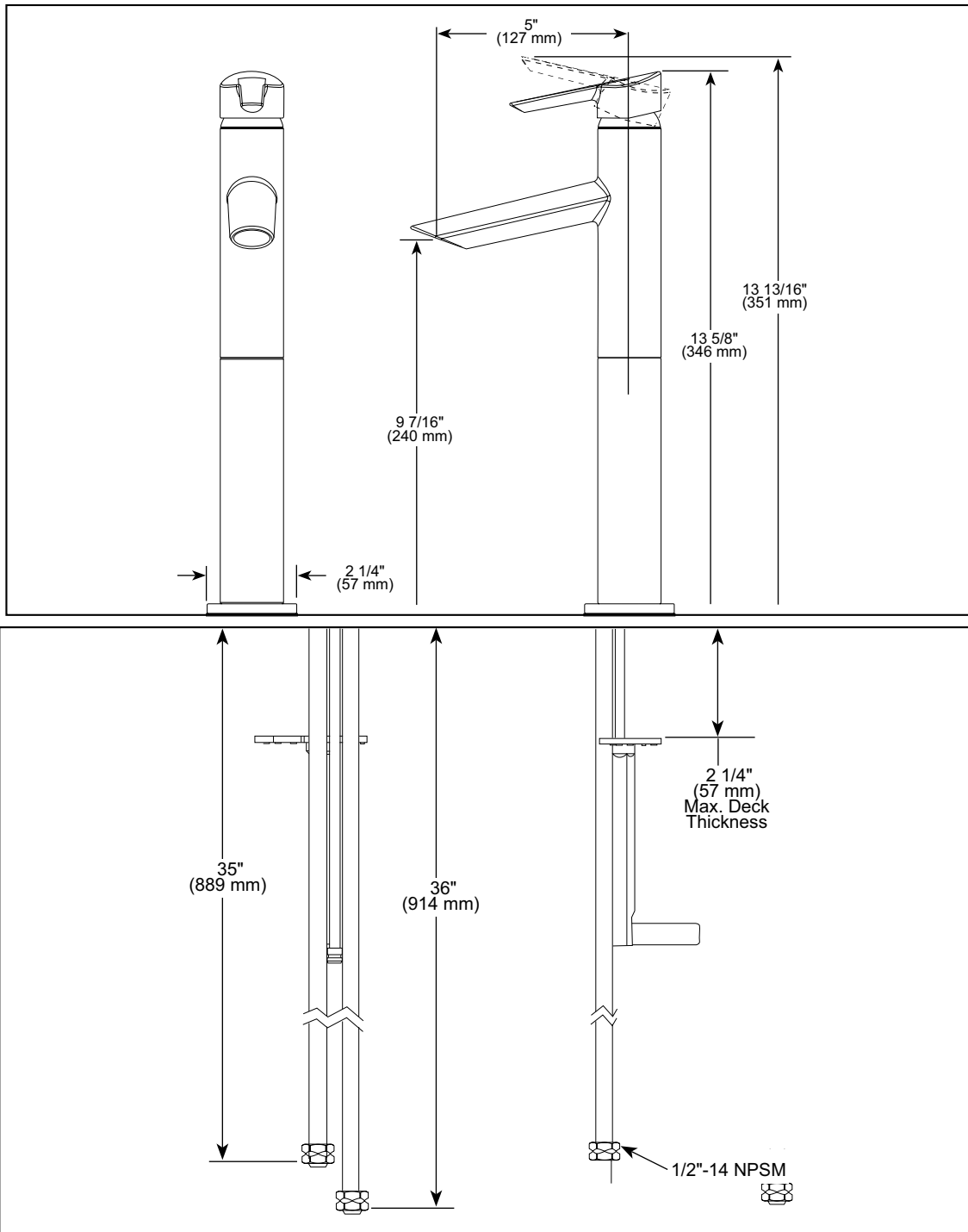


Compel Single Handle Lav Faucet less Pop Up

561LF-LPU

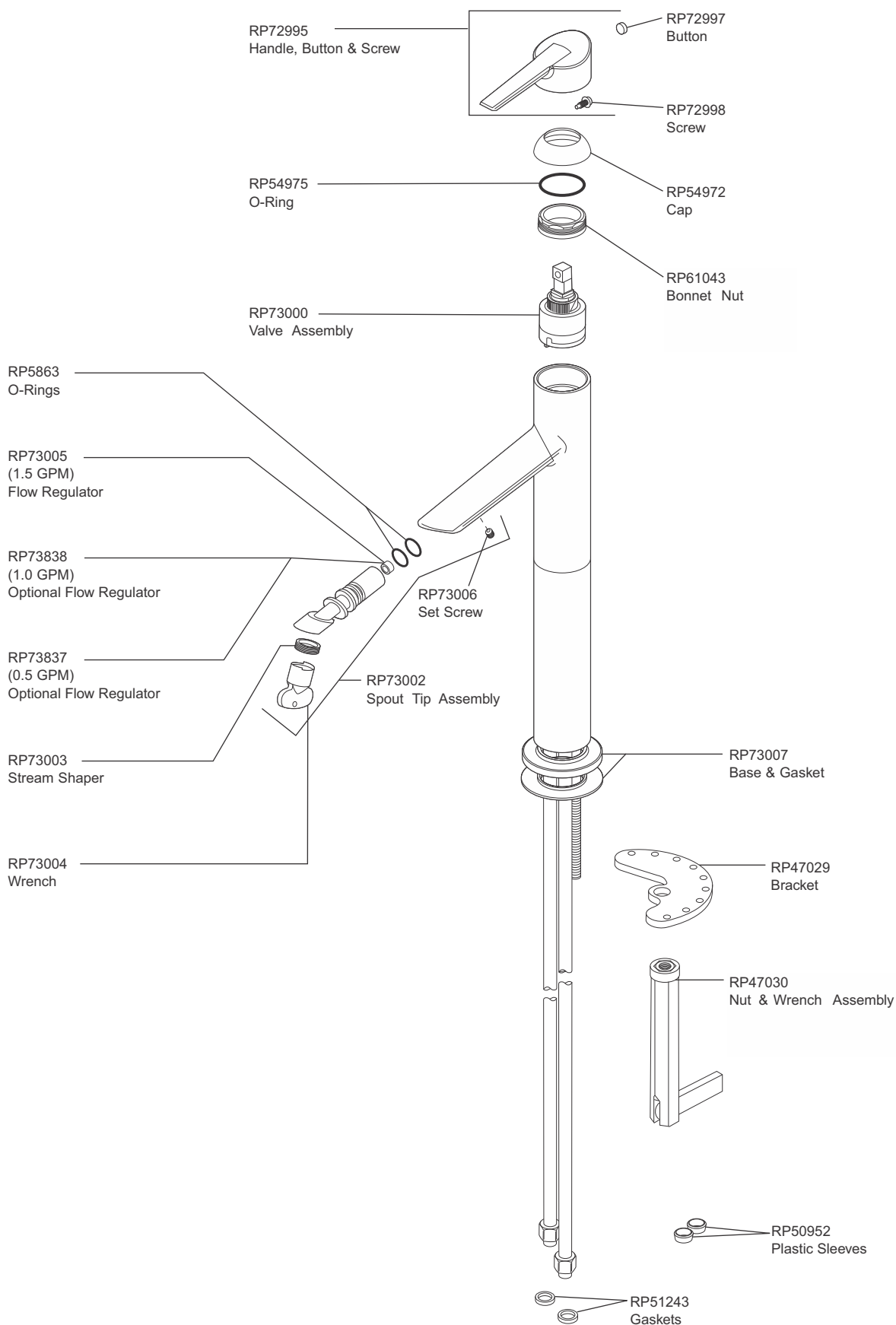


**Technical Specification Sheet**


**Technical Specification**


Compel Single Handle Tall Lav Faucet with Pop Up

761LF

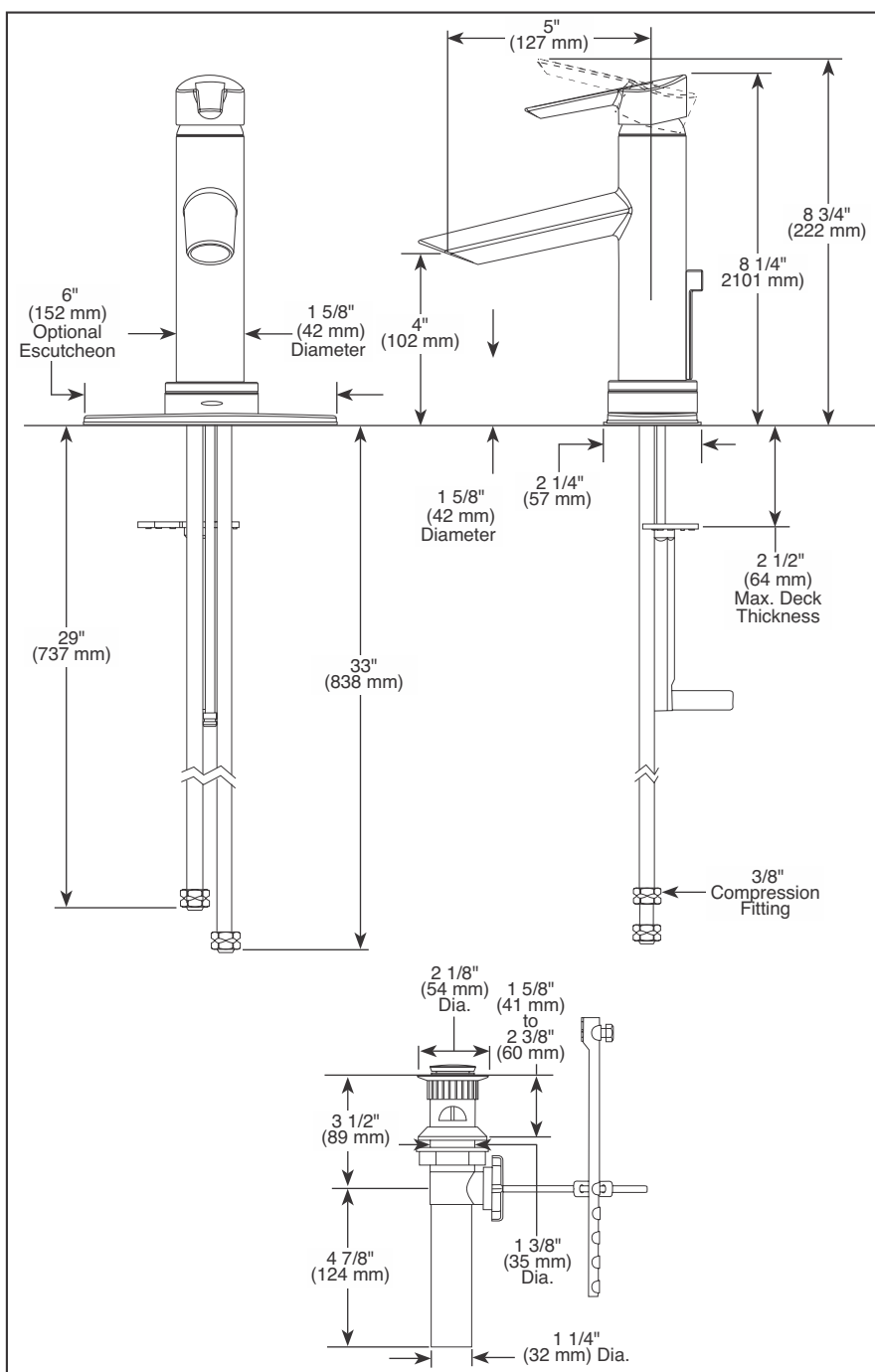




Compel Single Handle Lav Faucet with Touch2O.xt  
with Pop Up (with adapters)

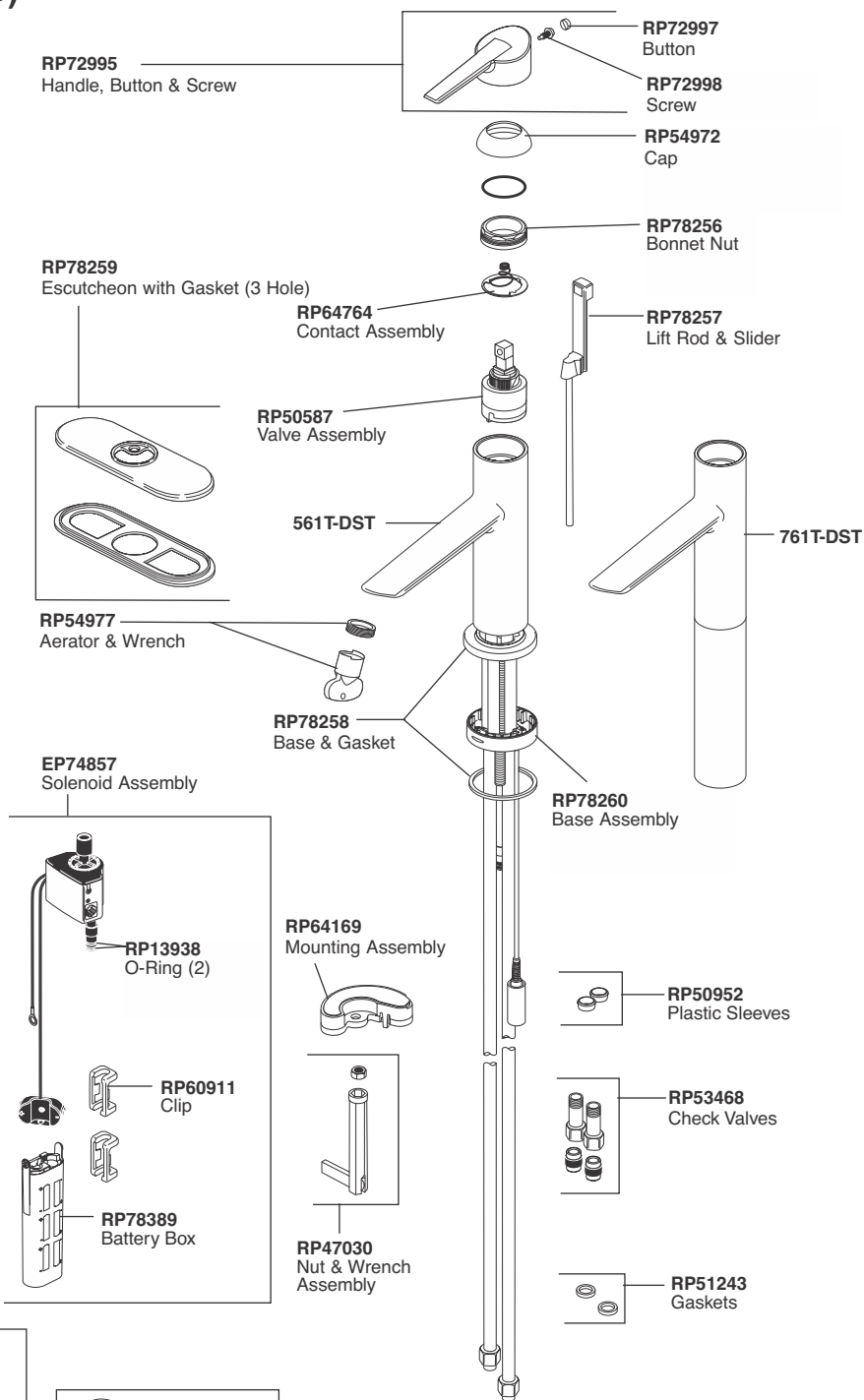
561T-DST-IN

Technical Specification Sheet






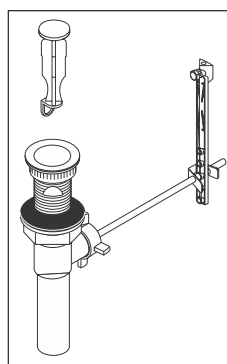
**Compel Single Handle Lav Faucet with Touch2O.xt  
with Pop Up (with adapters)**

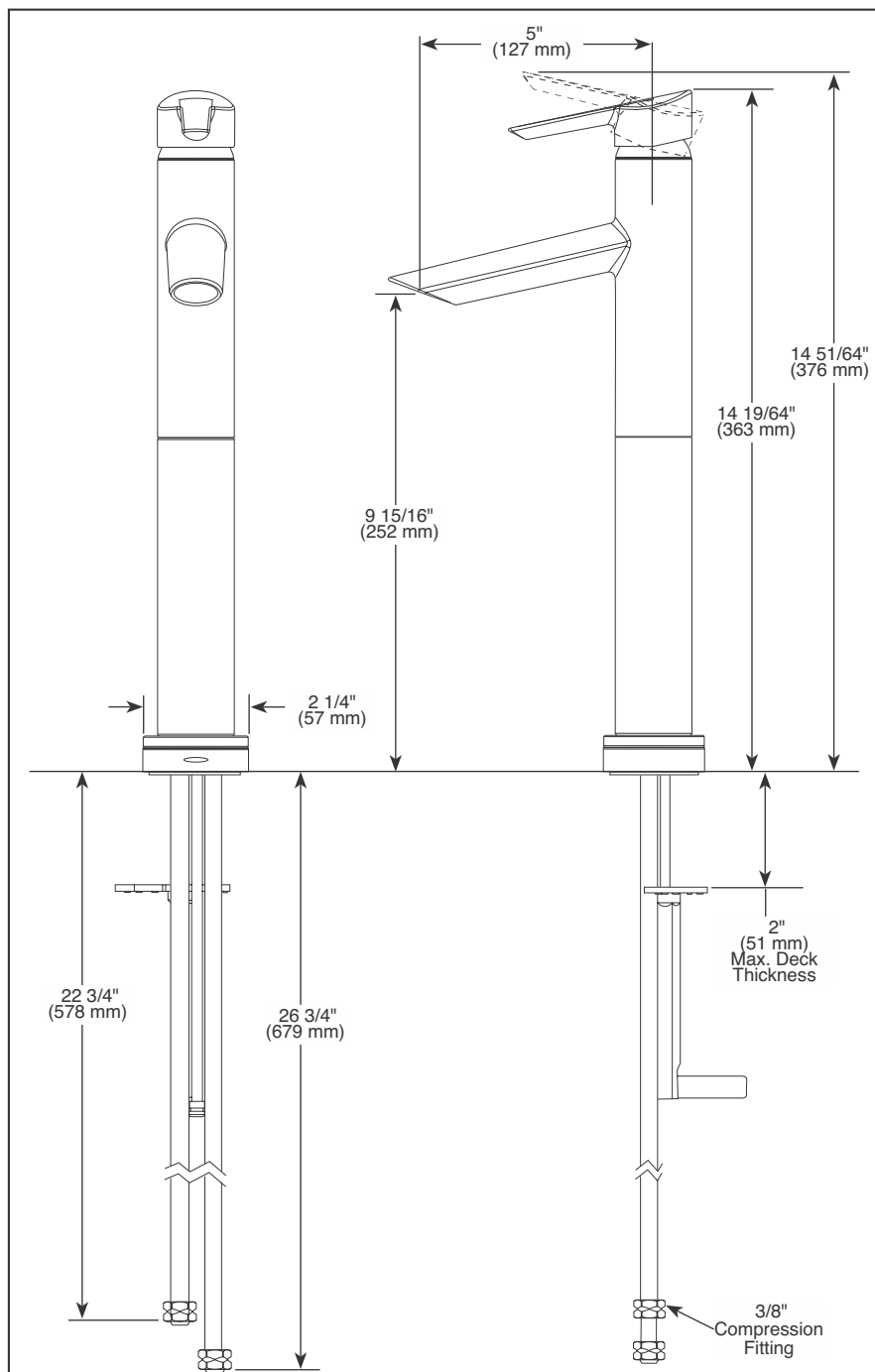
**561T-DST-IN**



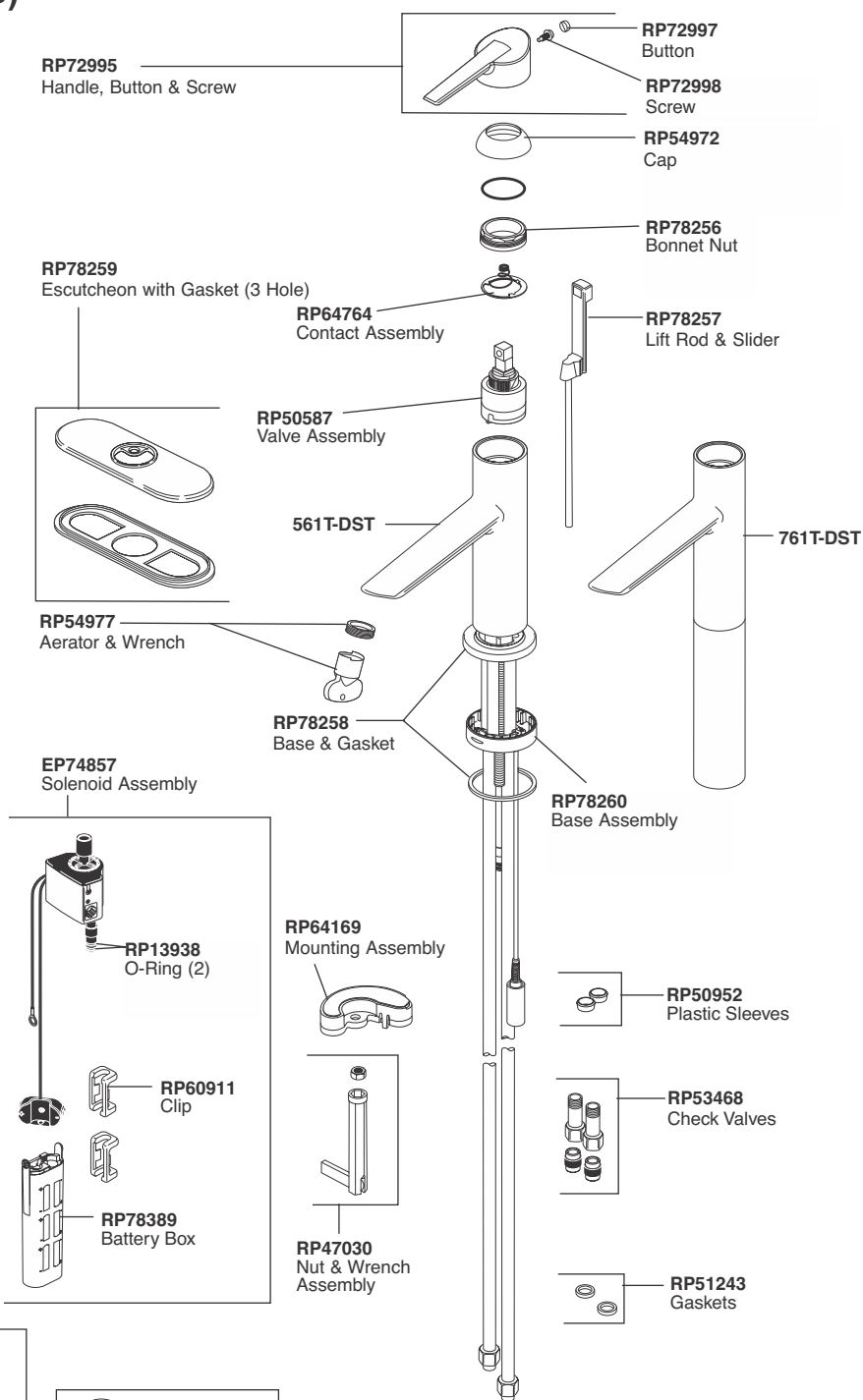
Other useful accessories that may be purchased separately.

<p><b>RP63263</b> Adapters 3/8"-24 UNEF to 1/2"-20 UN &amp; 3/8"-24 UNEF to 1/2"-14 NPSM</p> 
<p><b>RP63264</b> Adapters (10) 3/8"-24 UNEF to 1/2"-20 UN</p> 
<p><b>RP63265</b> Adapters (10) 3/8"-24 UNEF to 1/2"-14 NPSM</p> 

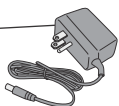


**Compel Single Handle Tall Lav Faucet with Touch2O.xt  
with Pop Up (with adapters)**
**761T-DST-IN**
**Technical Specification Sheet**


**Compel Single Handle Tall Lav Faucet with Touch2O.xt 761T-DST-IN with Pop Up (with adapters)**

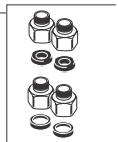


**EP73954**  
9 Volt Power Supply  
(Accessory Order Only)

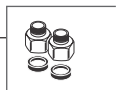


**Other useful accessories that may be purchased separately.**

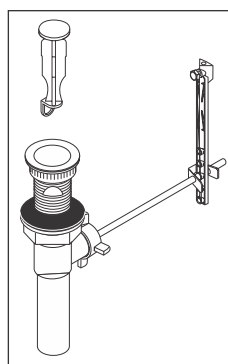
**RP63263**  
Adapters  
3/8"-24 UNEF to 1/2"-20 UN &  
3/8"-24 UNEF to 1/2"-14 NPSM



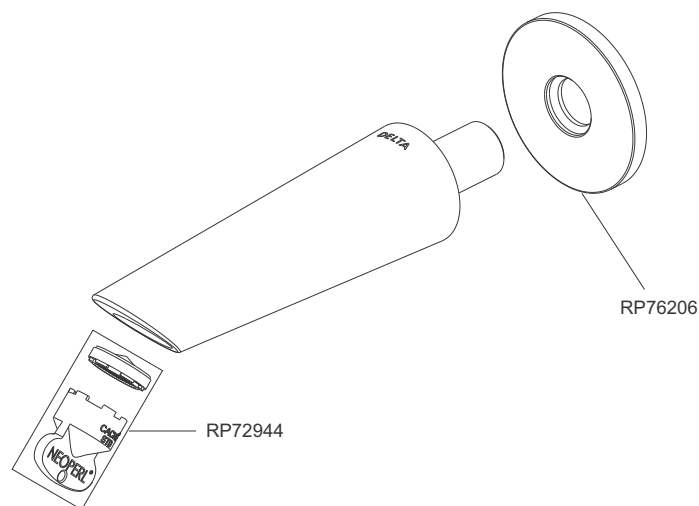
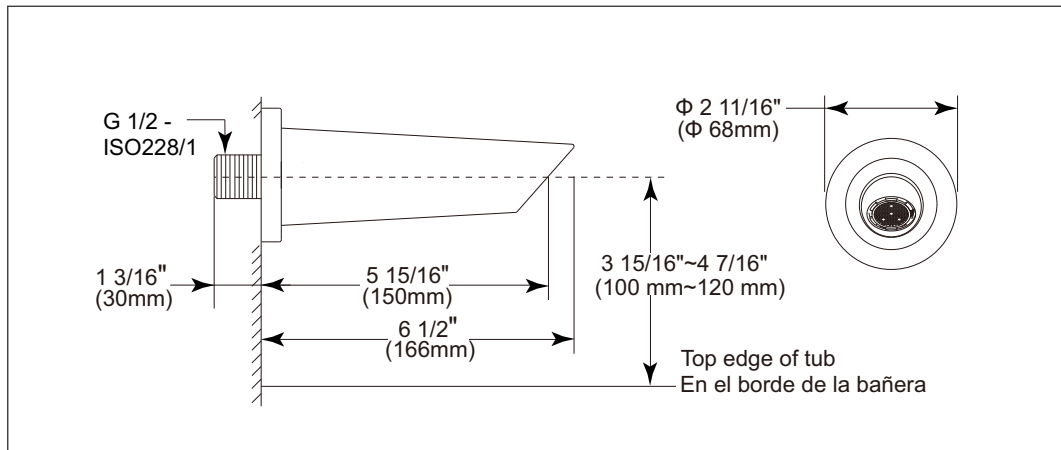
**RP63264**  
Adapters (10) 3/8"-24 UNEF to 1/2"-20 UN

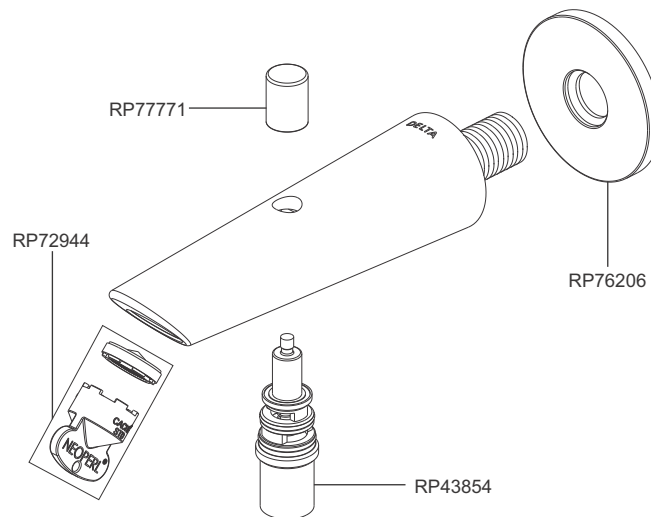
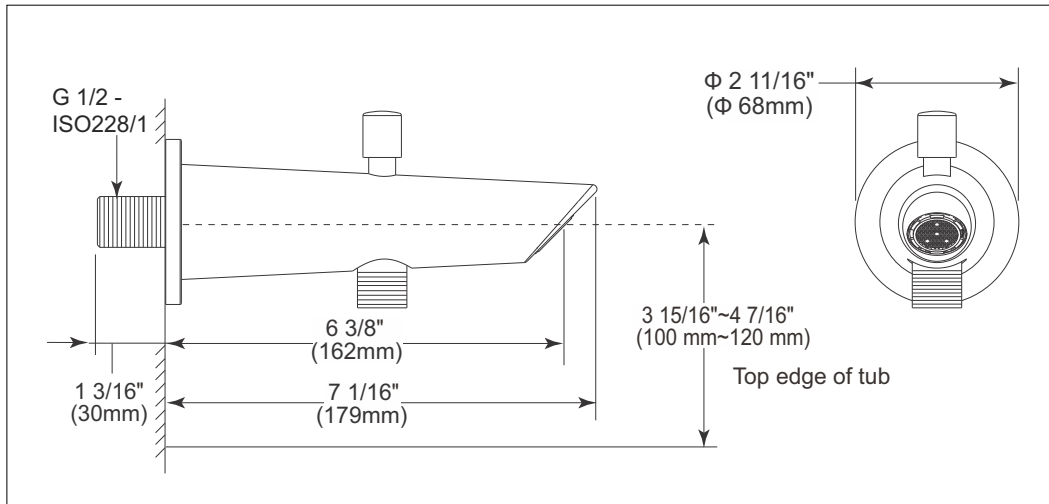


**RP63265**  
Adapters (10) 3/8"-24 UNEF to 1/2"-14 NPSM

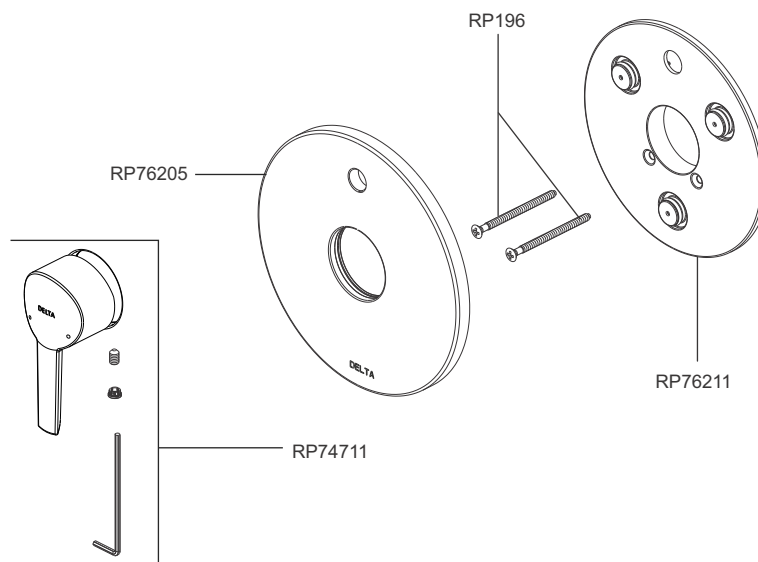
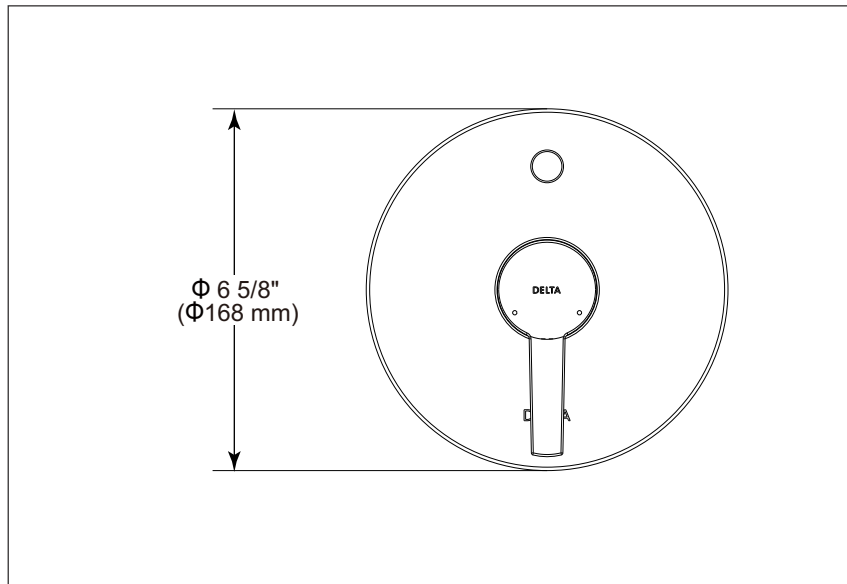


**RP41587**  
Plastic Pop-Up Assembly  
Less Lift Rod

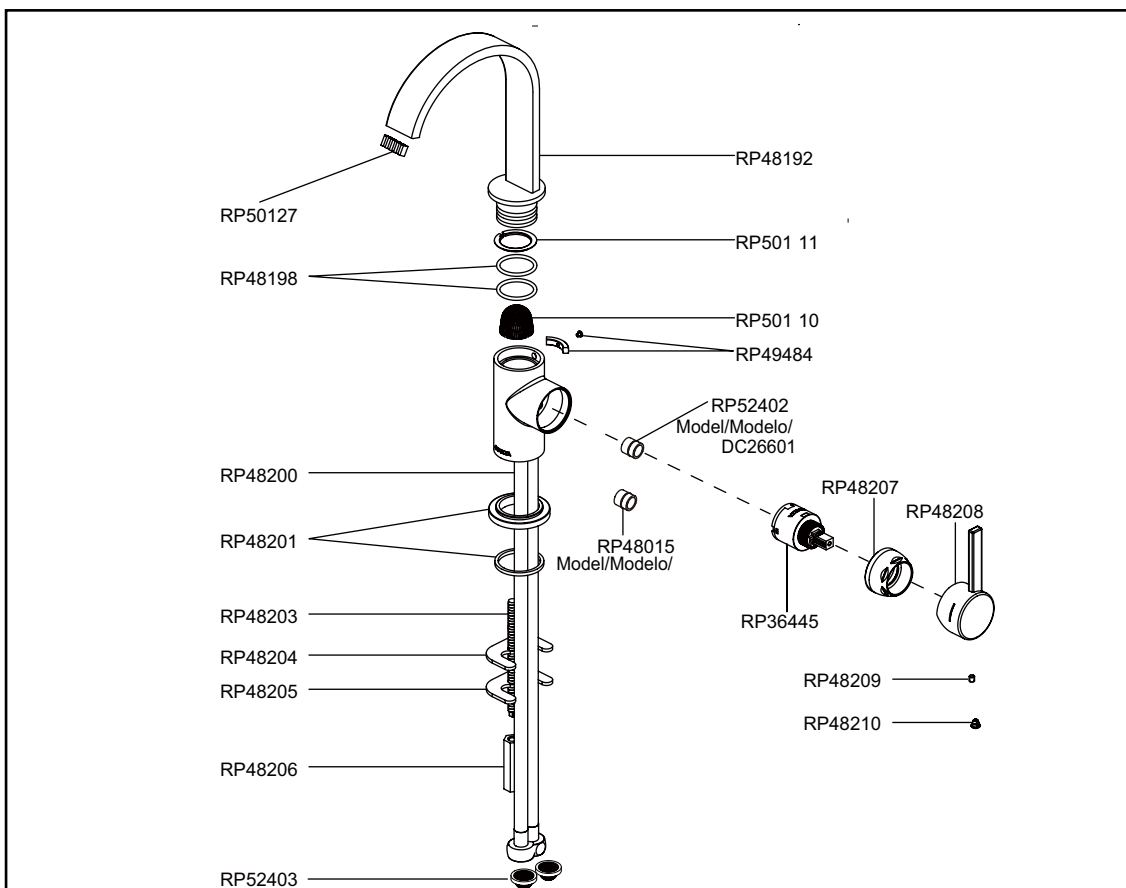
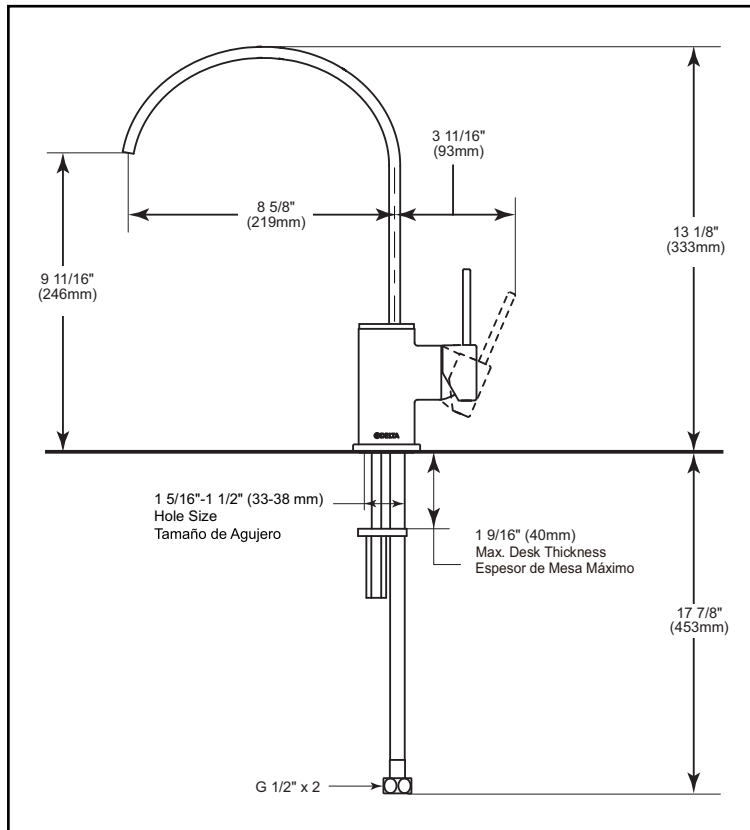
**Technical Specification**


**Compel Tub Spout with Diverter to Handshower with Flange**
**ITS6261**
**Technical Specification**


## Technical Specification



Technical Specification Sheet

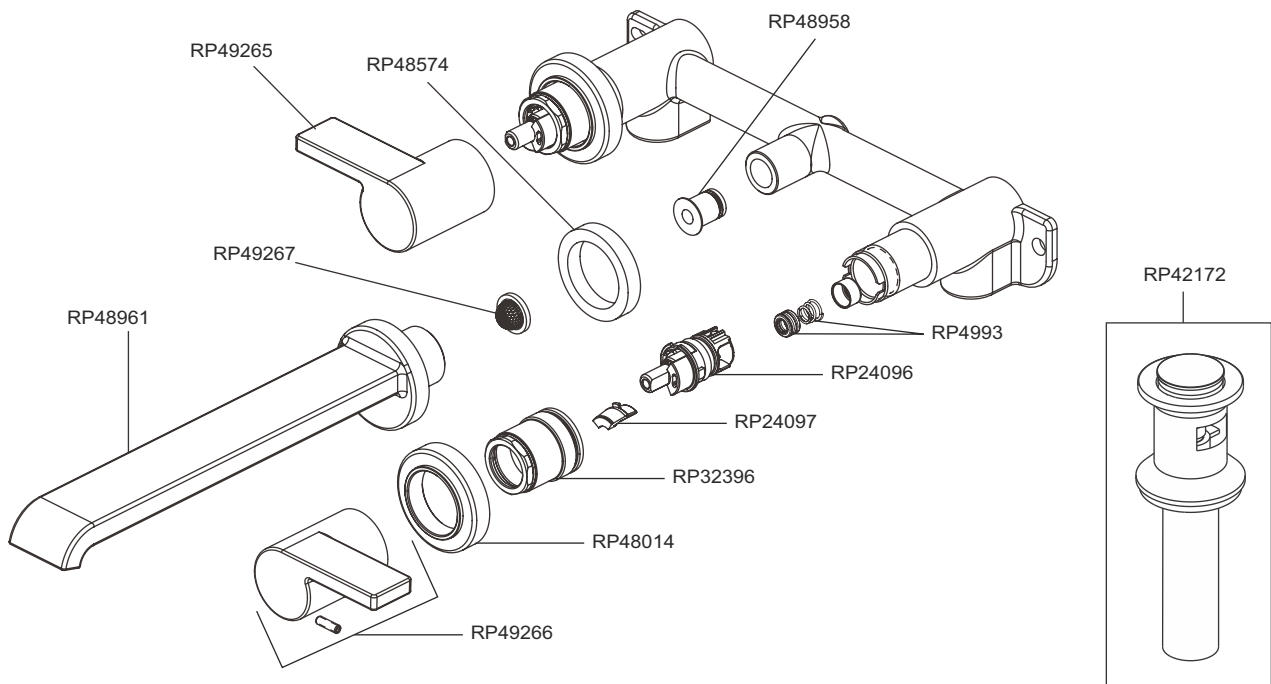
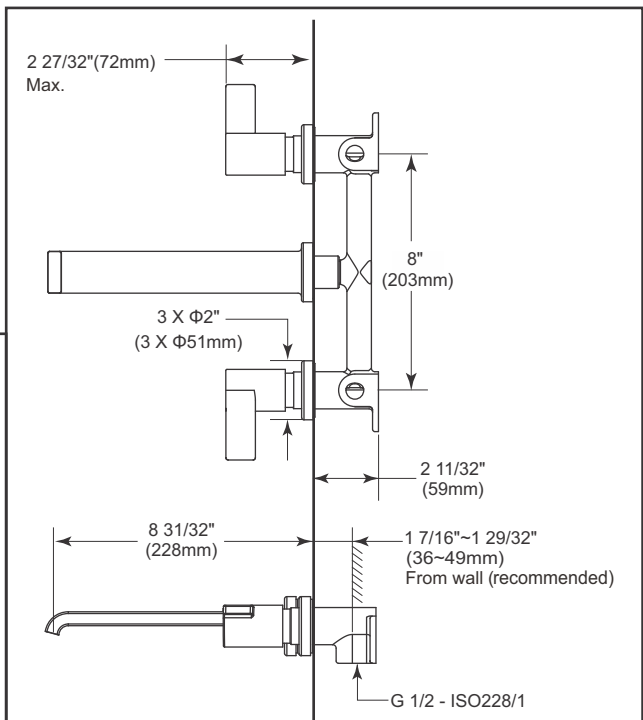
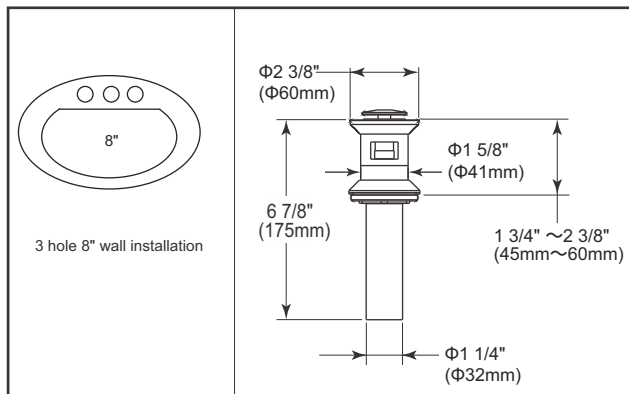




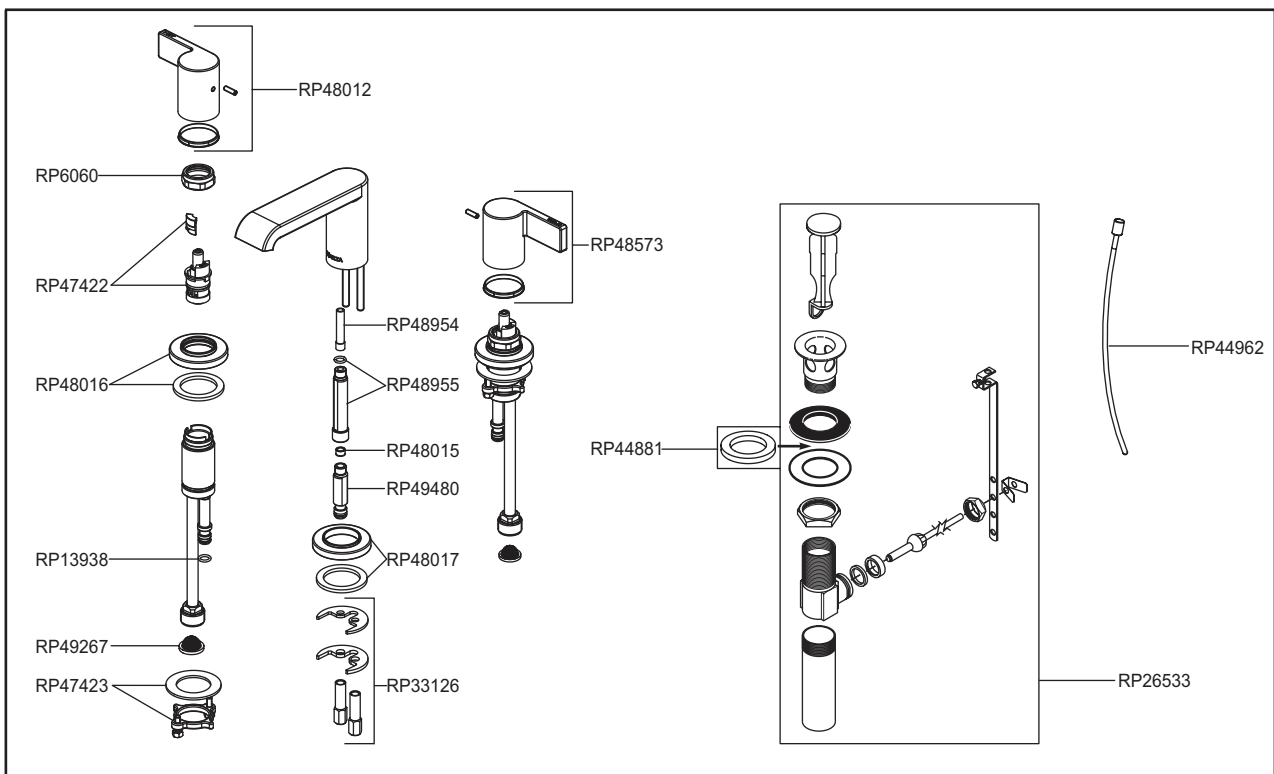
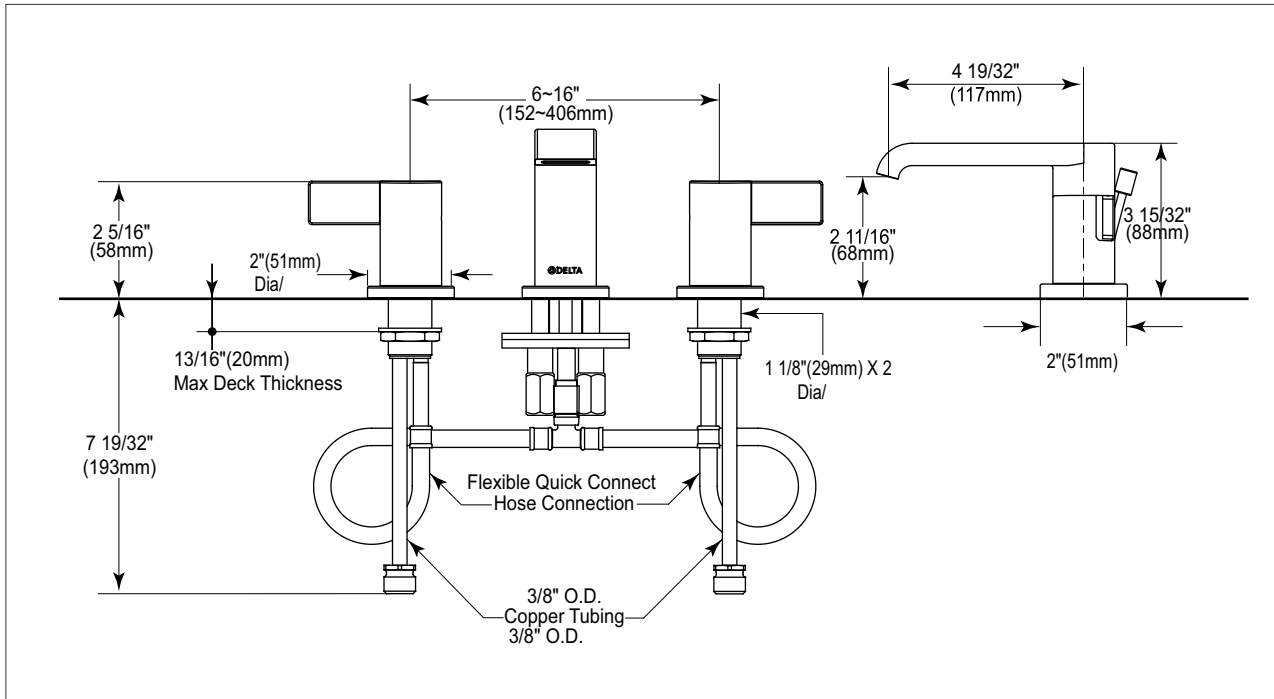
Mandolin 2-Handle Wall Mount Lav Faucet

26532

Technical Specification Sheet



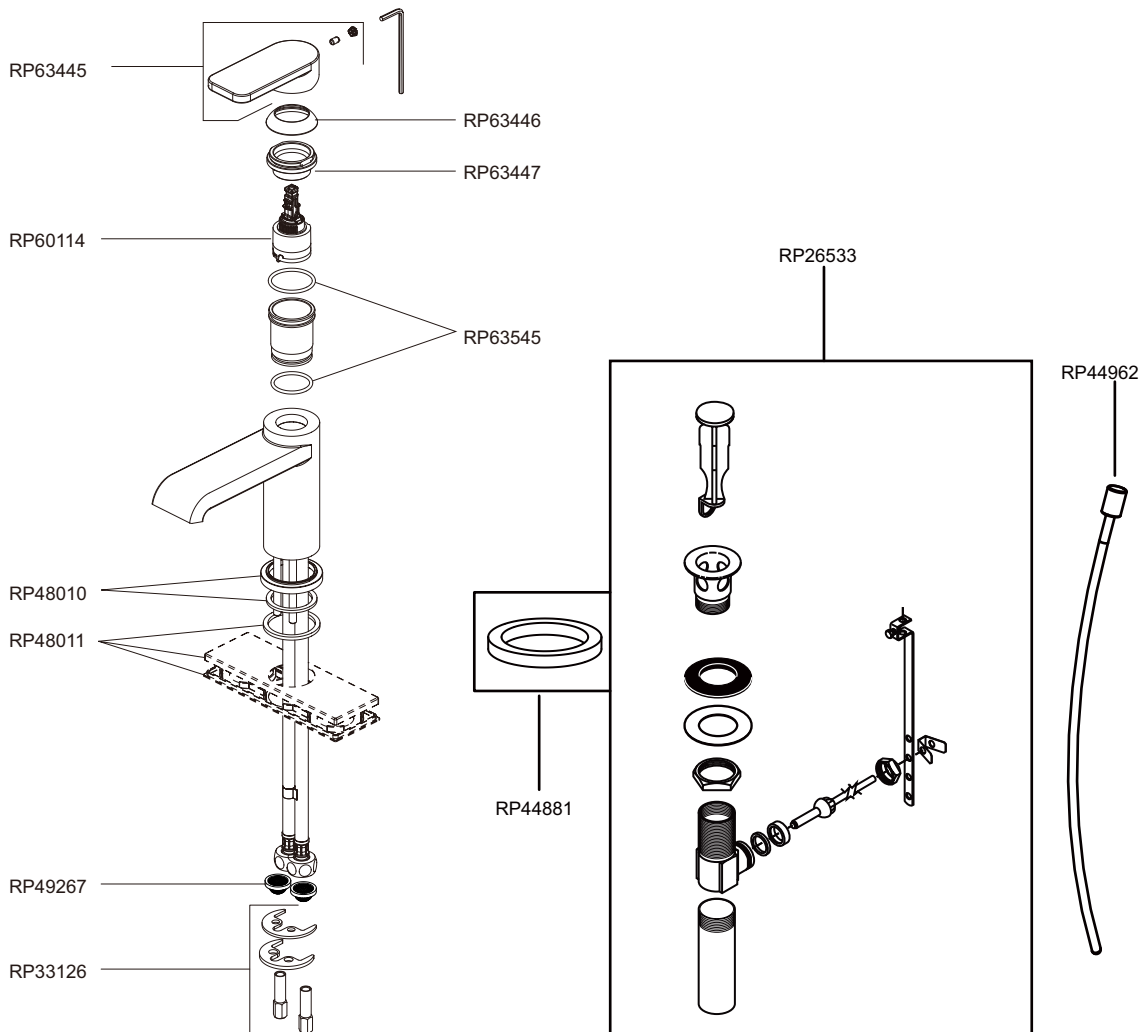
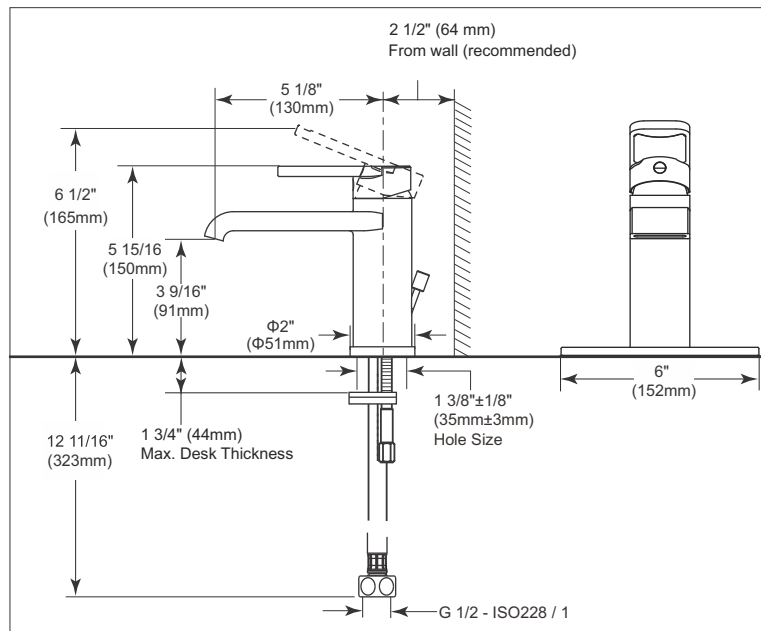
Technical Specification Sheet



Mandolin Single Handle Lav Faucet with Pop Up

26530-DV

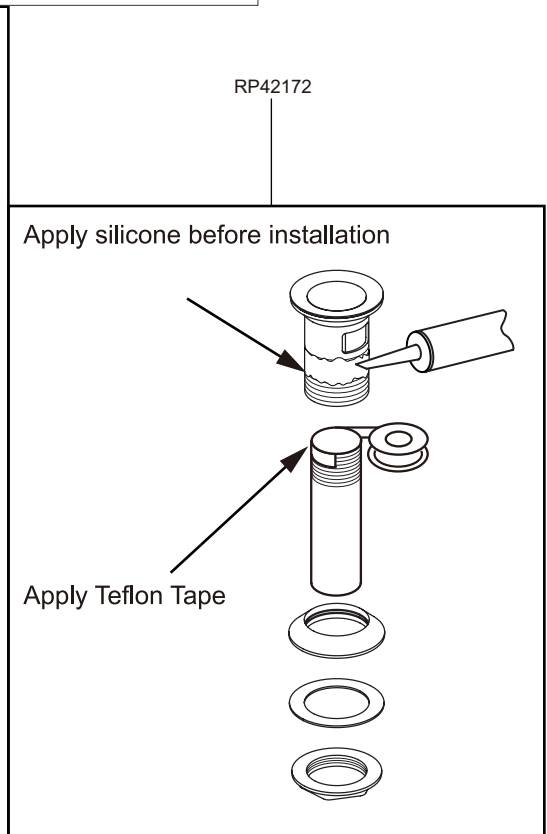
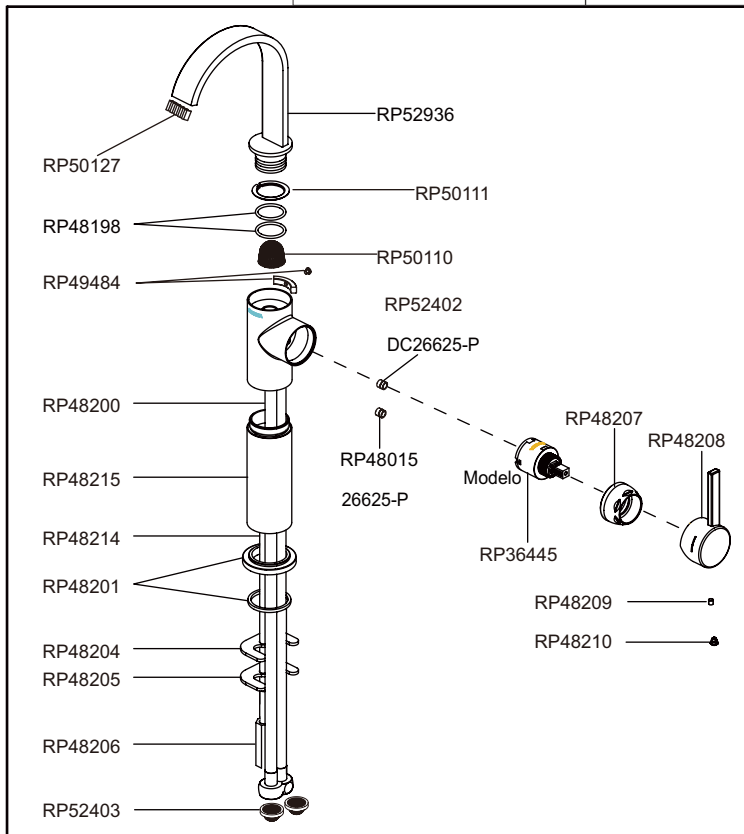
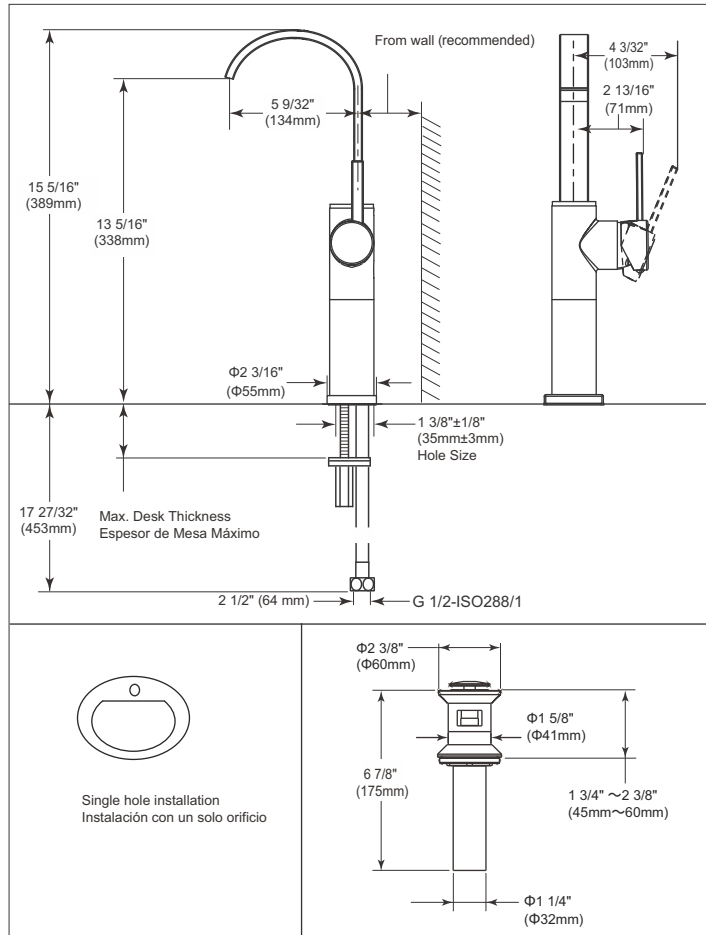
Technical Specification Sheet

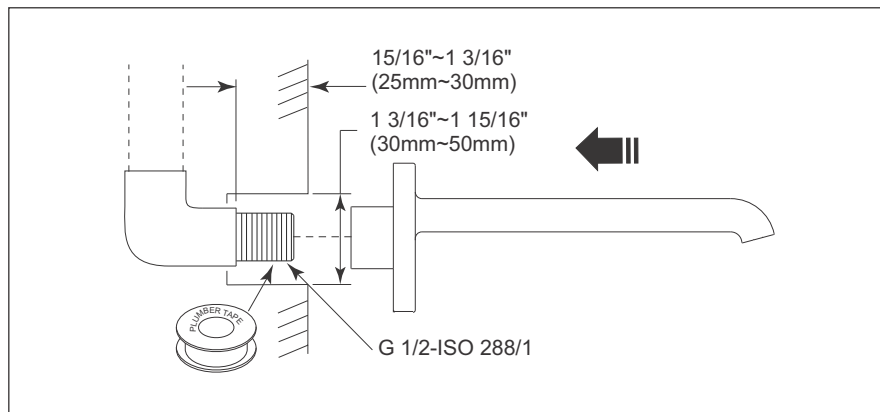
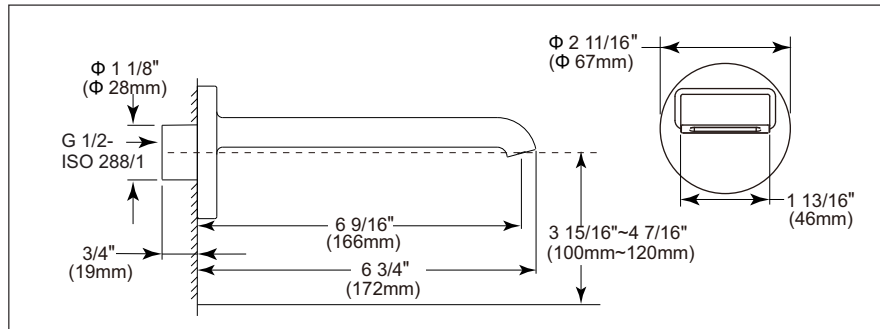


Mandolin Single Handle Tall Lav Faucet with Pop Up

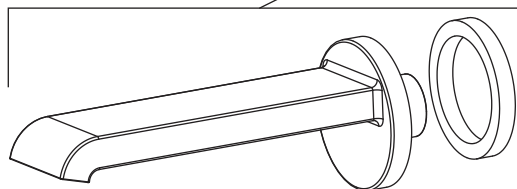
26625-P

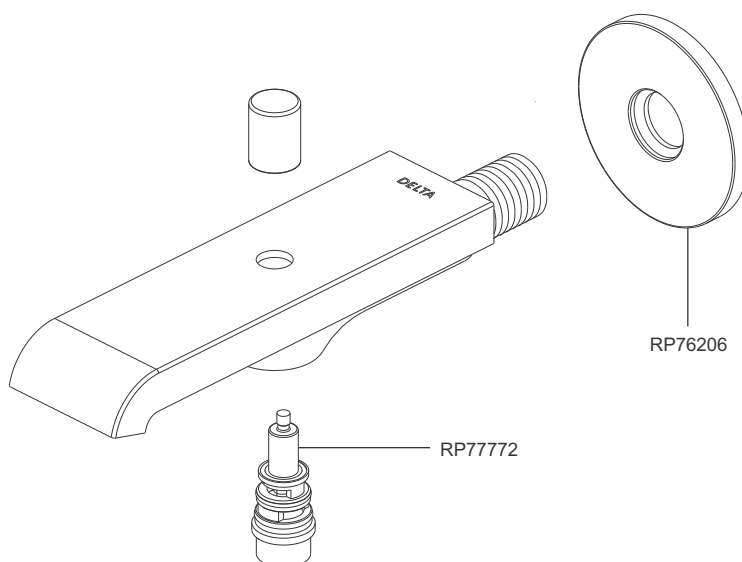
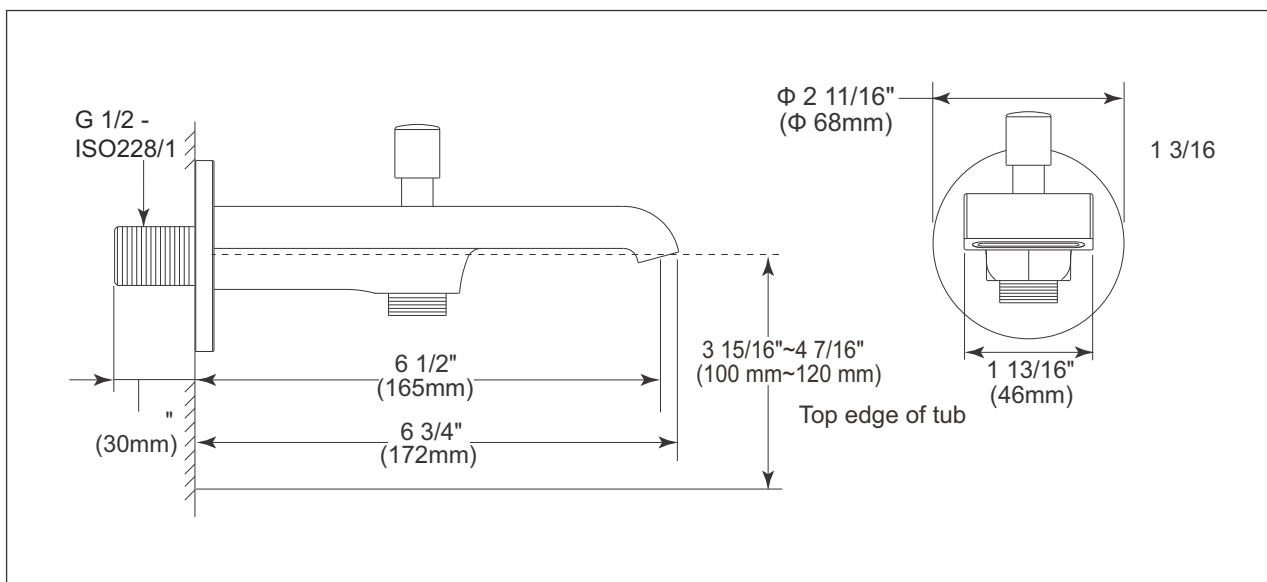
Technical Specification Sheet

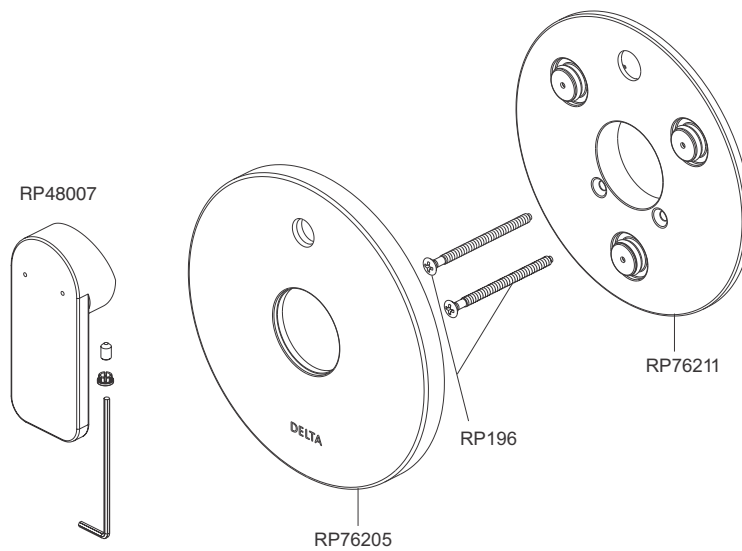
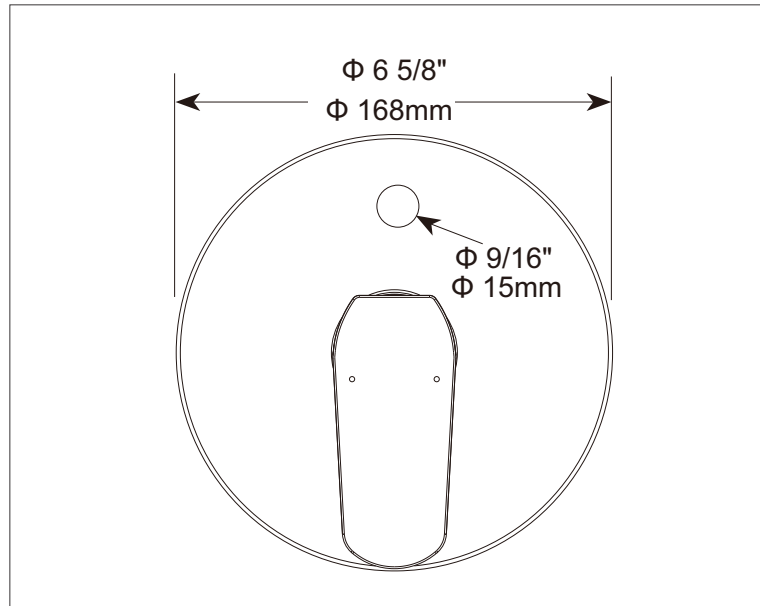


**Mandolin Tub Spout without Diverter with Flange**
**RP48023**
**Technical  
Specification  
Sheet**


RP48023



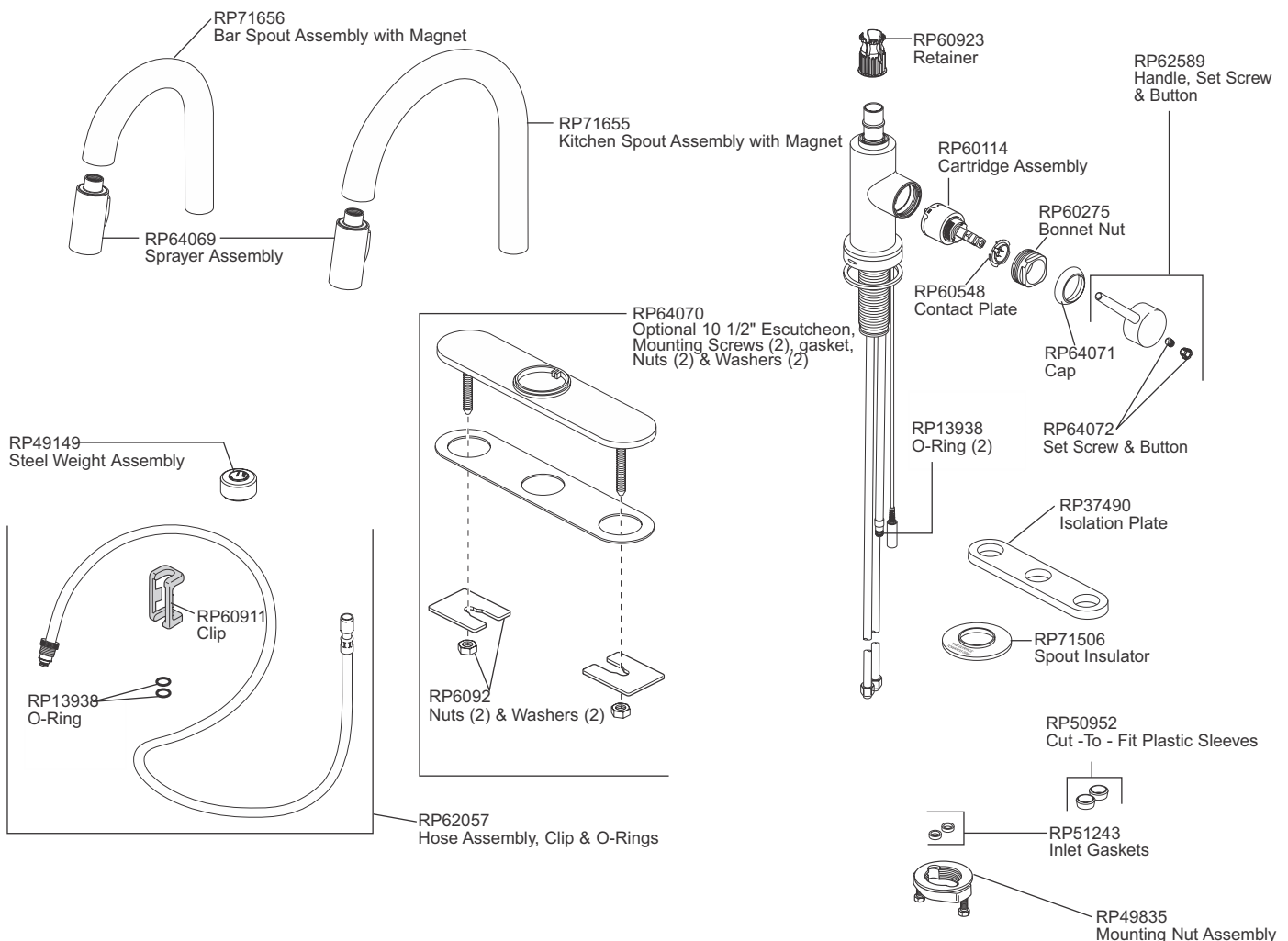
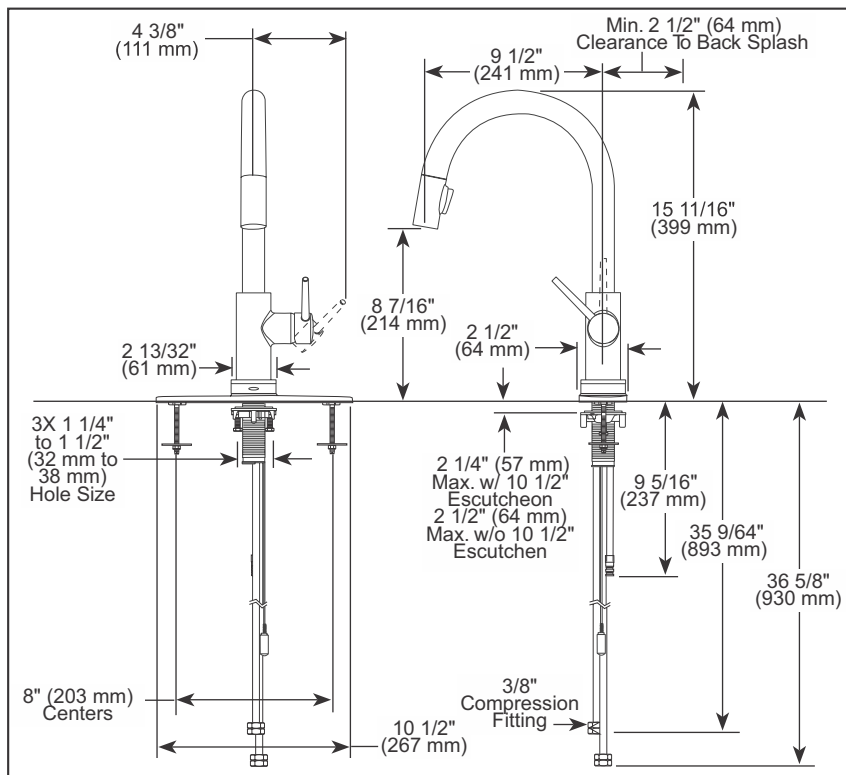
**Mandolin Tub Spout with Diverter to Handshower with Flange**
**ITS62265**
**Technical Specification Sheet**


**Mandolin In-Wall Tub & Shower Trim  
with Push-Button Diverter****T853265****Technical Specification Sheet**

Trinsic Pull-Down Kitchen Faucet with Touch2O

9159T-DST

Technical Specification Sheet



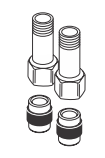


**EP74855 n**  
Solenoid Assembly  
n For PC, CZ, AR & SS finishes order EP74855.  
For BL & RB finishes order EP74855XX


**RP50952**  
Cut-To-Fit Plastic Sleeves



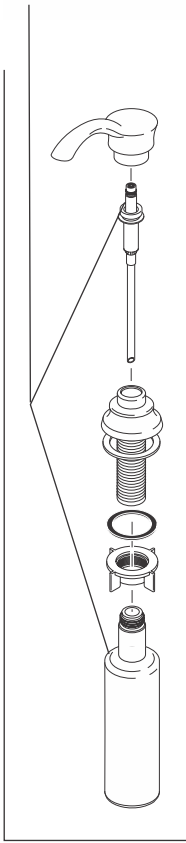
**RP53468**  
Check Valves



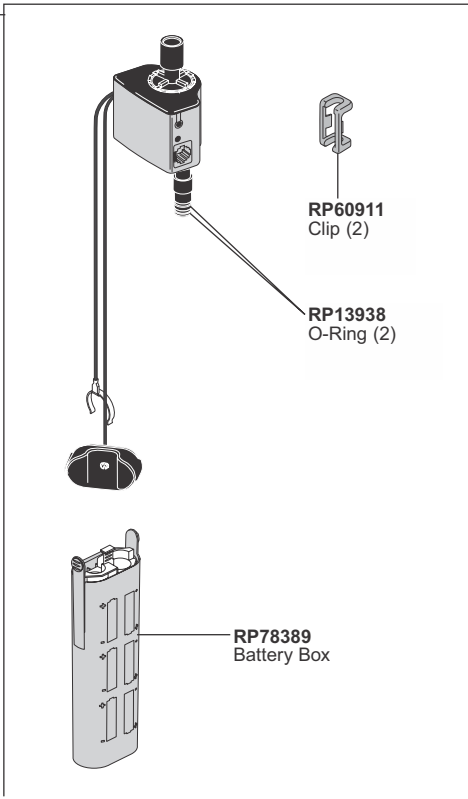
**EP73954**  
9 Volt Power Supply  
(Accessory Order Only)



**RP47888**  
Pump & Bottle

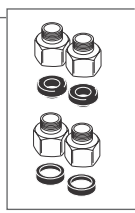


**RP71543**  
Soap Dispenser  
(Accessory Order Only)

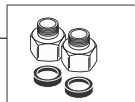


**Other useful accessories that may be purchased separately.**

**RP63263**  
Adapters  
3/8"-24 UNEF to 1/2"-20 UN &  
3/8"-24 UNEF to 1/2"-14 NPSM



**RP63264**  
Adapters (10) 3/8"-24 UNEF to 1/2"-20 UN



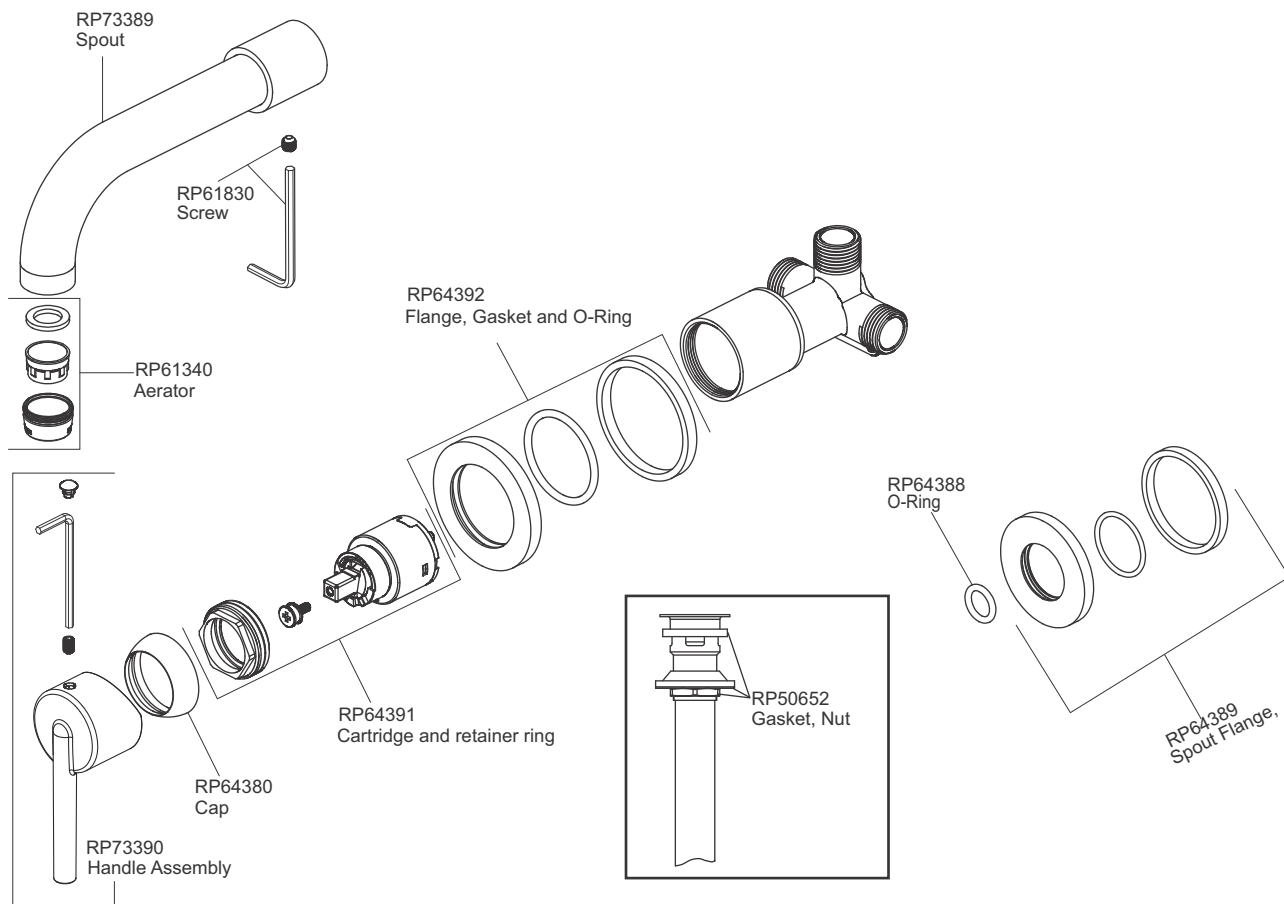
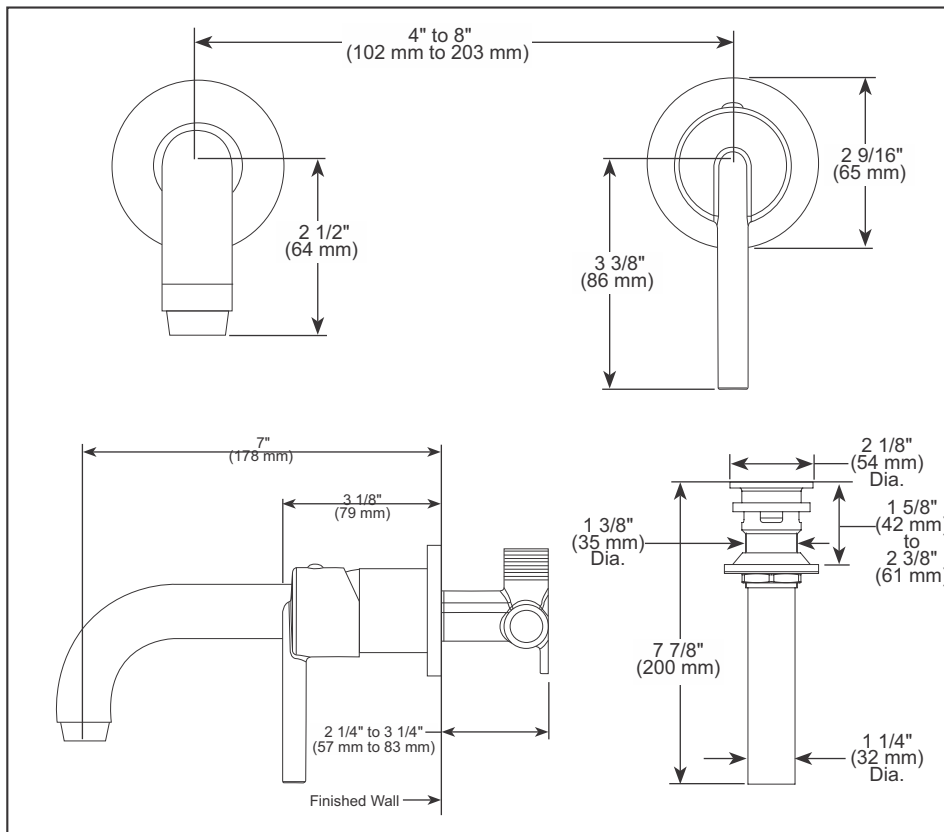
**RP63265**  
Adapters (10) 3/8"-24 UNEF to 1/2"-14 NPSM



Trinsic Single Handle Wall Mount Lav Faucet Bundle

3559LF-WL

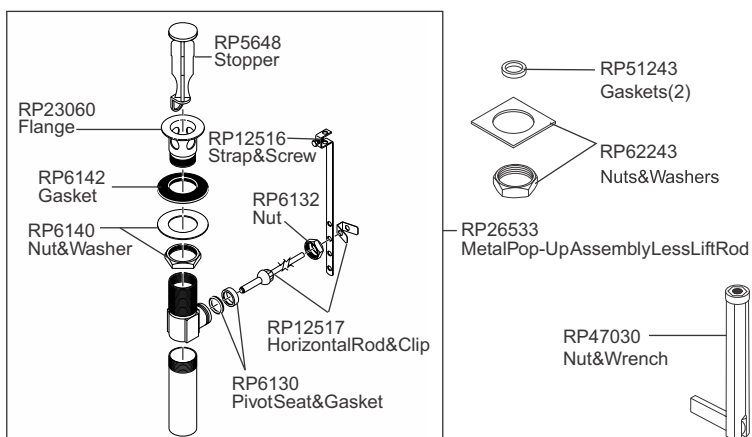
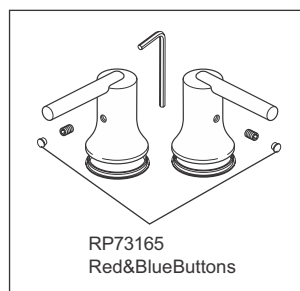
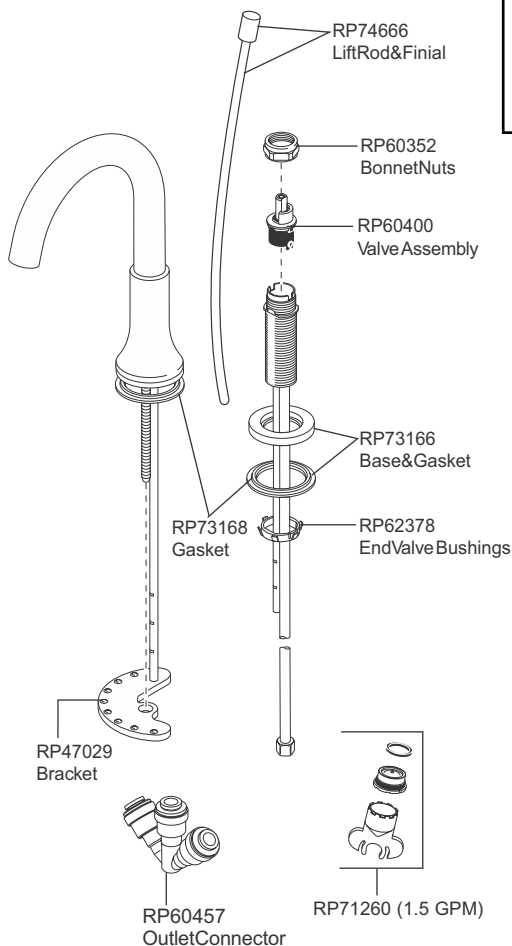
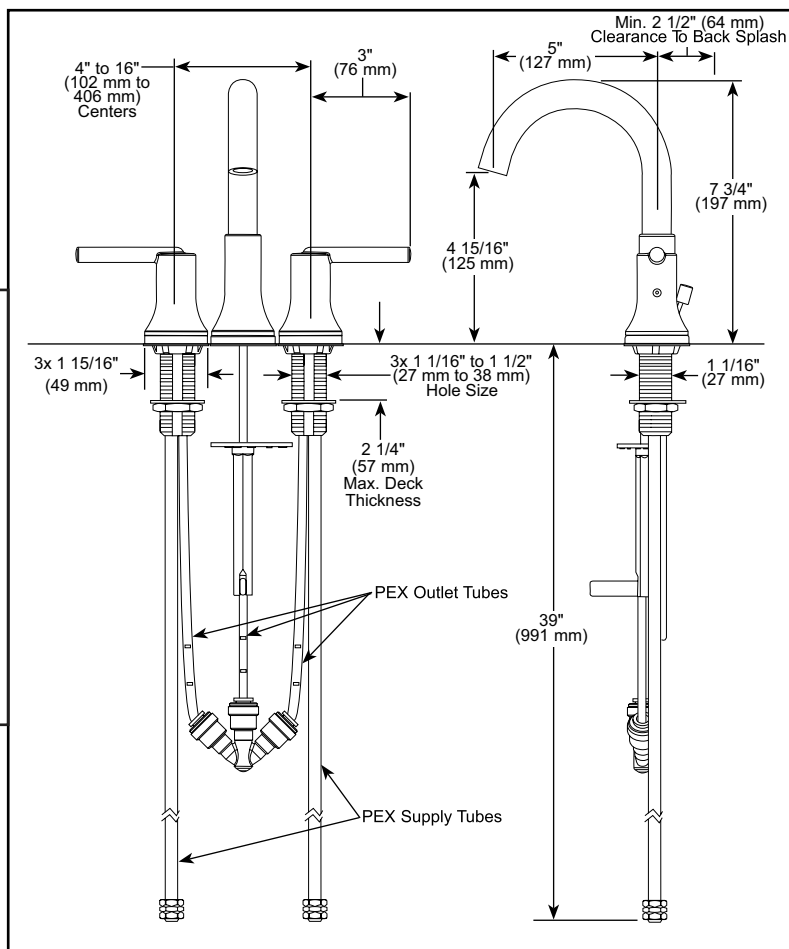
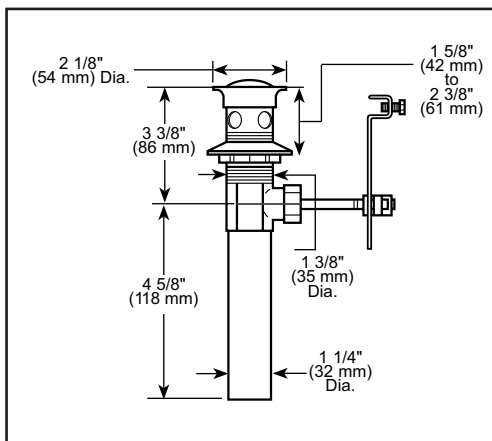
Technical Specification Sheet



Trinsic 2-Handle Deck Mount Lav Faucet

3559-MPU-DST

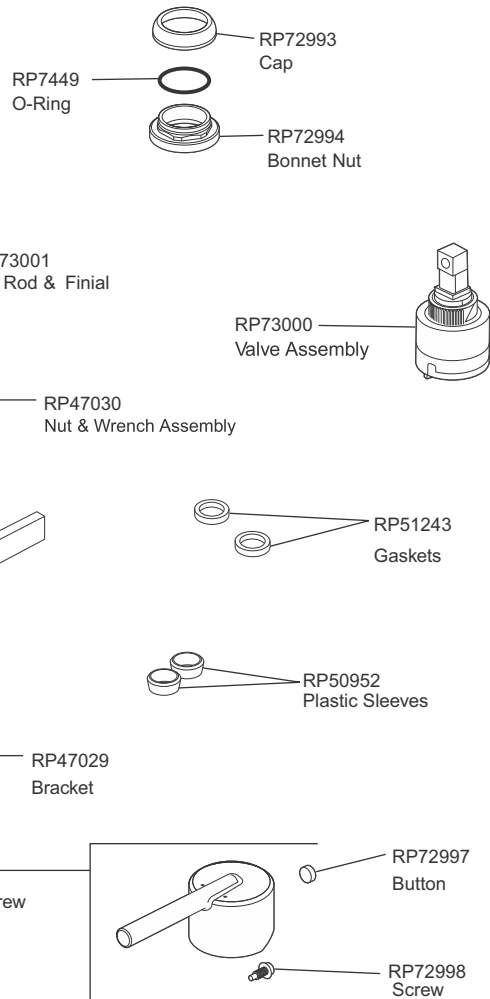
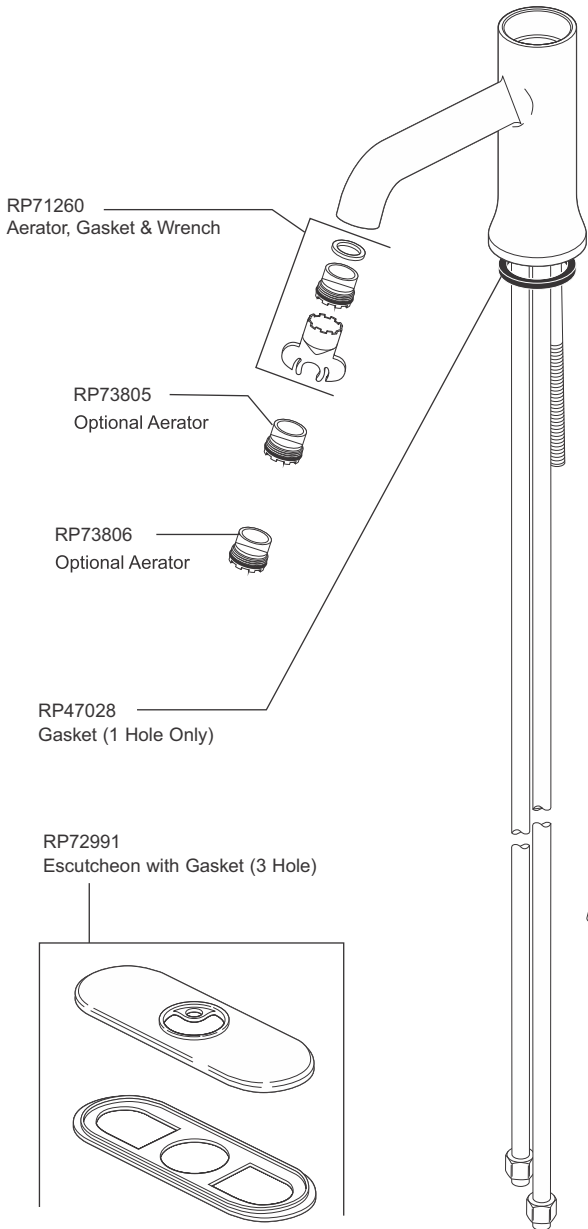
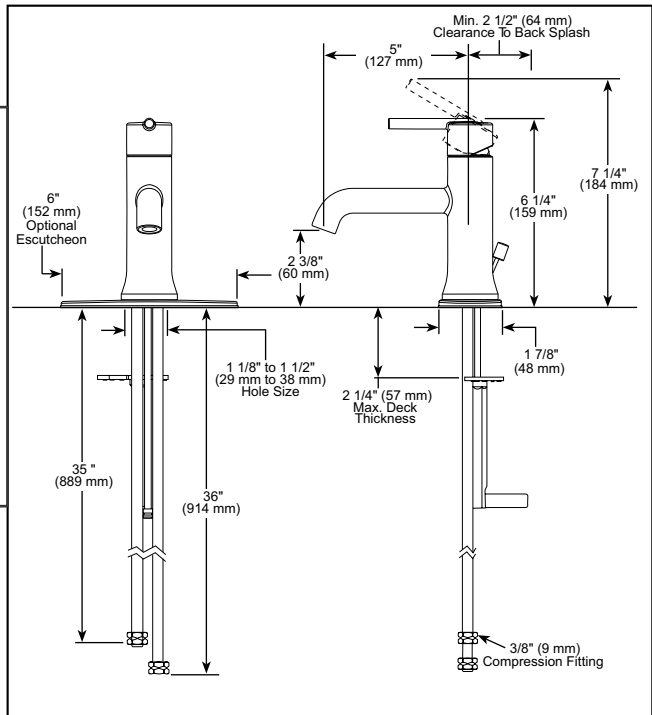
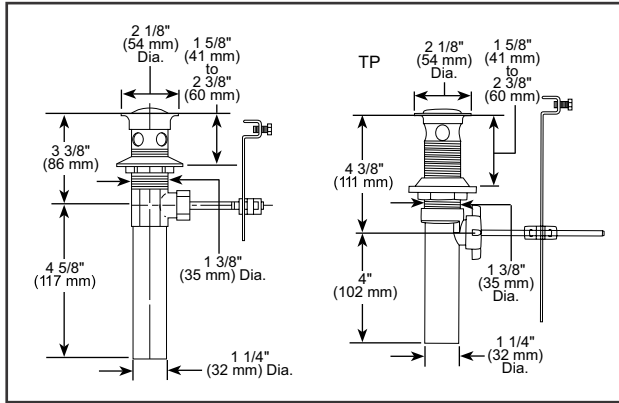
Technical Specification Sheet

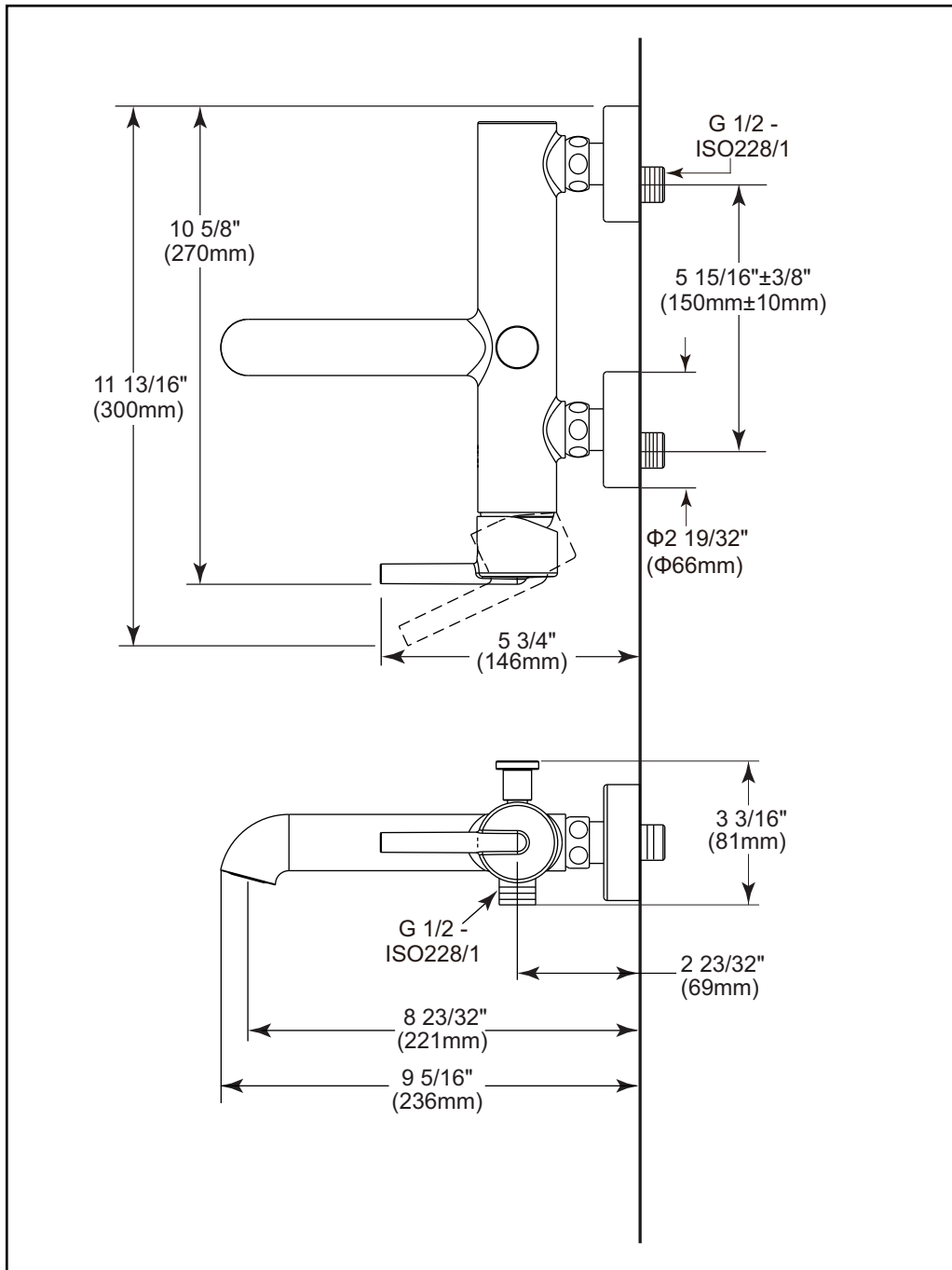


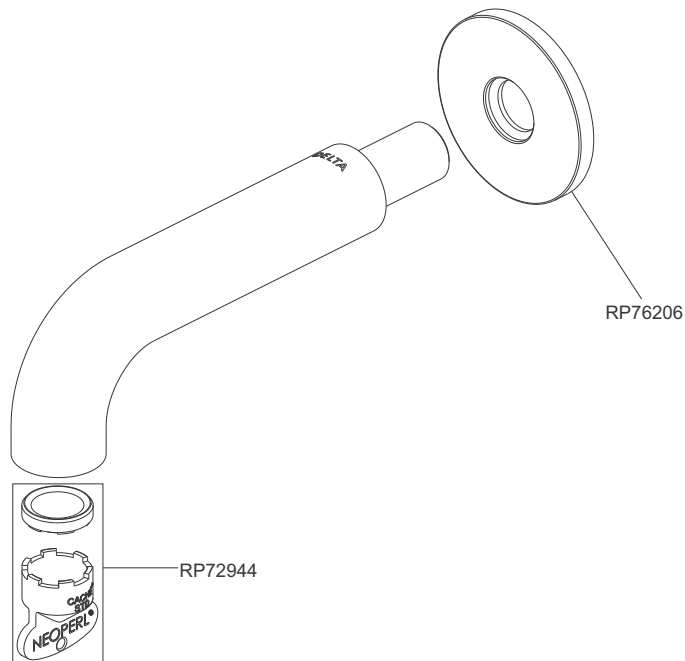
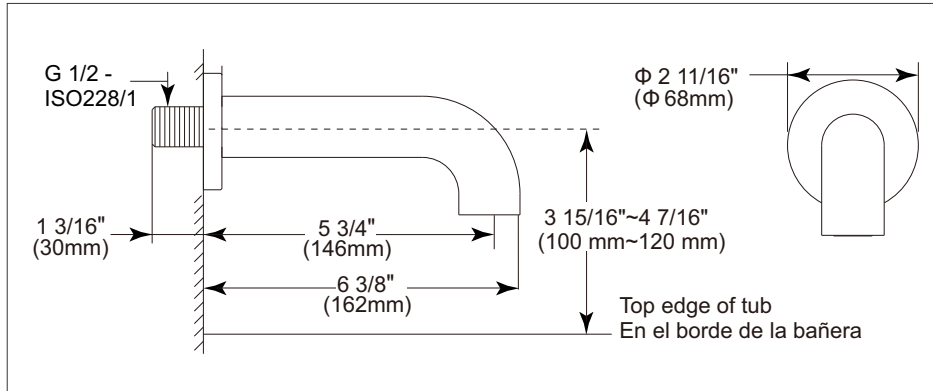
Trinsic Single Handle Lav Faucet less Pop Up

559LF-LPU

Technical Specification Sheet



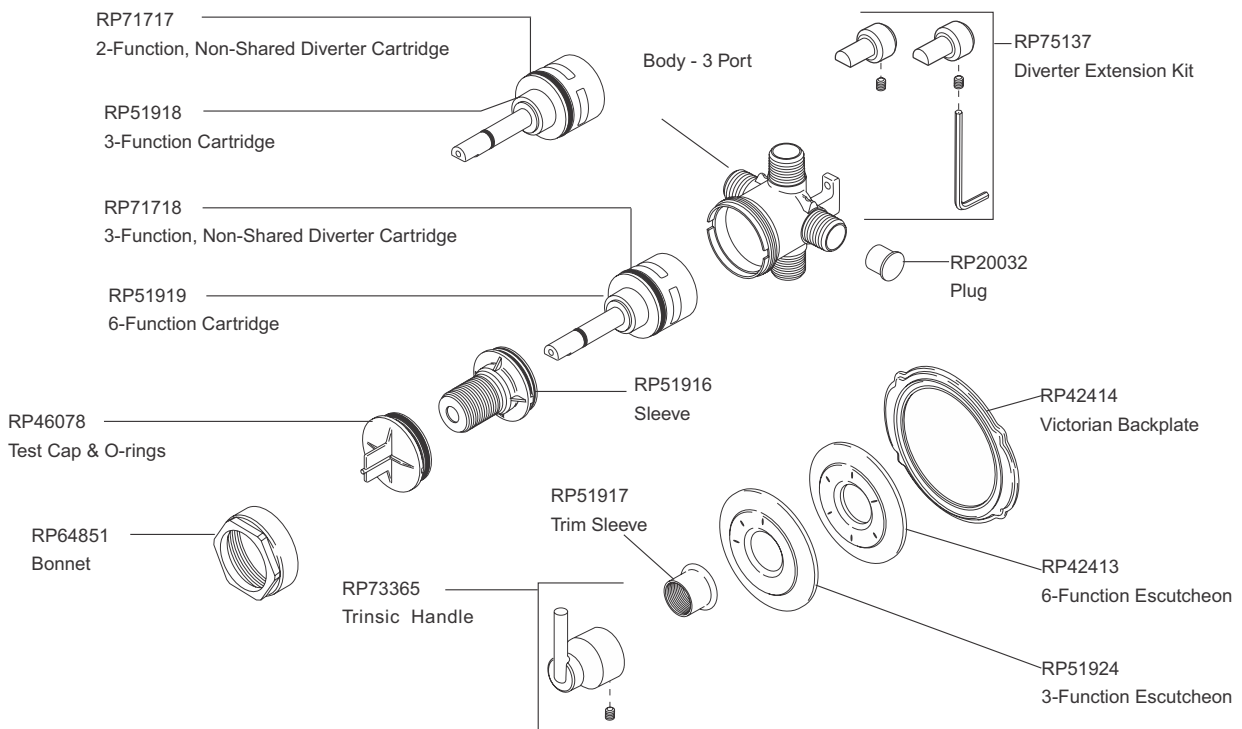
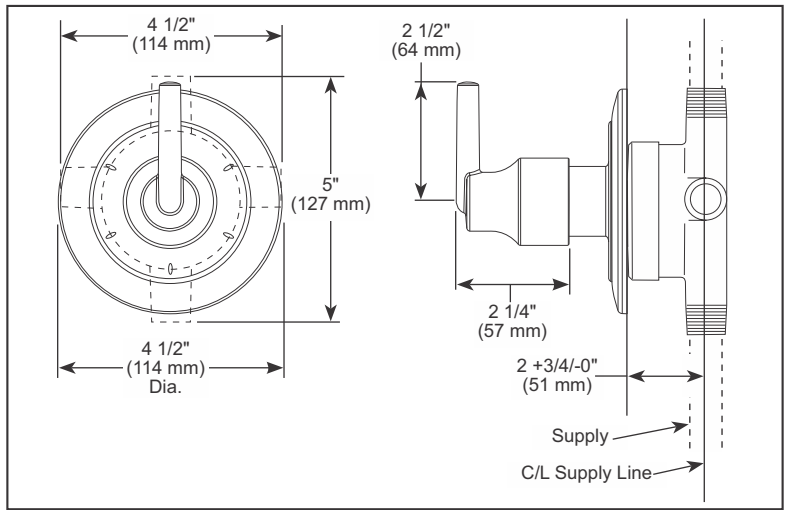
**Technical Specification Sheet**


**Technical Specification Sheet**


Trinsic 6-Setting Diverter Trim

T11959

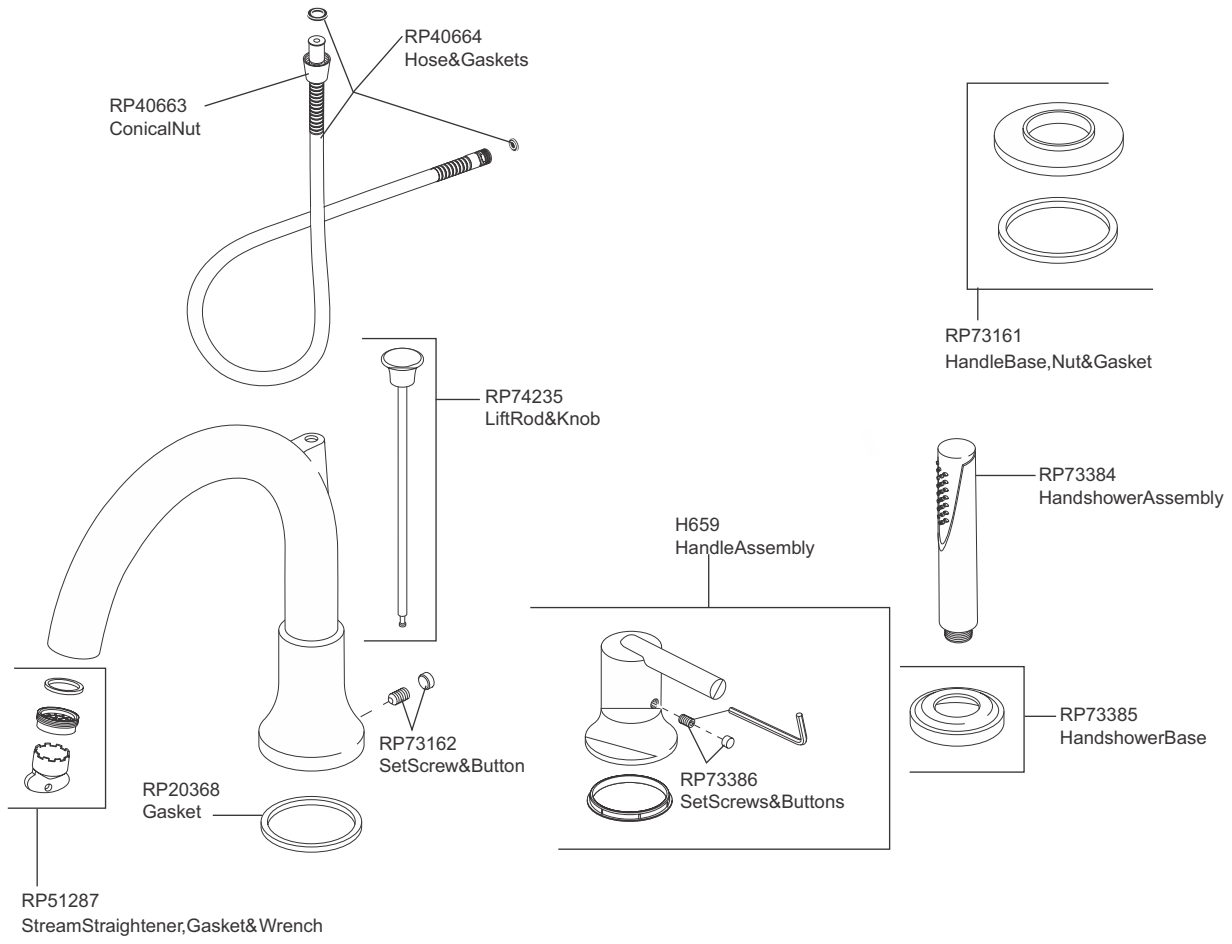
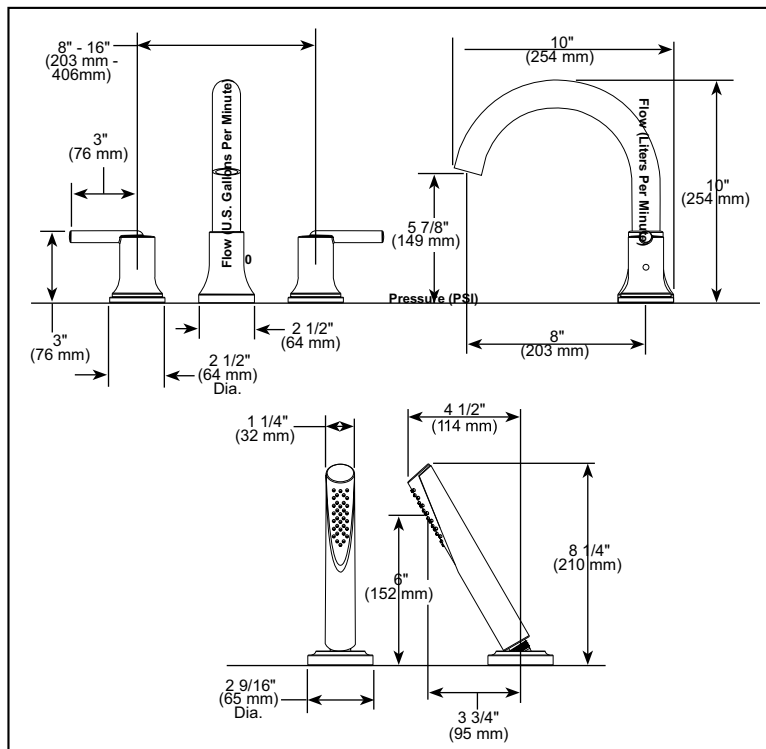
Technical Specification Sheet



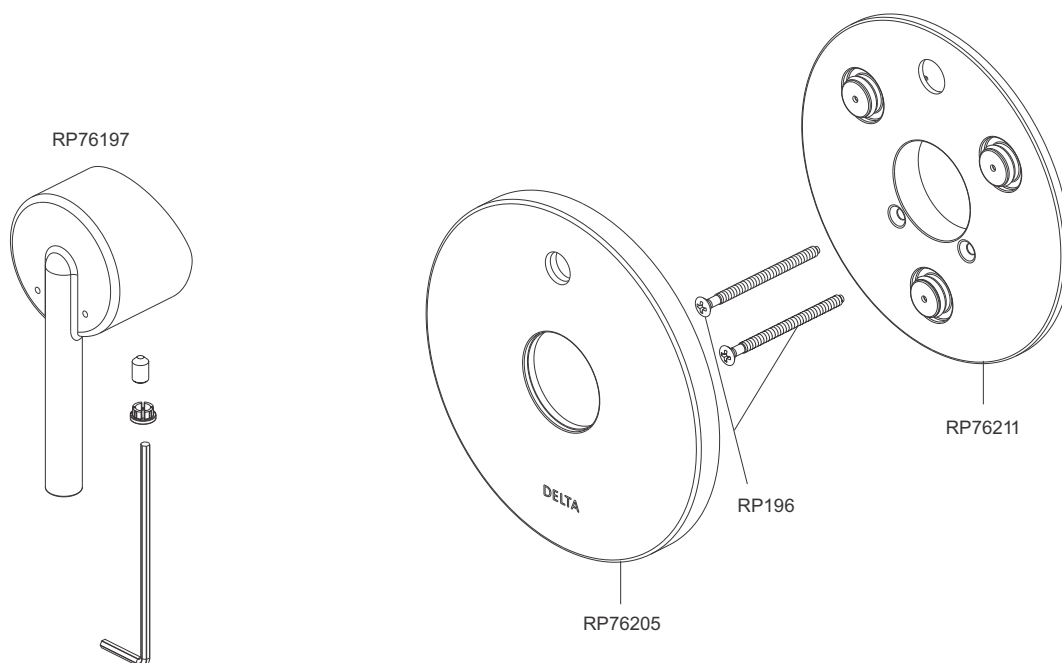
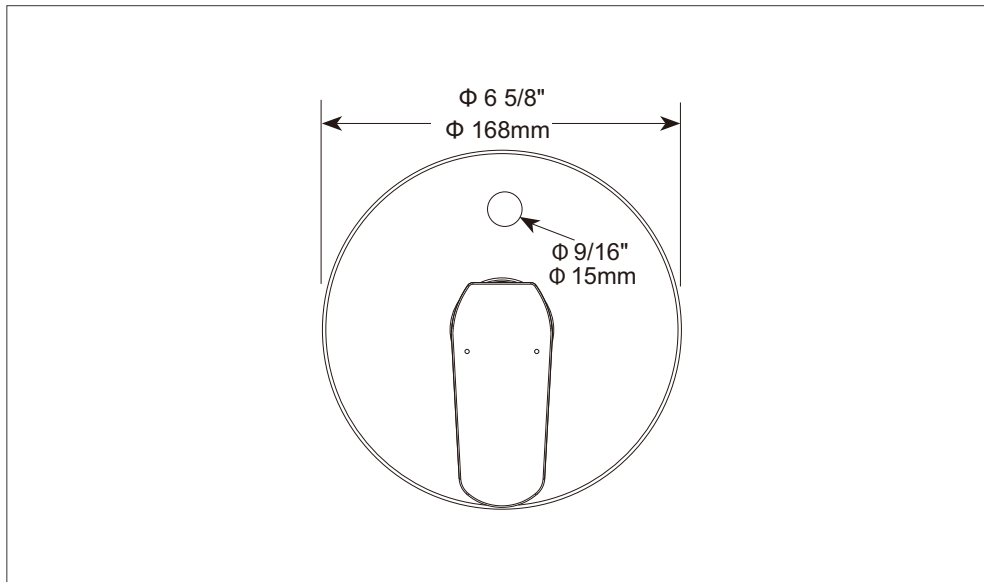
Trinsic 4-Hole Tub Filler Trim only

T4759

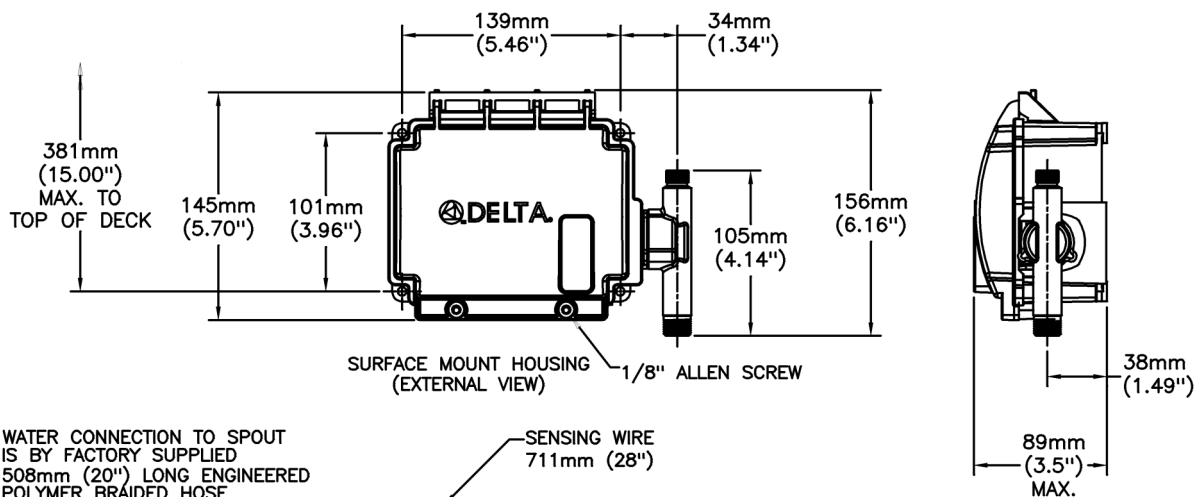
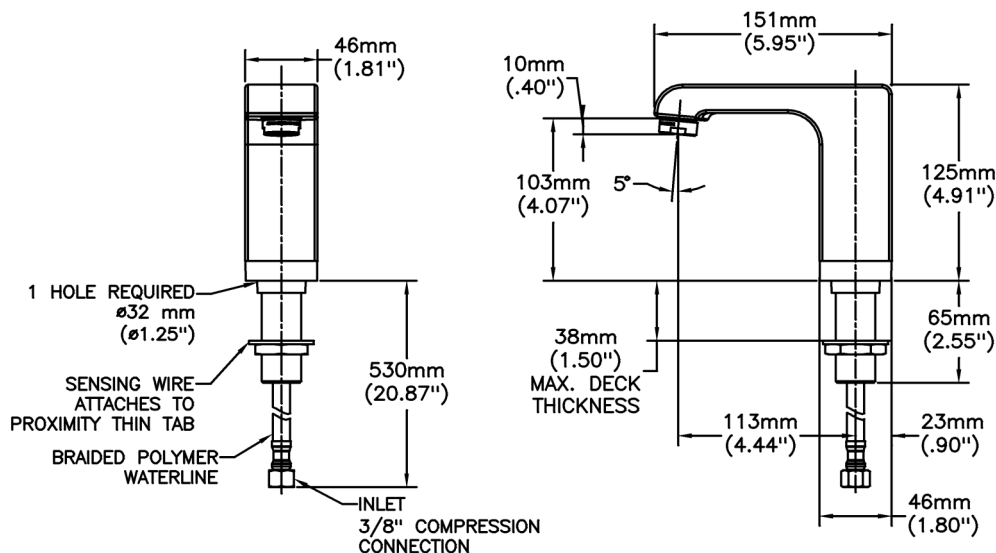
Technical Specification Sheet



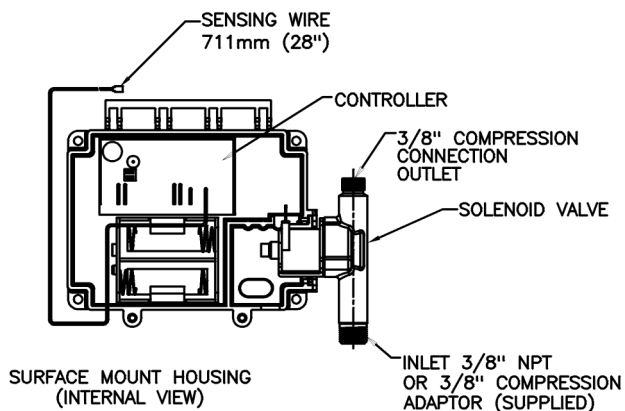


**Trinsic In-Wall Tub & Shower Trim with  
Push-Button Diverter****T85359****Technical Specification Sheet**

Technical Specification Sheet

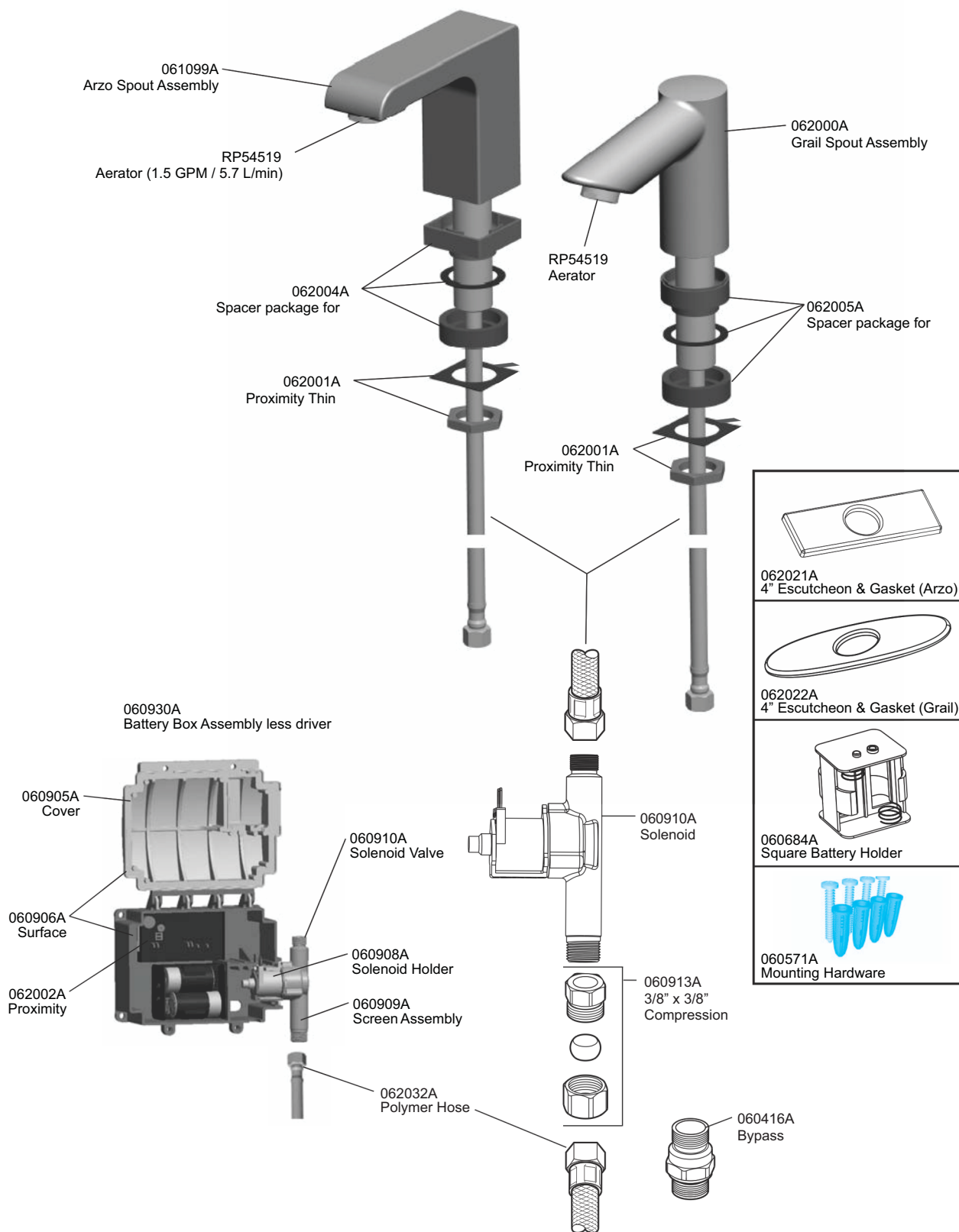


WATER CONNECTION TO SPOUT IS BY FACTORY SUPPLIED 508mm (20") LONG ENGINEERED POLYMER BRAIDED HOSE



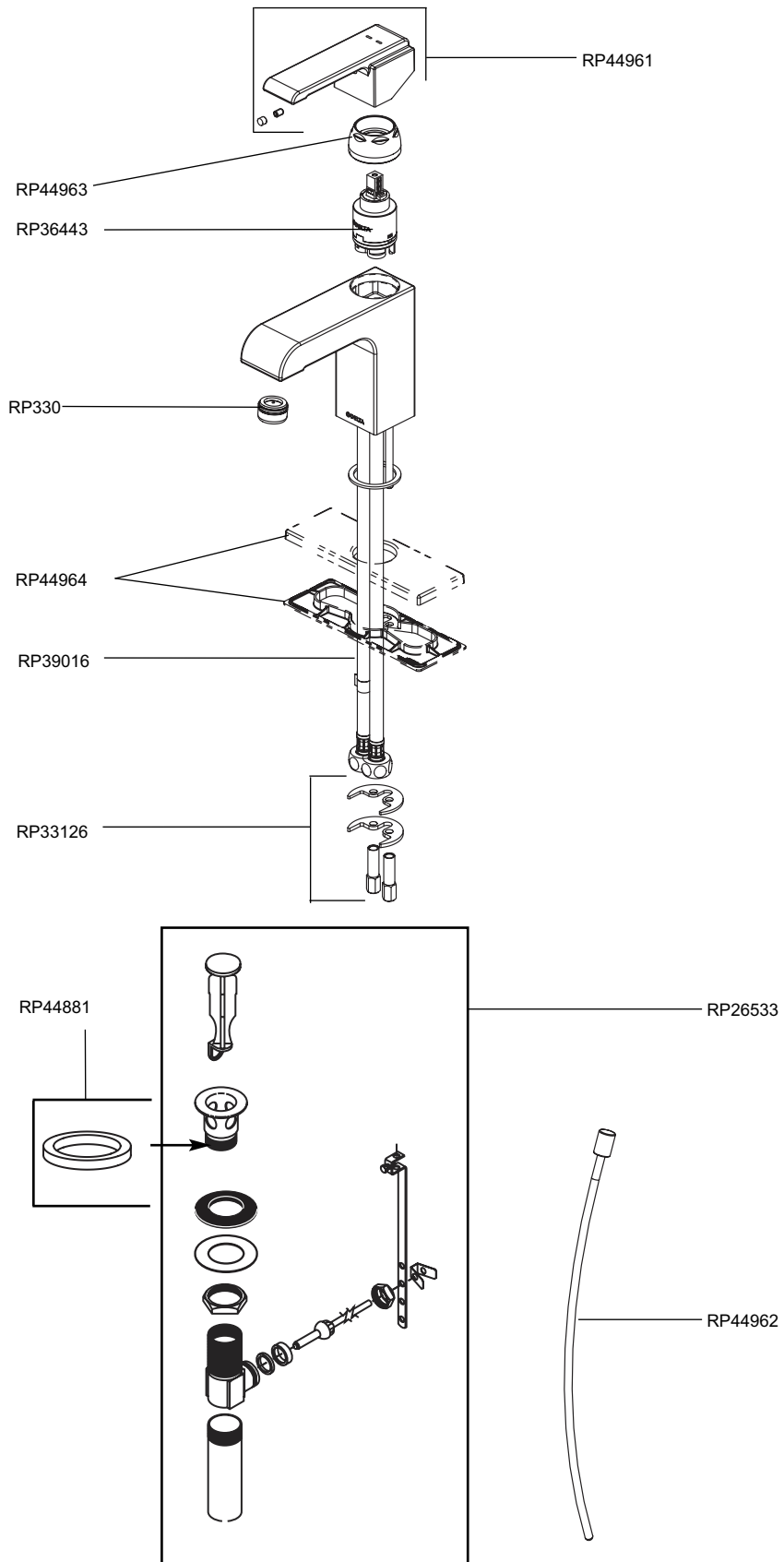
Arzo Commercial Lav Faucet with Proximity

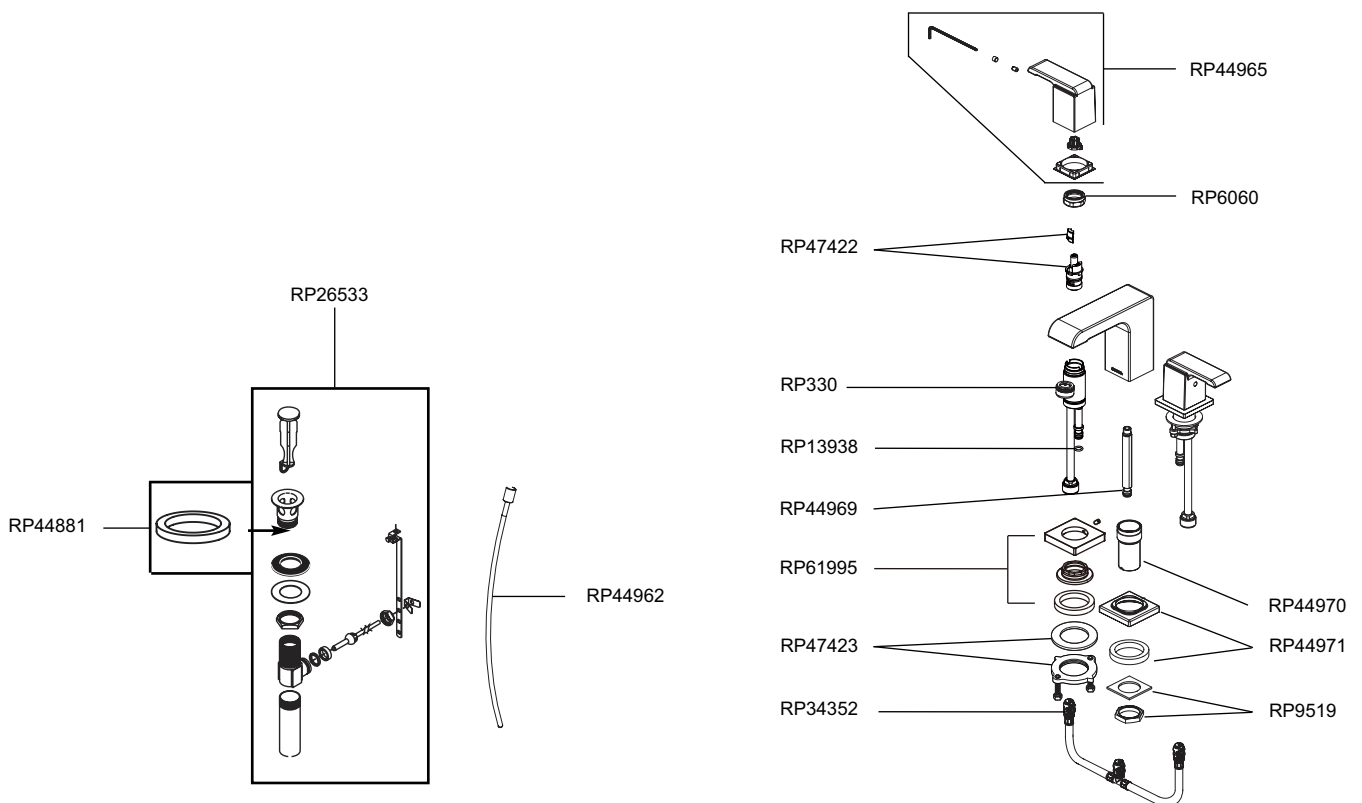
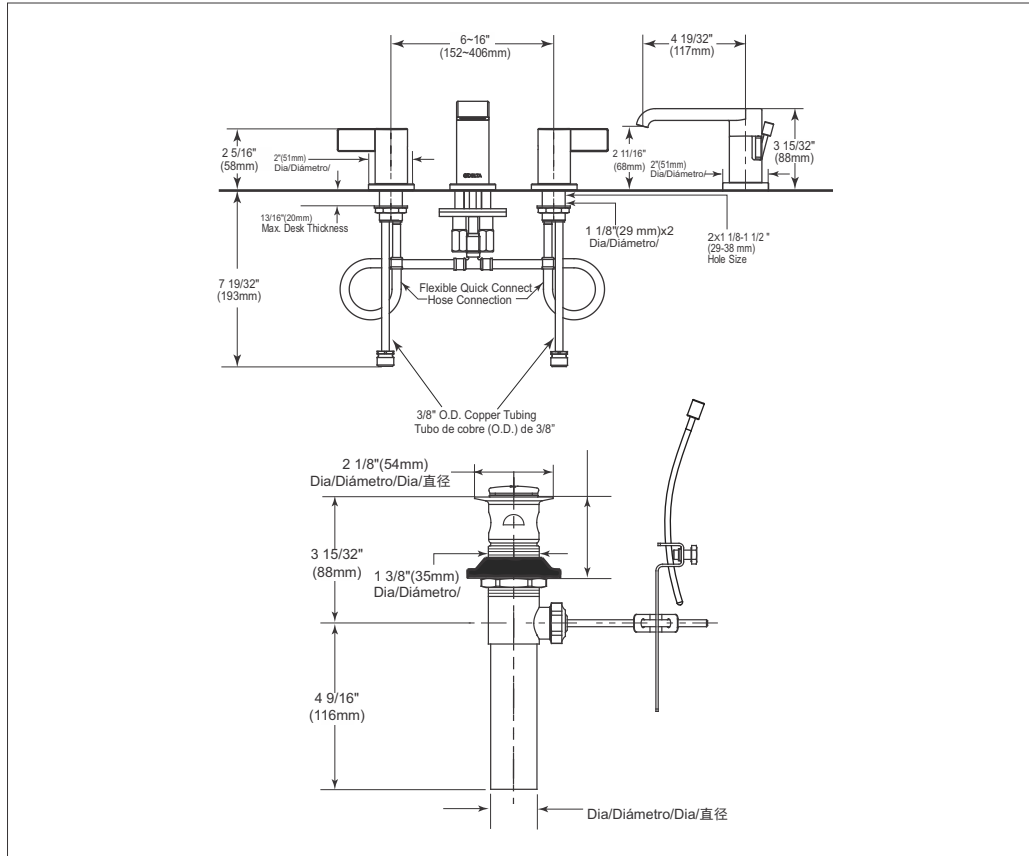
601T040



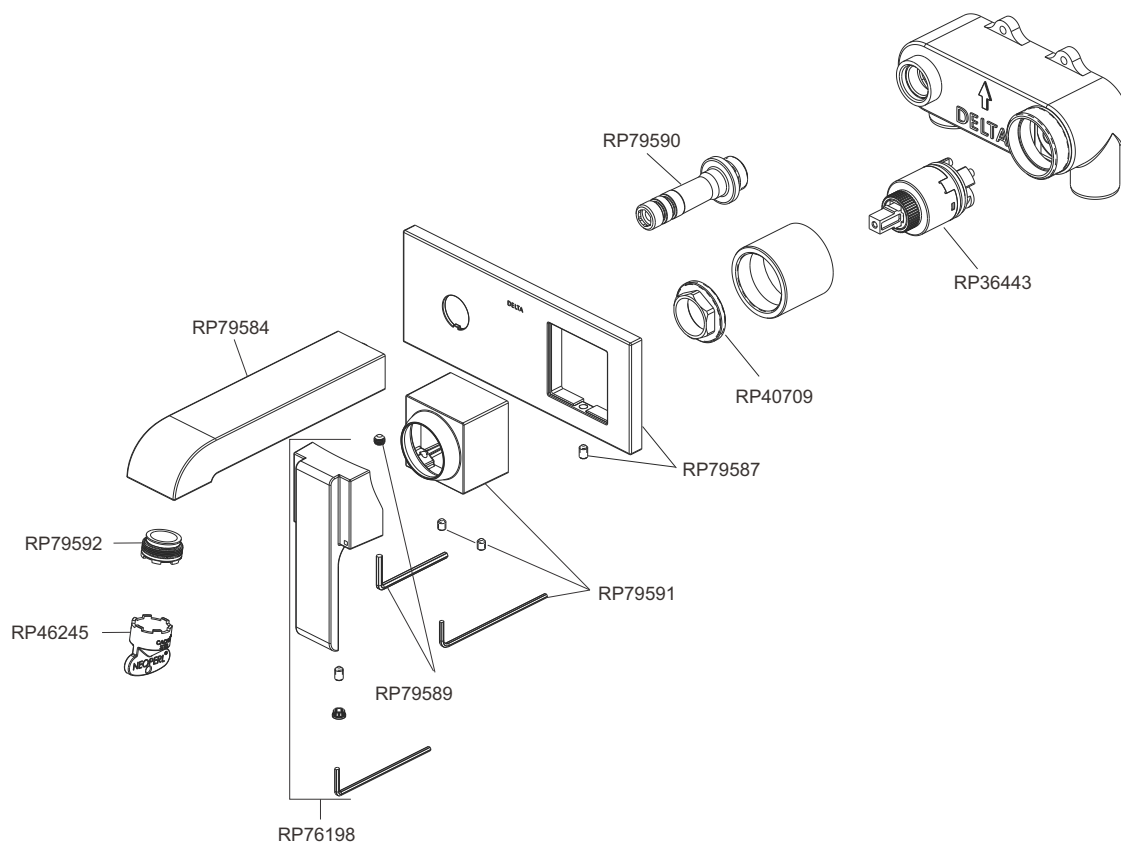
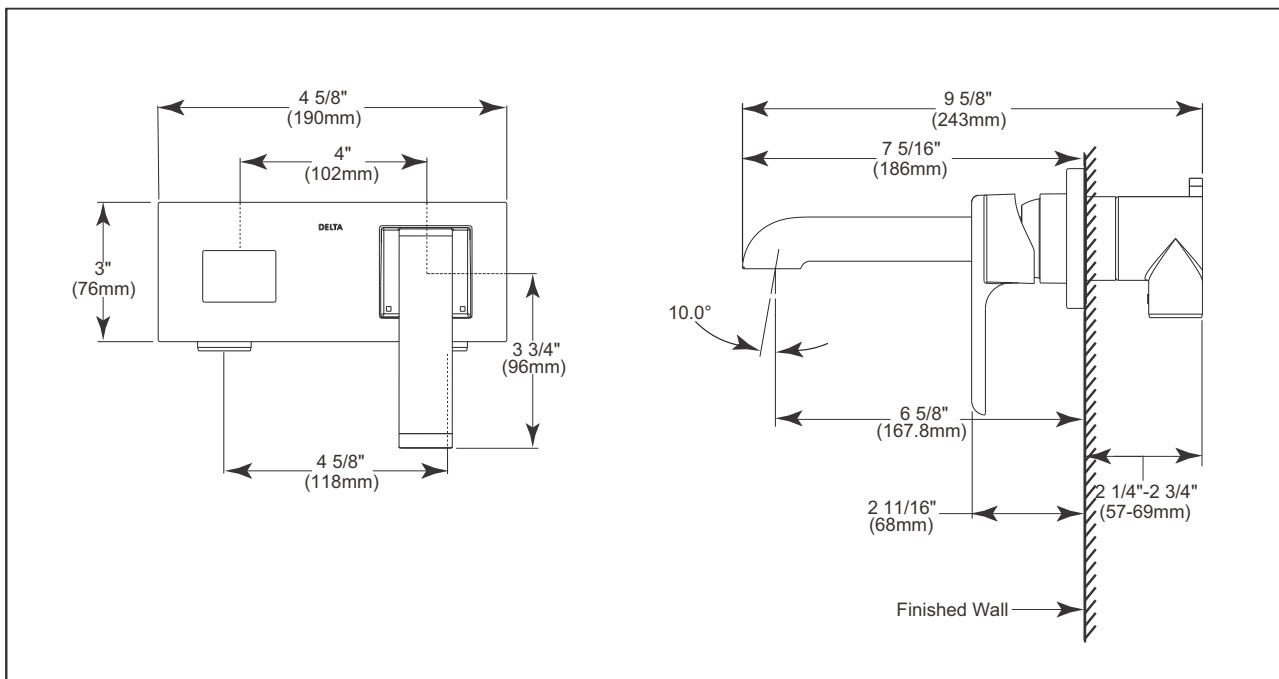
Arzo Single Handle Lav Faucet with Pop Up

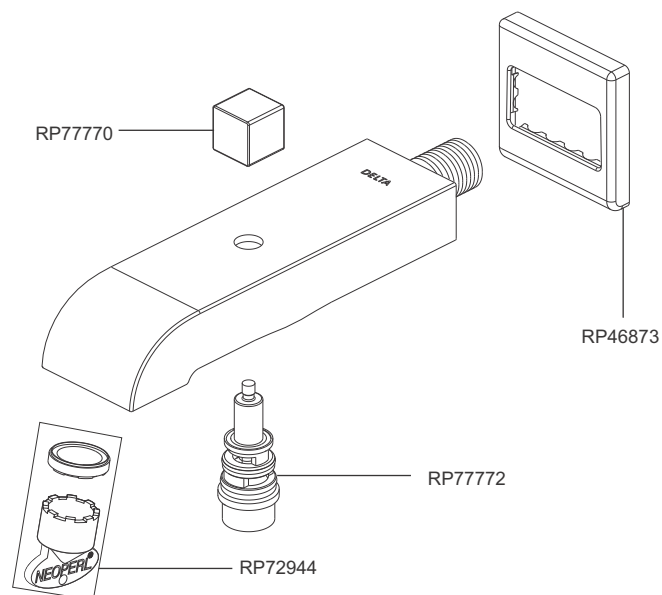
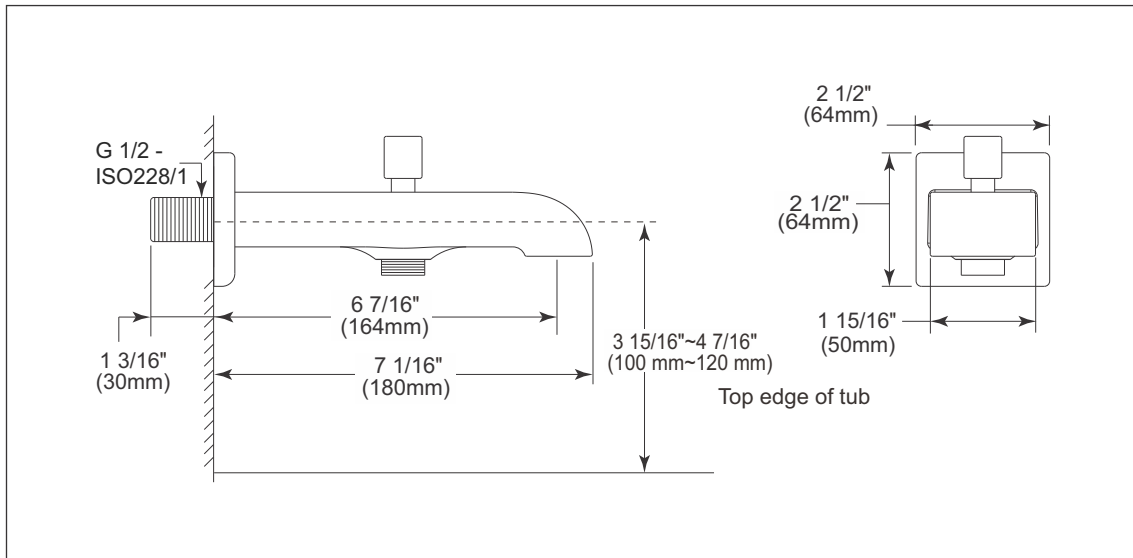
26025

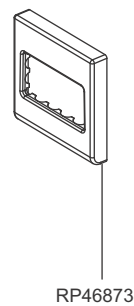
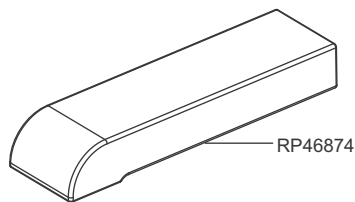
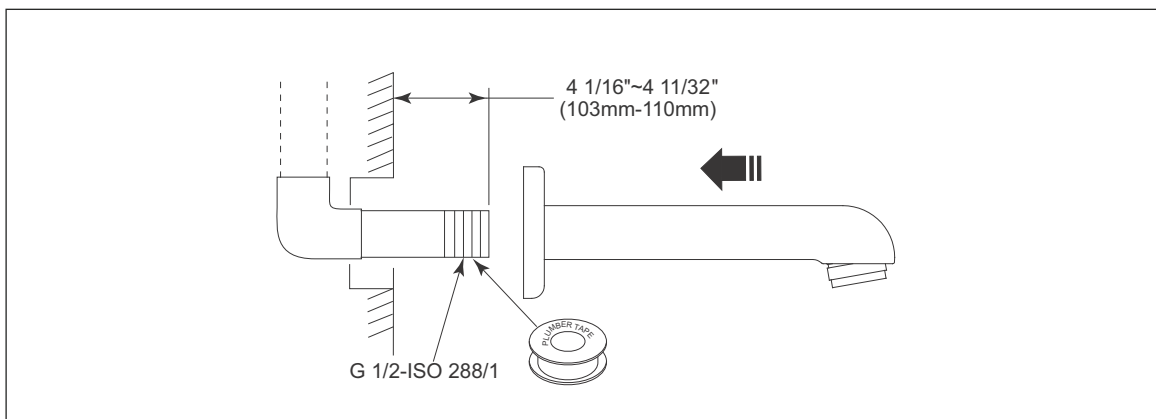
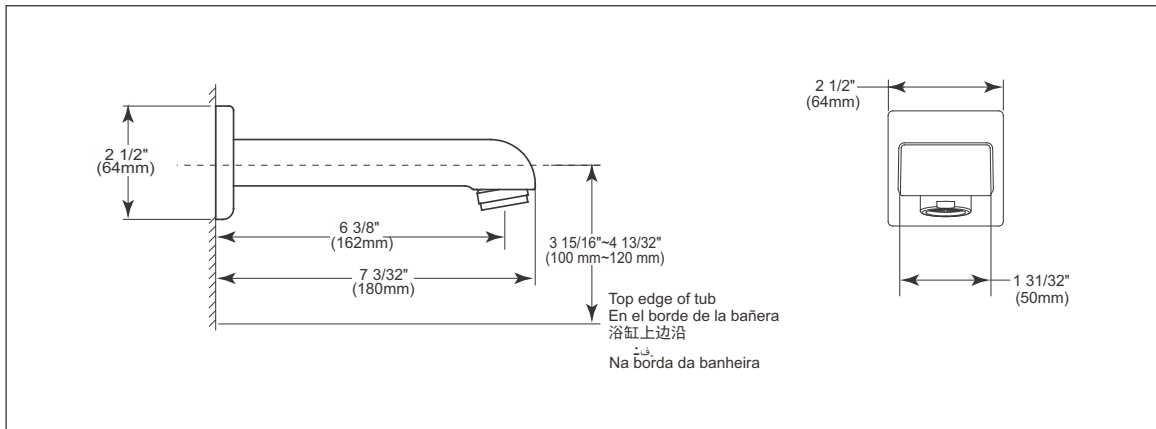


**Technical Specification Sheet**


Technical Specification Sheet



**Arzo Tub Spout with Diverter to Handshower with Flange**
**ITS62260**
**Technical Specification Sheet**


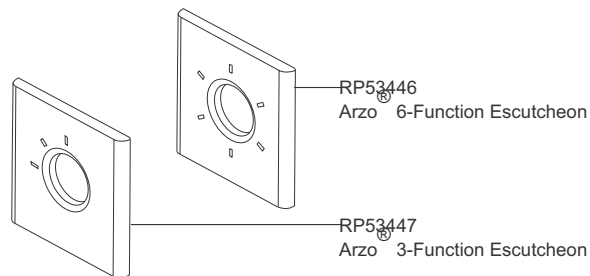
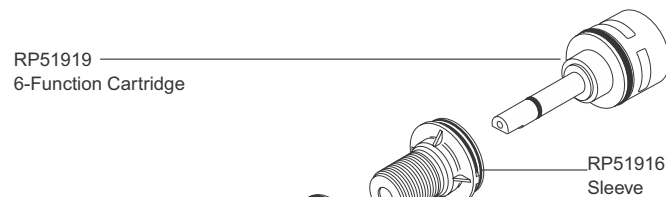
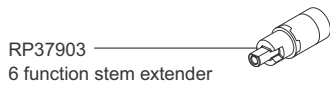
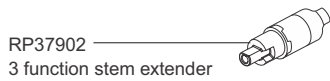
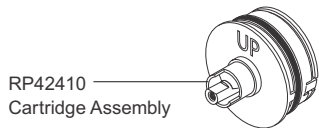
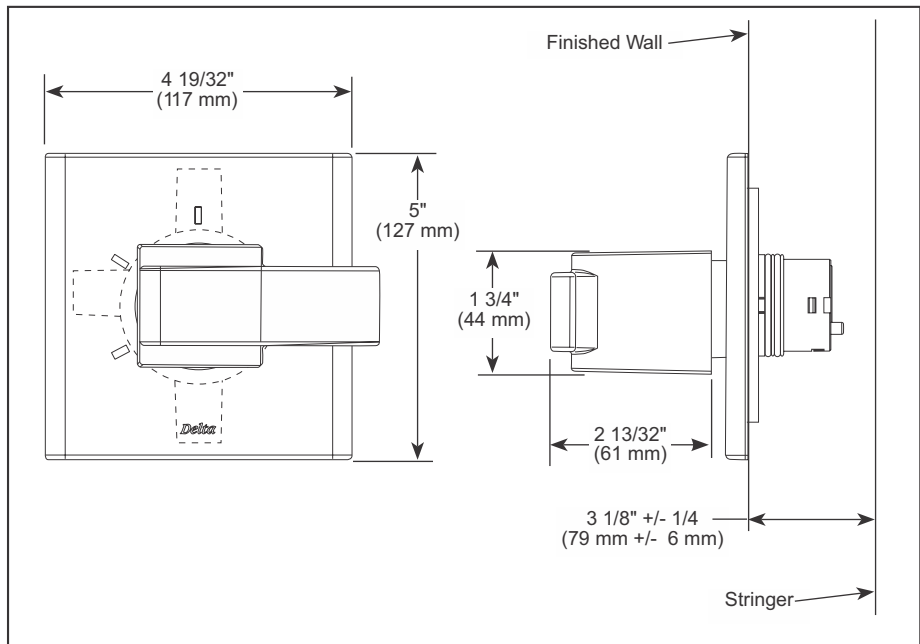
**Technical Specification Sheet**




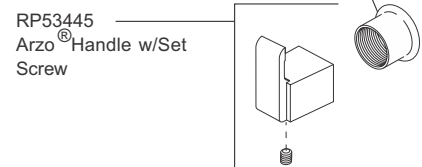
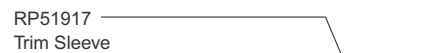
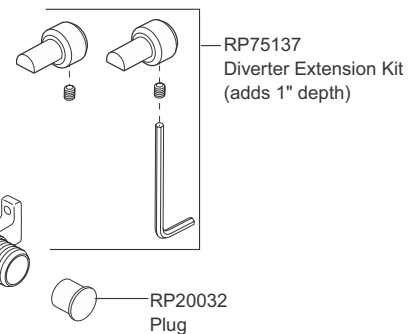
Arzo 3 Setting Diverter Trim

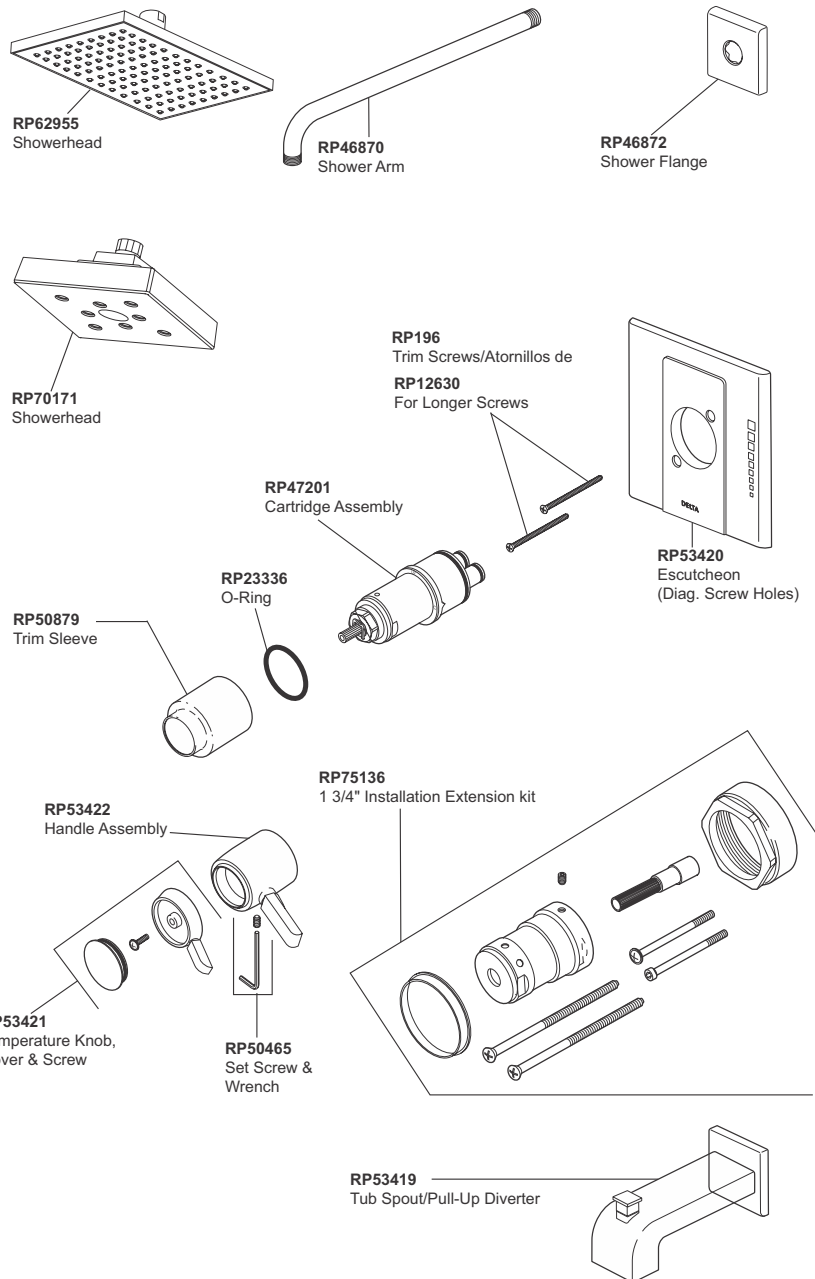
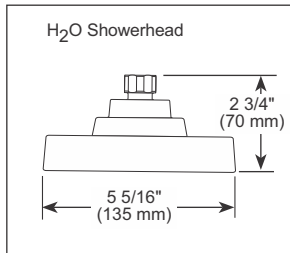
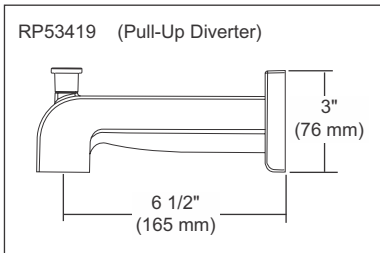
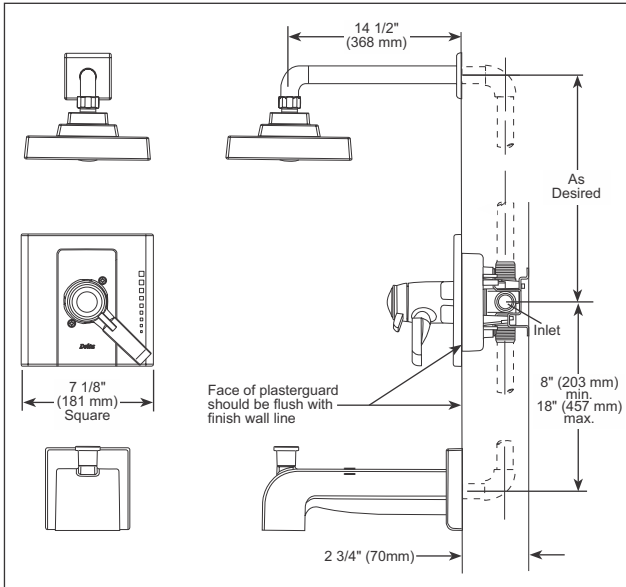
T11886, T11986

Technical Specification Sheet

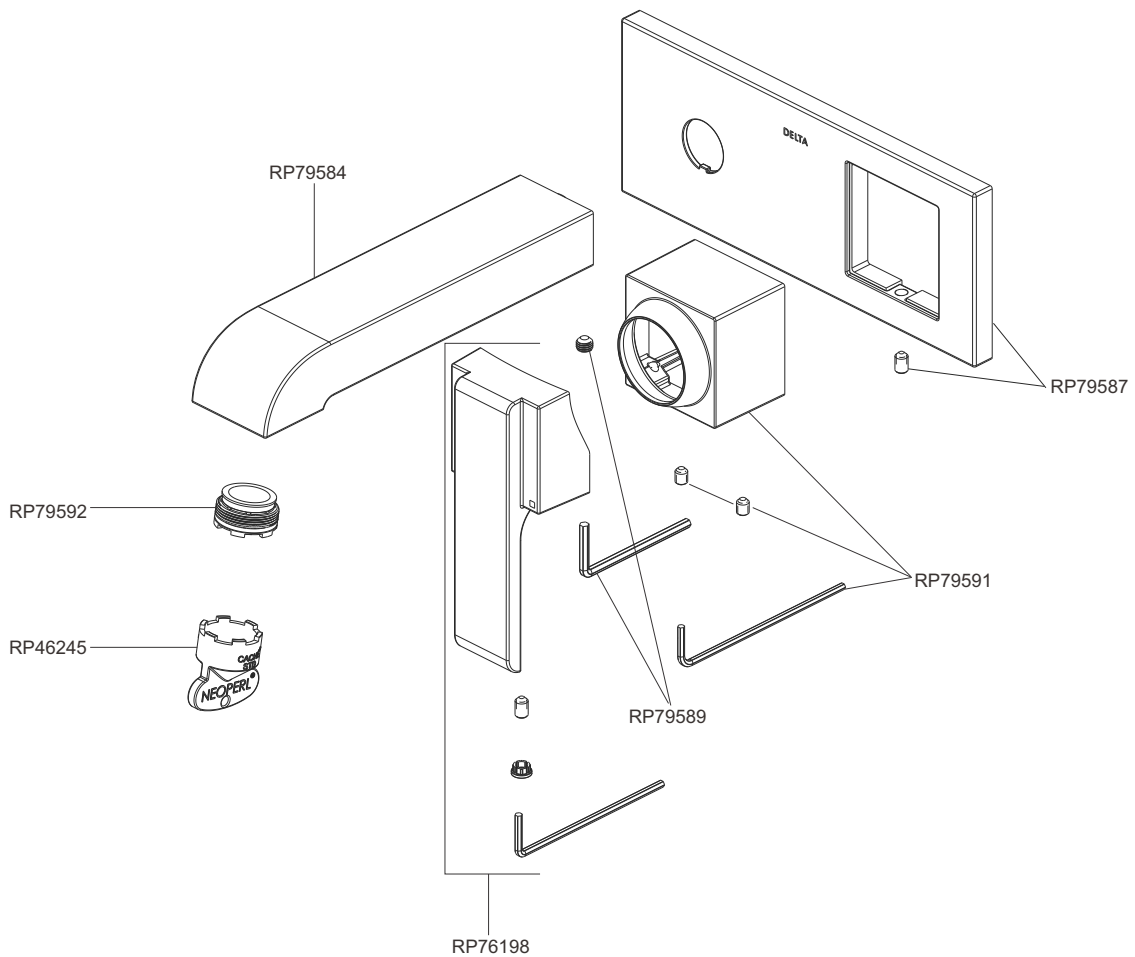
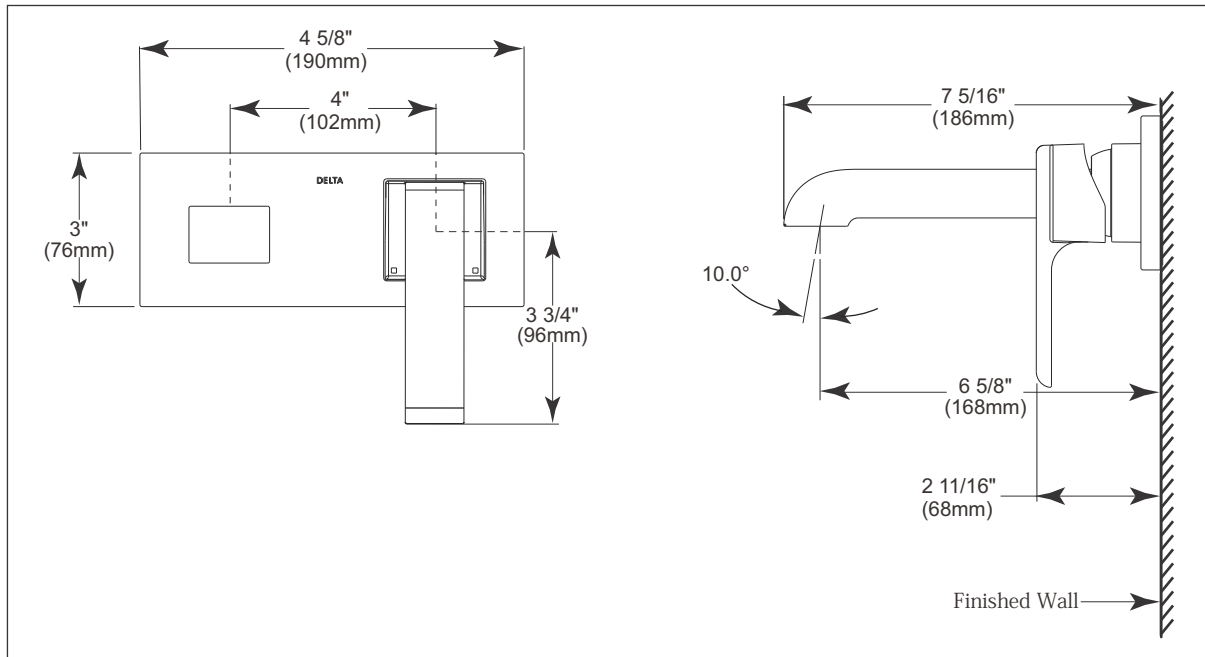


Body - 3 Port

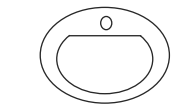
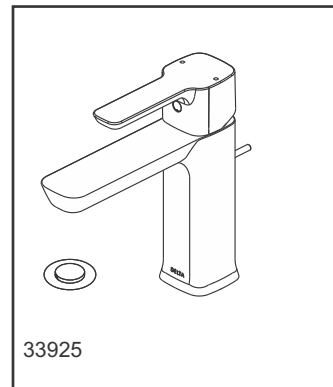
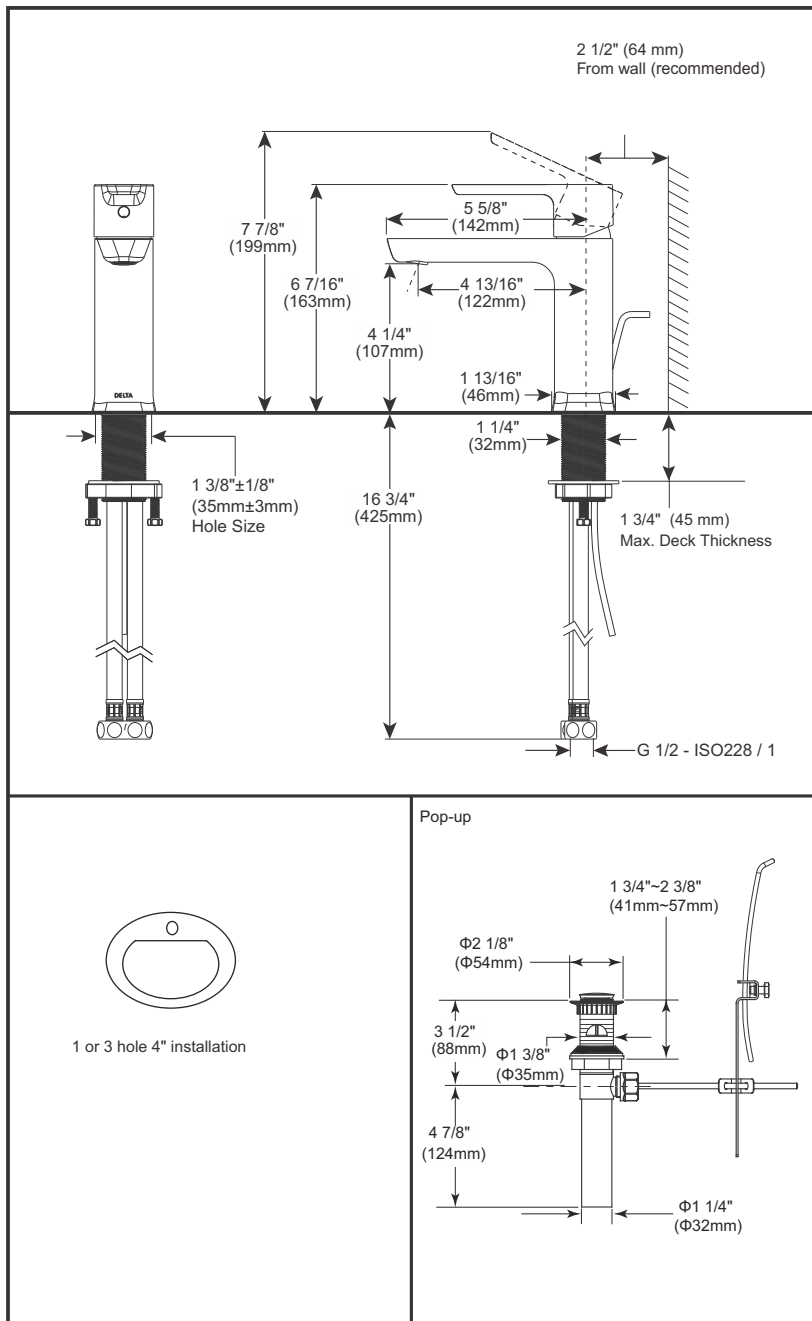


**Arzo TempAssure 17T Series MultiChoice  
Thermostatic Valve Trim**
**T17T086**
**Technical Specification Sheet**


Technical Specification Sheet

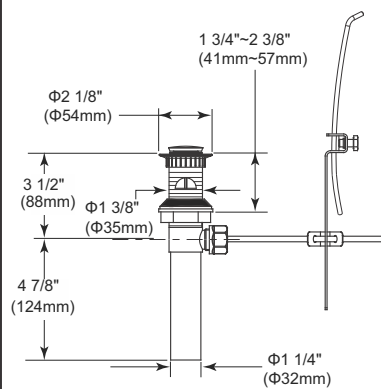


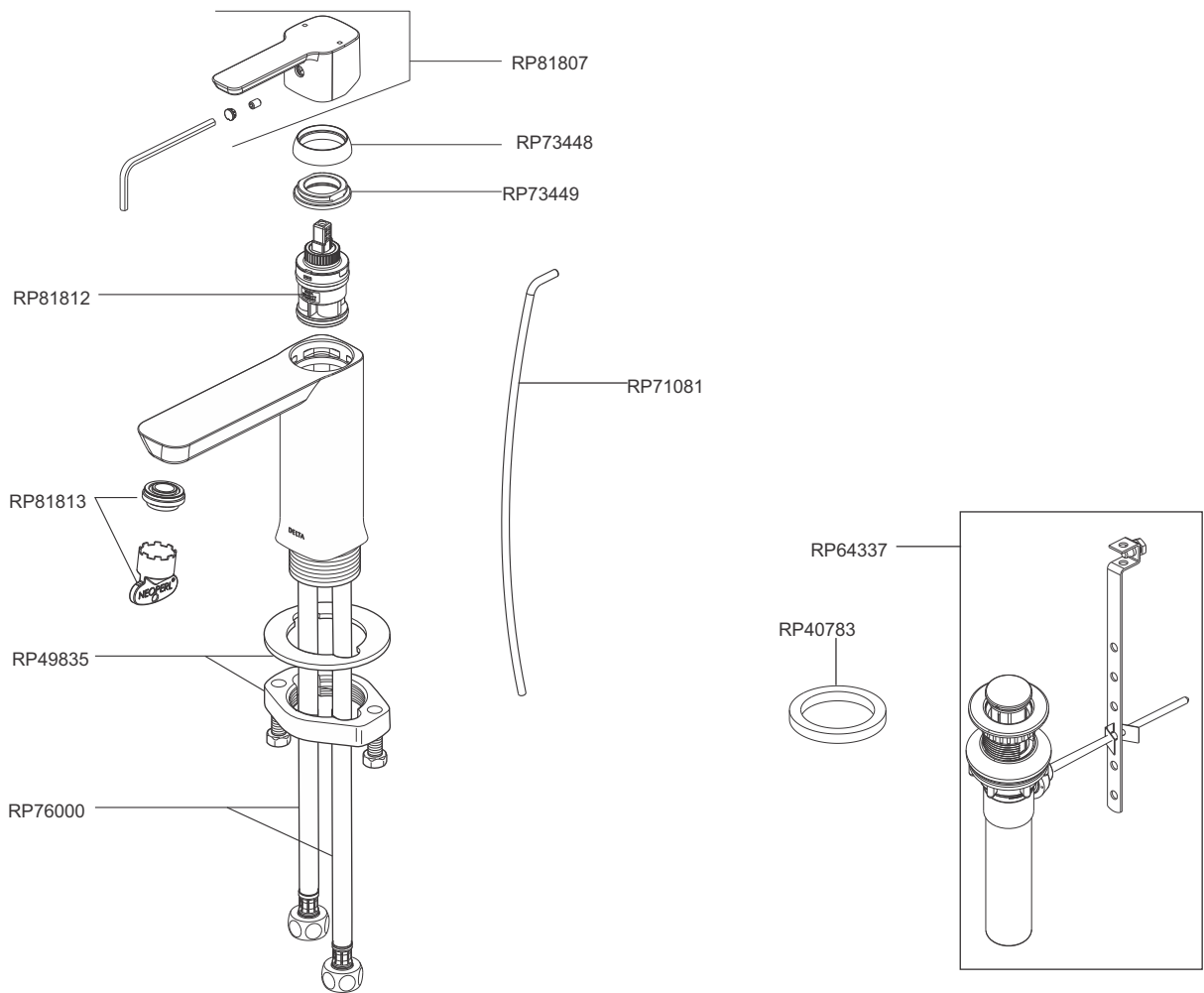
Technical Specification Sheet



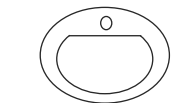
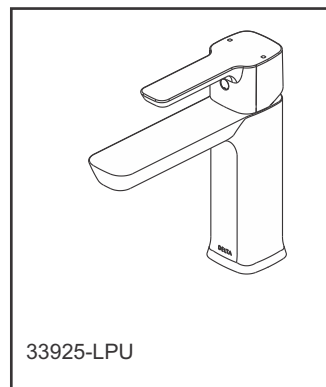
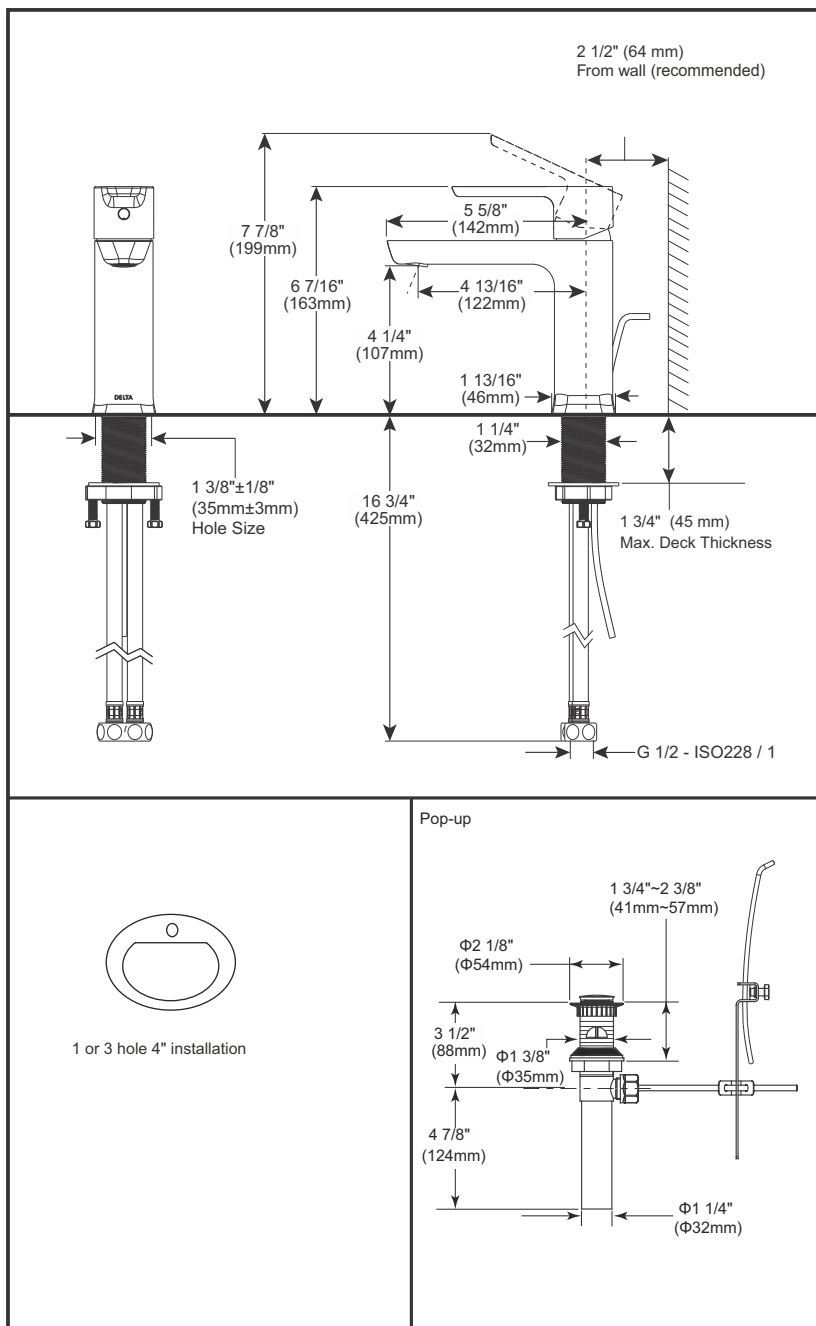
1 or 3 hole 4" installation

Pop-up



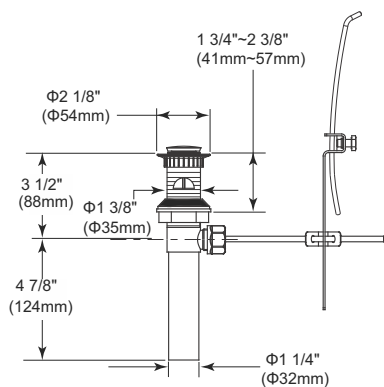


Technical Specification Sheet



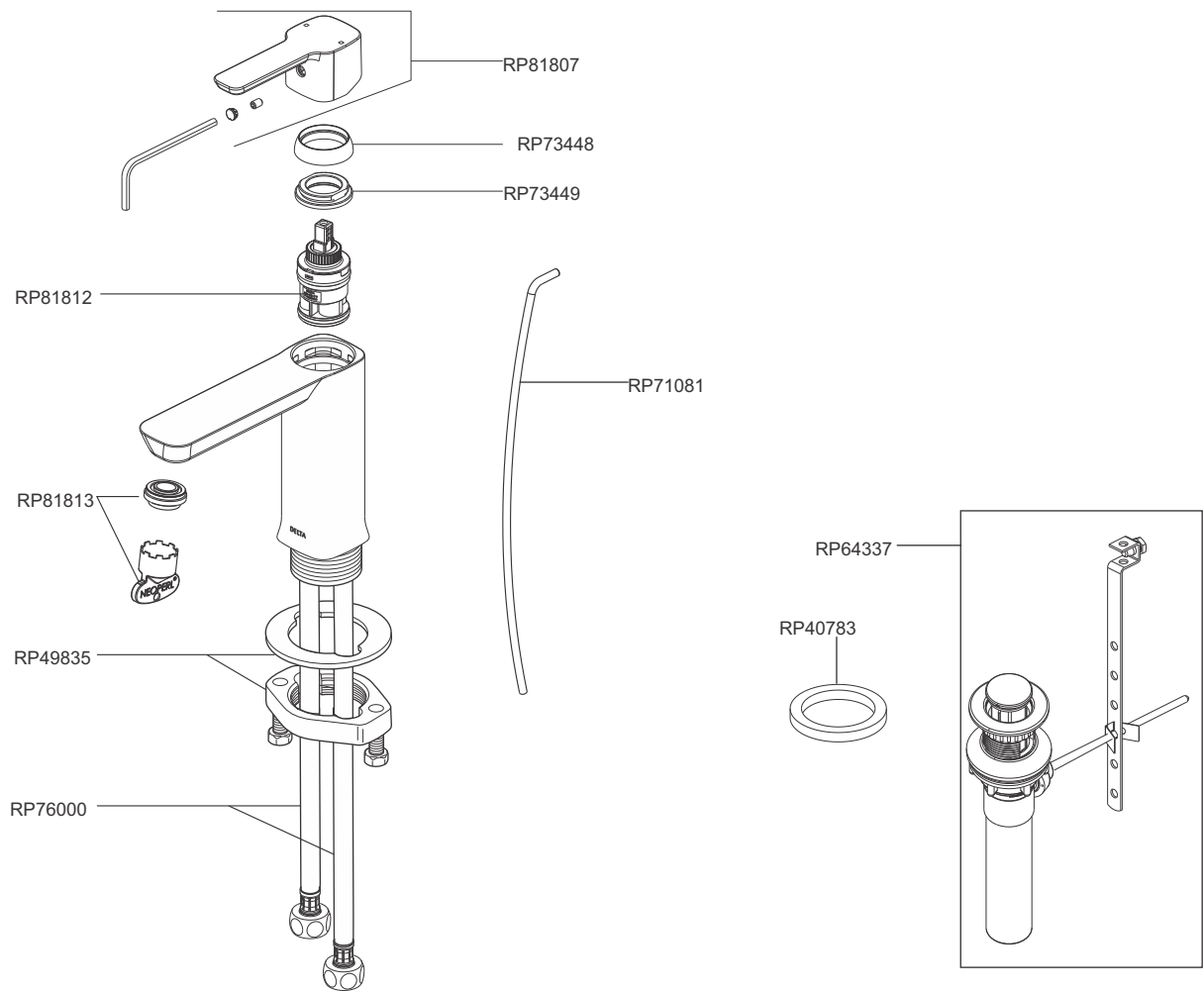
1 or 3 hole 4" installation

Pop-up

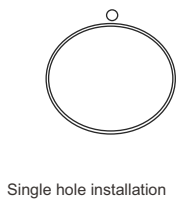
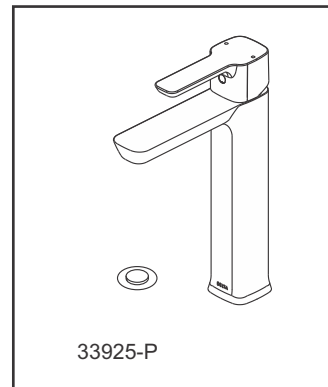
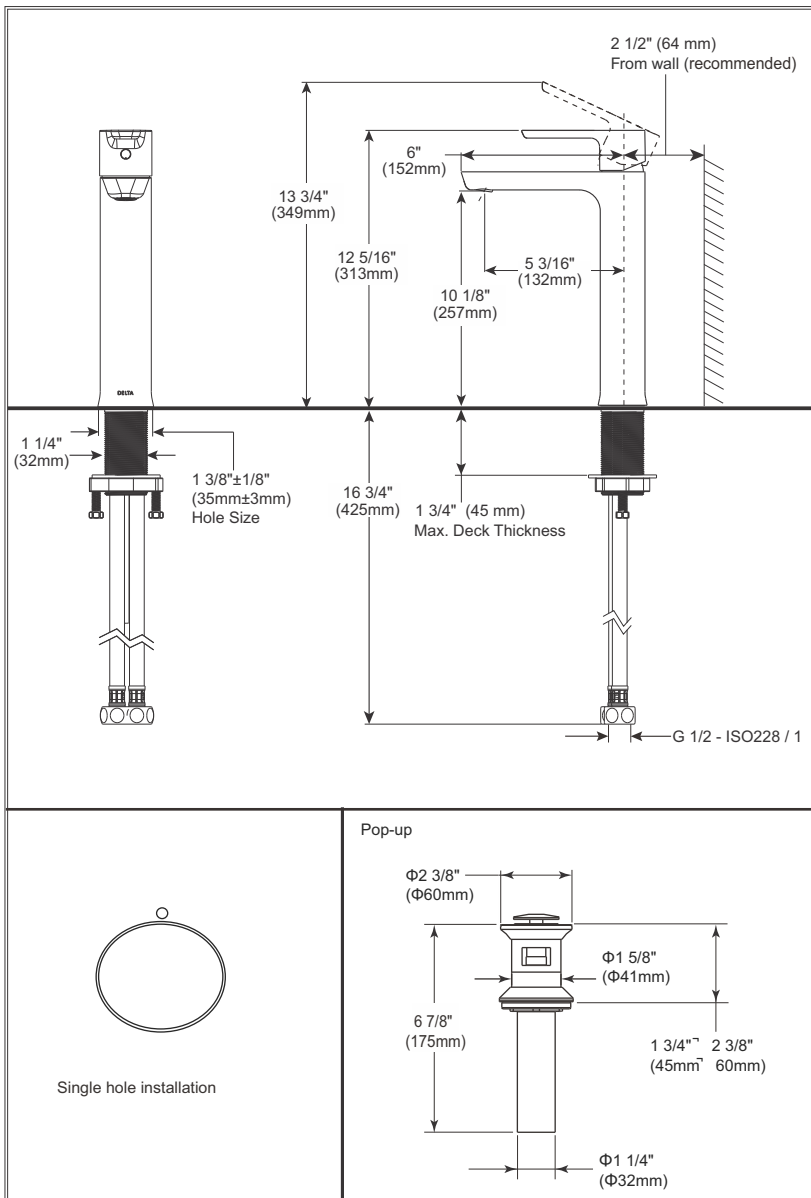


## Single Handle Lav Faucet - Less Pop Up

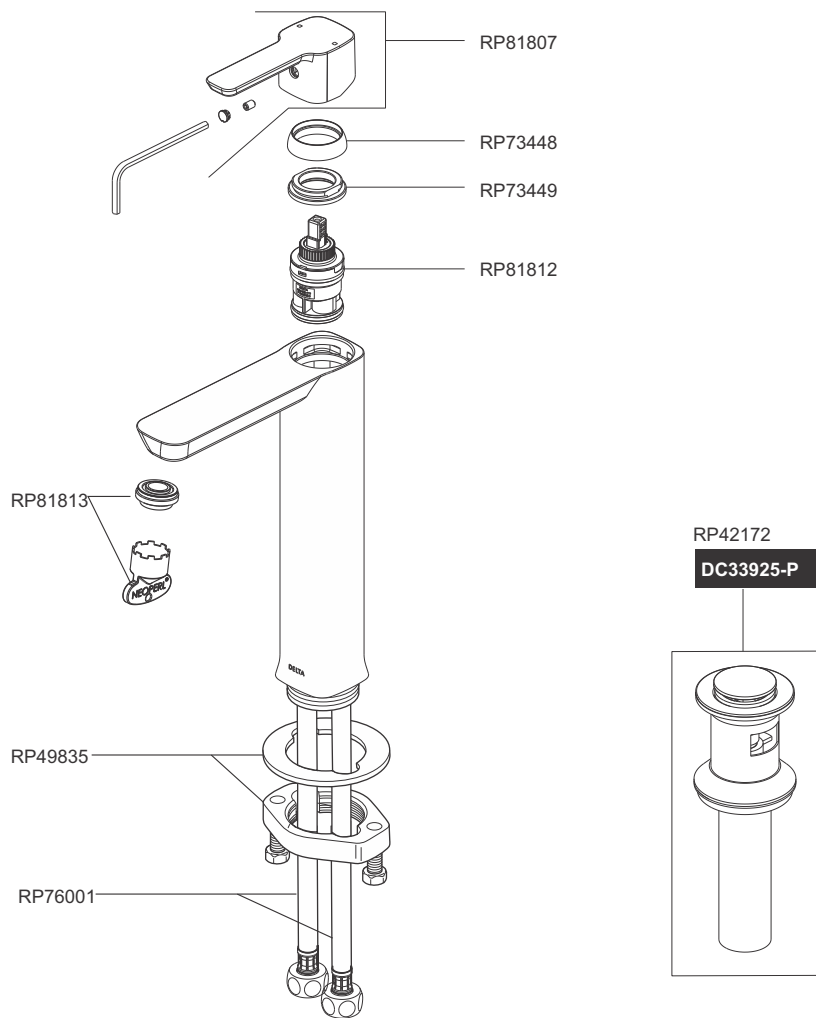
33925-LPU



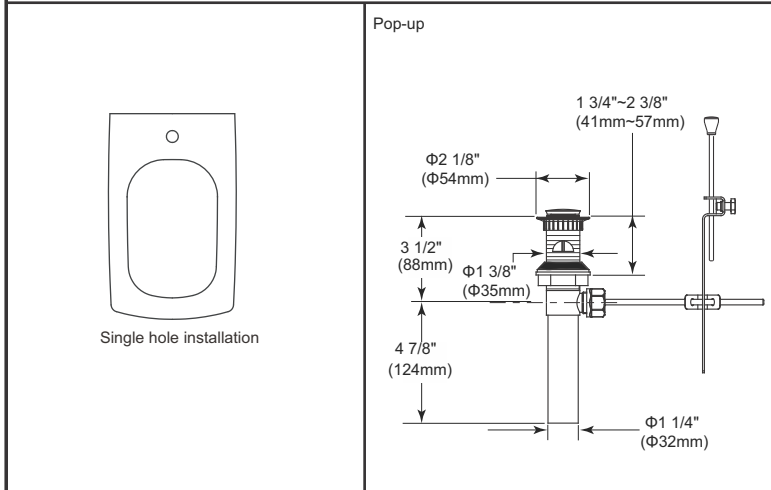
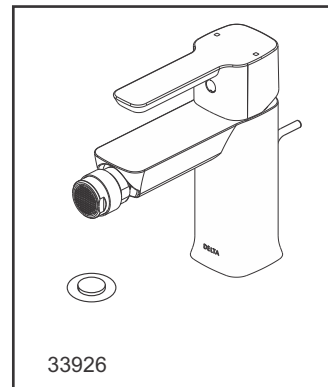
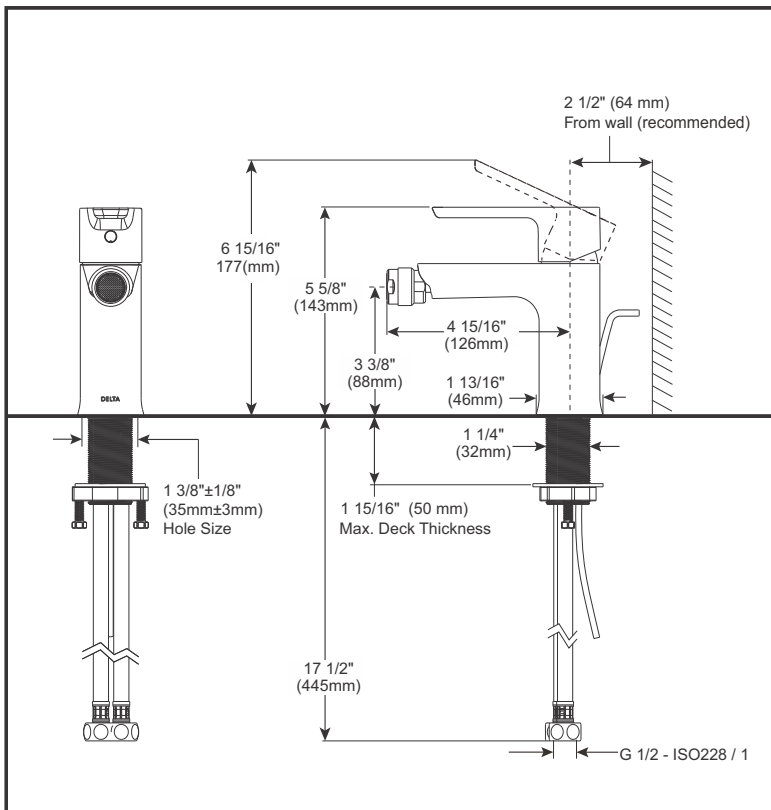
Technical Specification Sheet





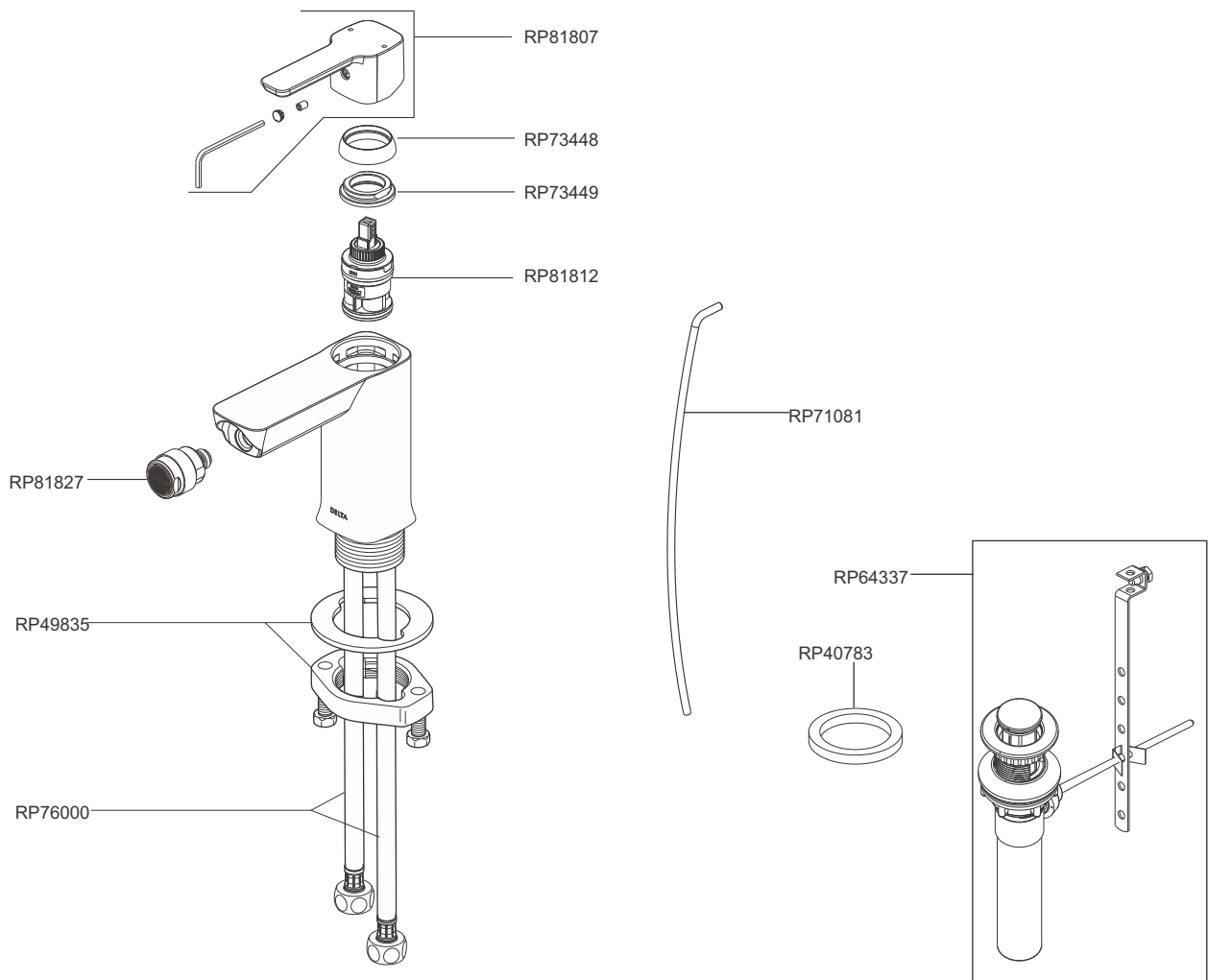


Technical Specification Sheet

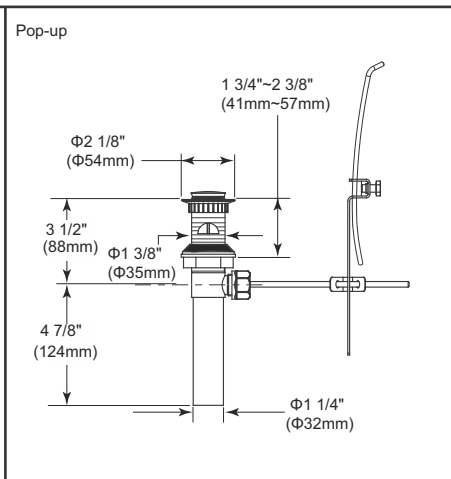
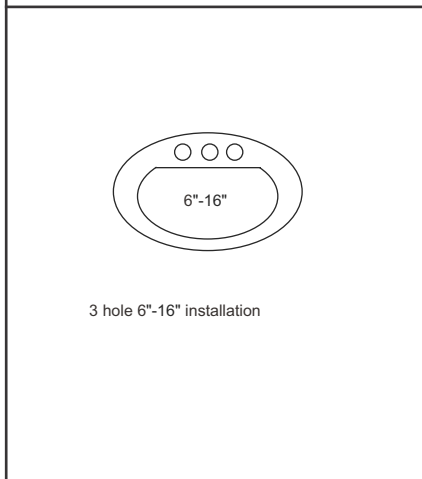
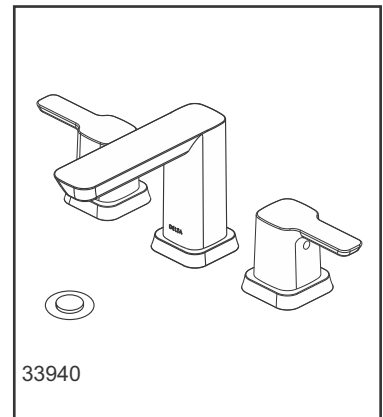
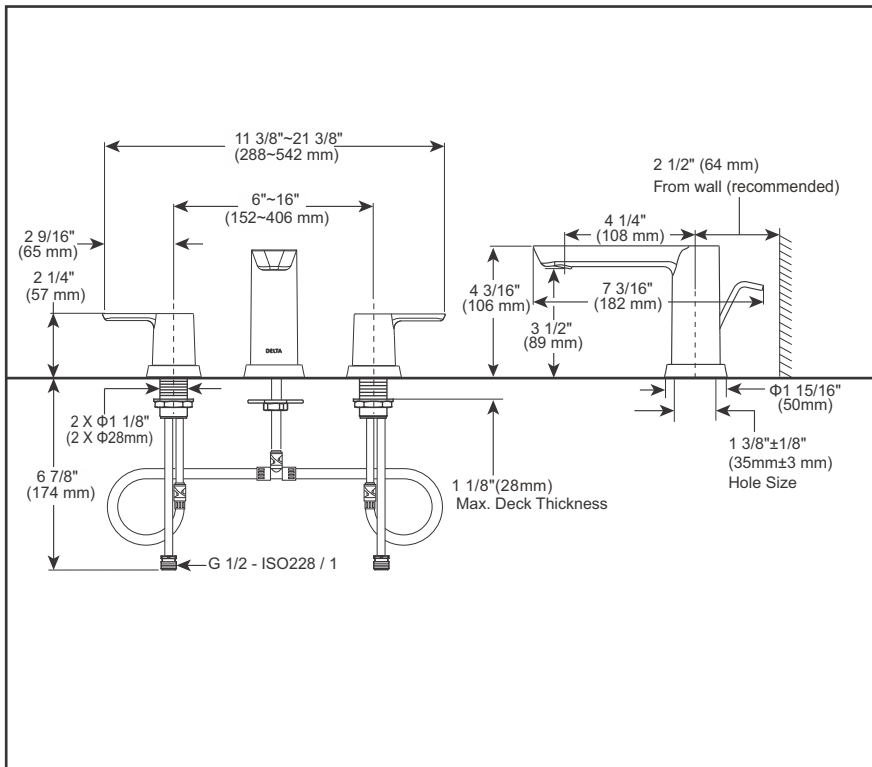


## Single hole bidet faucet

33926

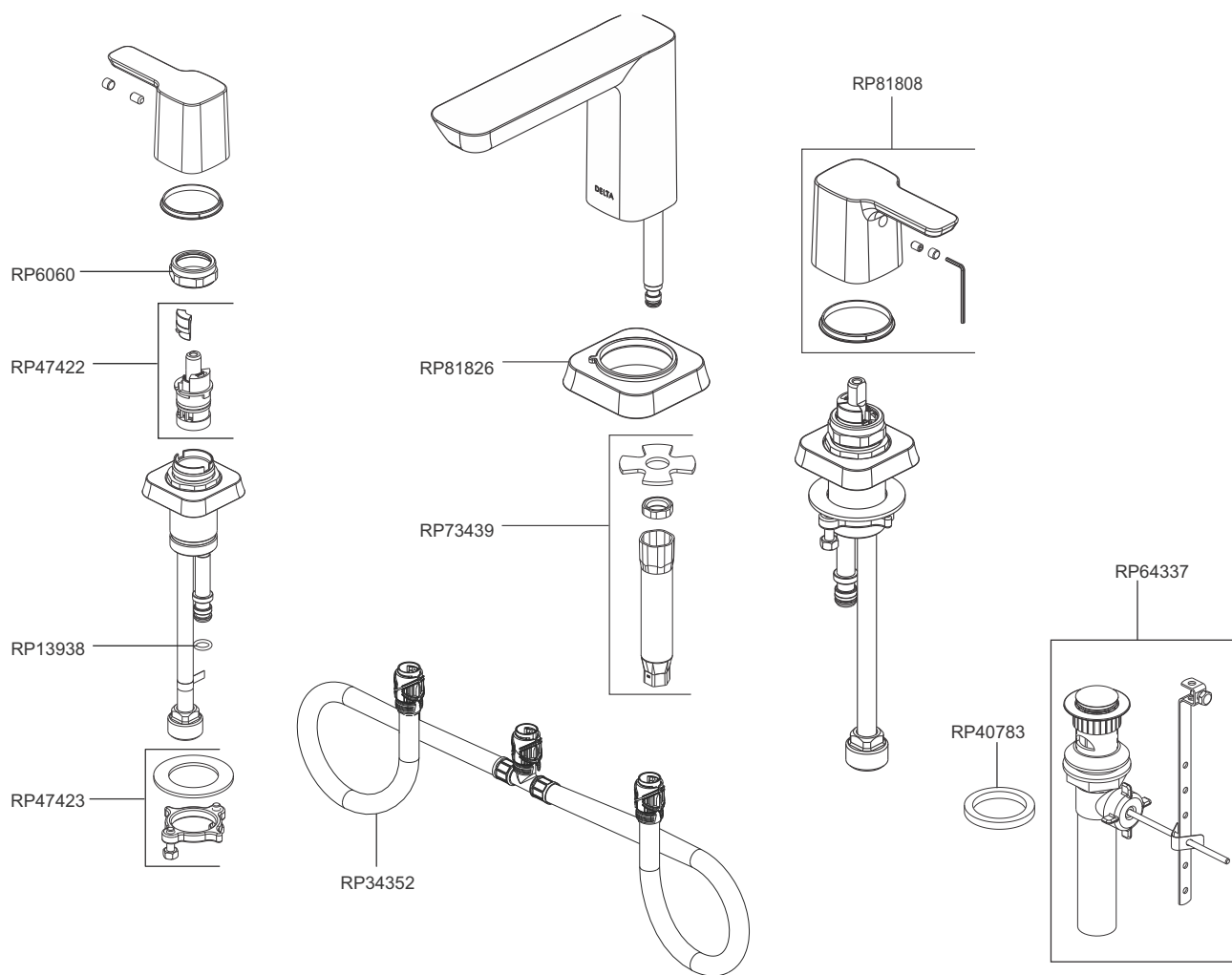


Technical Specification Sheet

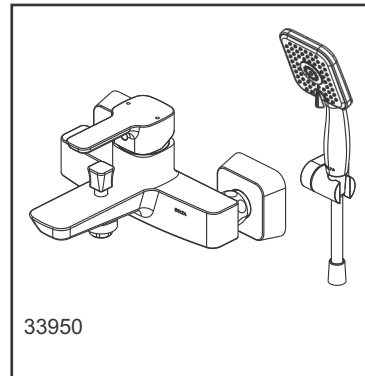
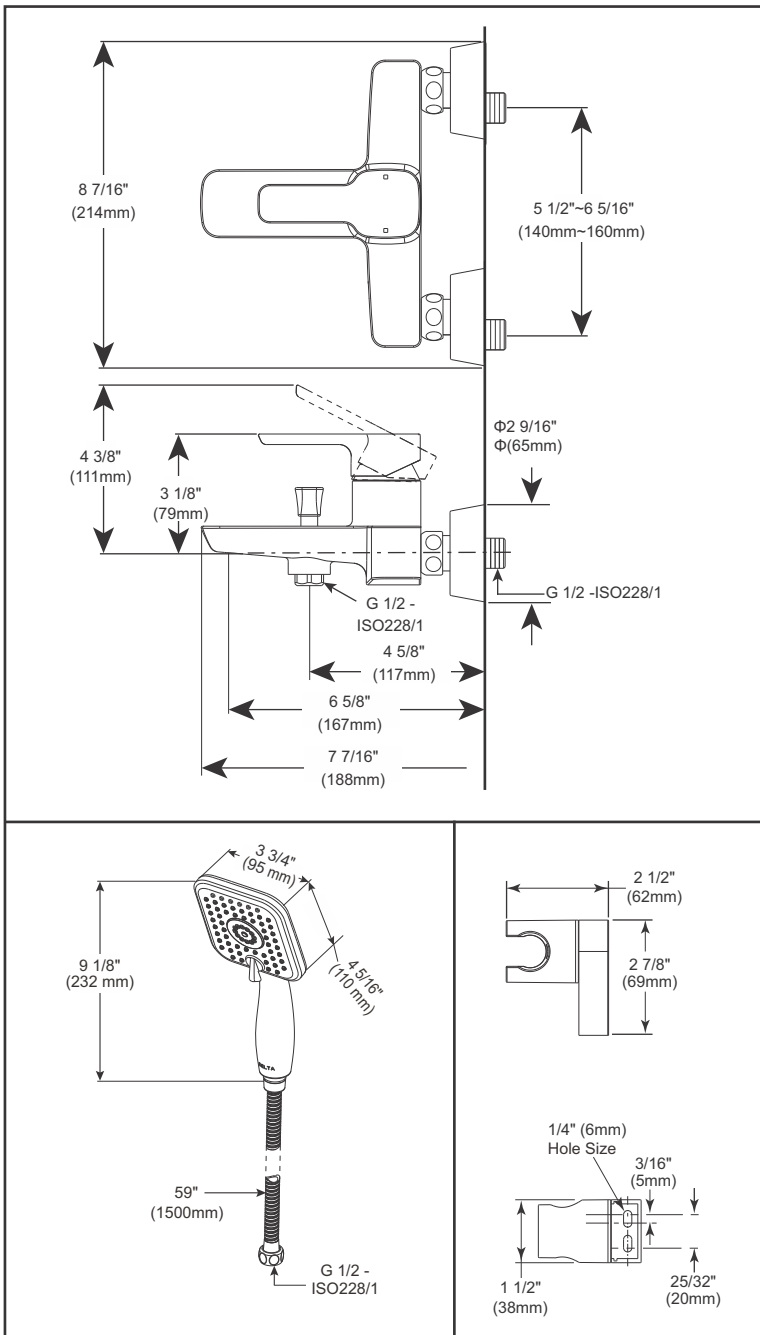


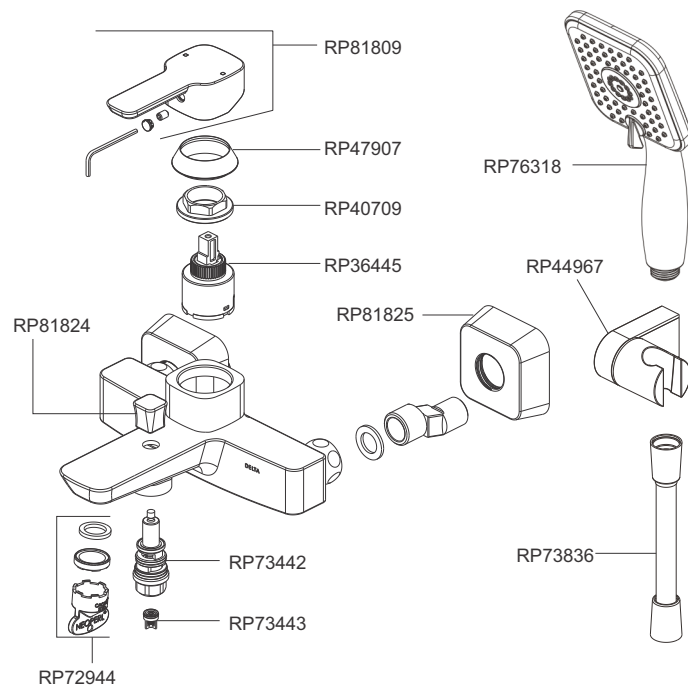
Two handle widespread lavatory

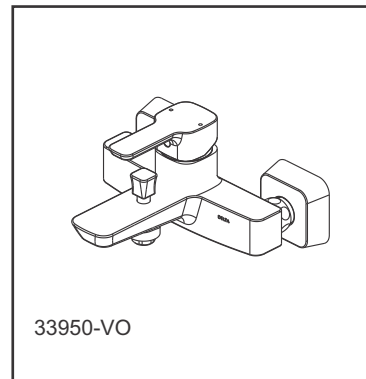
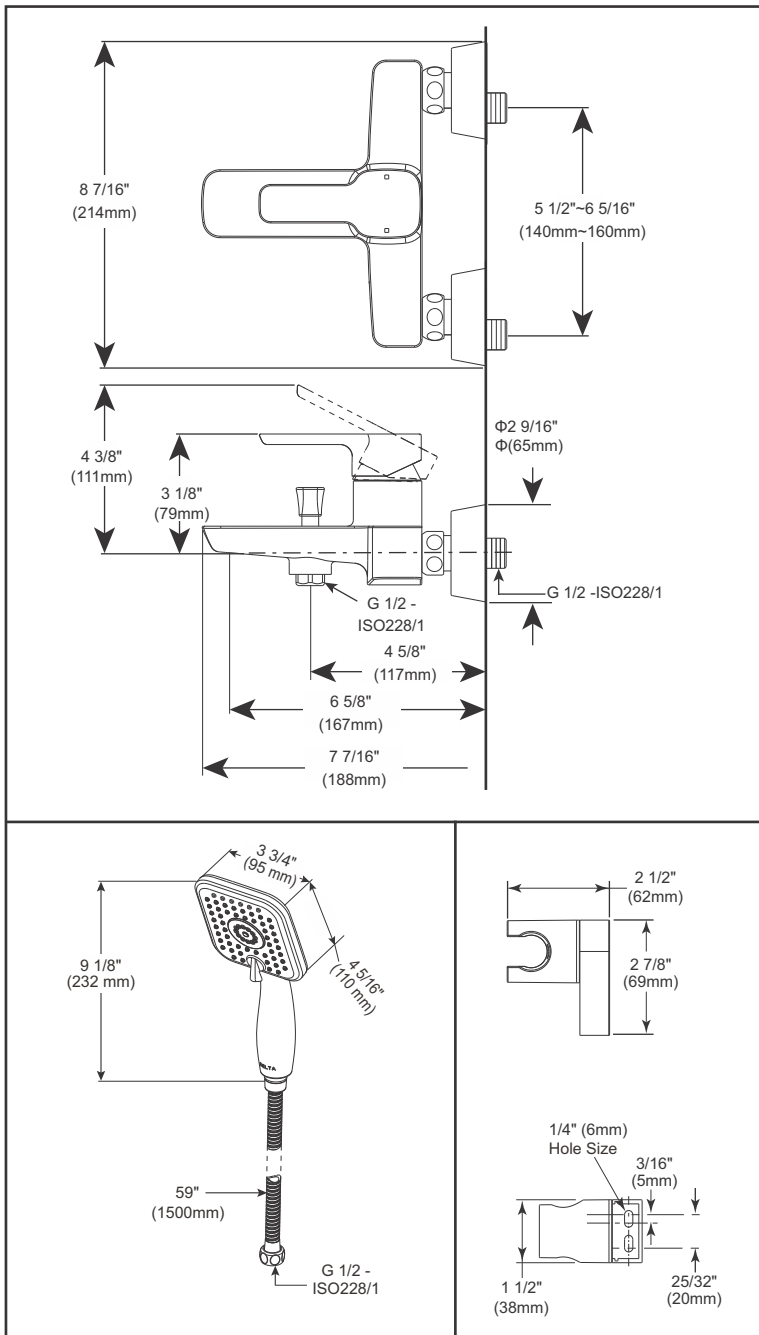
33940



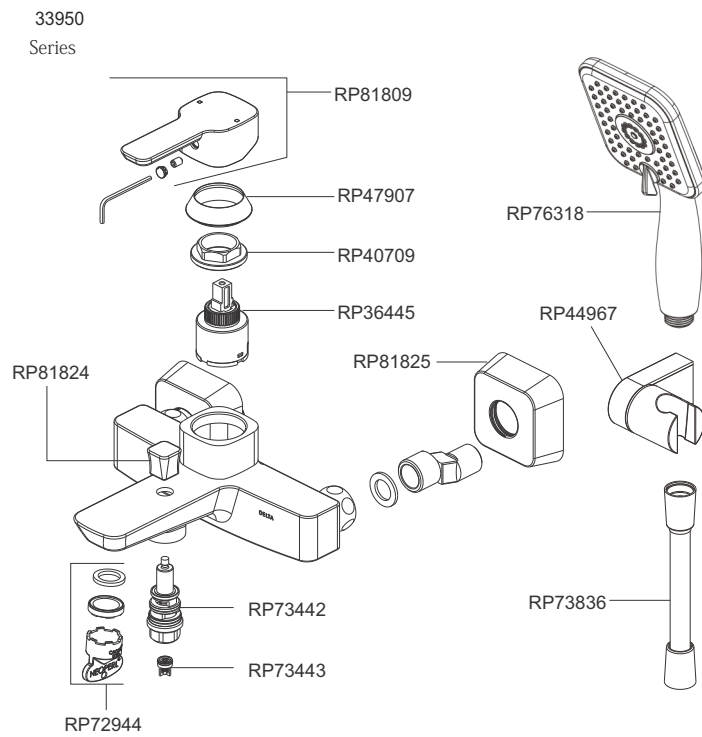
Technical Specification Sheet



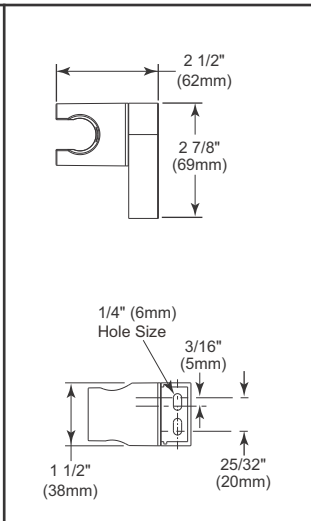
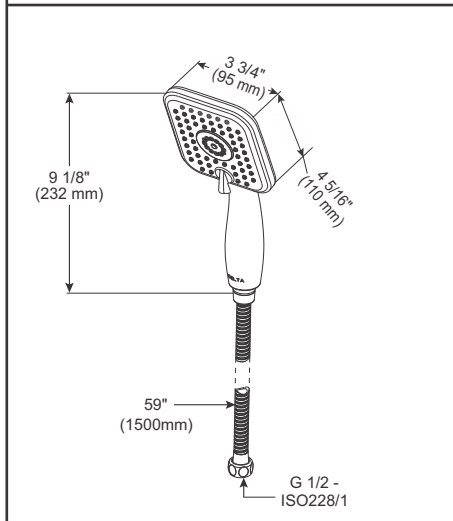
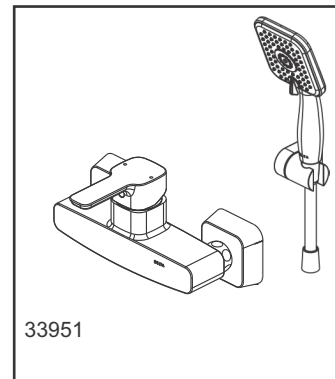
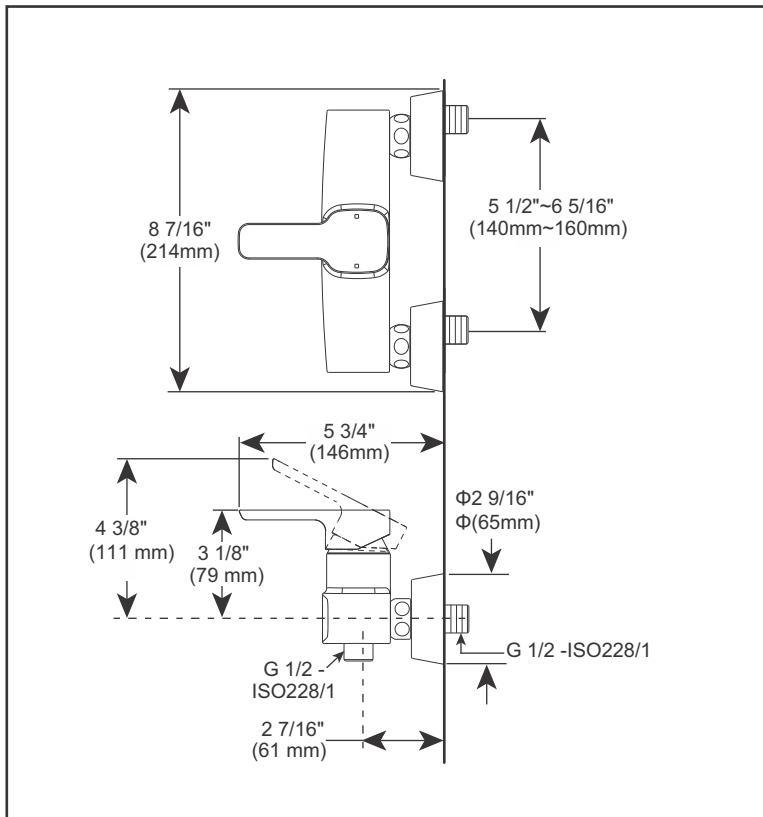


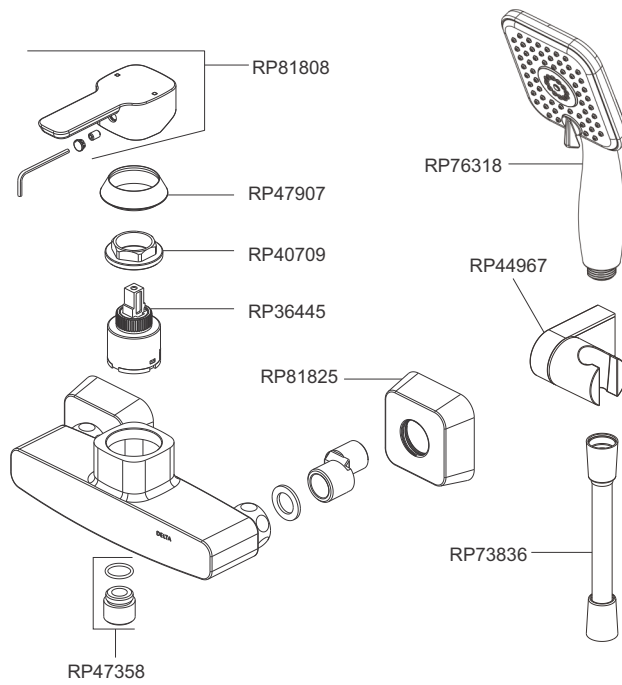
**Technical Specification Sheet**




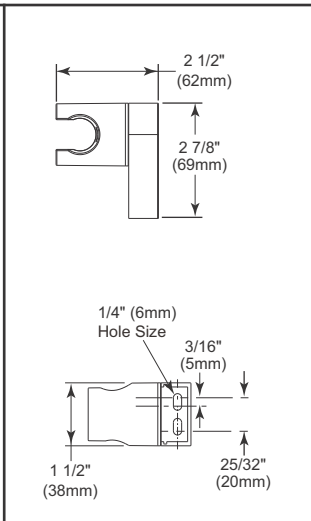
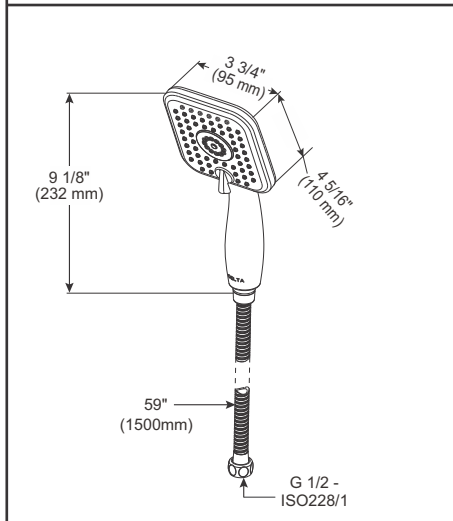
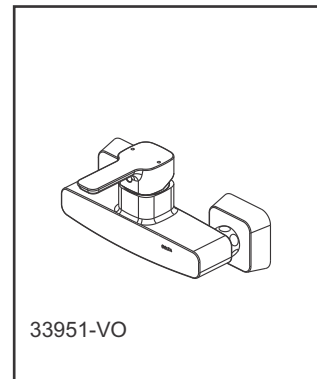
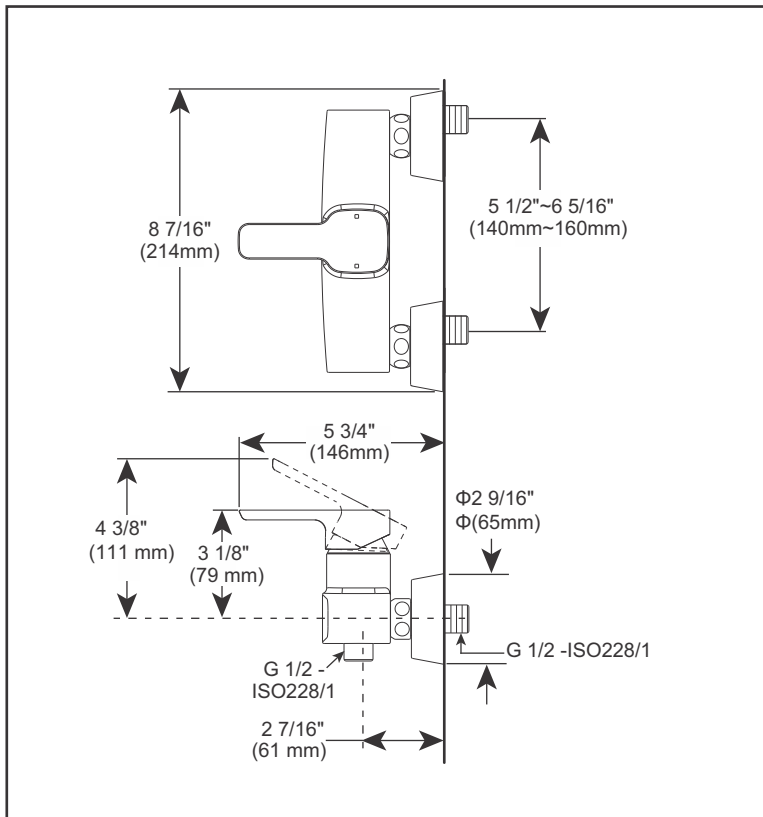


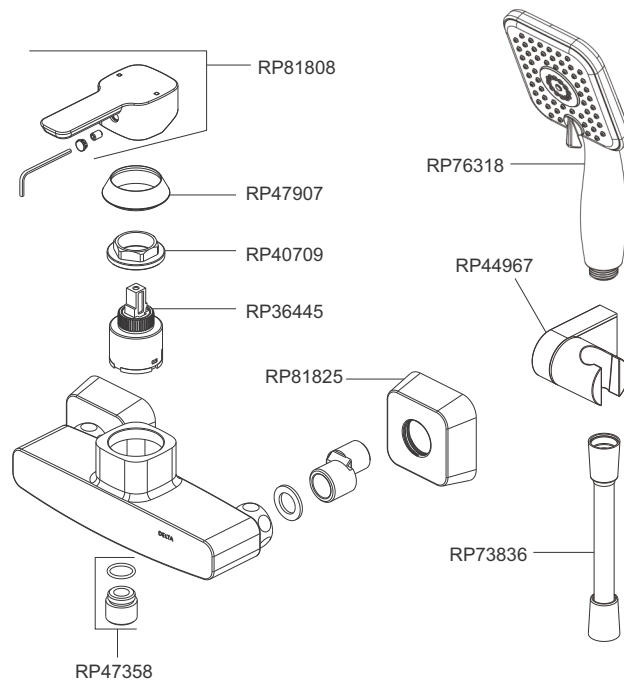
Technical Specification Sheet



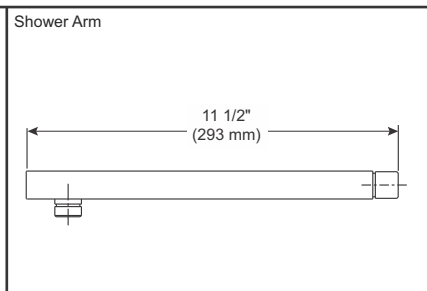
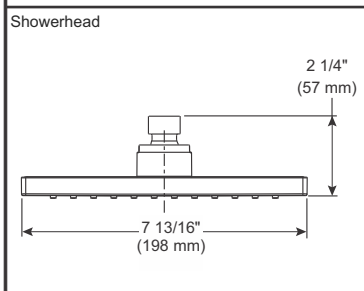
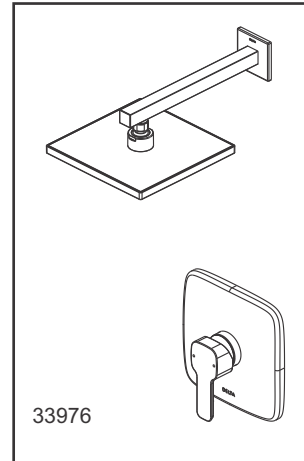
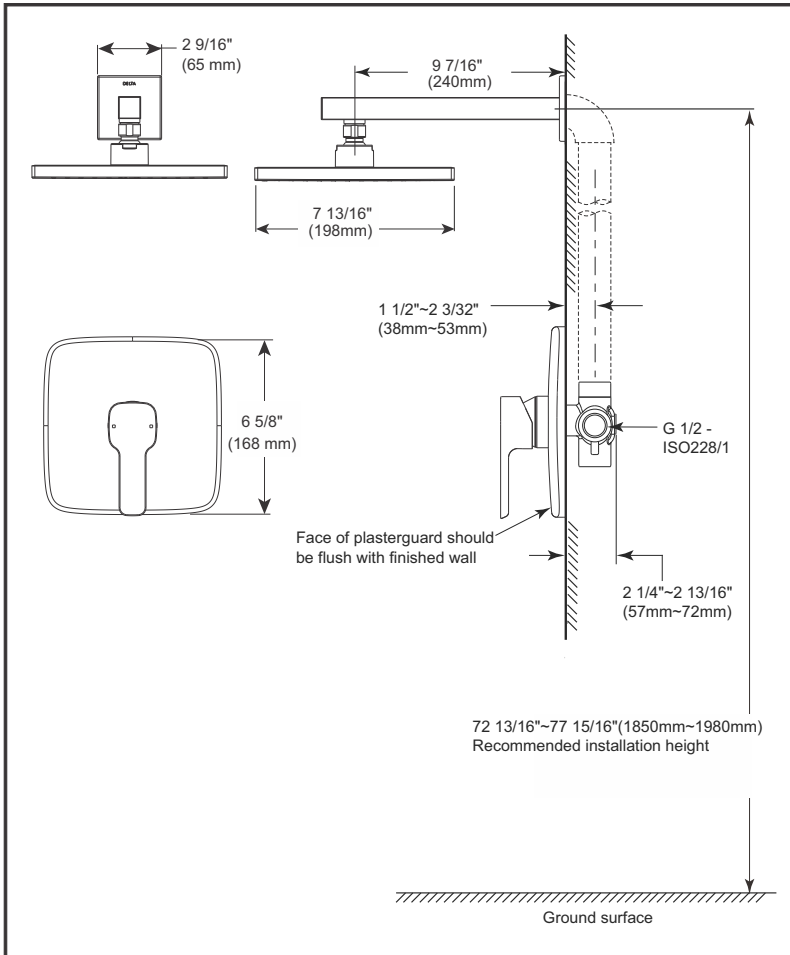


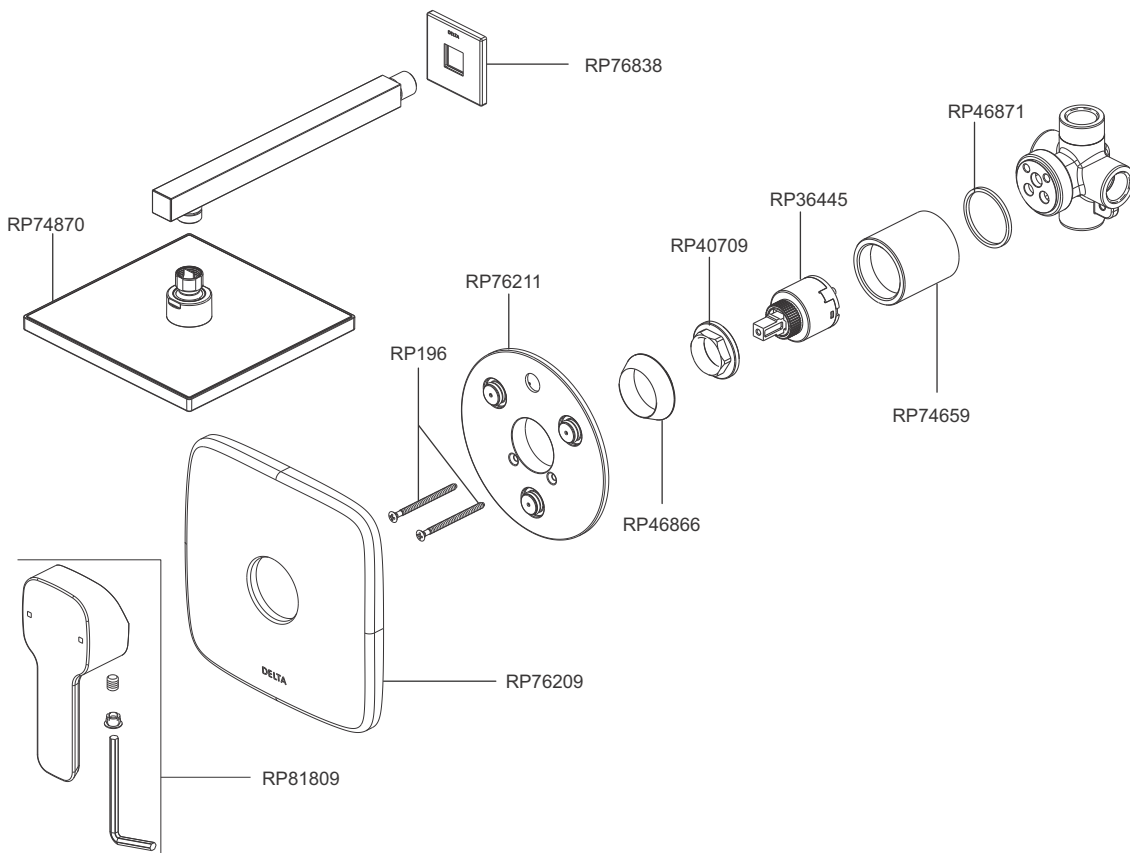
Technical Specification Sheet



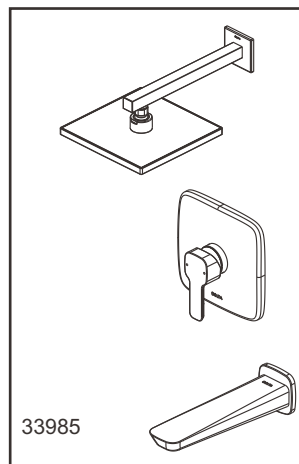
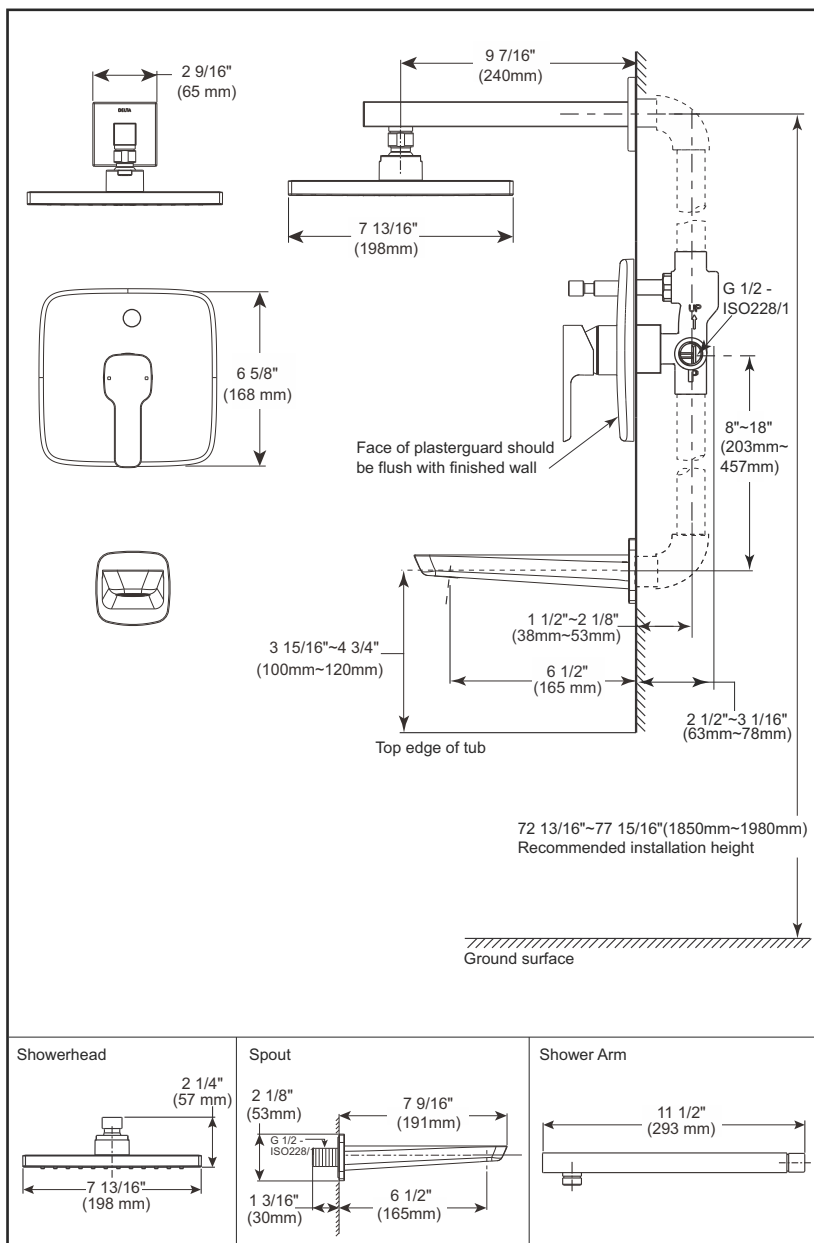


Technical Specification Sheet

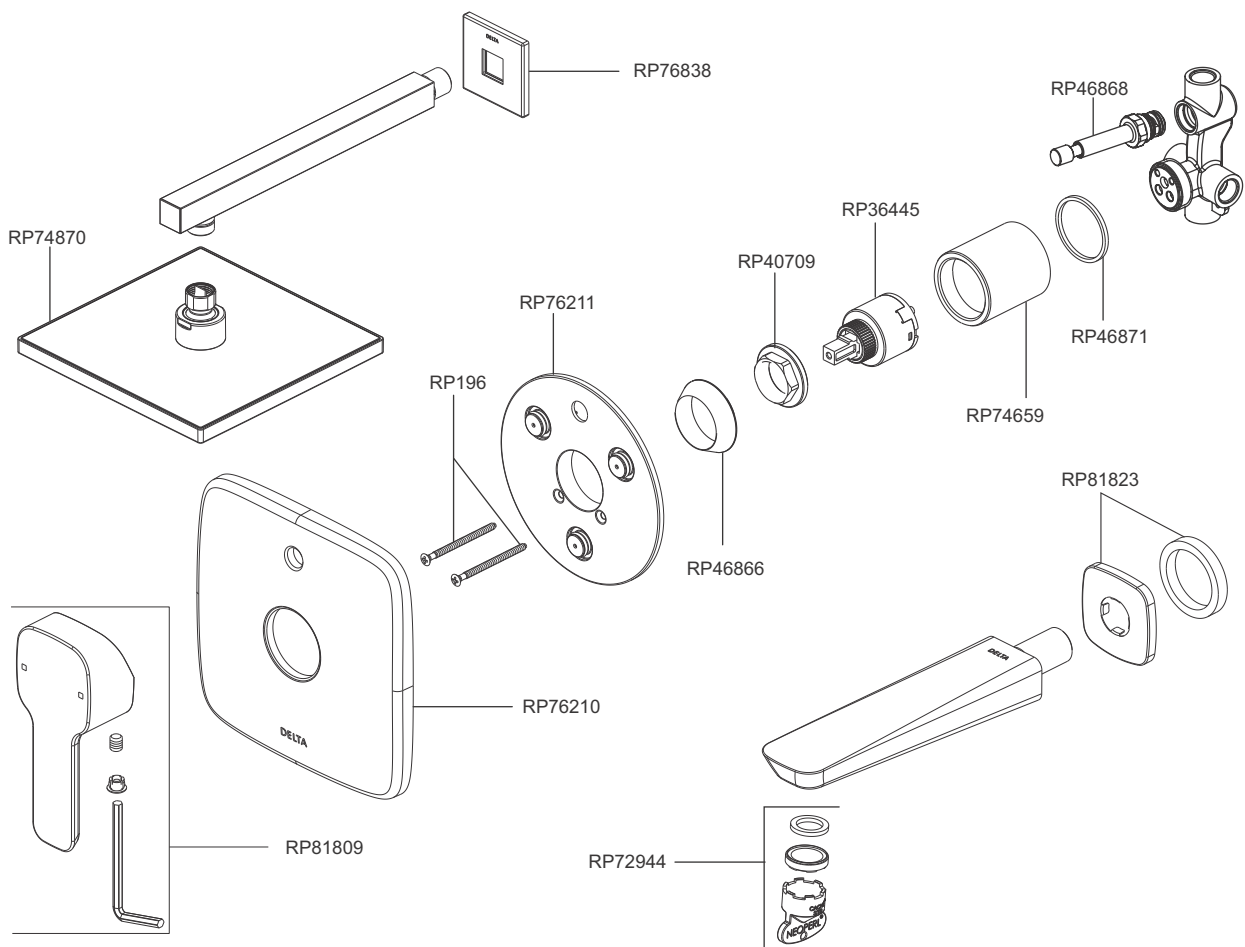


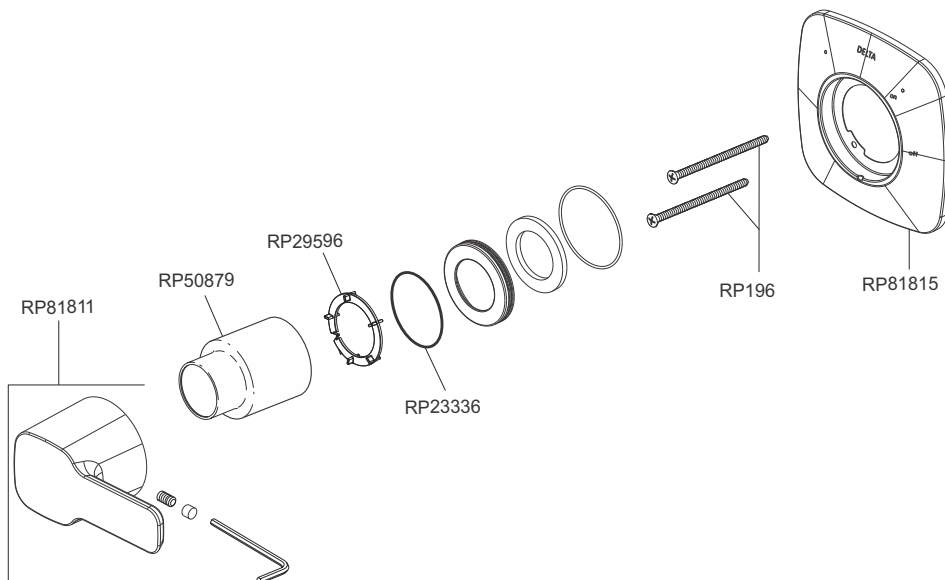
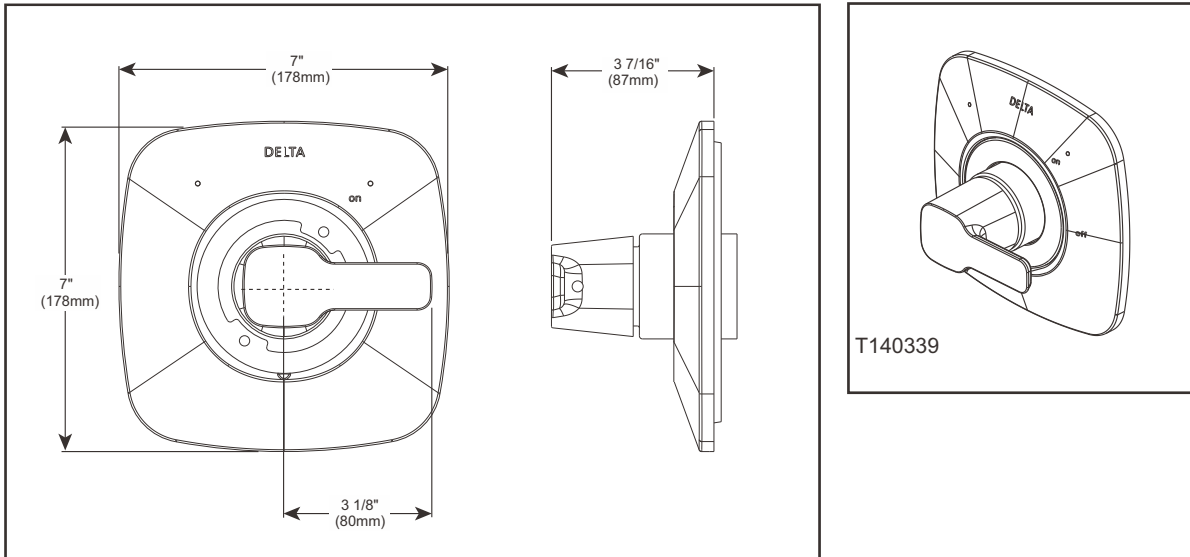


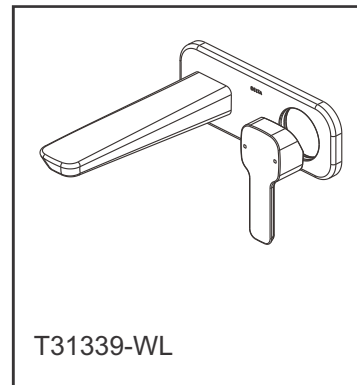
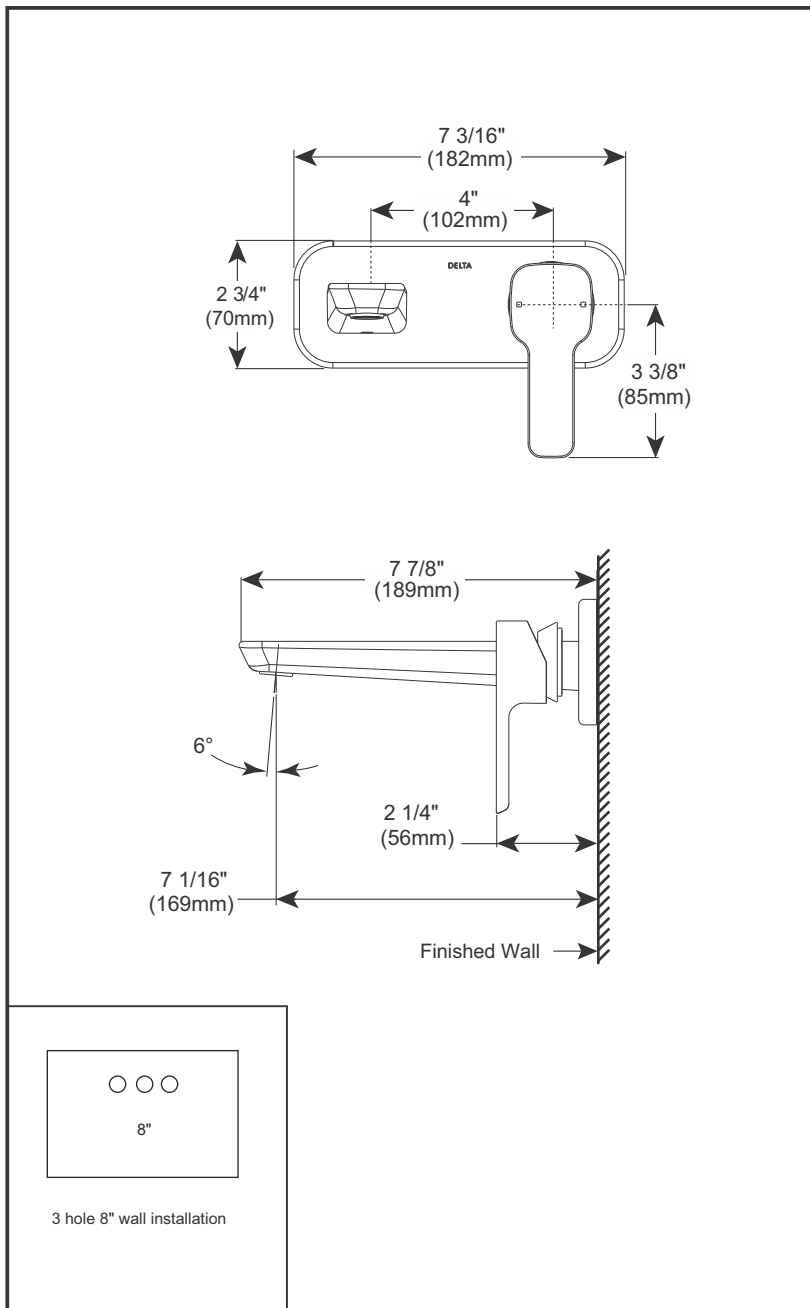
Technical Specification Sheet

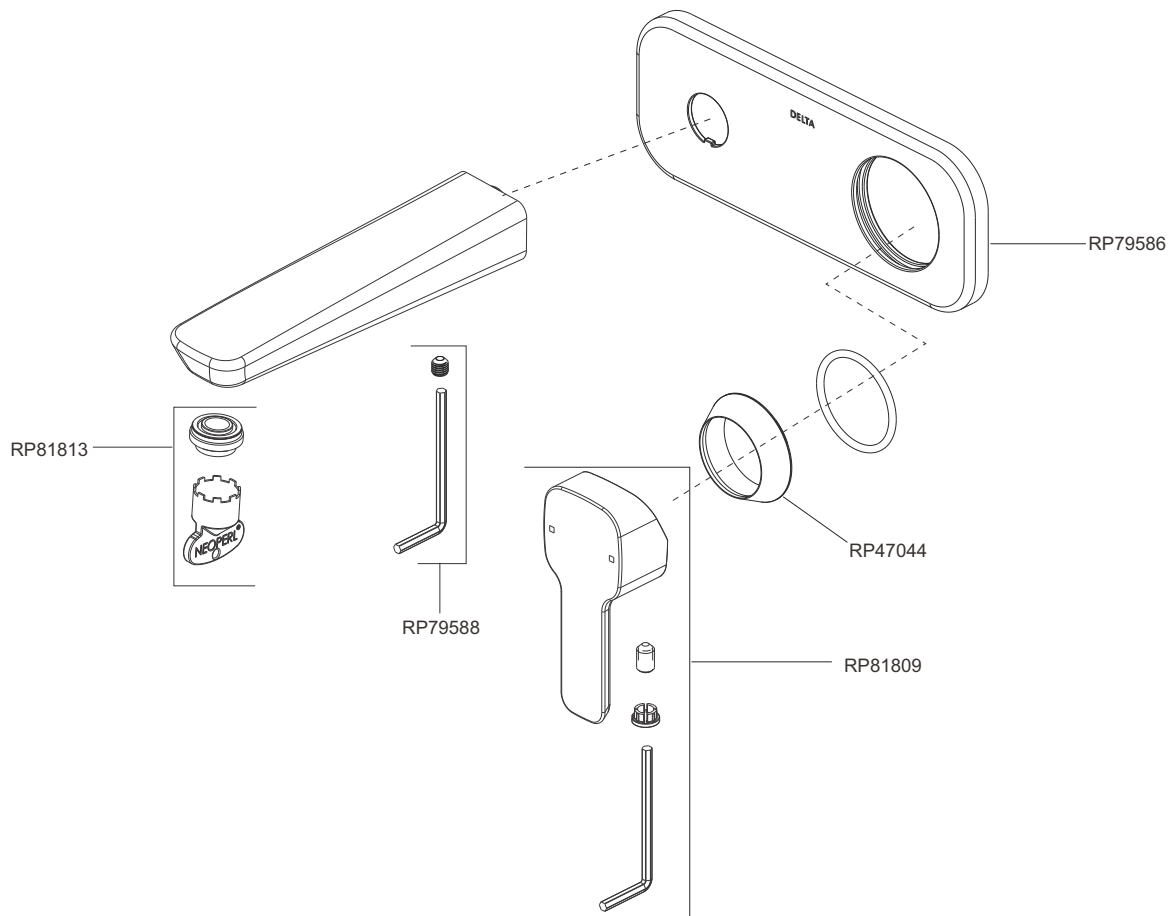




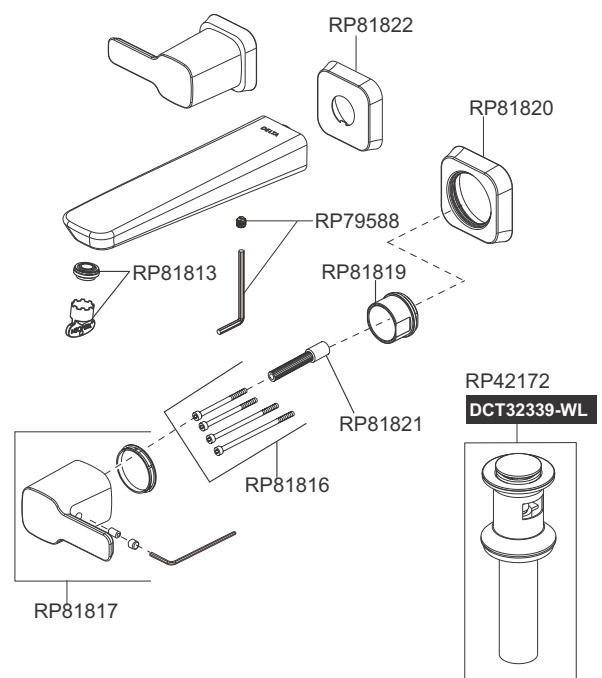
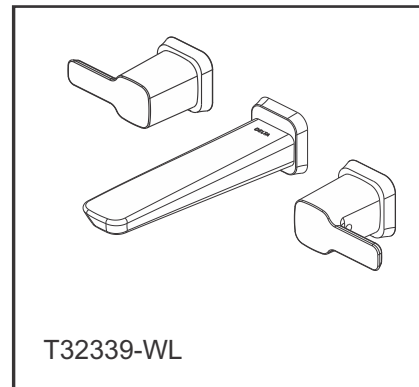
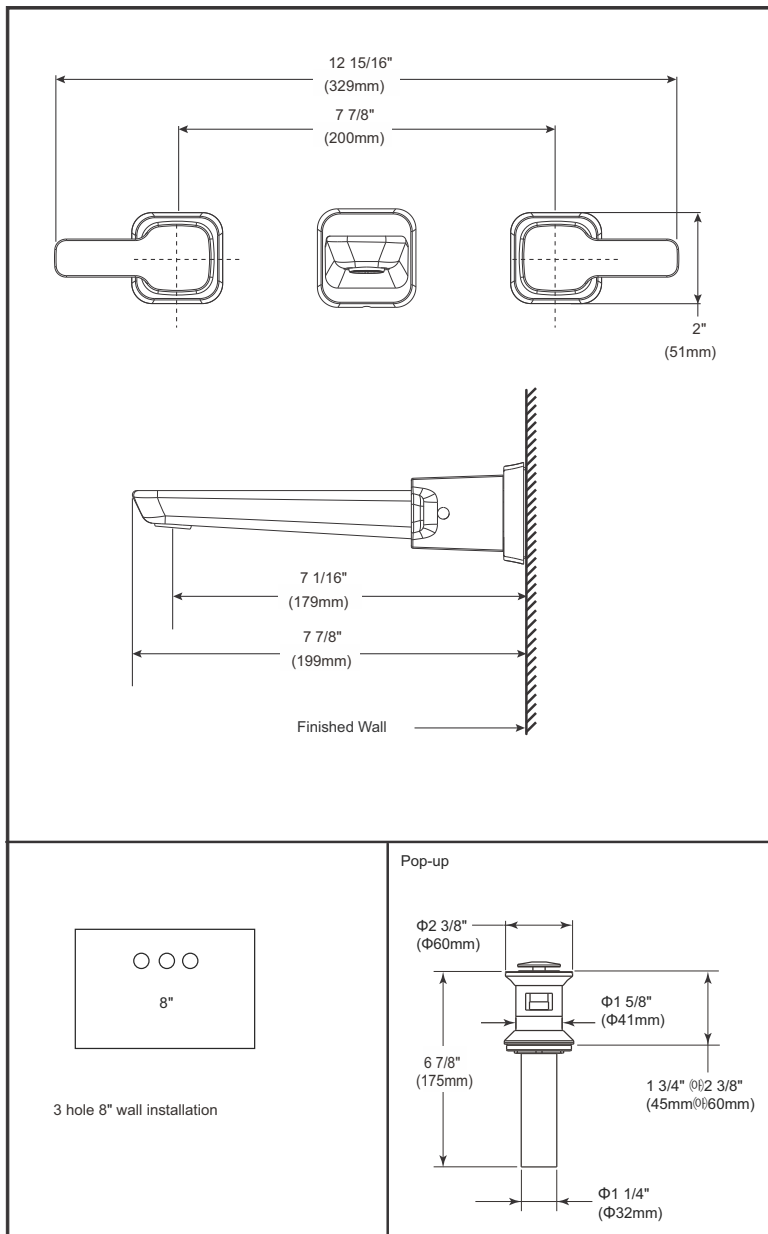


**Technical Specification Sheet**


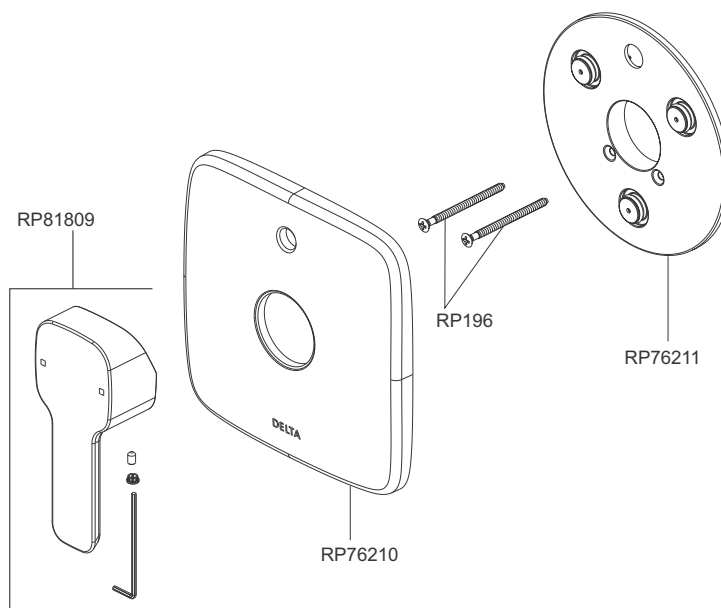
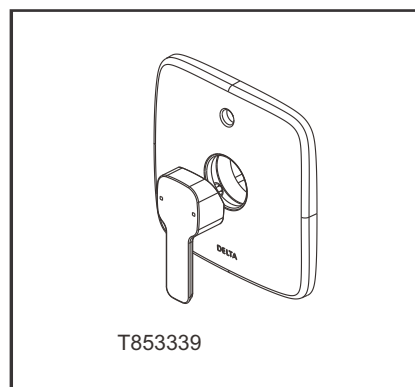
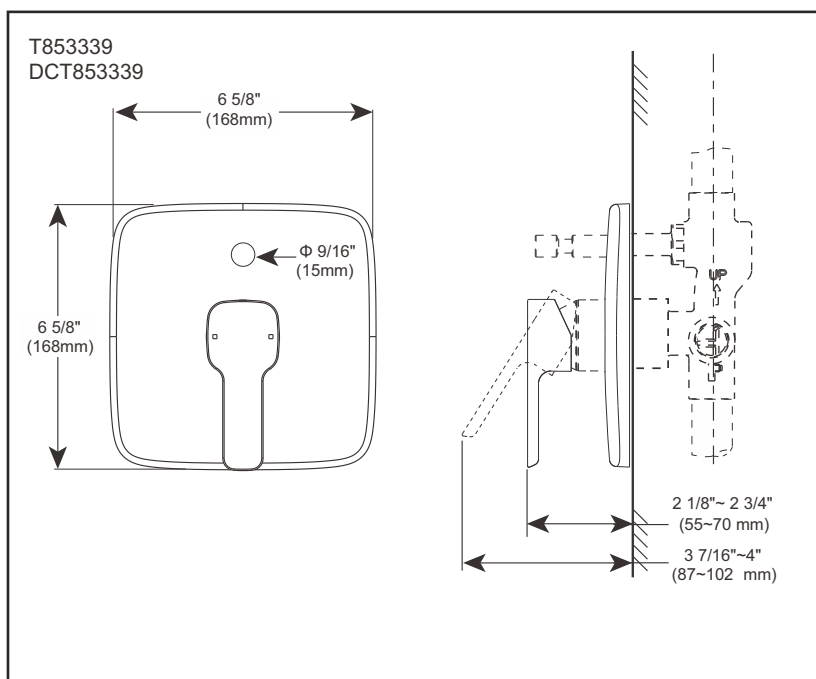
**Technical Specification Sheet**




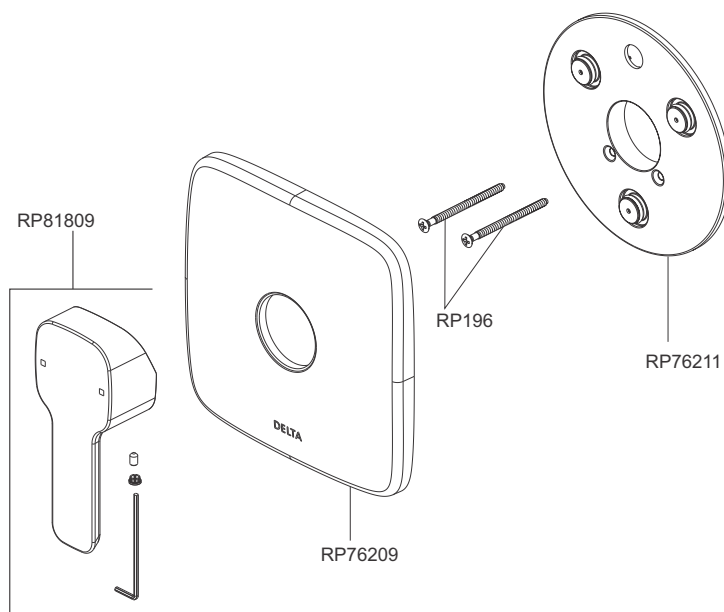
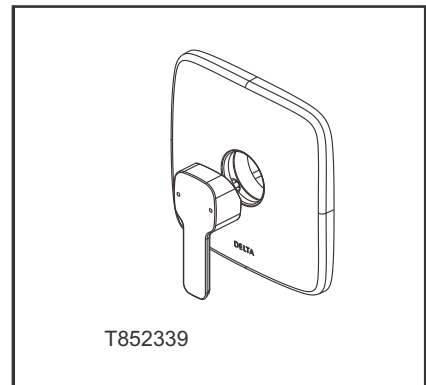
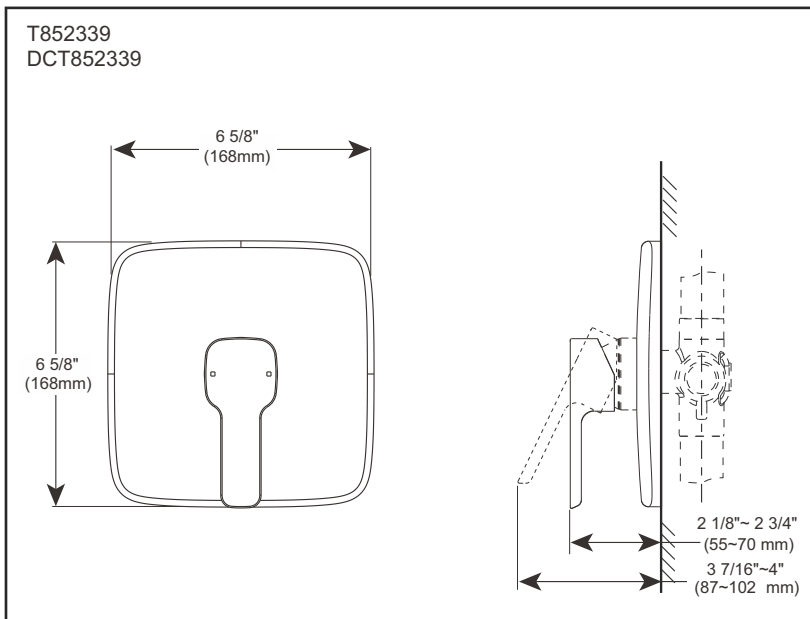
Technical Specification Sheet



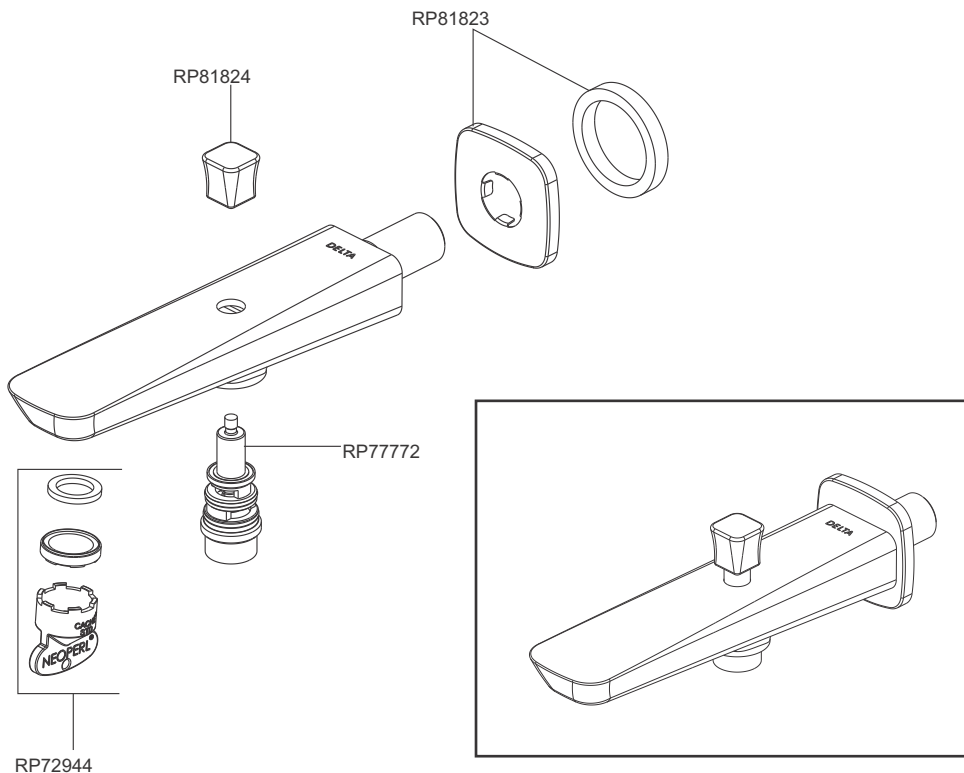
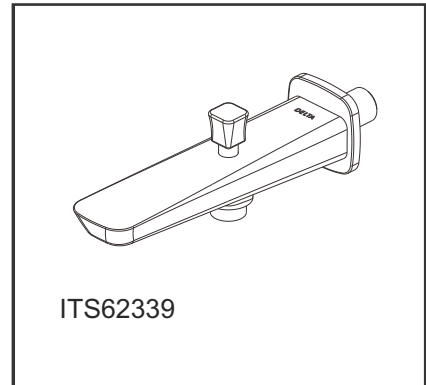
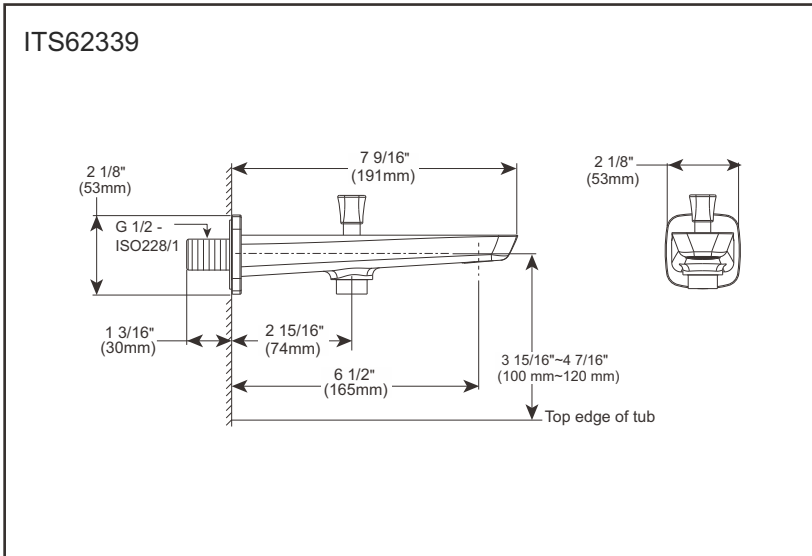
Technical Specification Sheet



Technical Specification Sheet

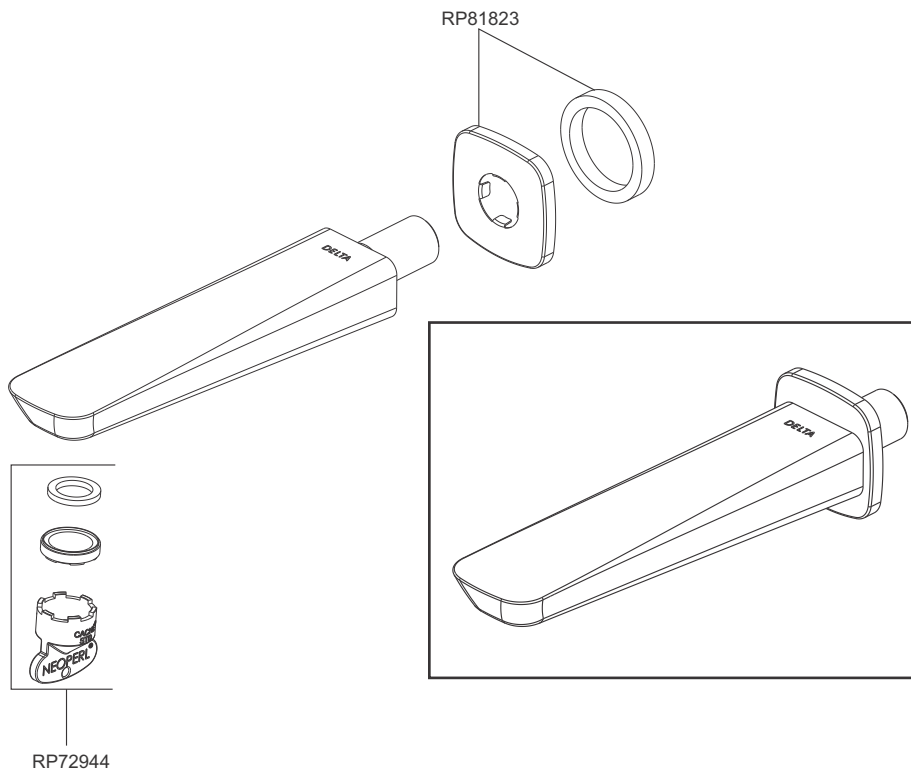
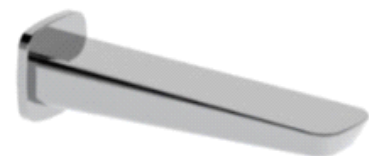
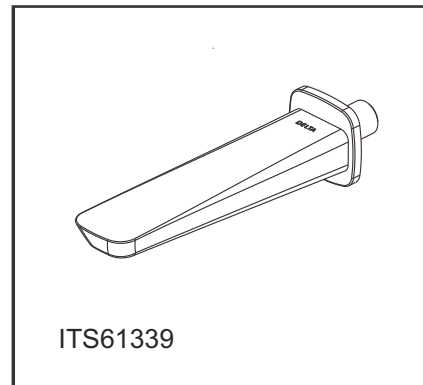
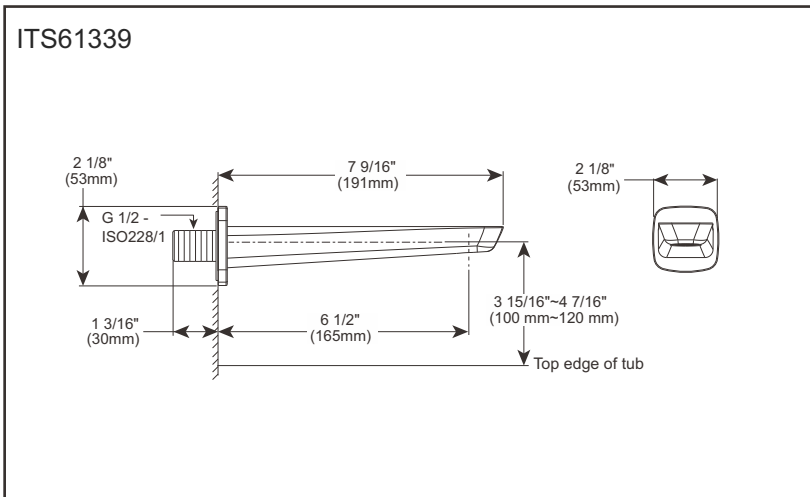


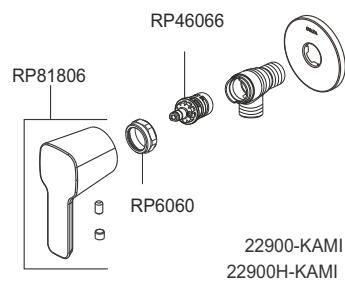
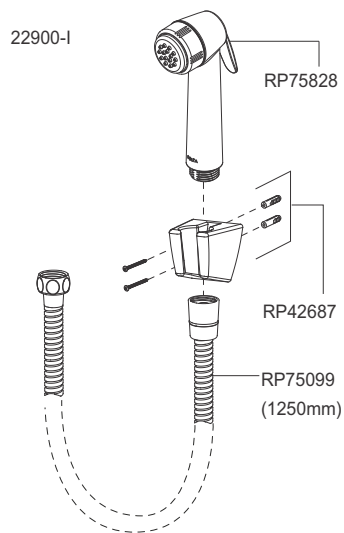
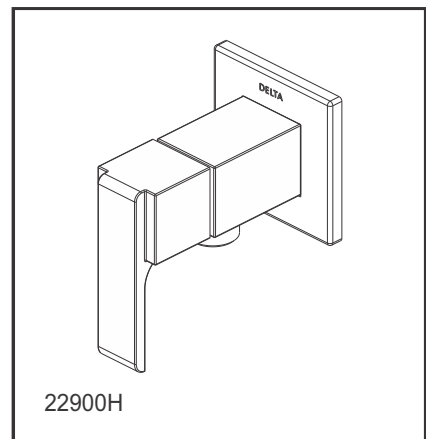
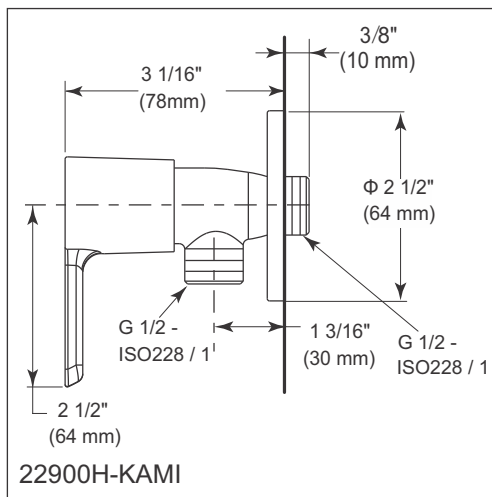
Technical Specification Sheet

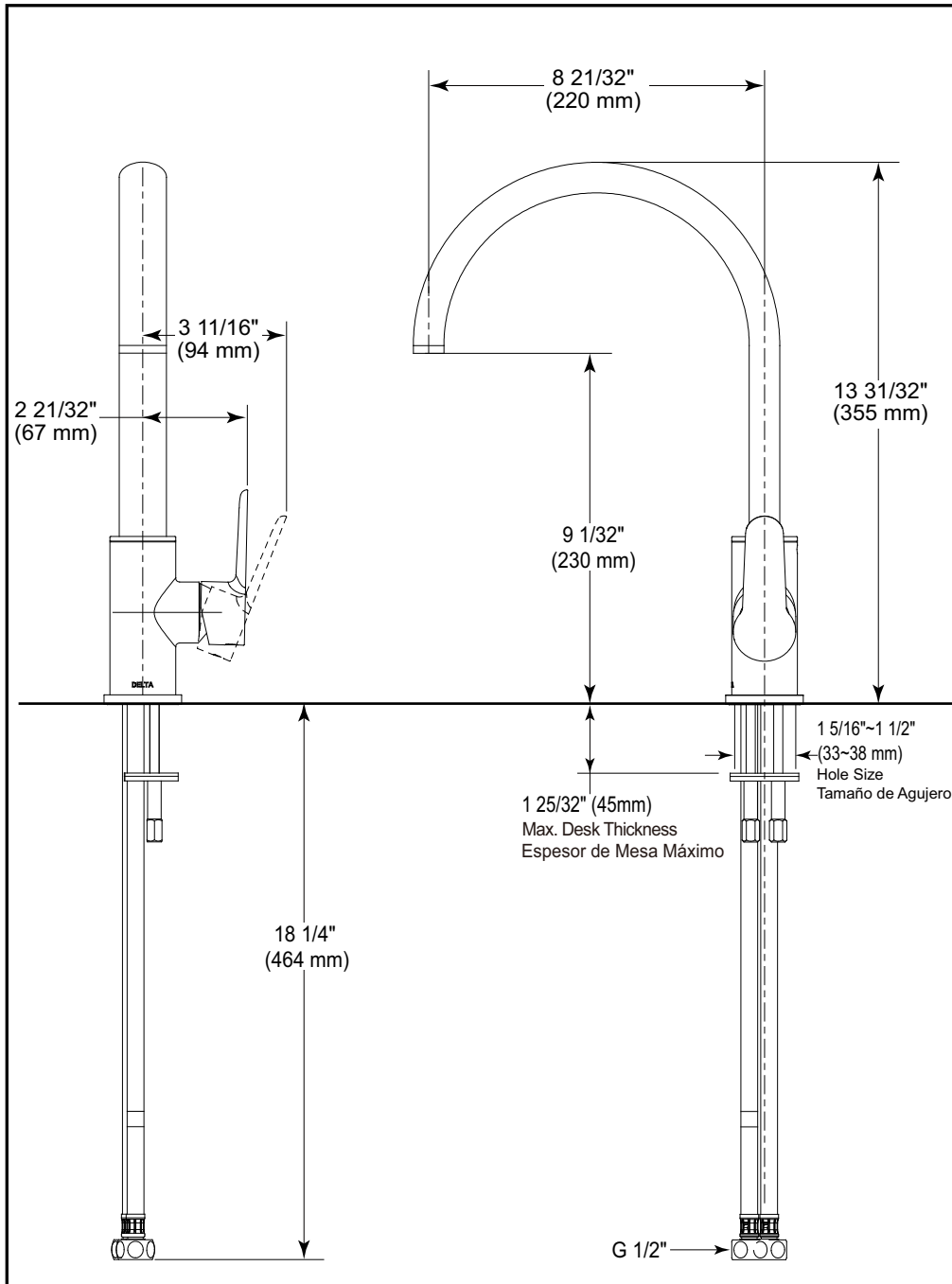


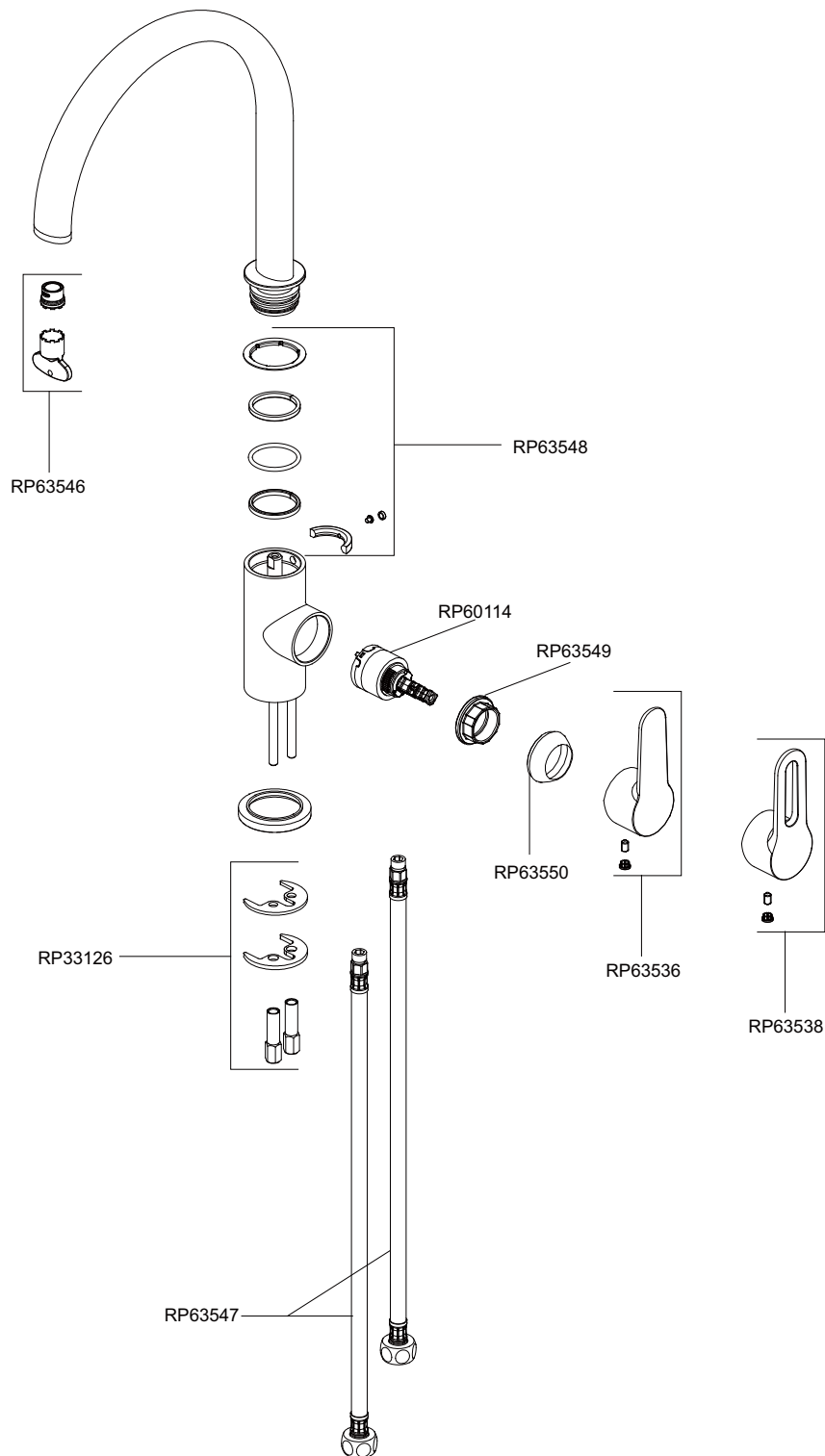


Technical Specification Sheet

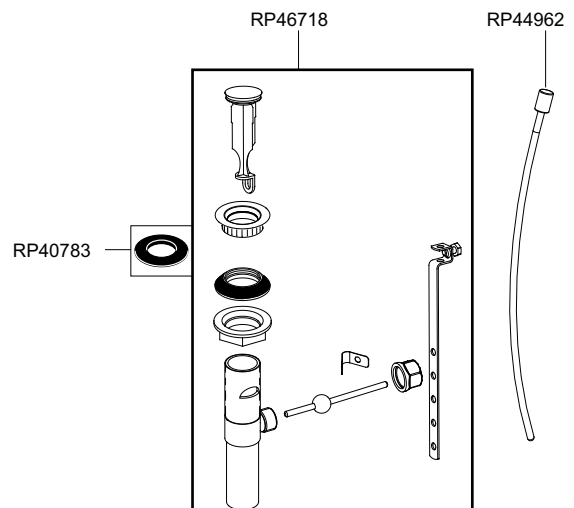
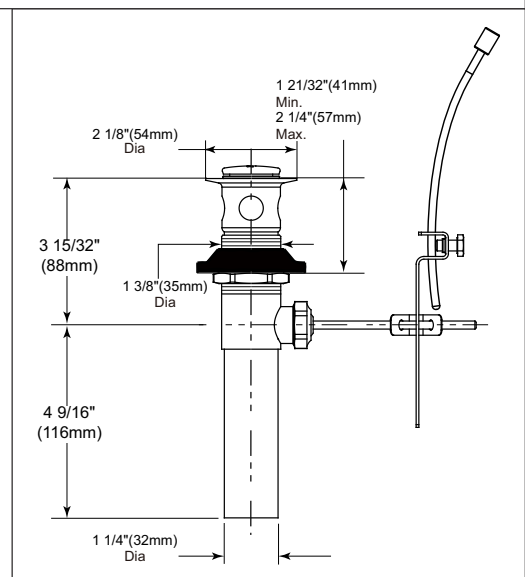
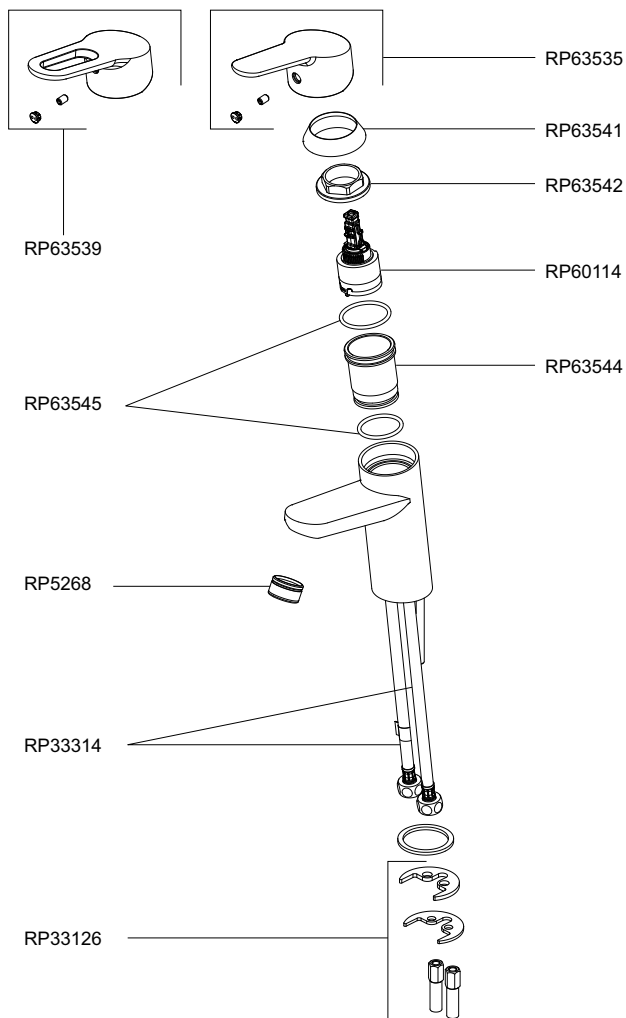
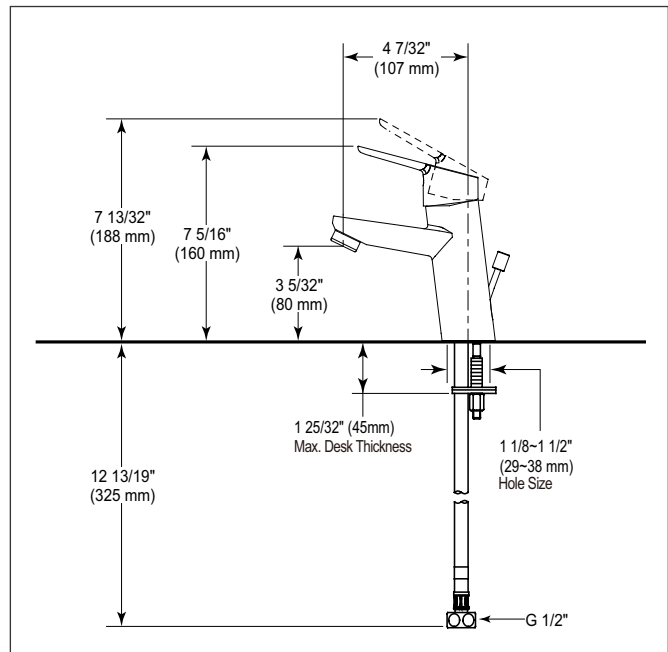


**Technical Specification Sheet**


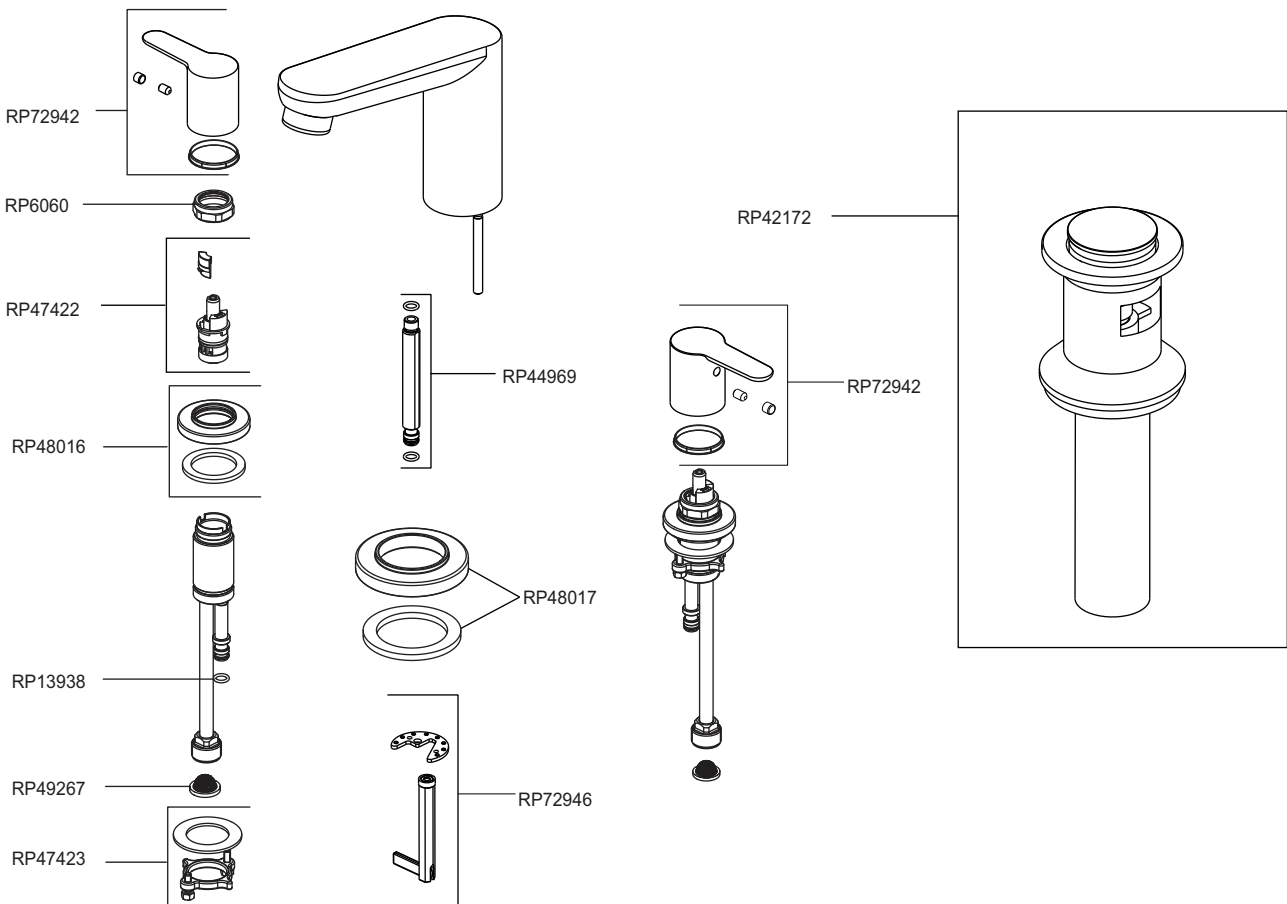
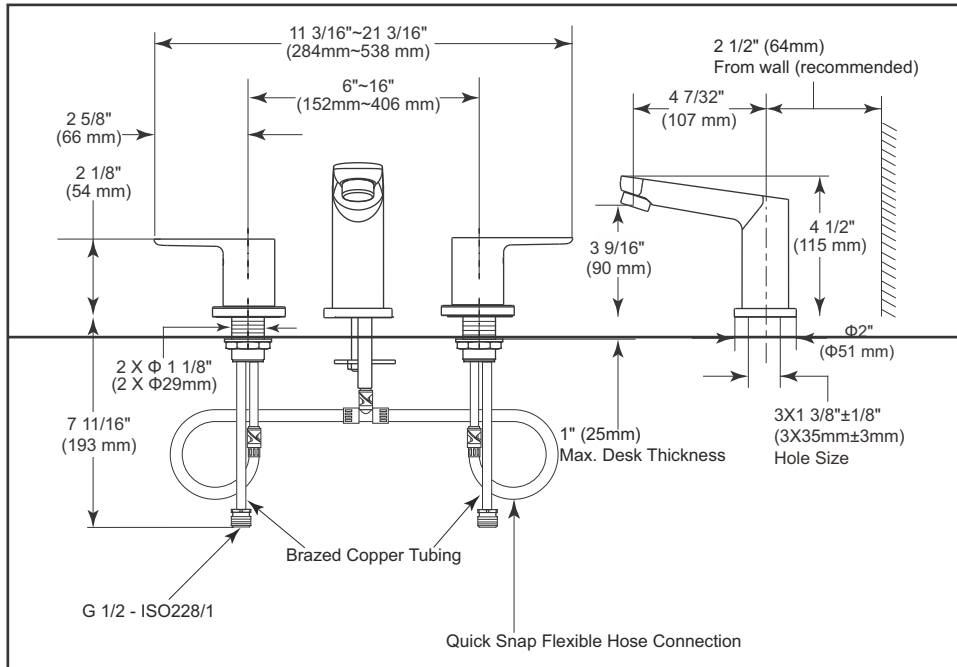
**Technical Specification Sheet**




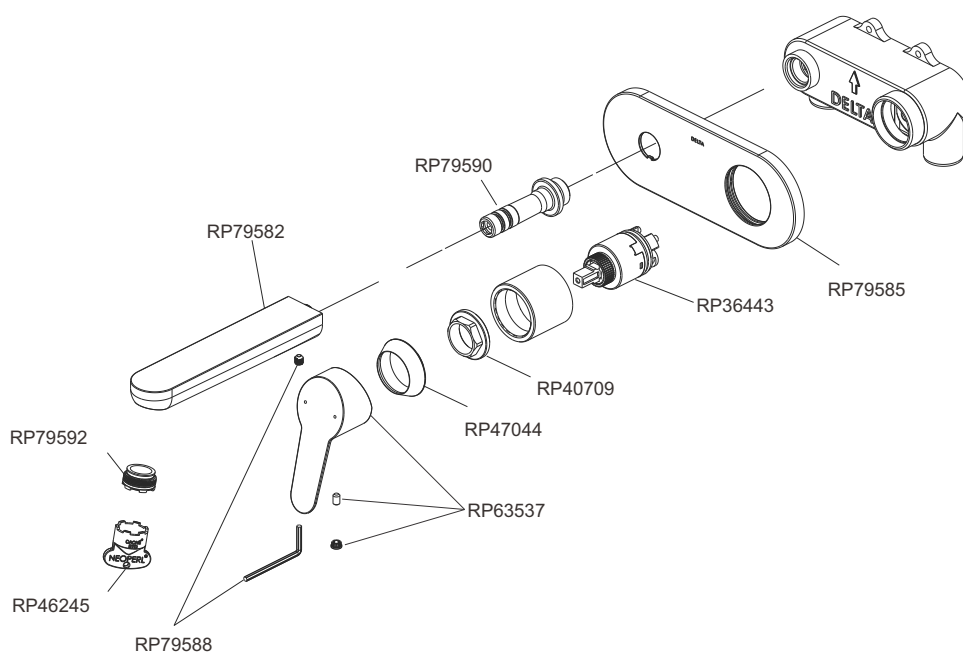
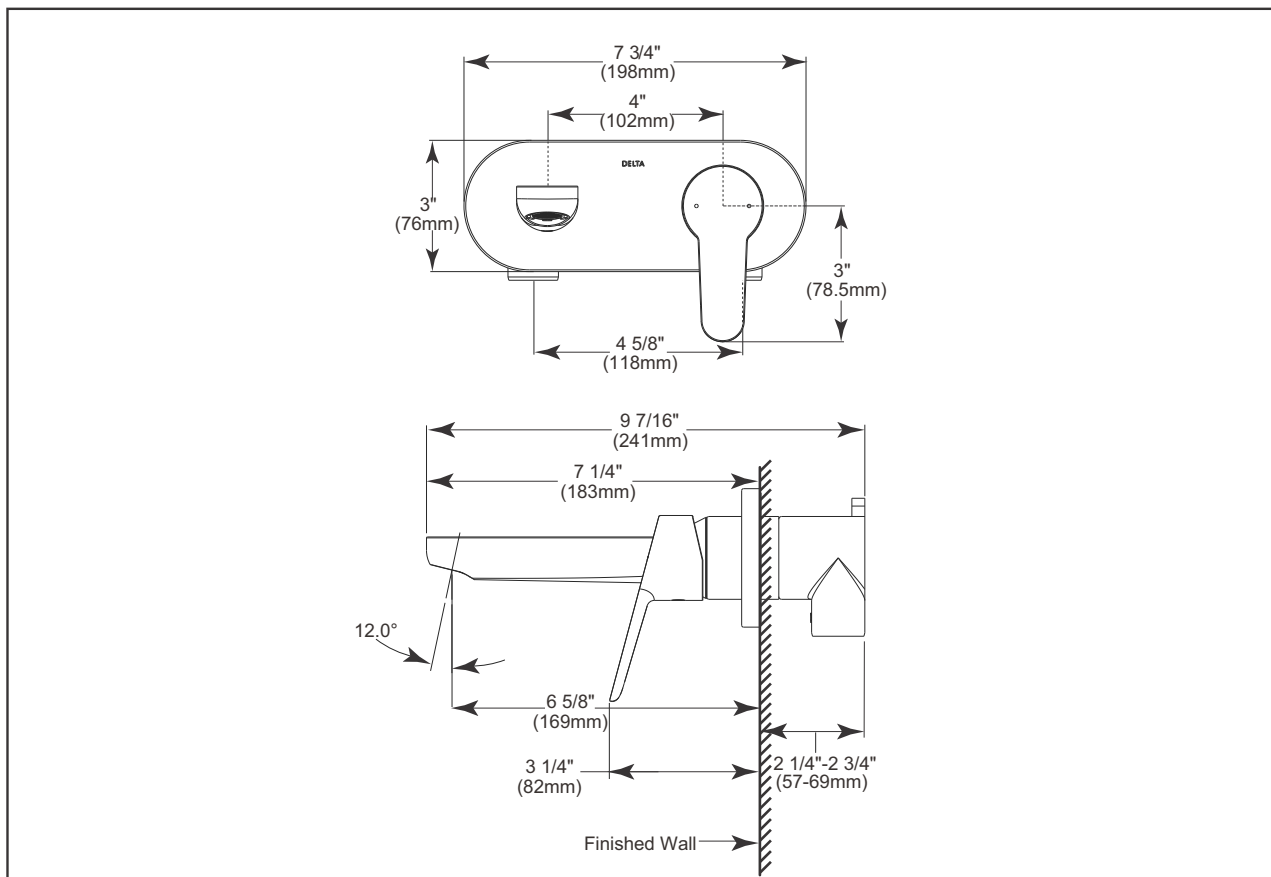
**Technical  
Specification  
Sheet**



Technical Specification Sheet

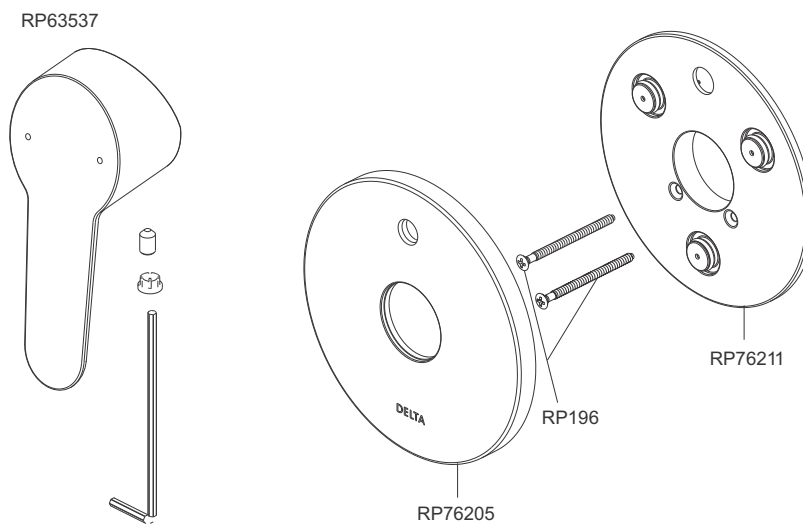
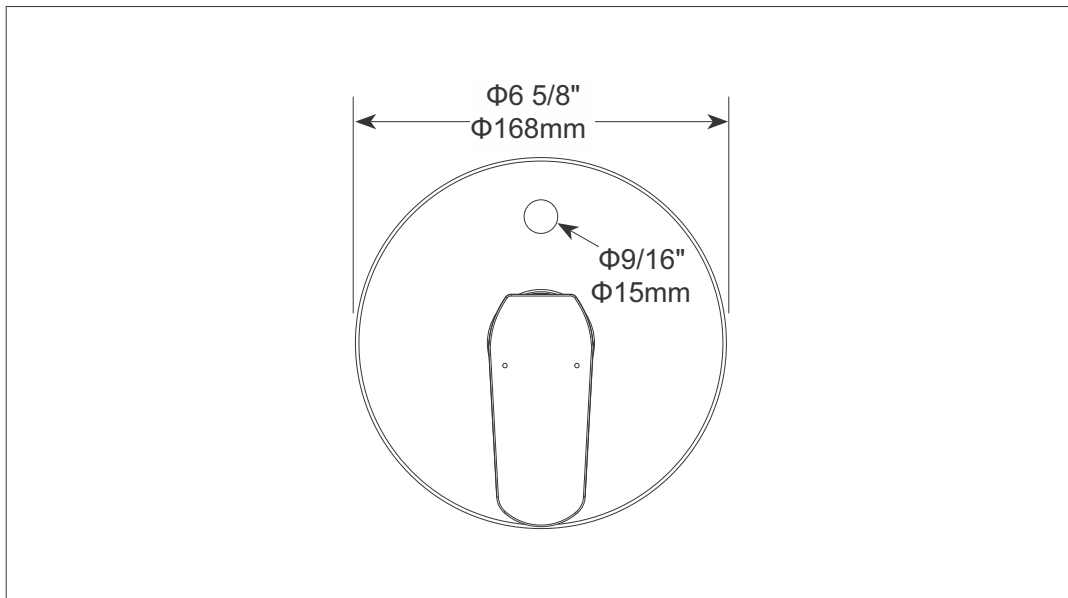




**Technical Specification Sheet**




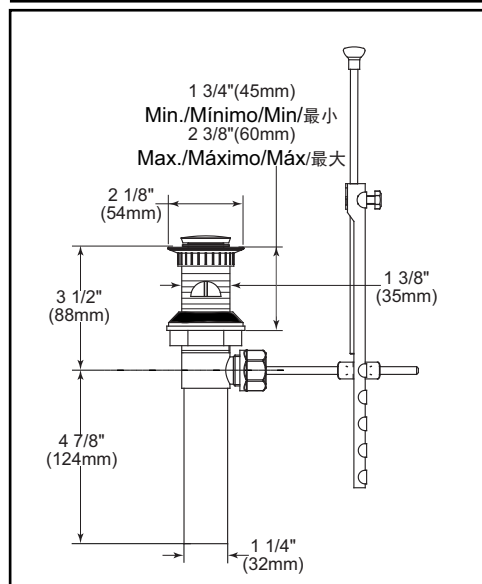
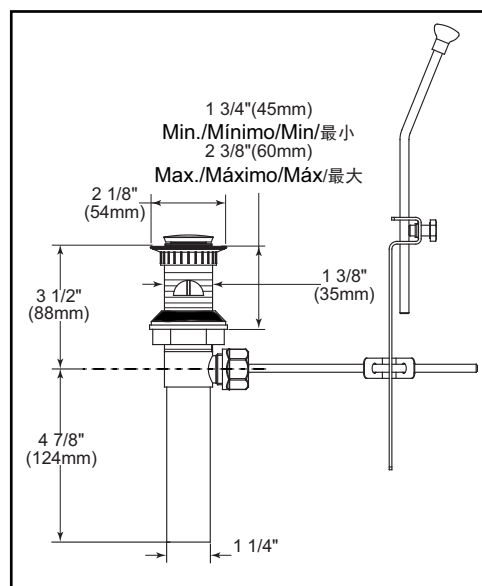
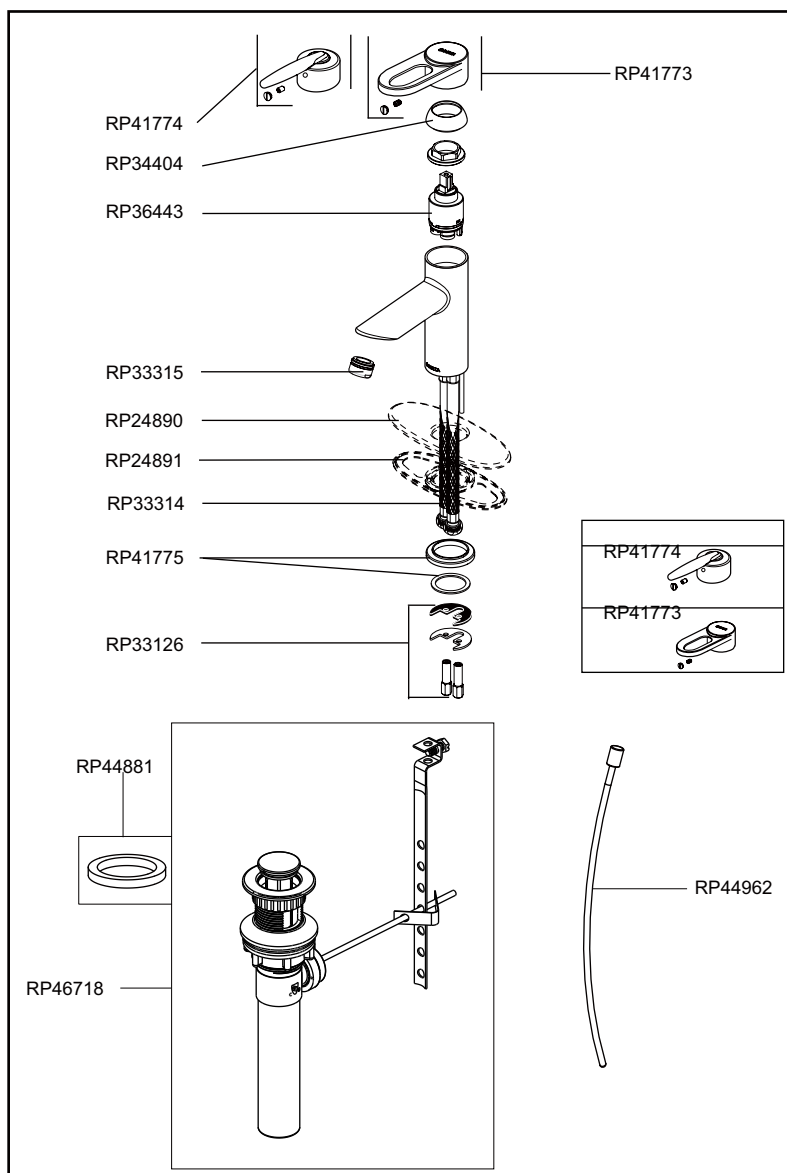
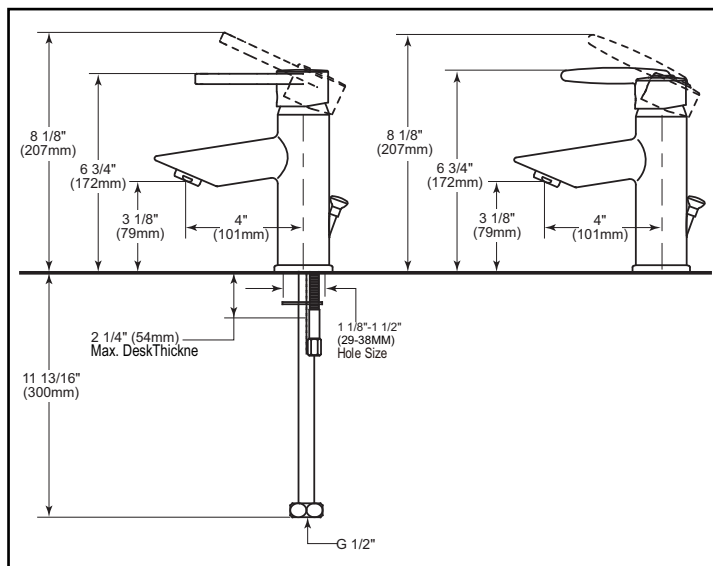
## Technical Specification Sheet



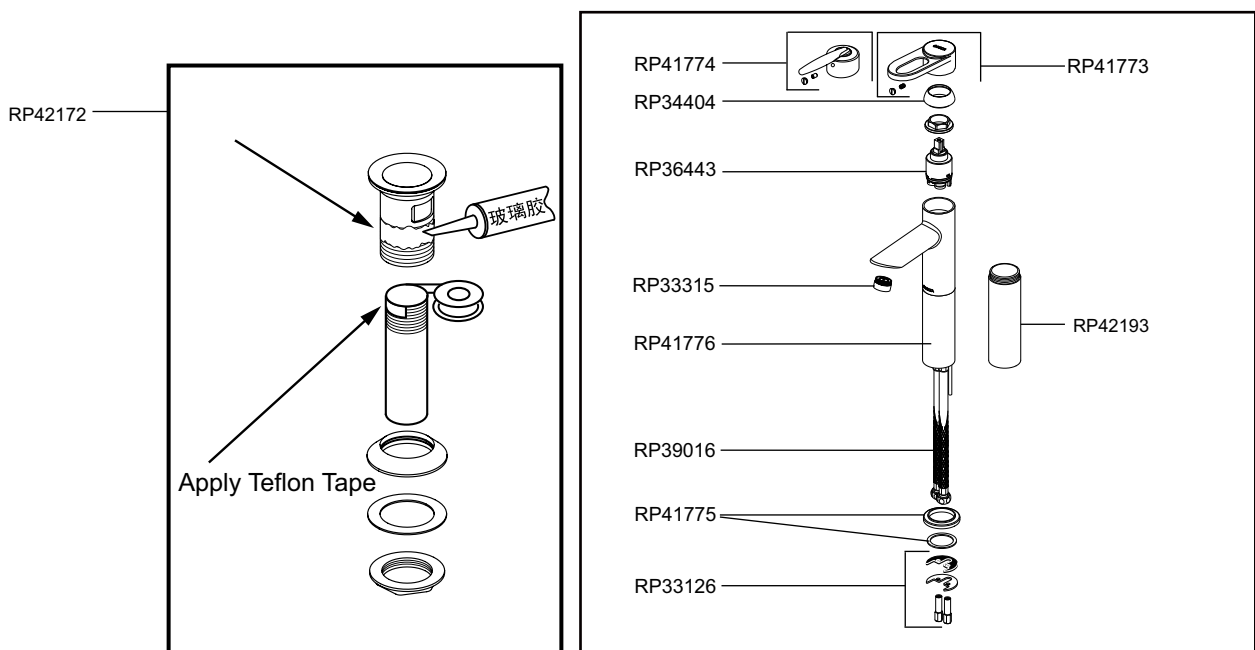
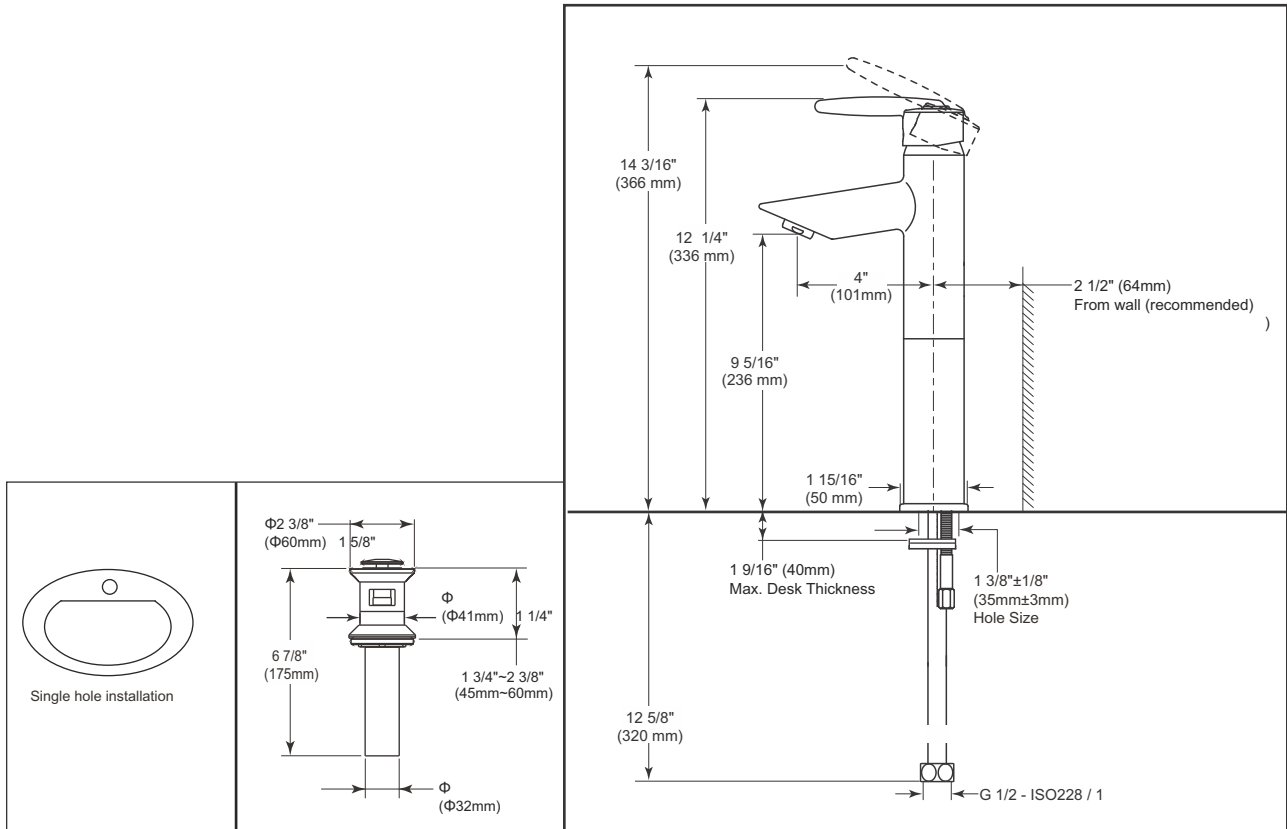
**Grail Single Handle Lav Faucet with Loop Handle with Pop Up**

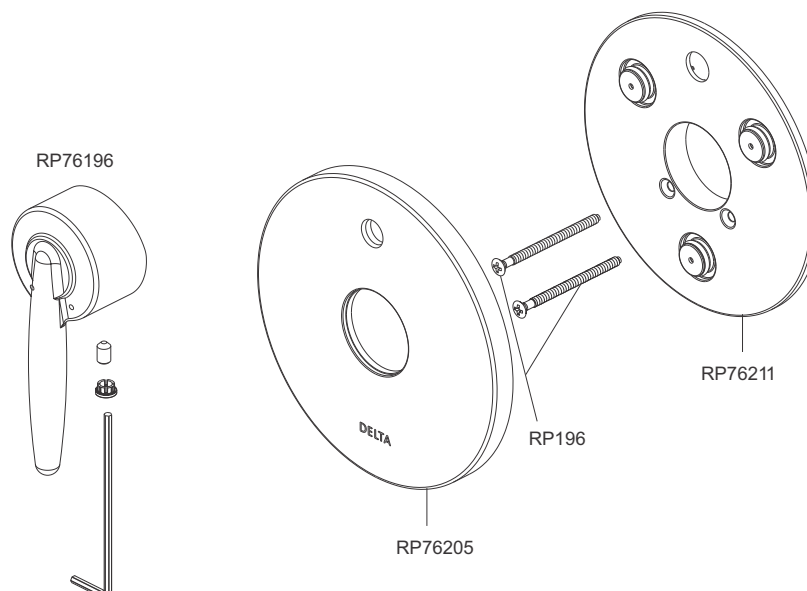
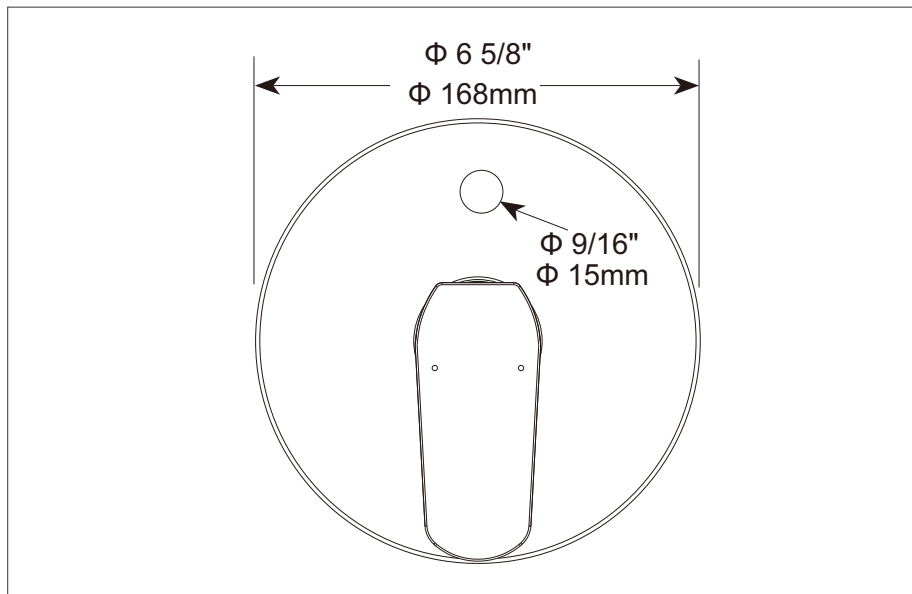
**25225**

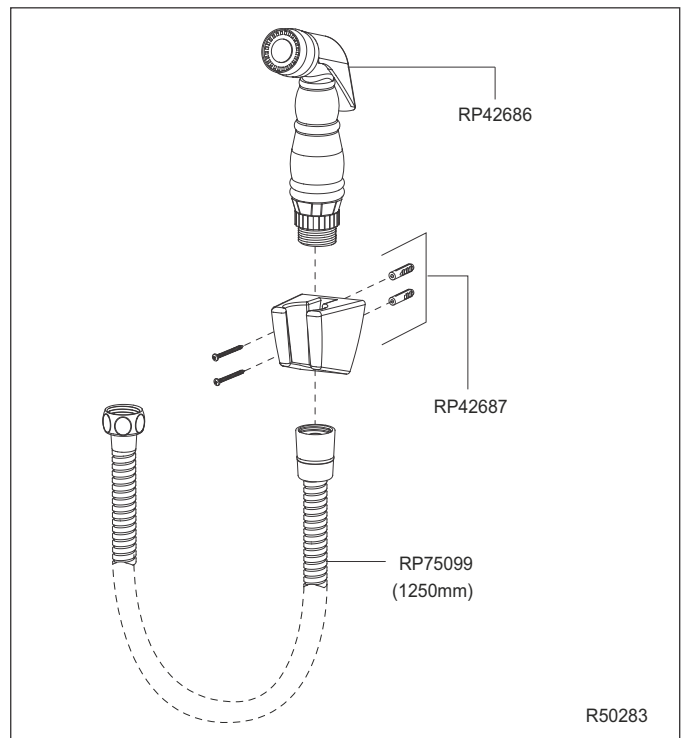
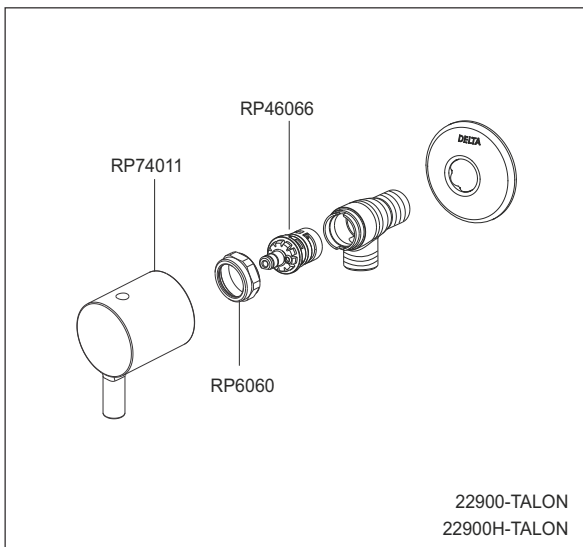
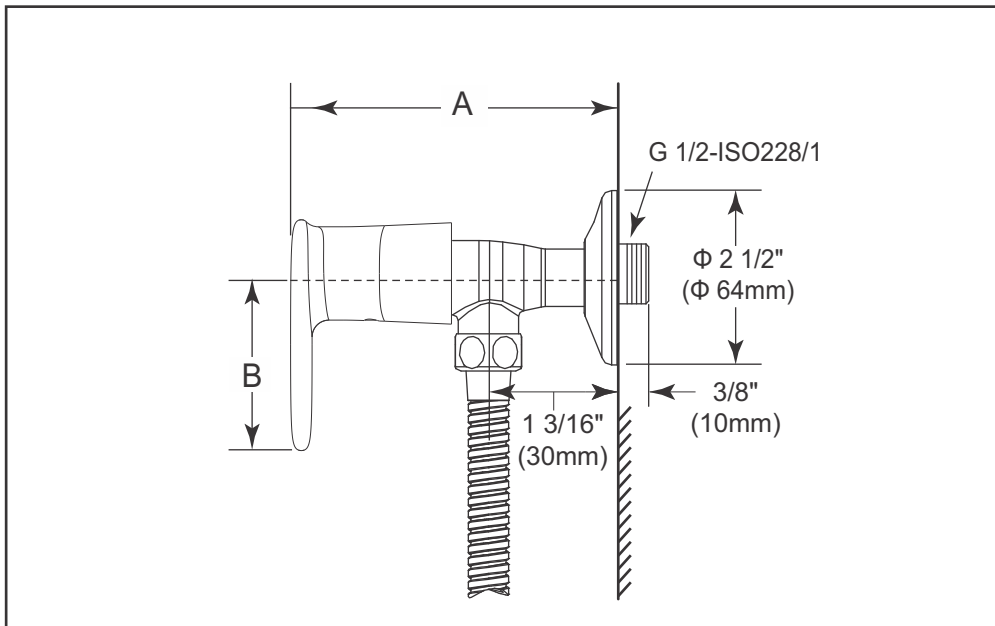
**Technical Specification Sheet**



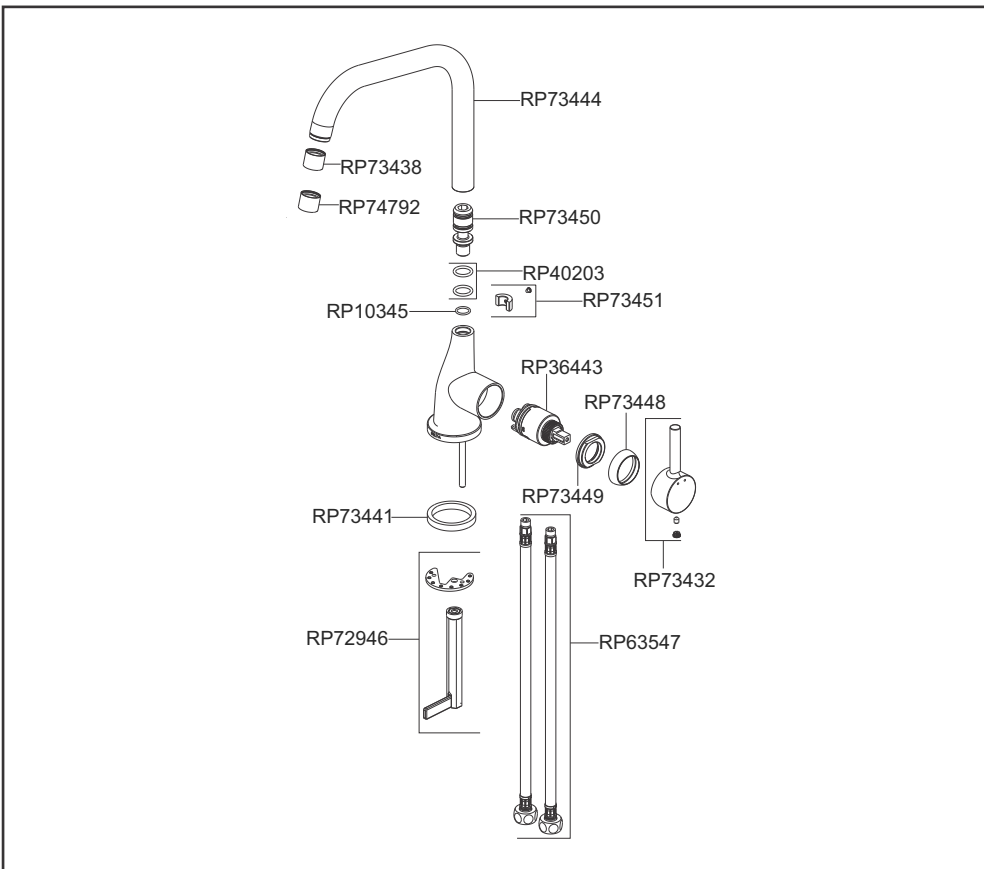
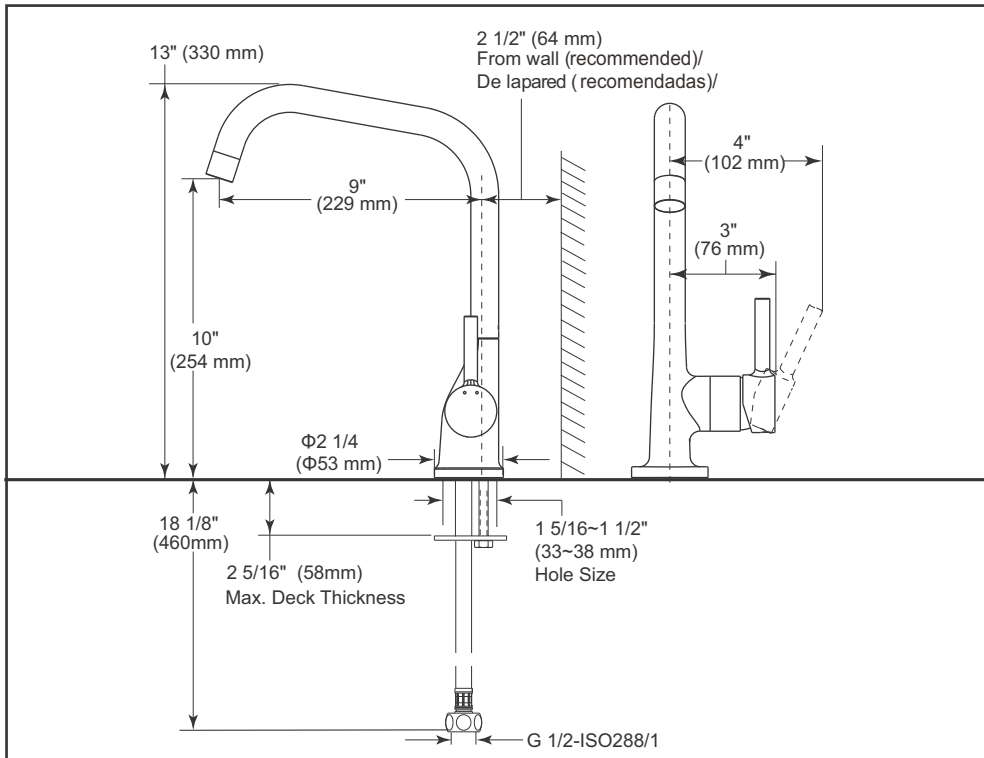
Technical Specification Sheet



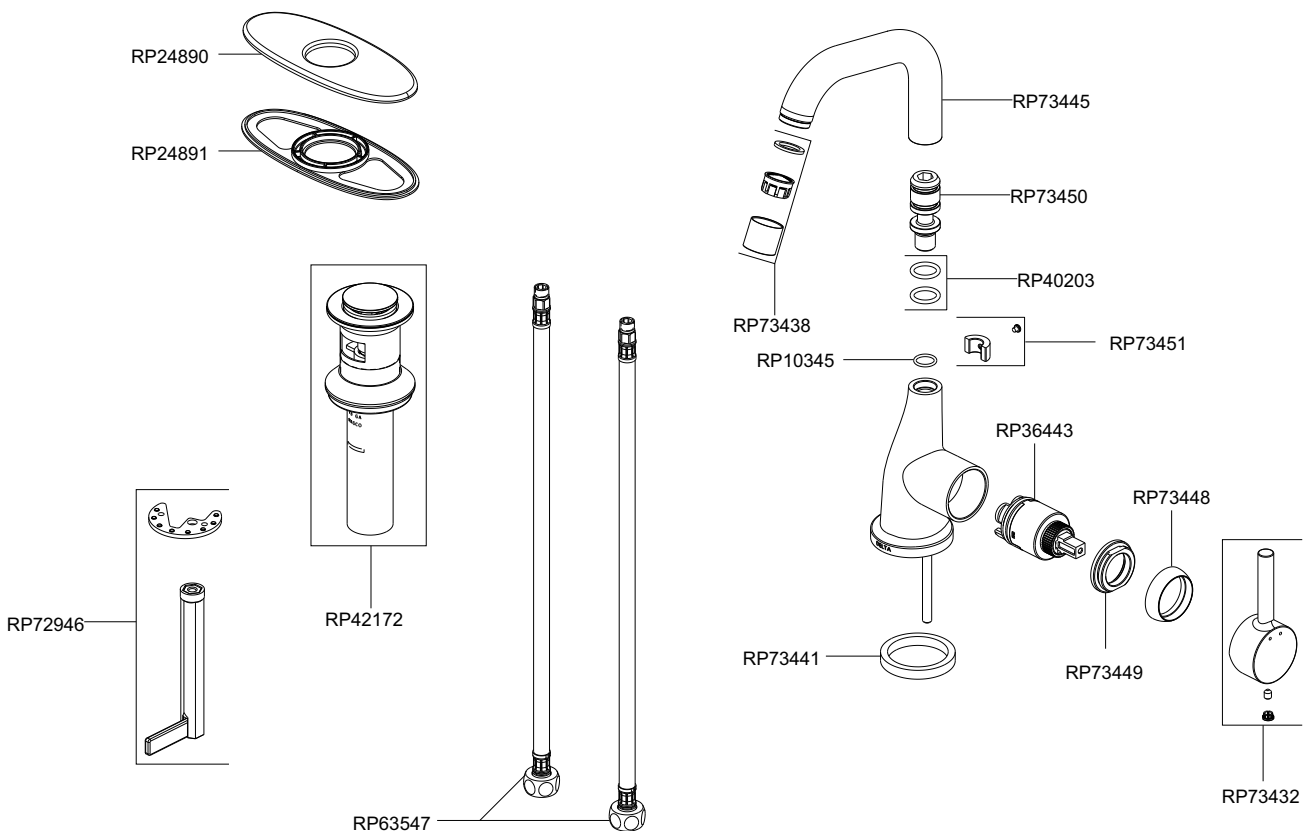
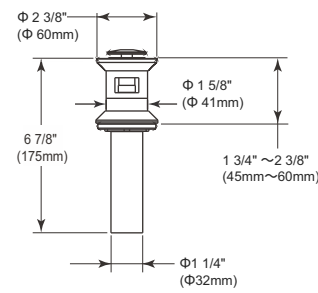
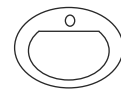
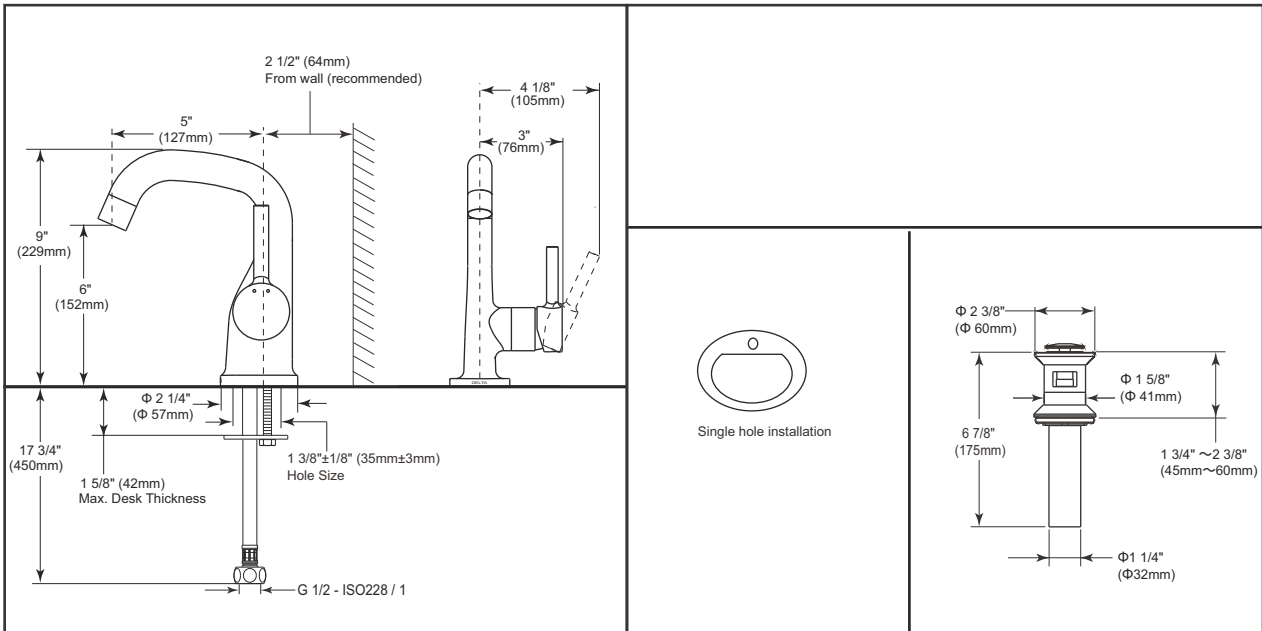
**Grail In-Wall Tub & Shower Trim with  
Push-Button Diverter****T853252-LA****Technical Specification Sheet**

**Technical Specification Sheet**


Technical Specification Sheet

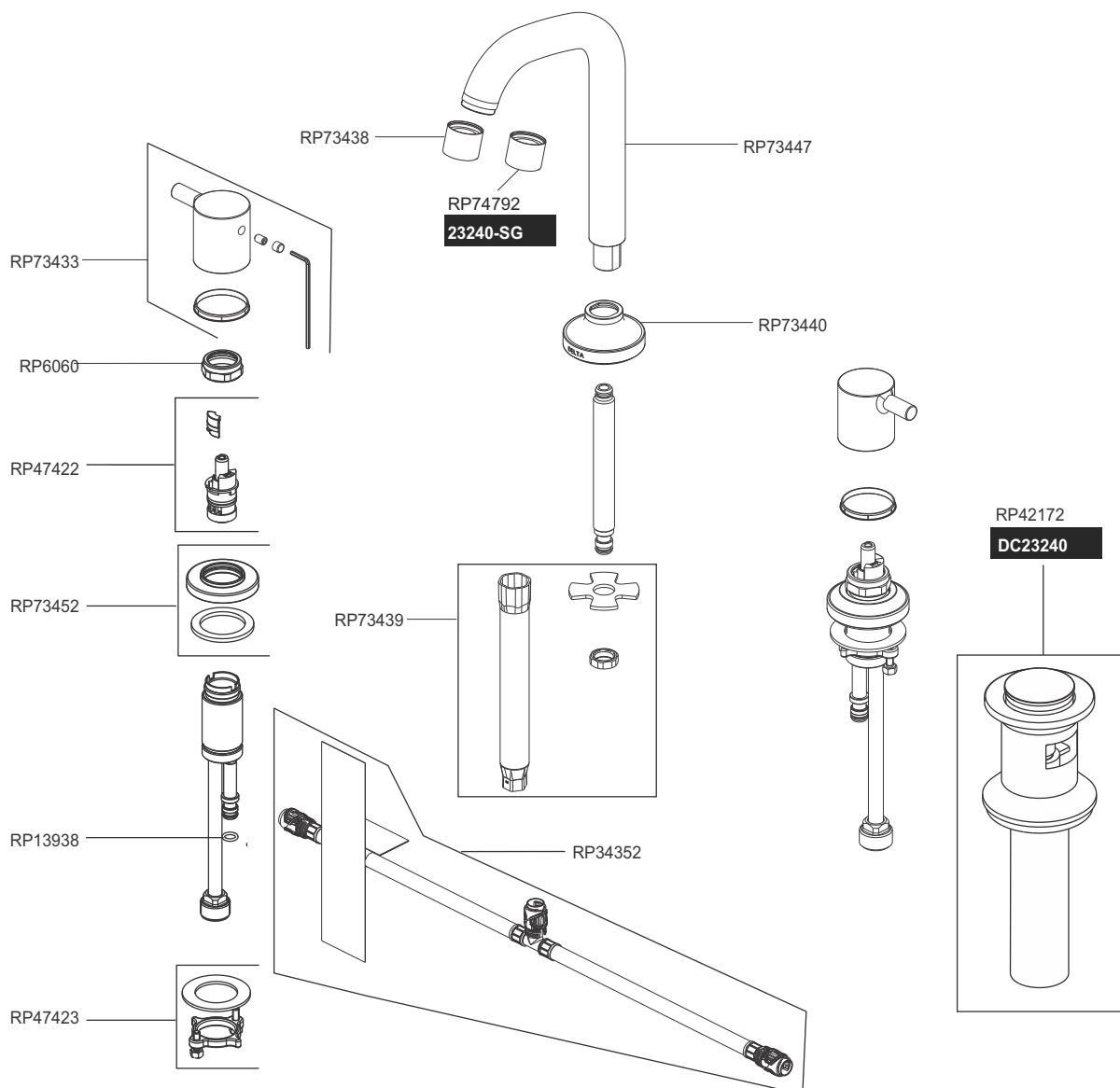
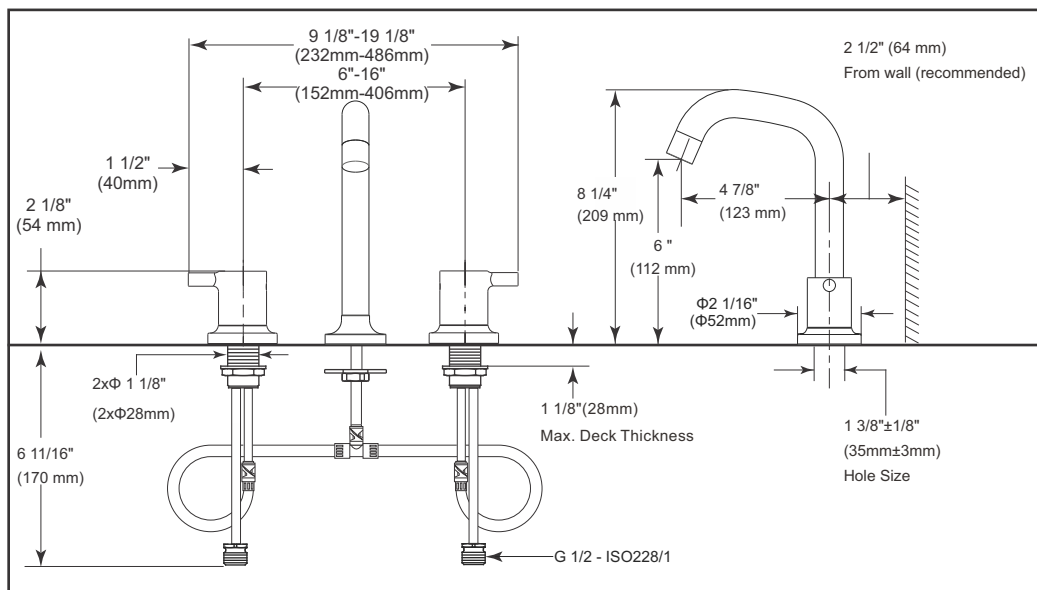


Technical Specification Sheet



Two Handle Deck mount Facuet with pop up technical and spare 23240

Technical Specification Sheet

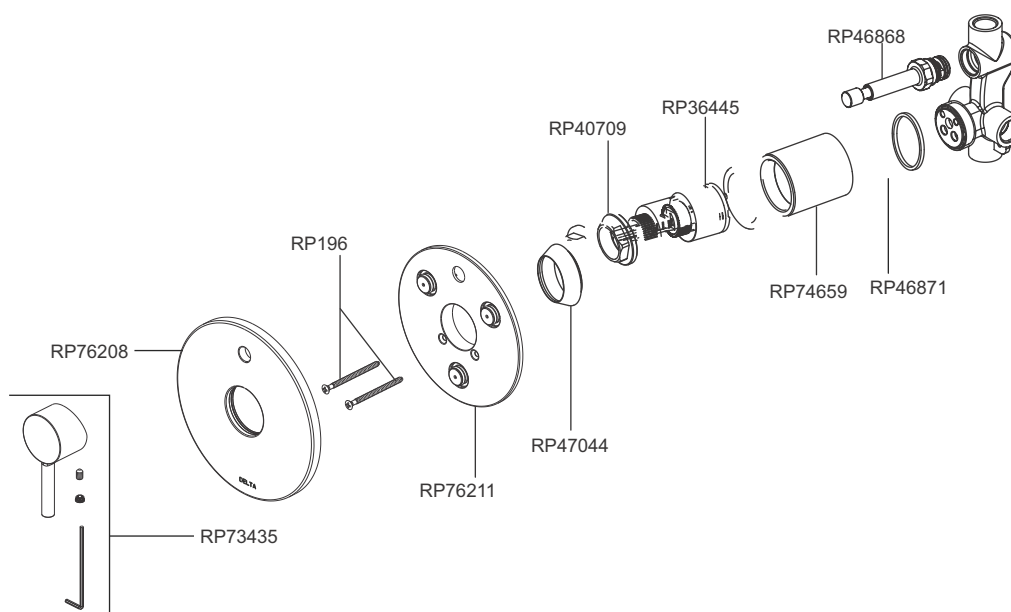
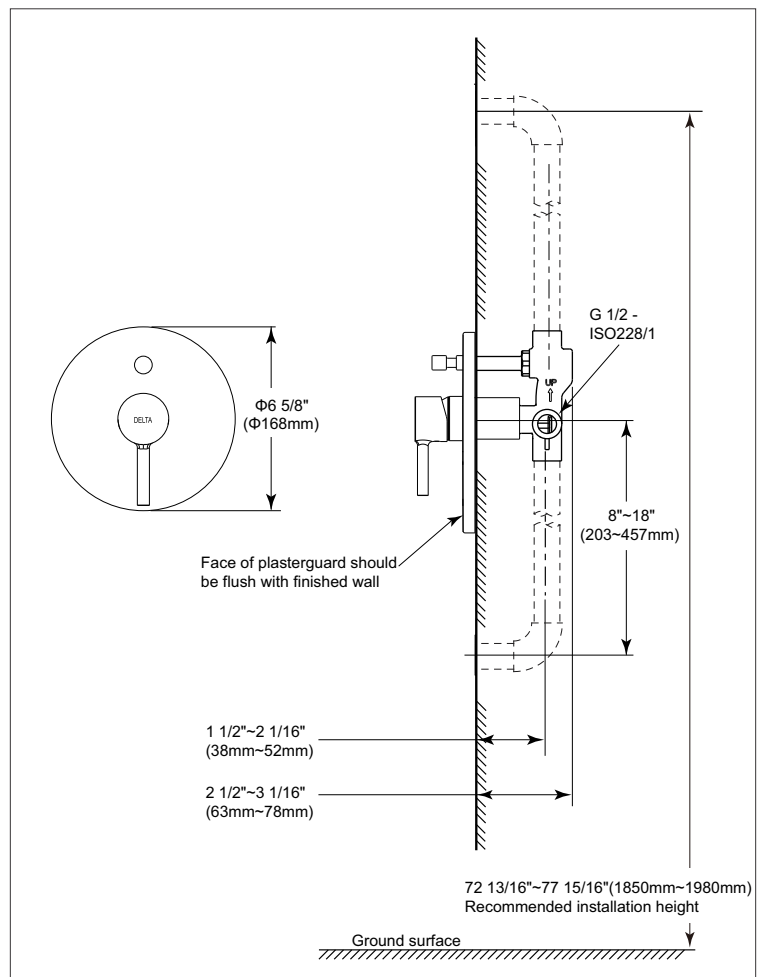




Talon In-Wall Tub & Shower Rough & Trim  
Bundled with Diverter

23285-VO

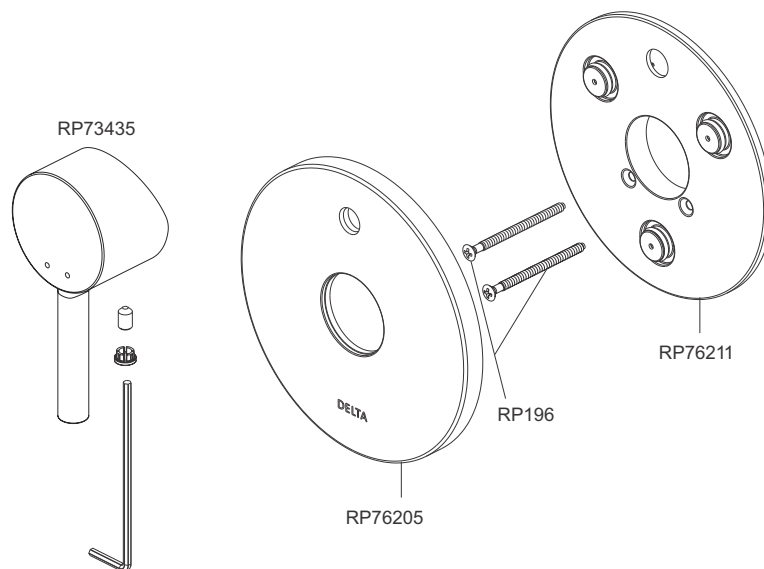
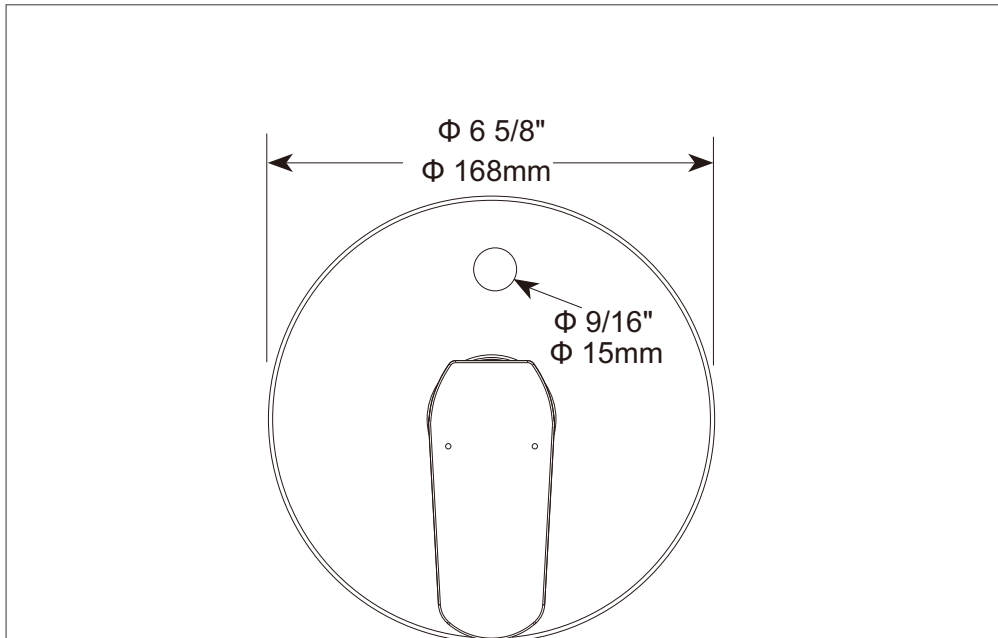
Technical  
Specification  
Sheet



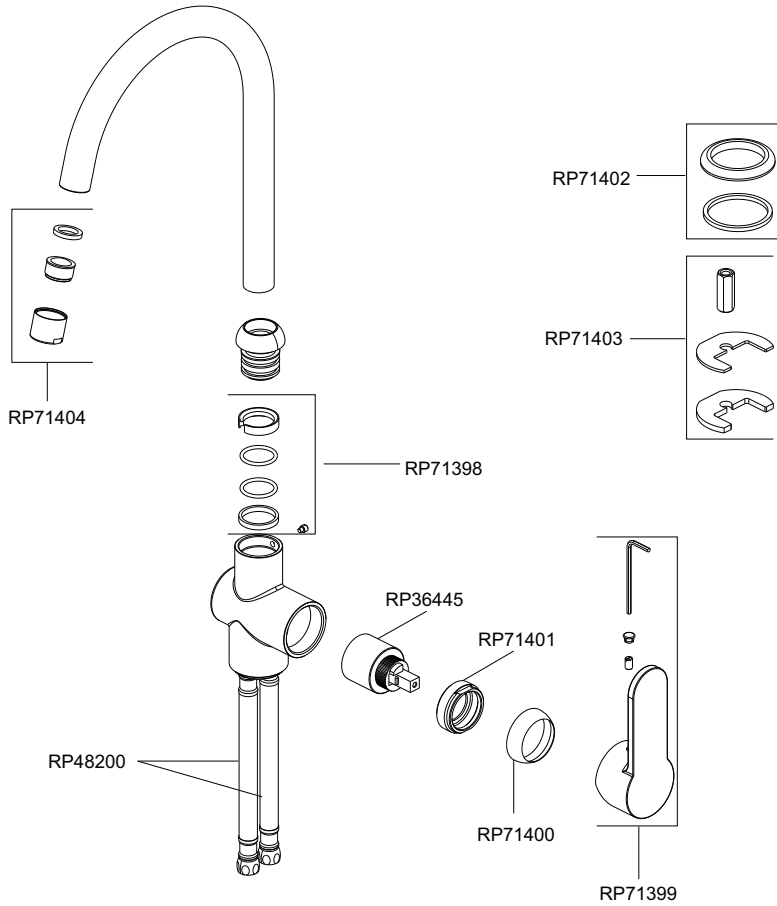
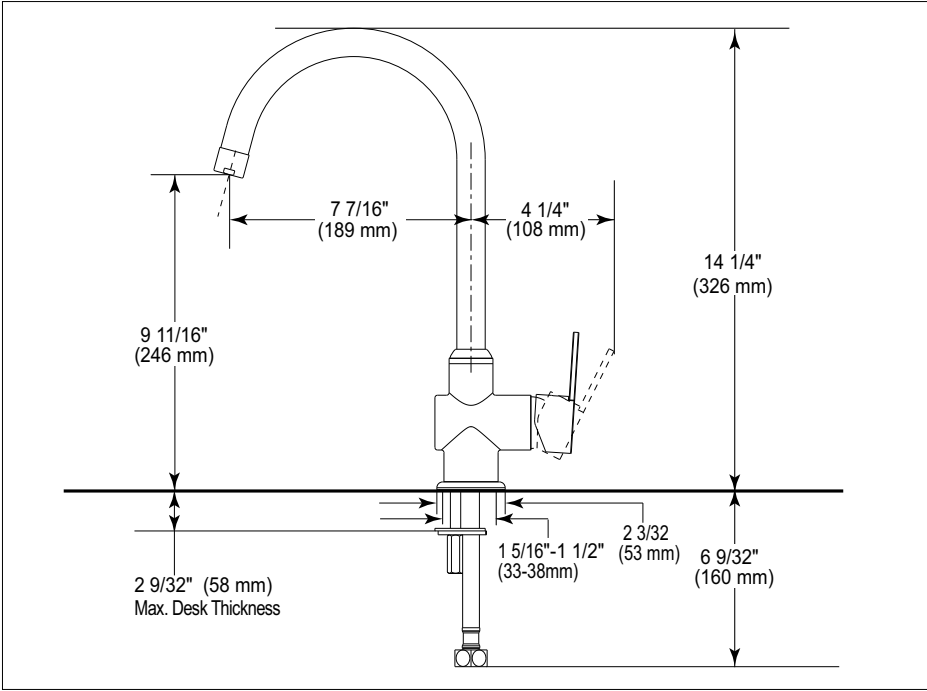
Talón In-Wall Tub & Shower Trim with Push-Button  
Diverter

T853232

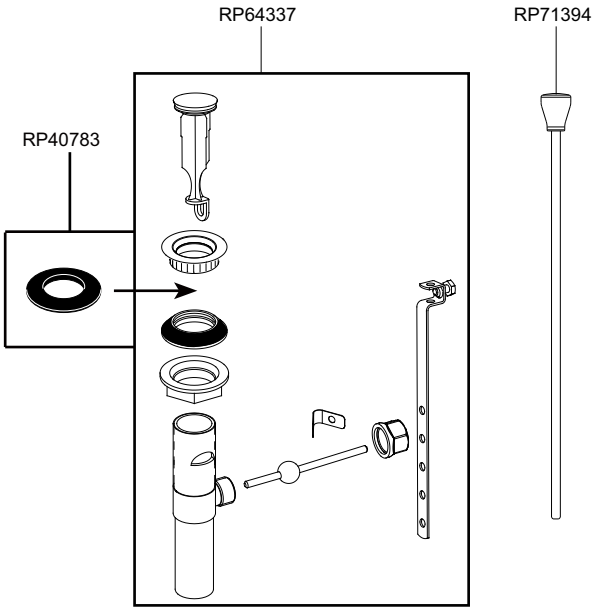
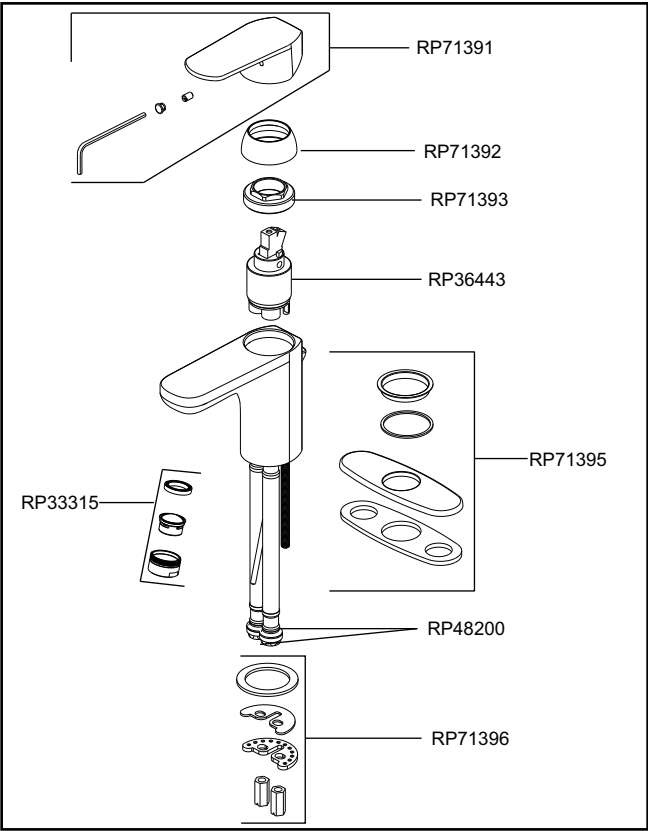
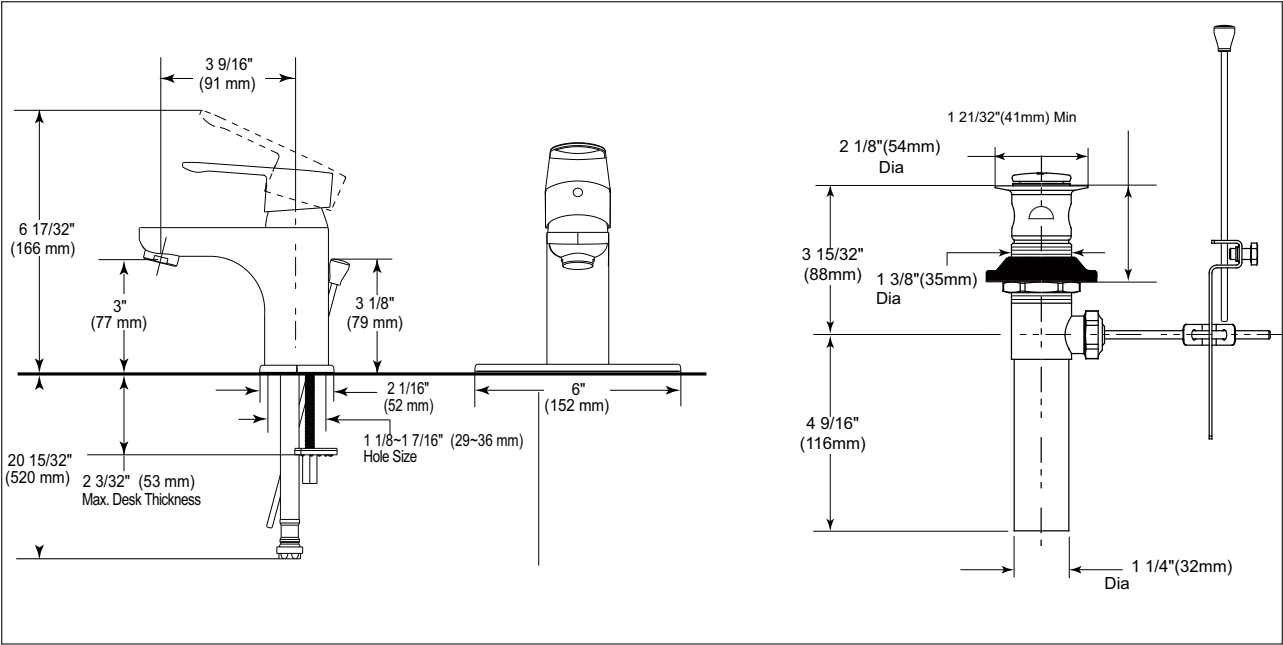
## Technical Specification Sheet



Technical Specification Sheet



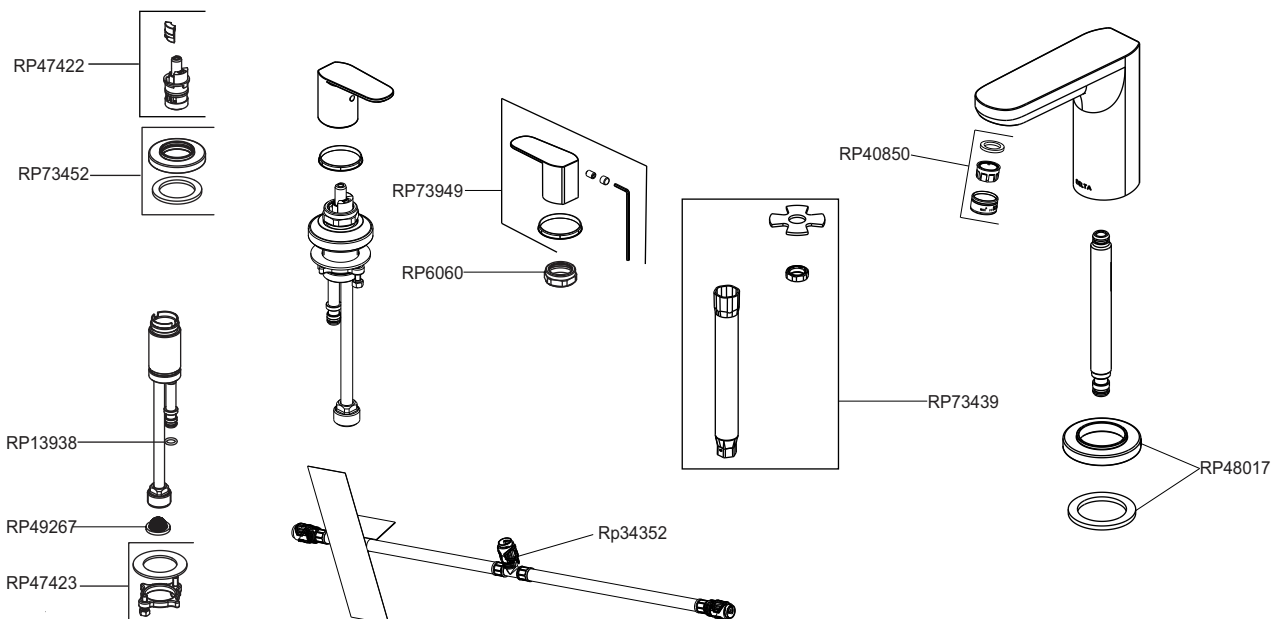
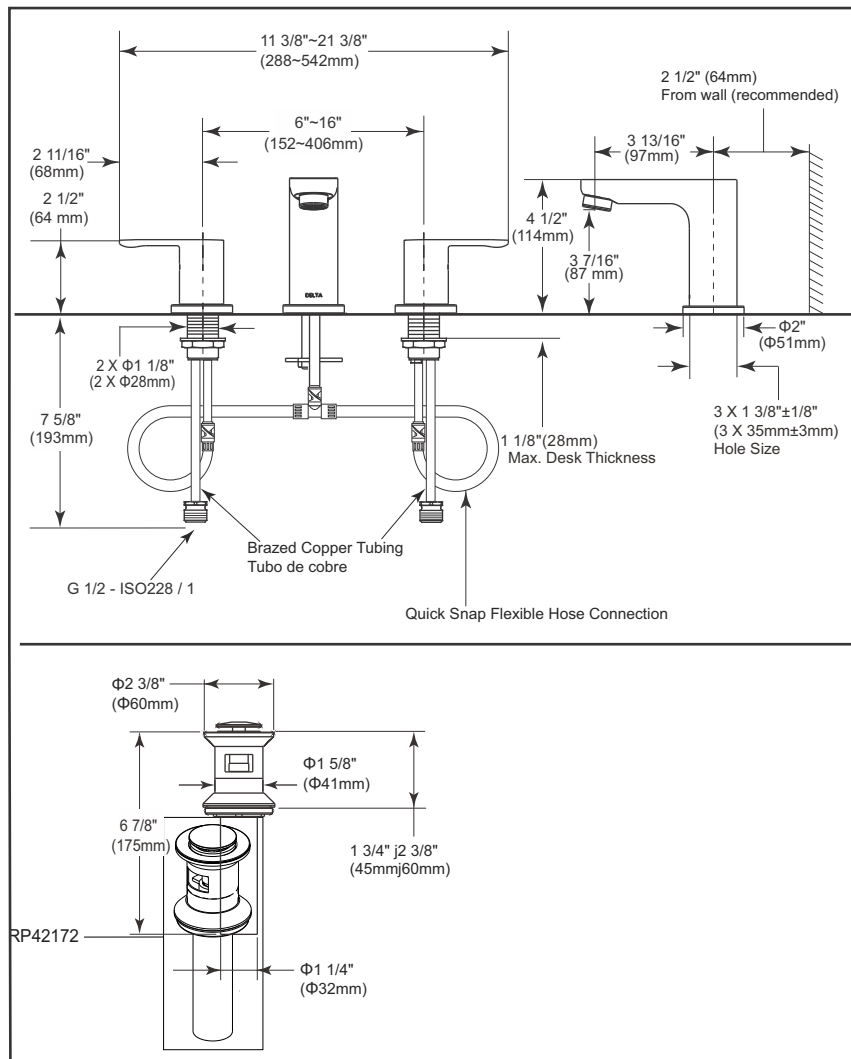
Technical Specification Sheet



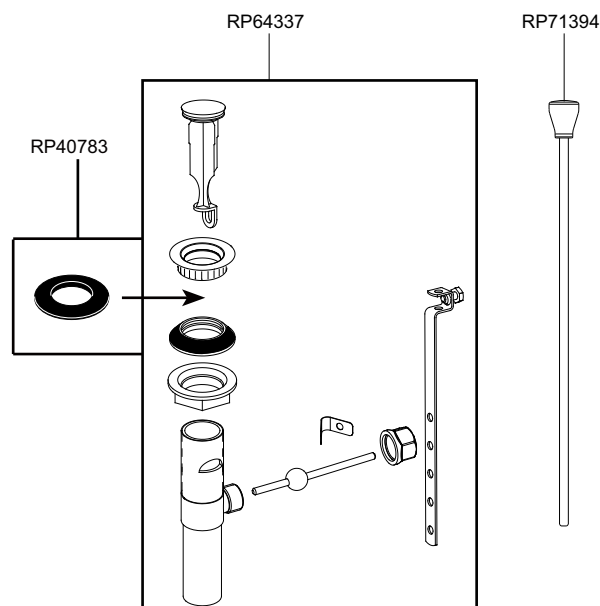
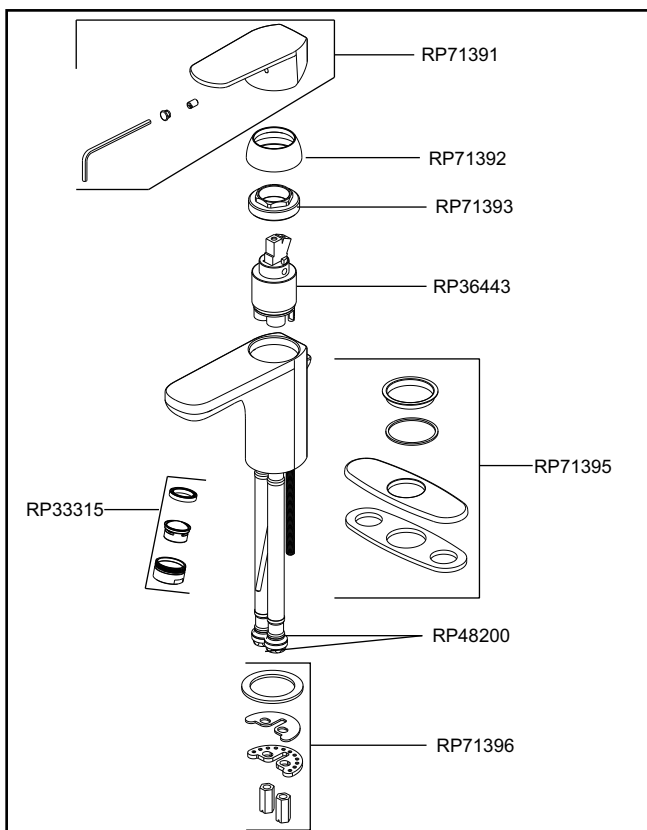
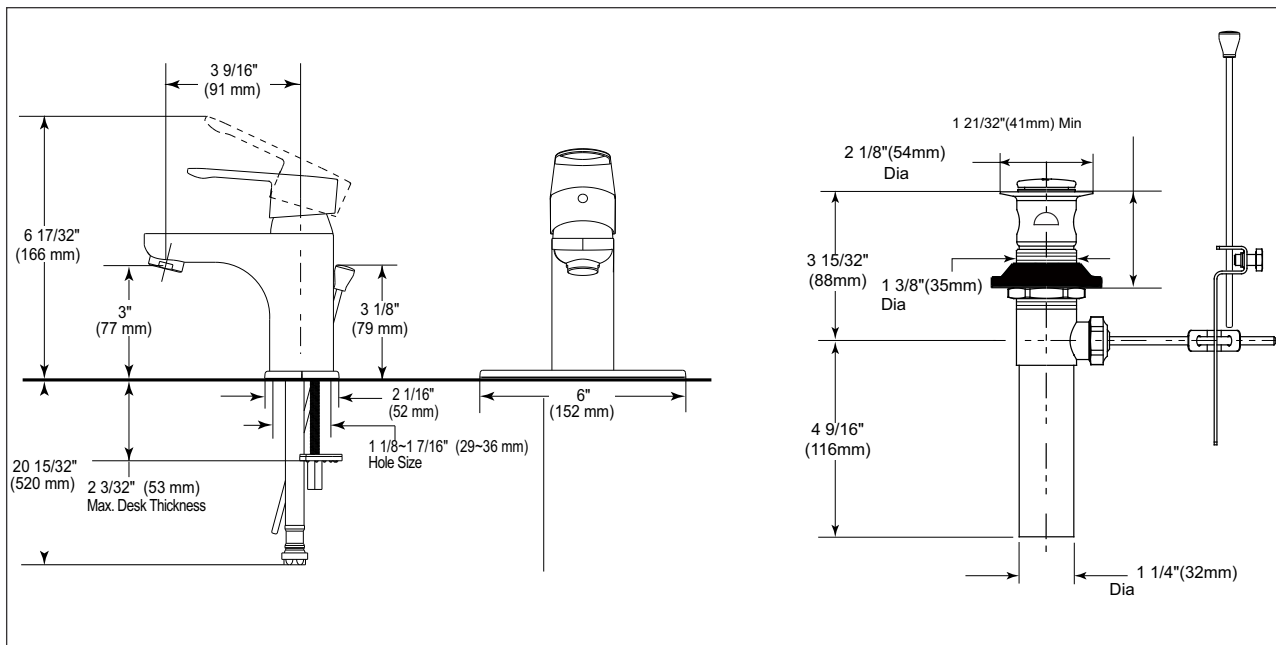
Elemetro 2-Handle Deck Mount Lav Faucet

23040

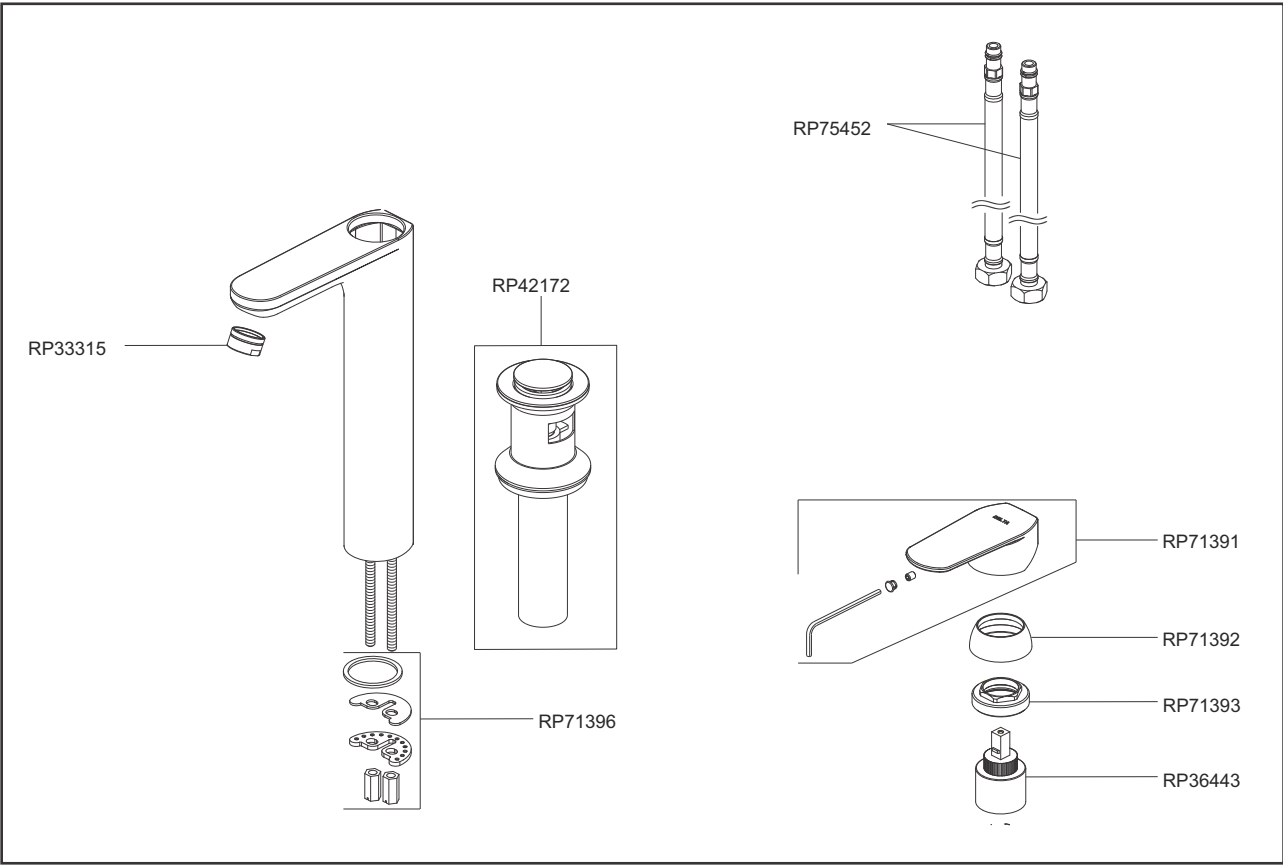
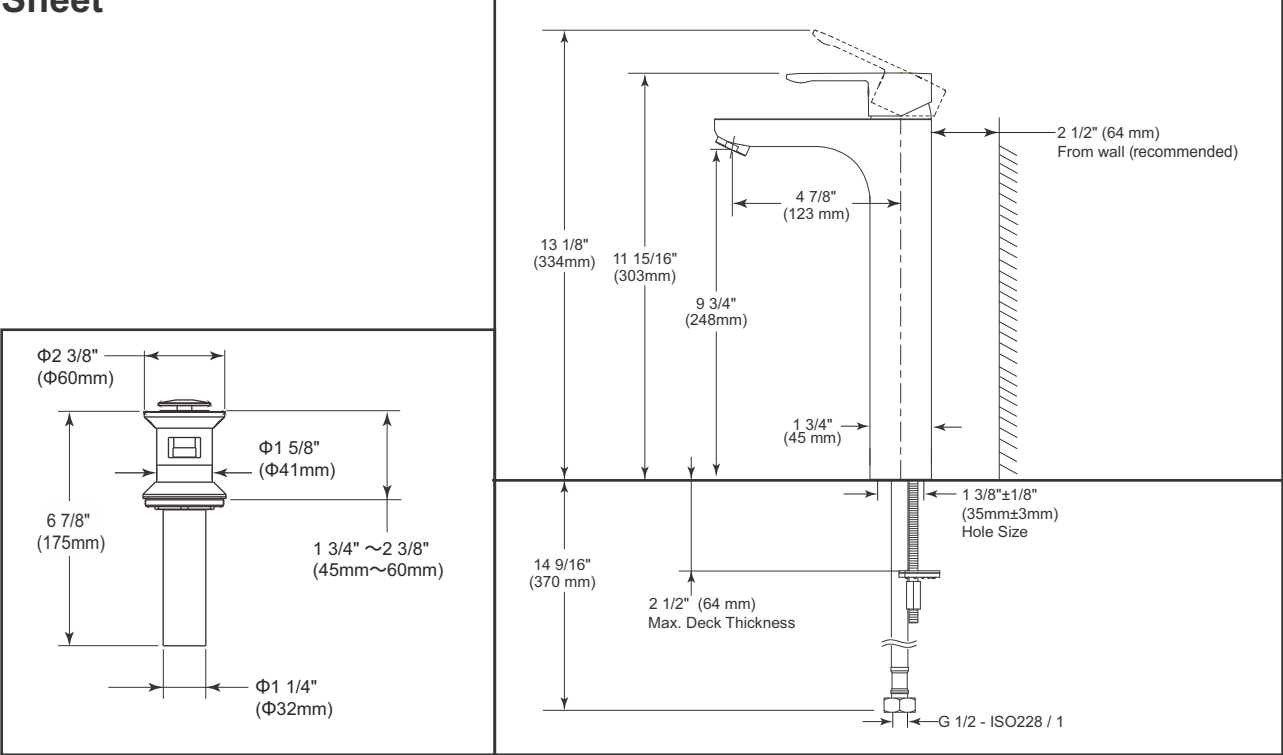
Technical Specification Sheet



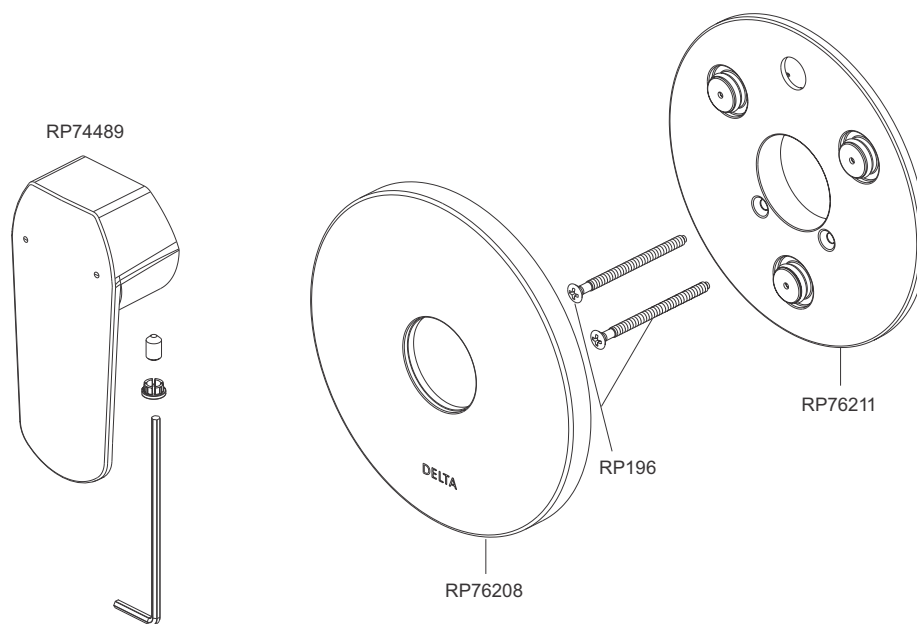
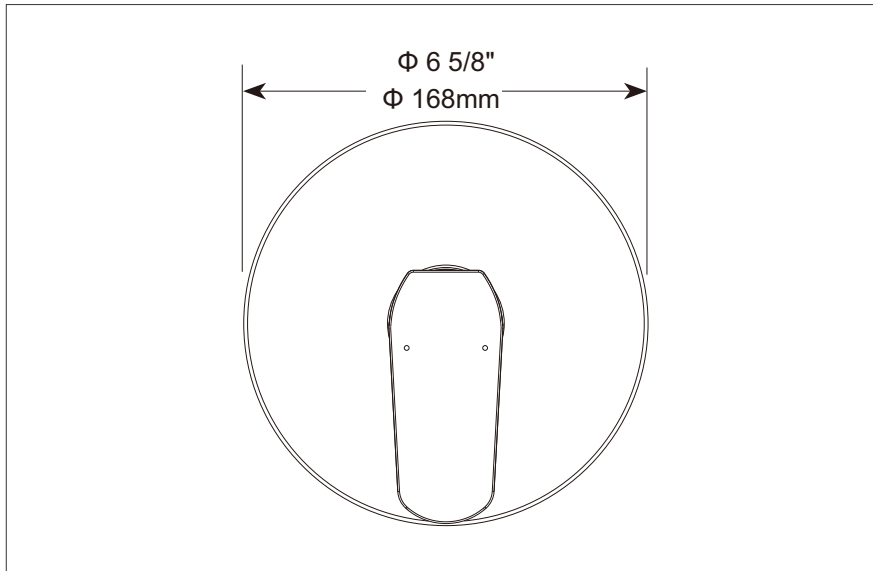
Technical Specification Sheet



Technical Specification Sheet

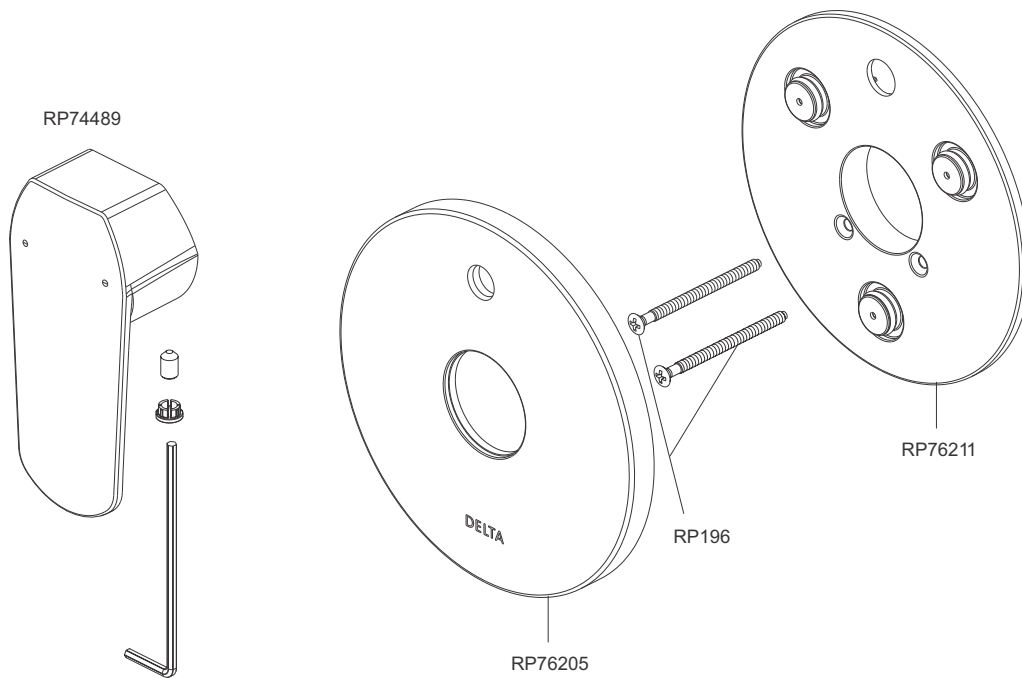
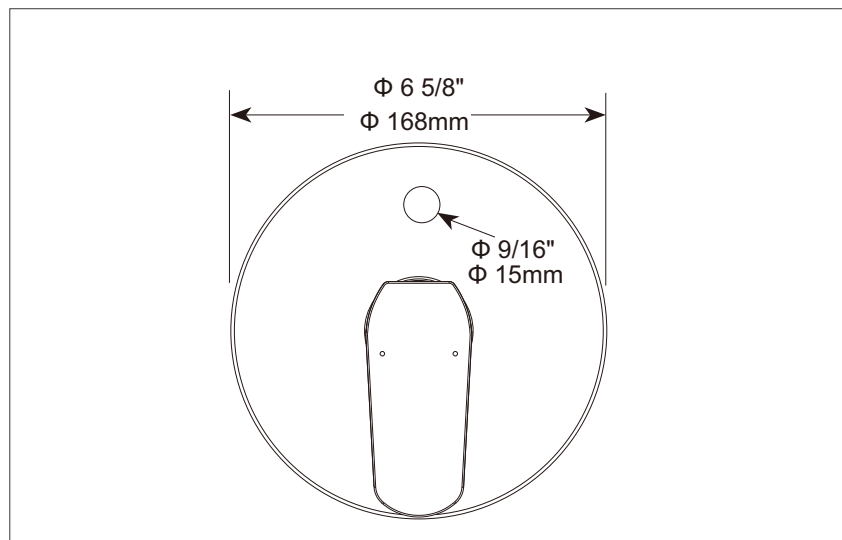


## Technical Specification Sheet

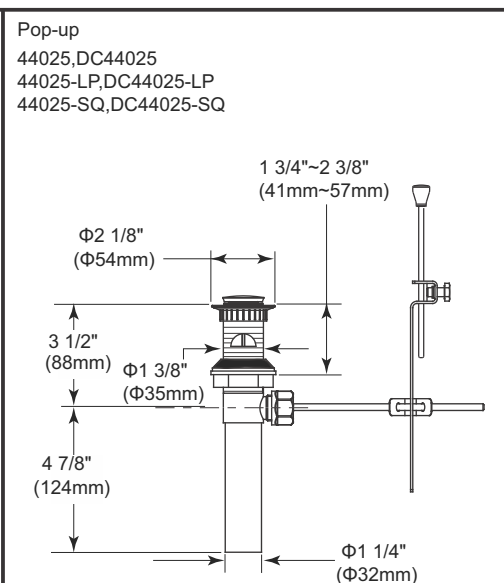
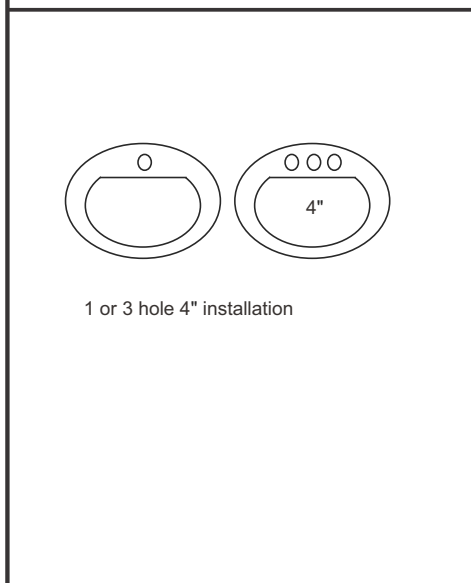
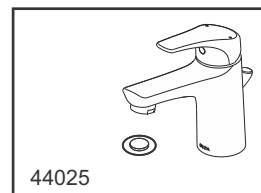
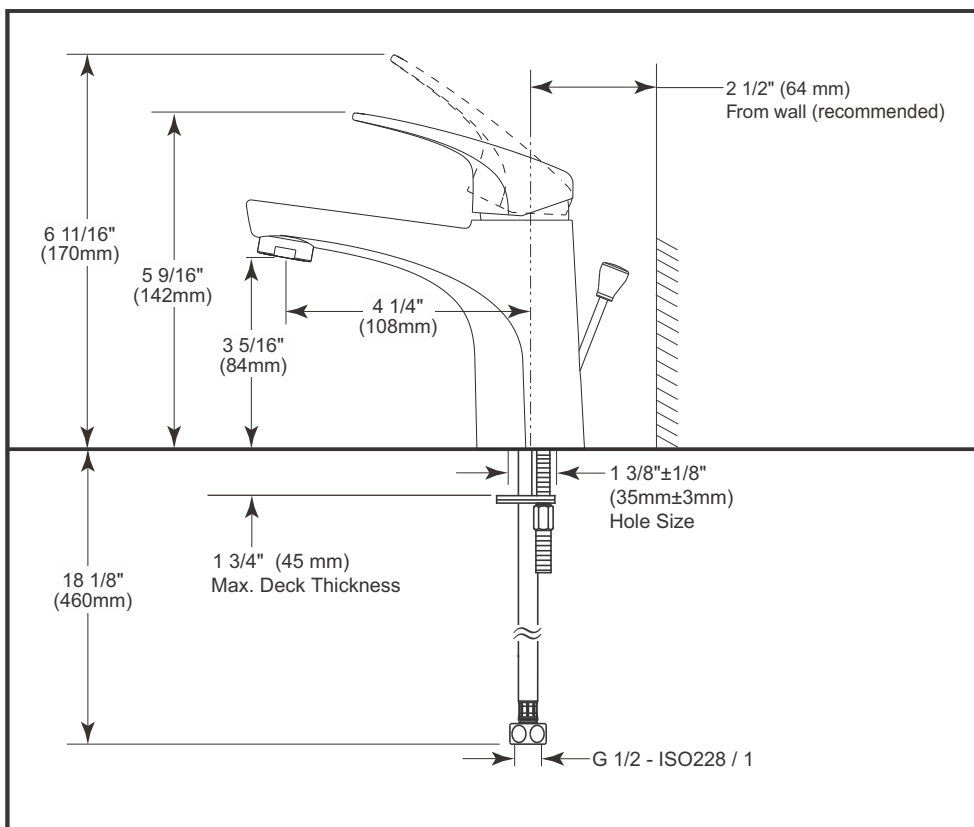


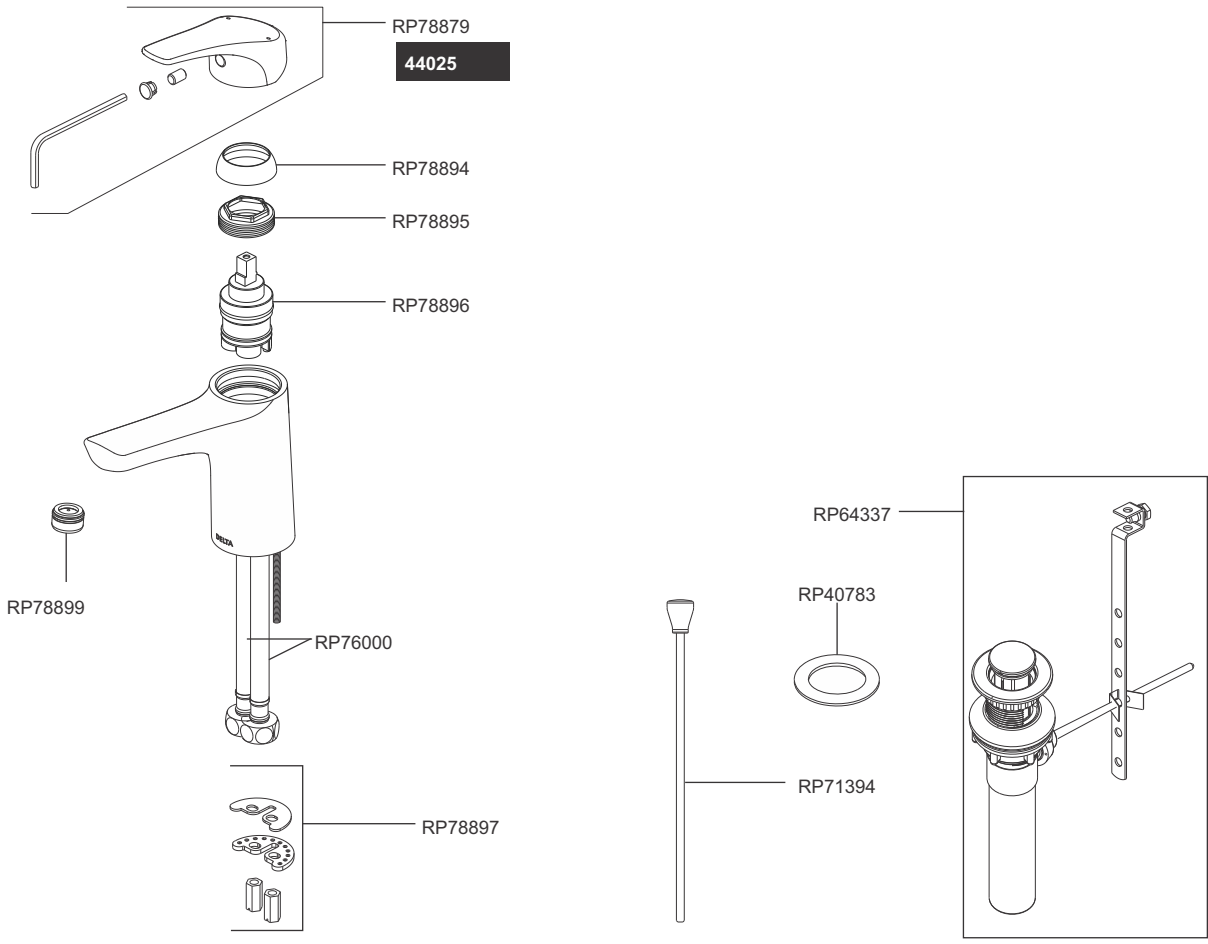


## Technical Specification Sheet

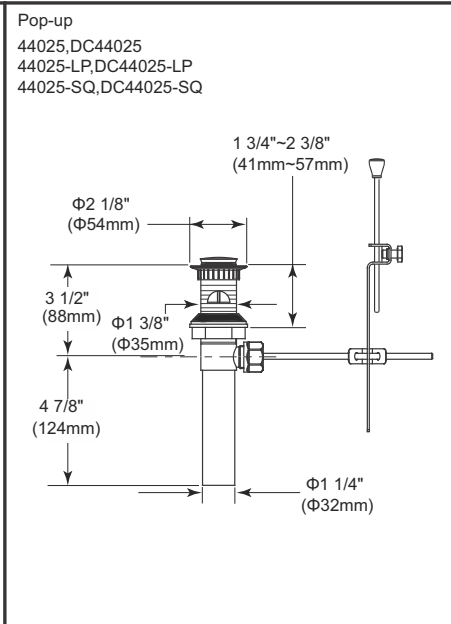
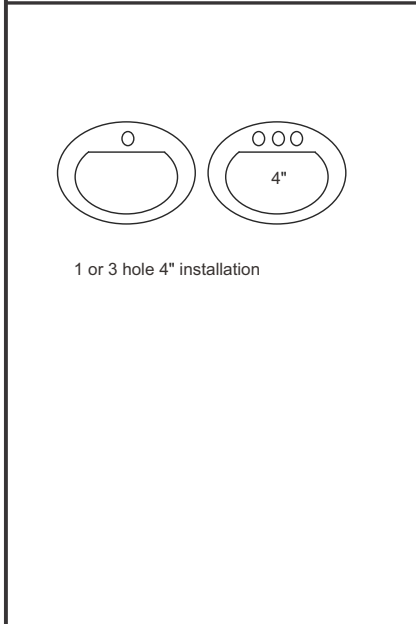
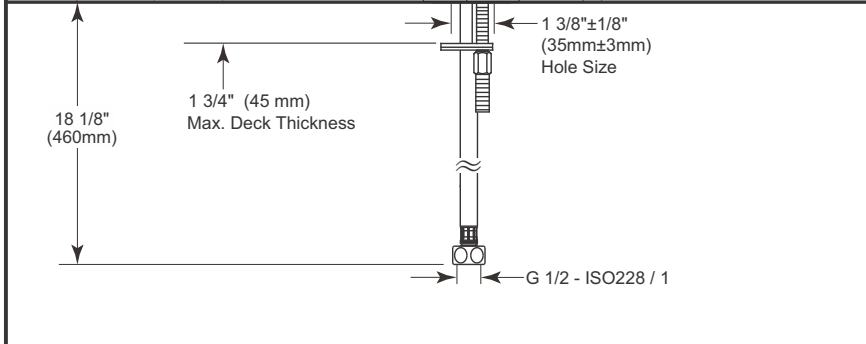
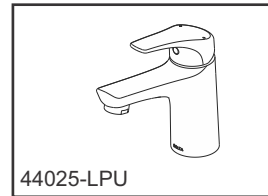
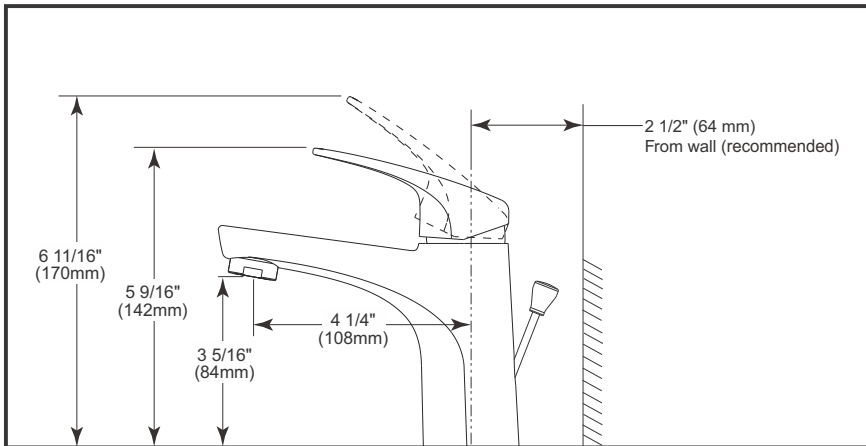


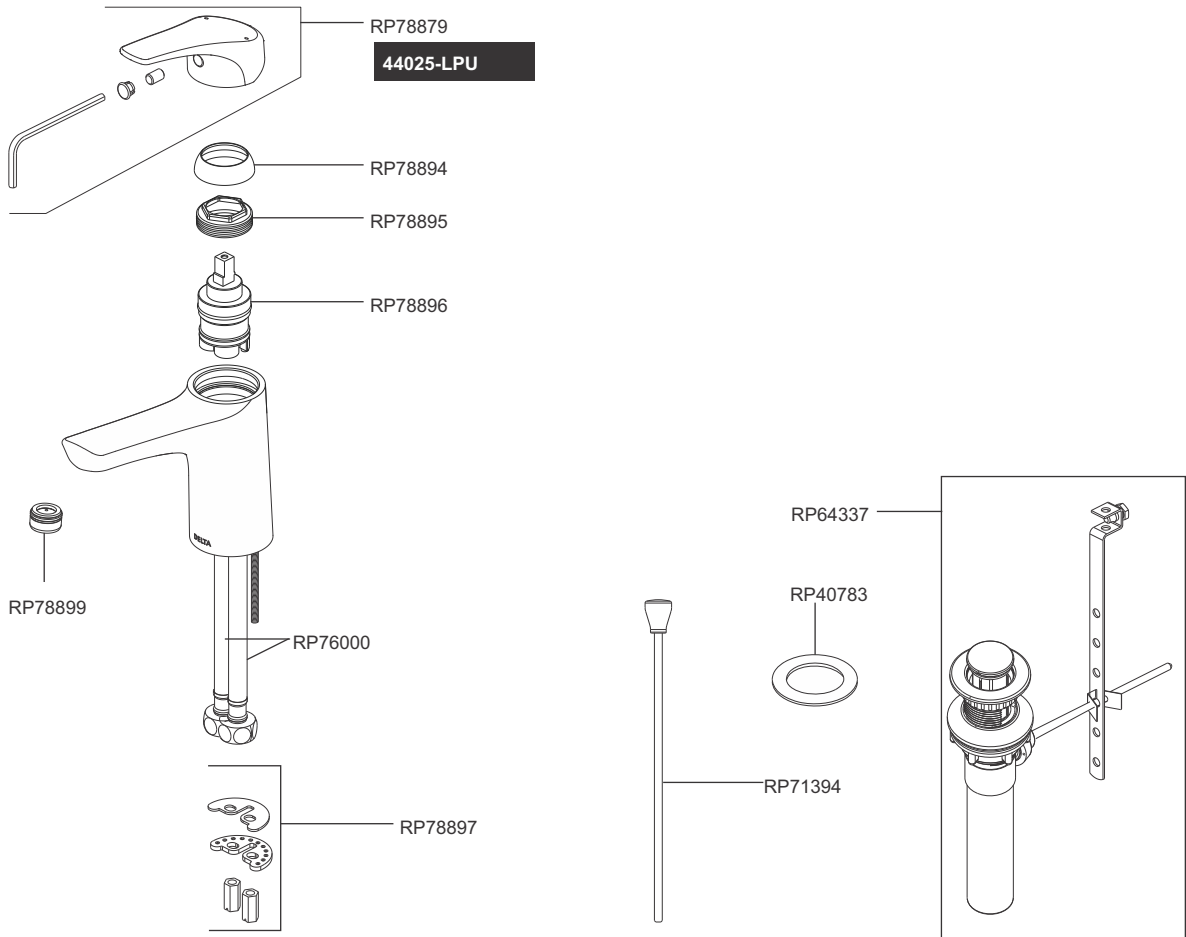
Technical Specification Sheet



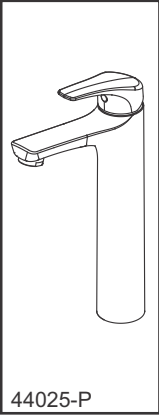
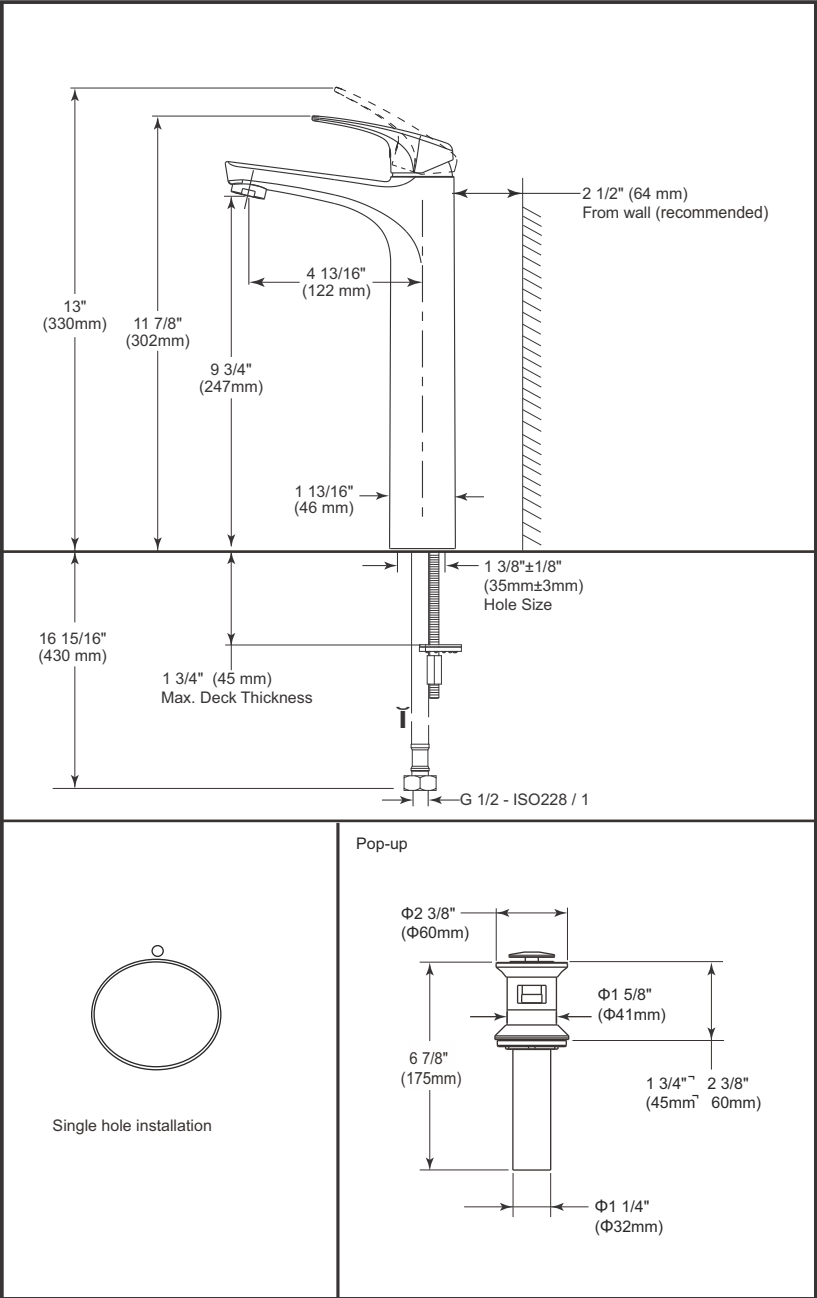


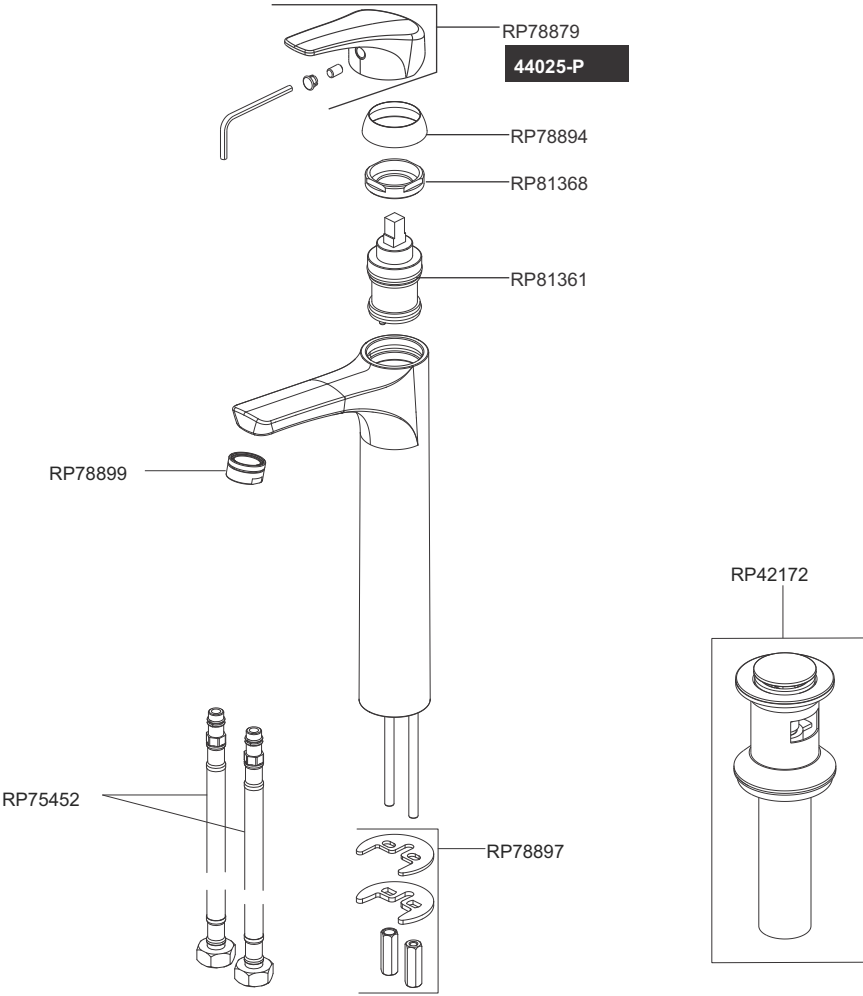
Technical Specification Sheet

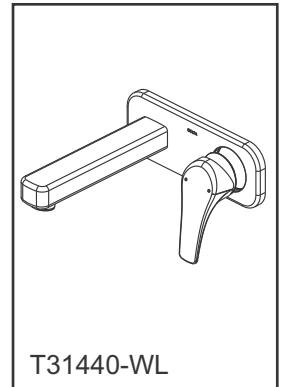
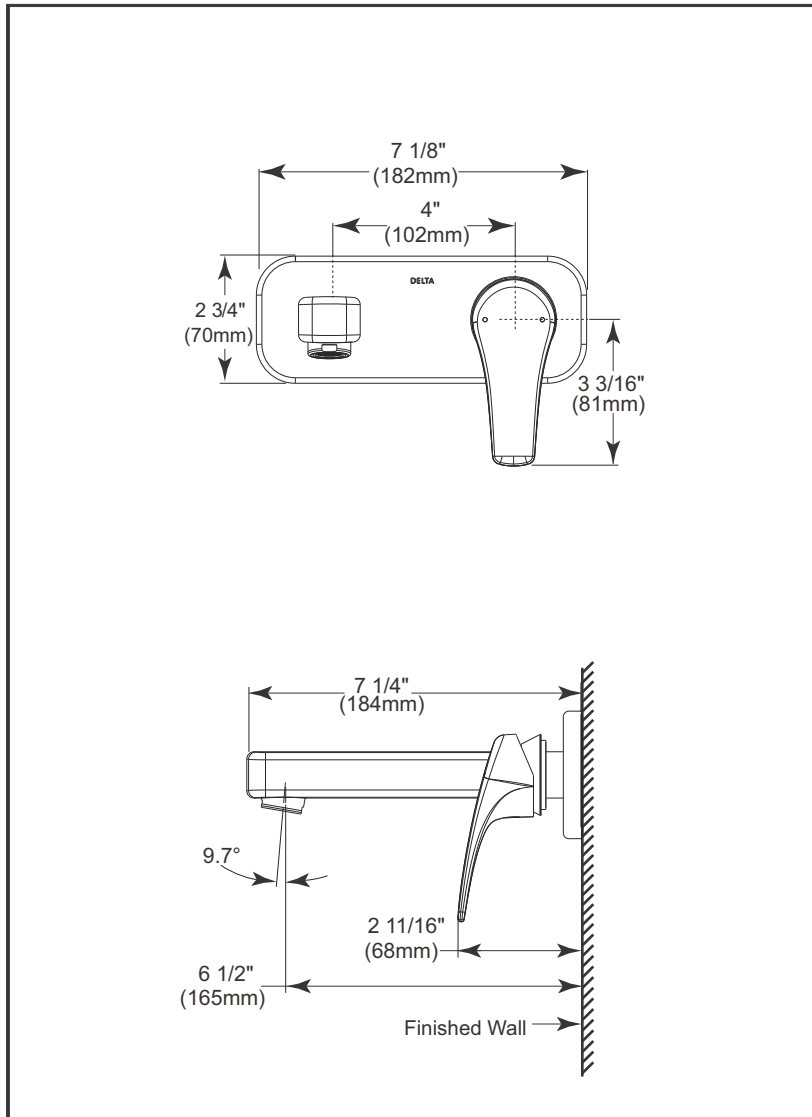


**Ixa Soft Single Handle Lav Faucet less Pop Up**
**44025-LPU**


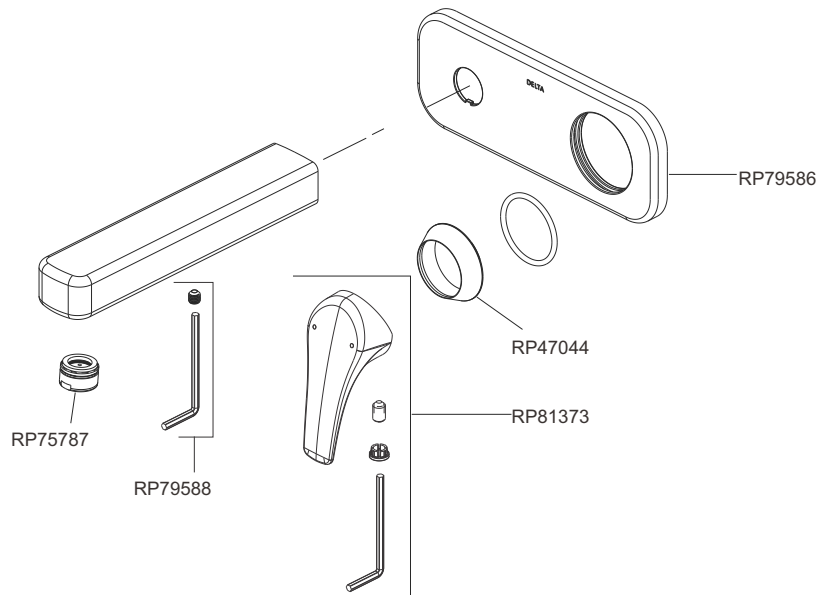
Technical Specification Sheet



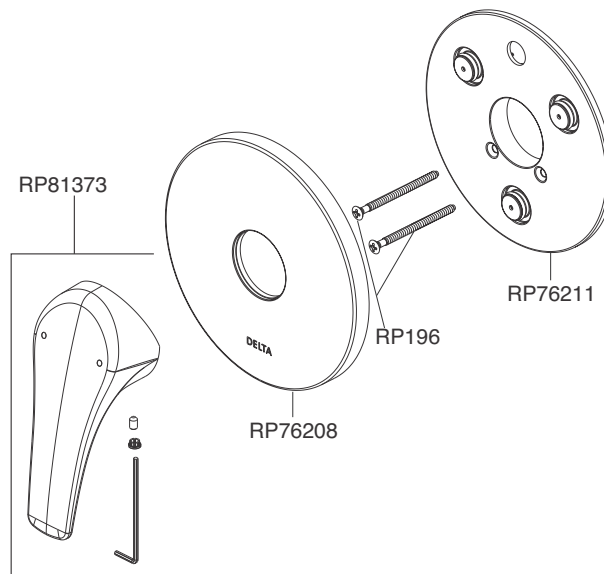
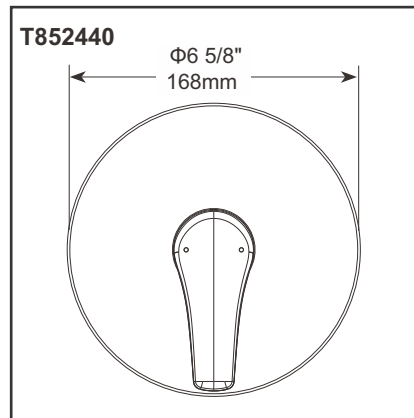


**Technical Specification Sheet**


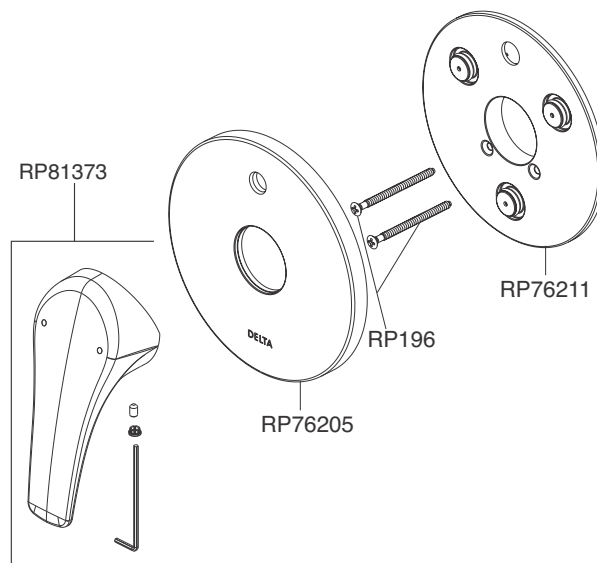
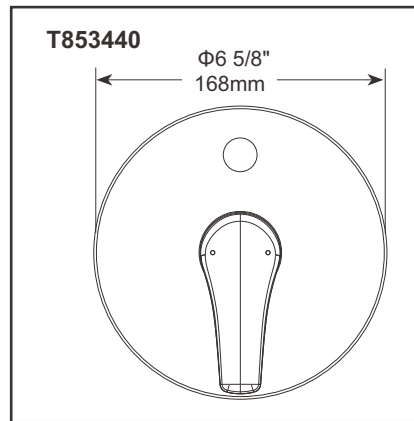




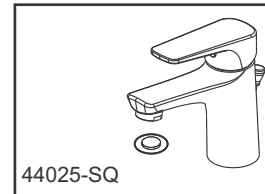
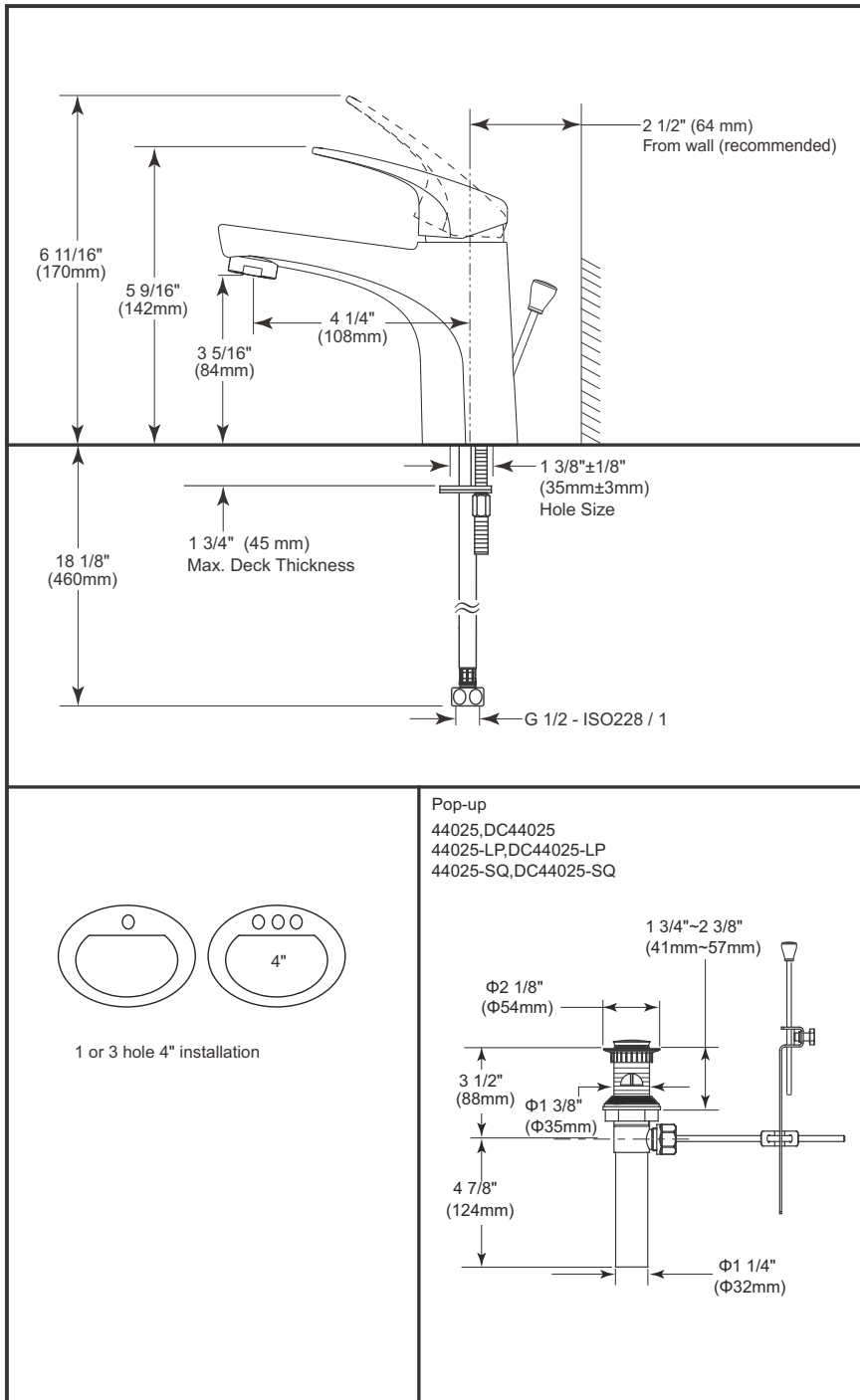
## Technical Specification Sheet

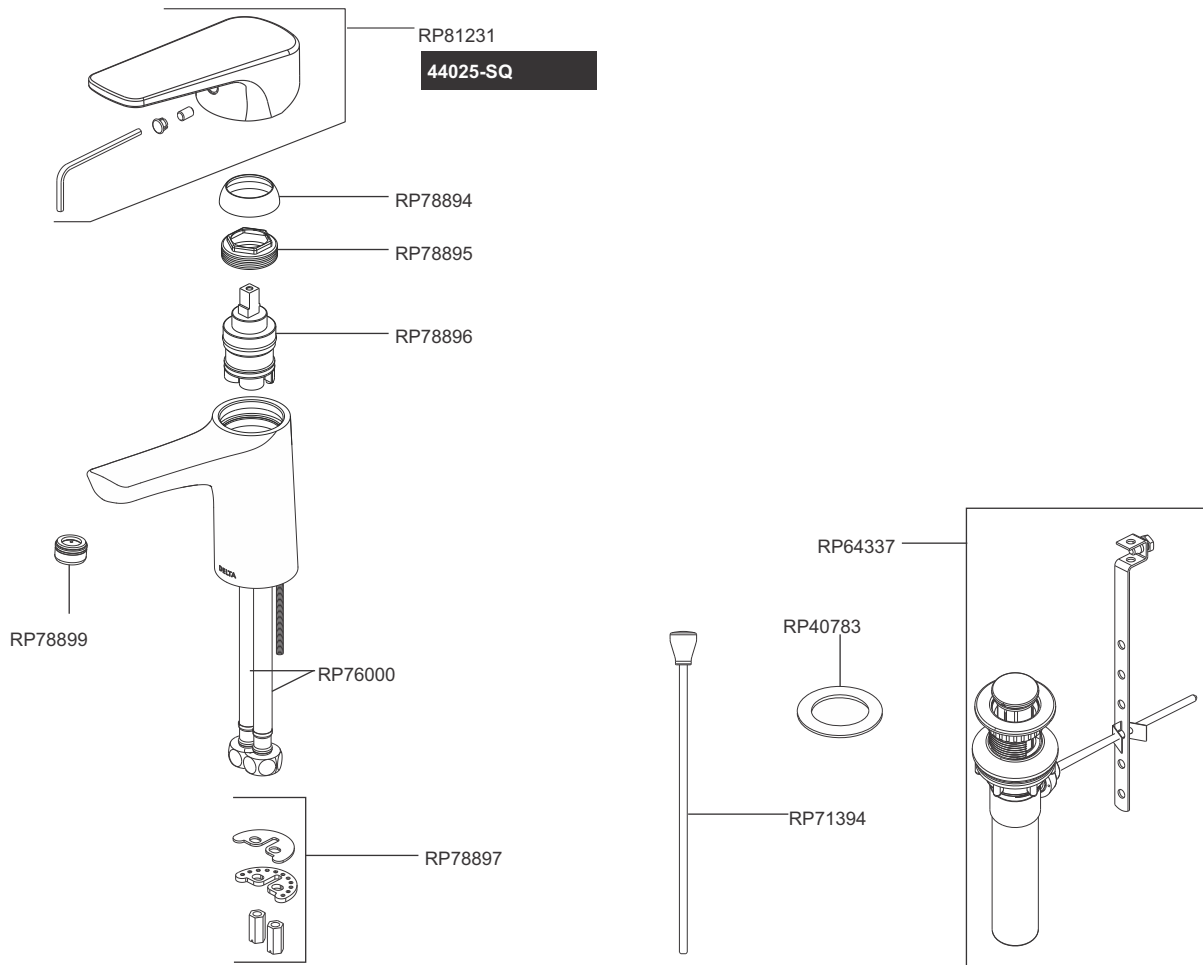


## Technical Specification Sheet

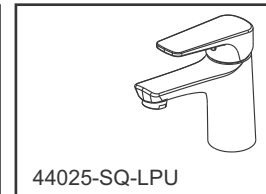
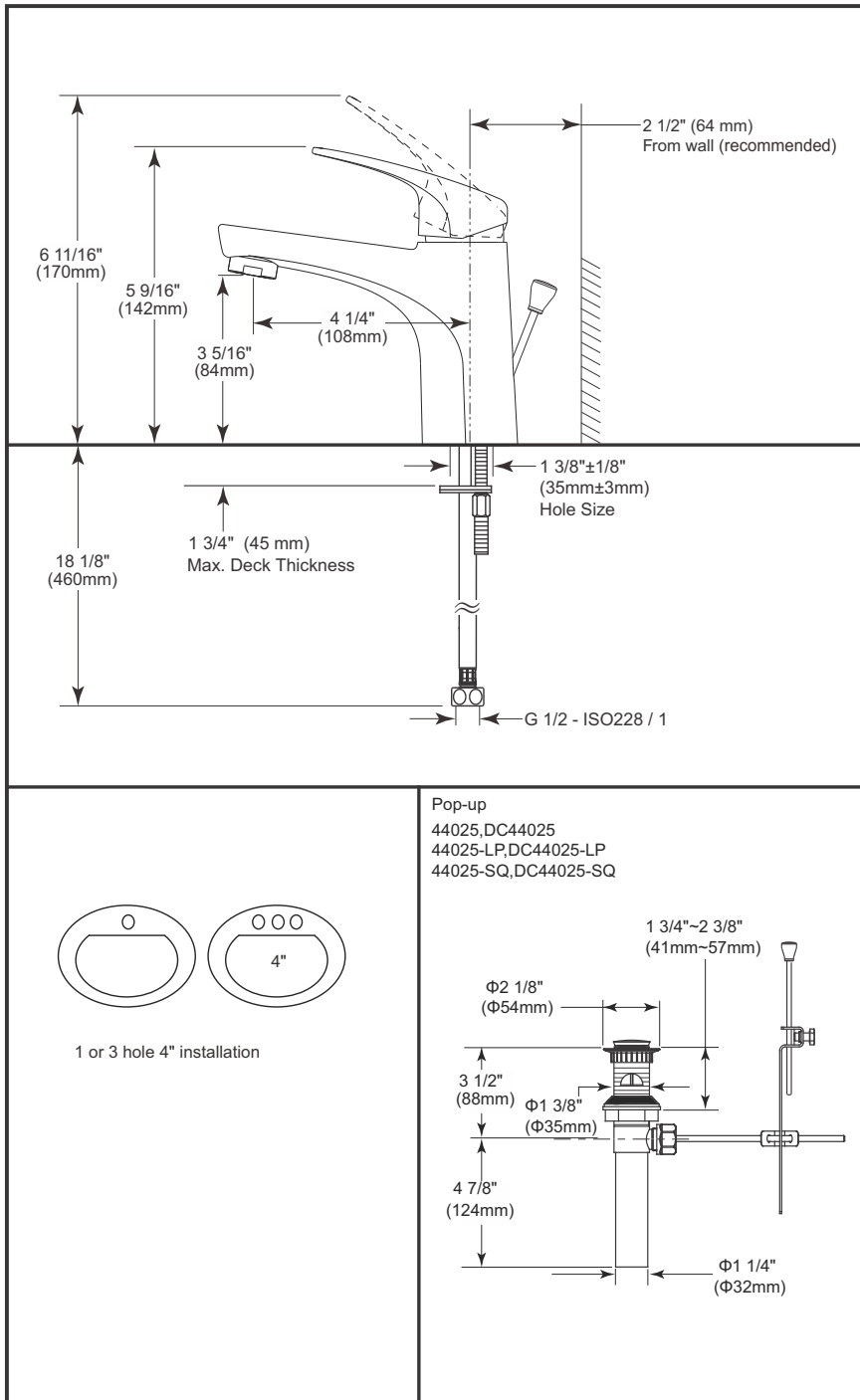


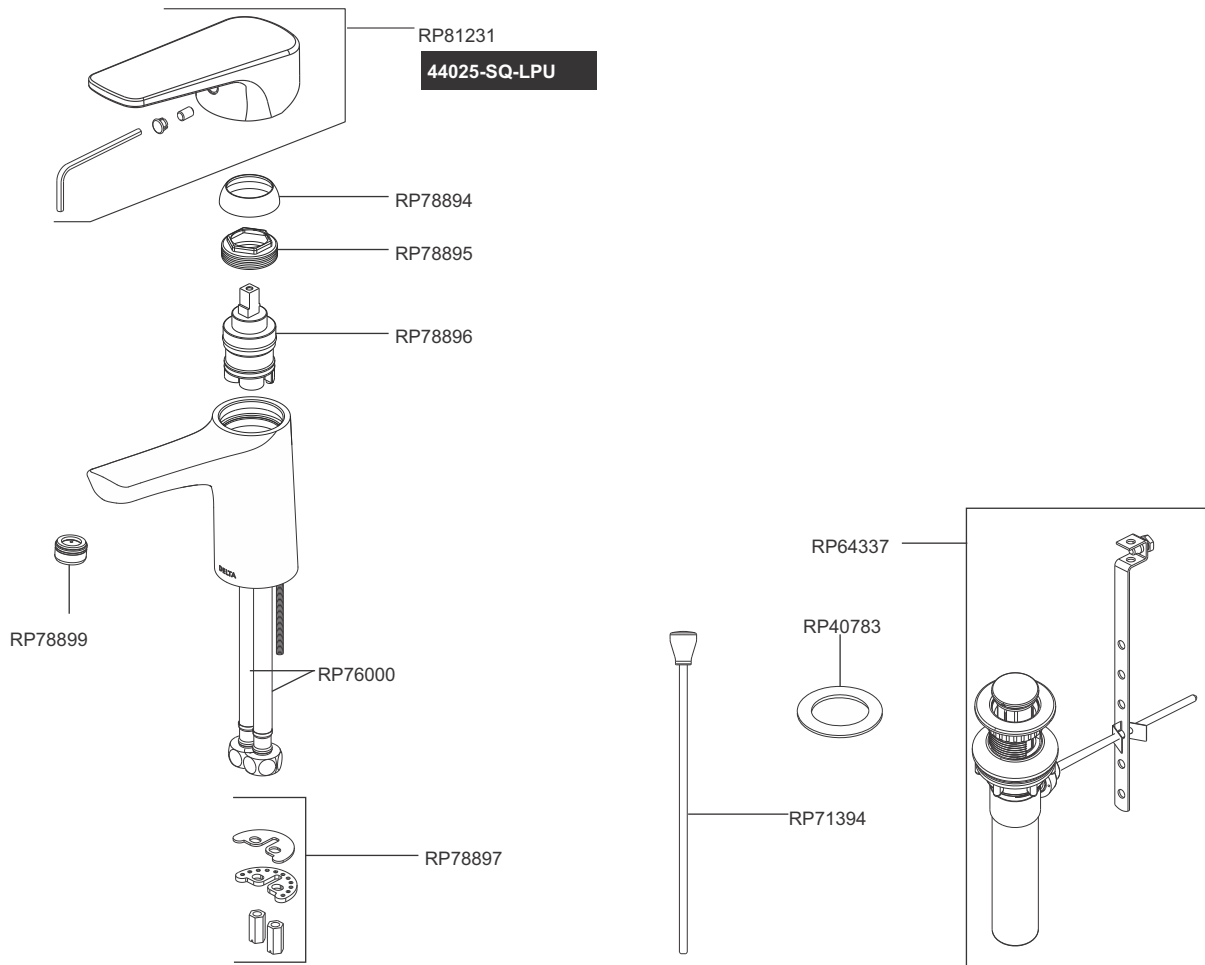
Technical Specification Sheet

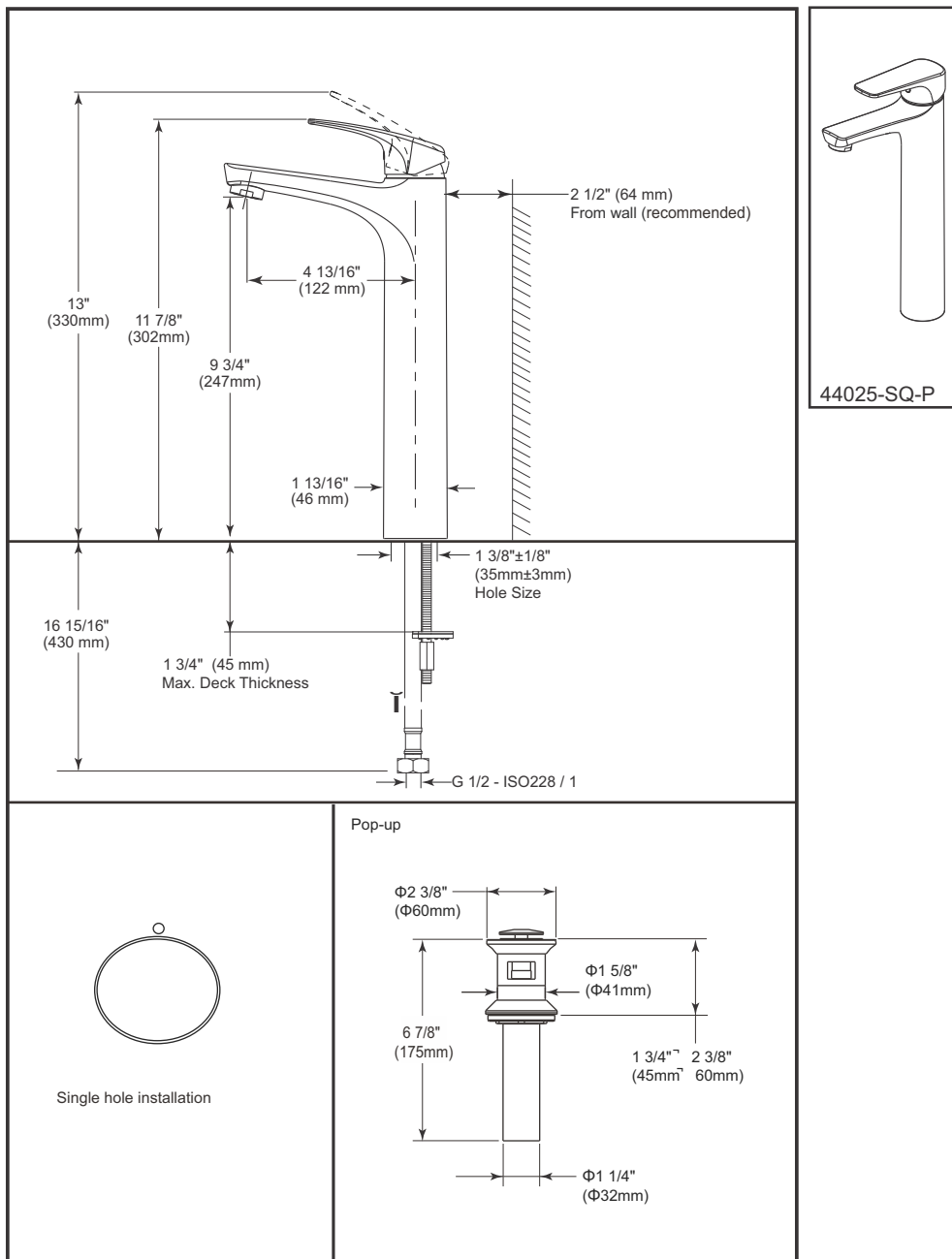




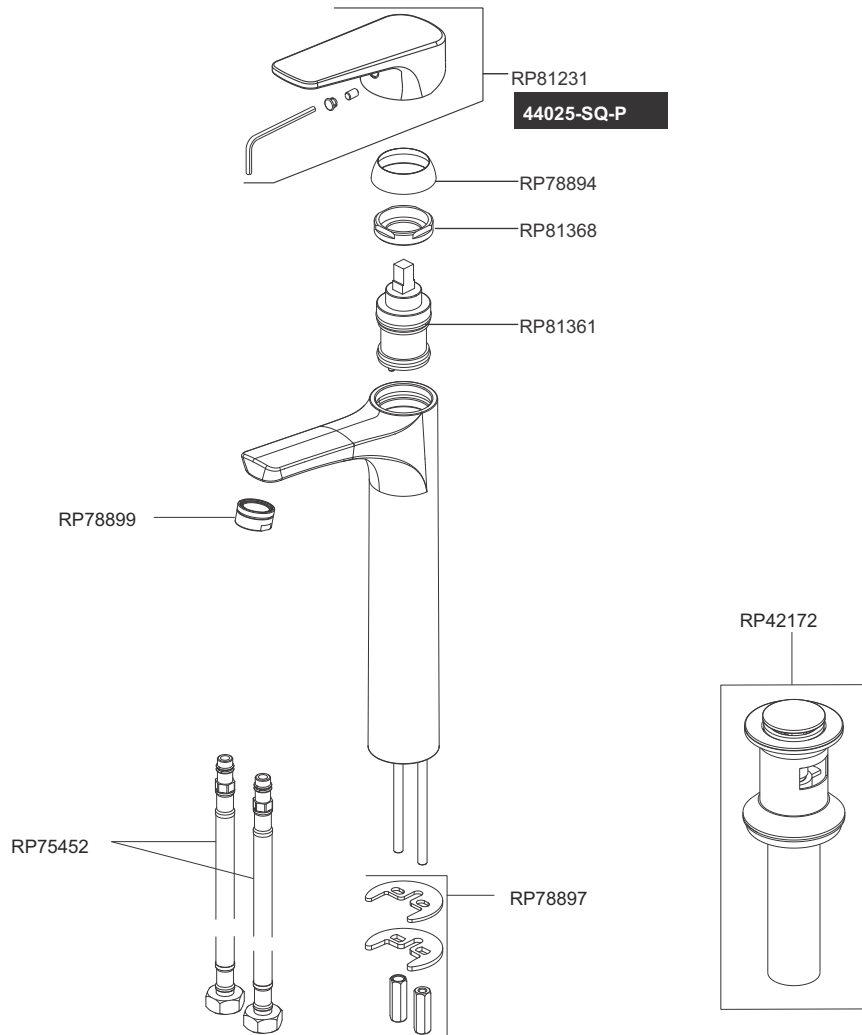
Technical Specification Sheet

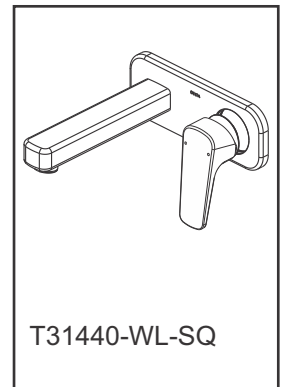
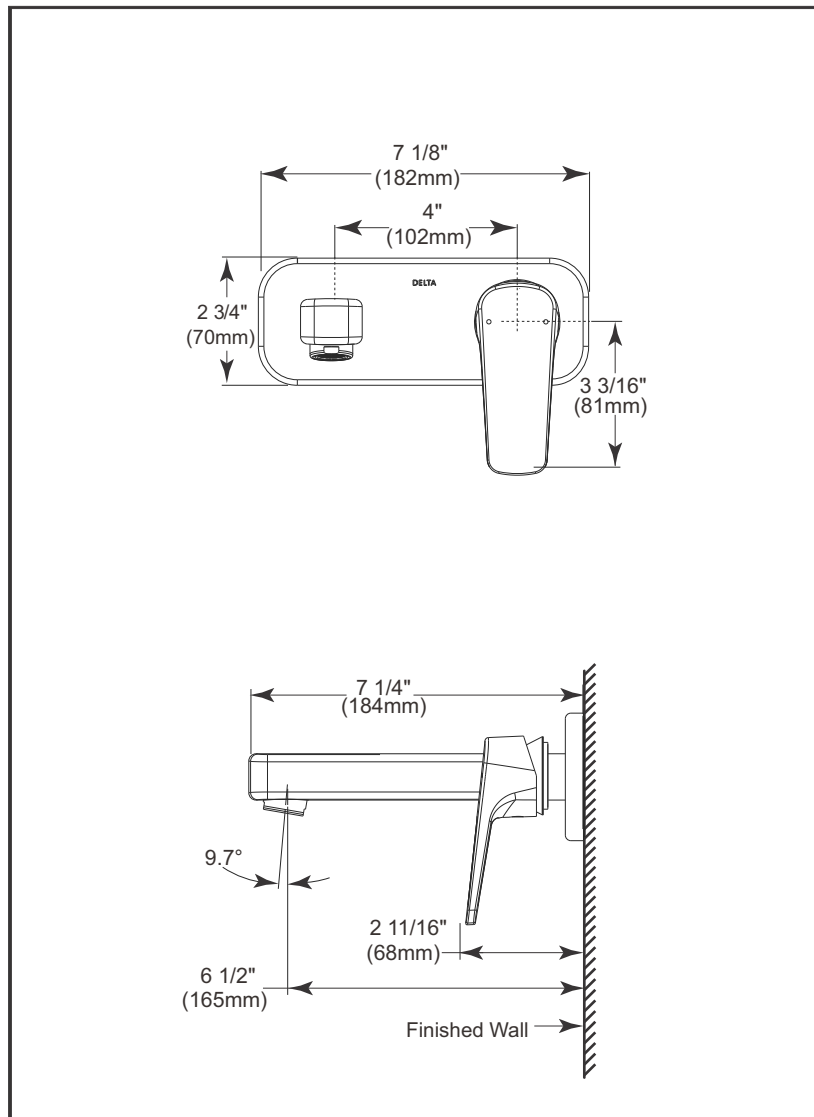


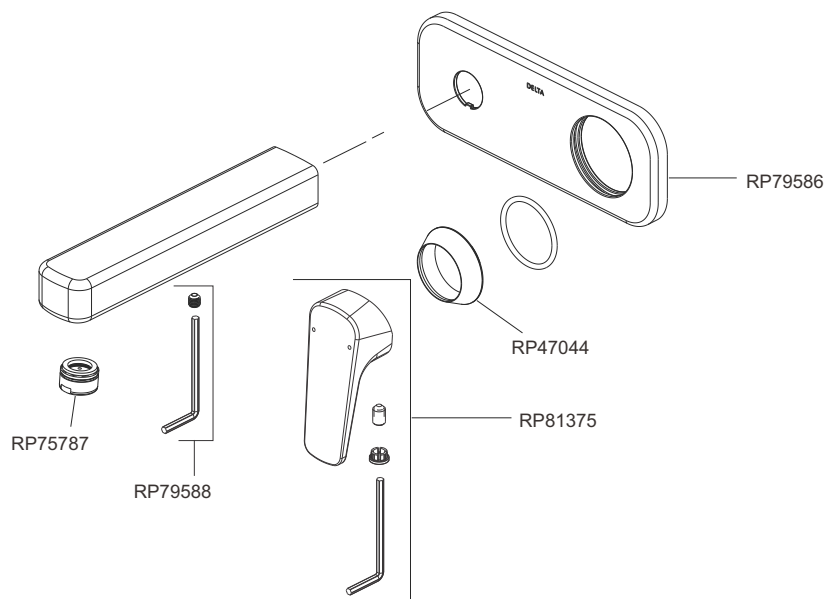


**Technical Specification Sheet**


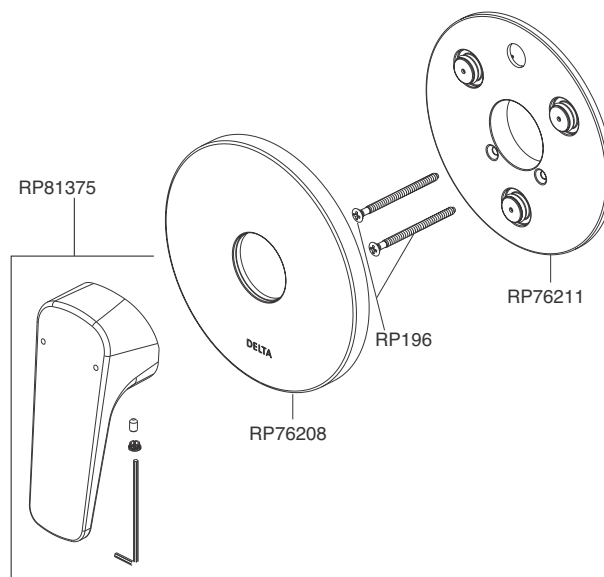
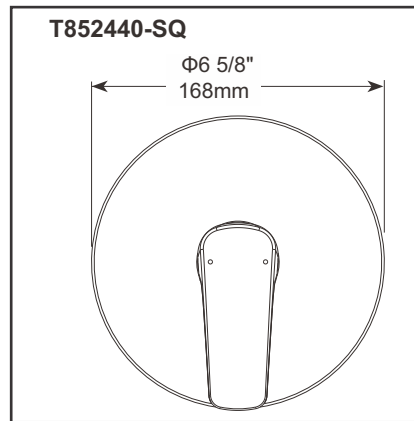




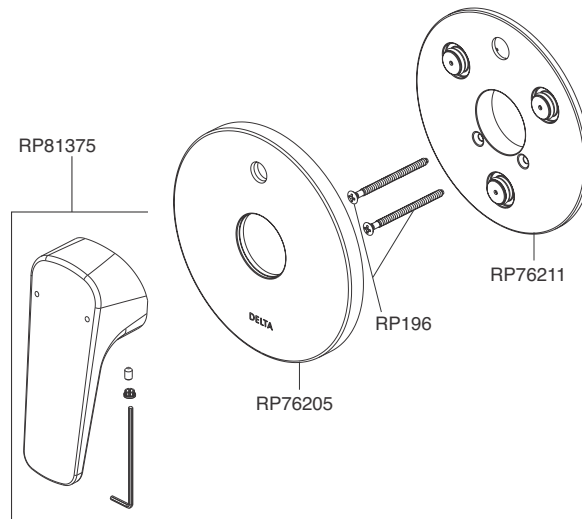
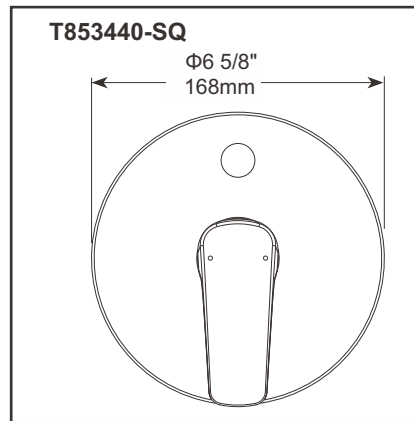
**Ixa Jive Single Handle Wall Mount Lav Faucet  
Trim Only**
**T31440-WL-SQ**
**Technical Specification Sheet**


**Ixa Jive Single Handle Wall Mount Lav Faucet  
Trim Only****T31440-WL-SQ**

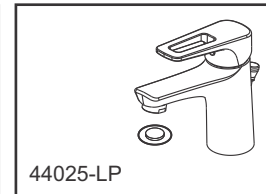
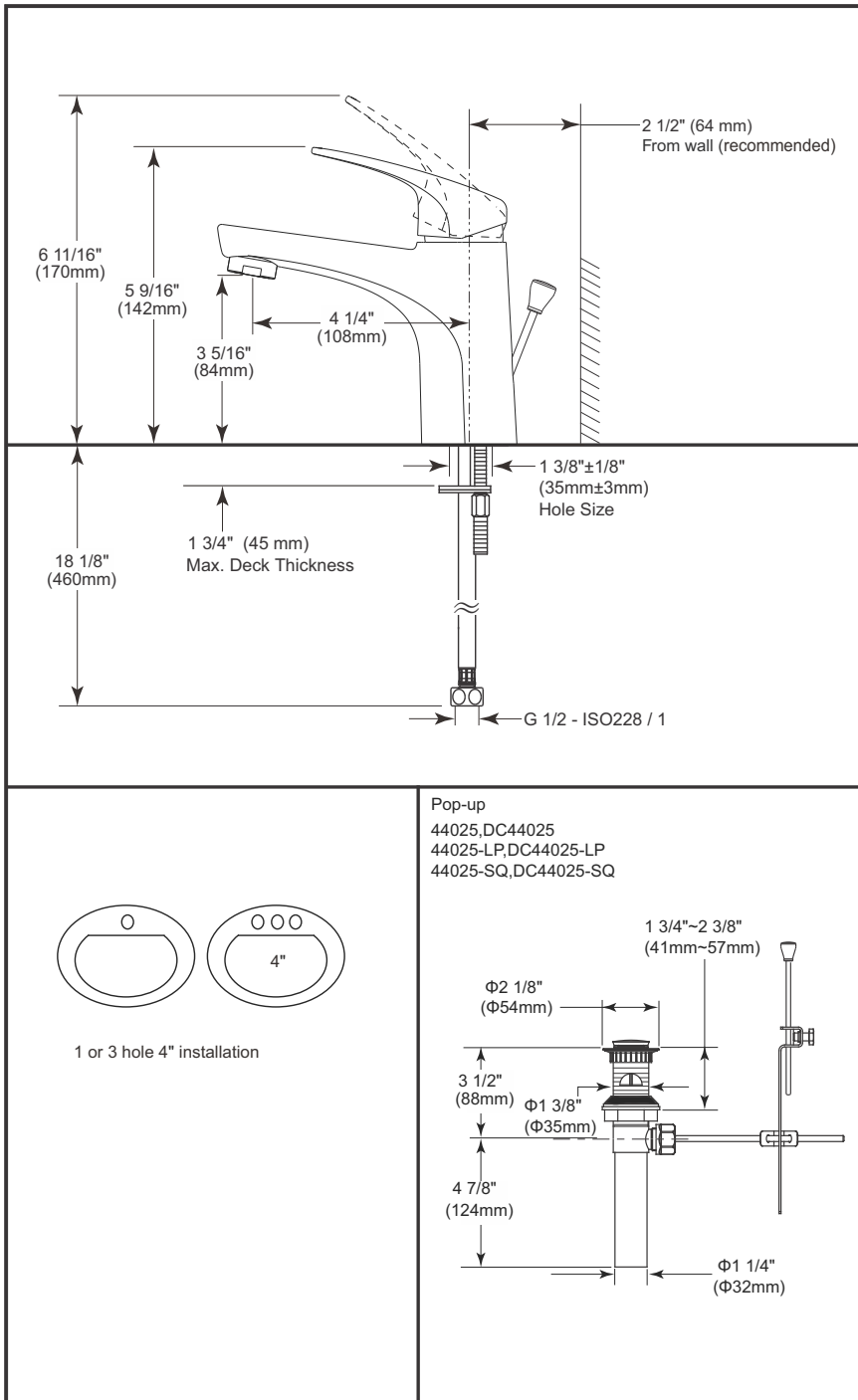
## Technical Specification Sheet

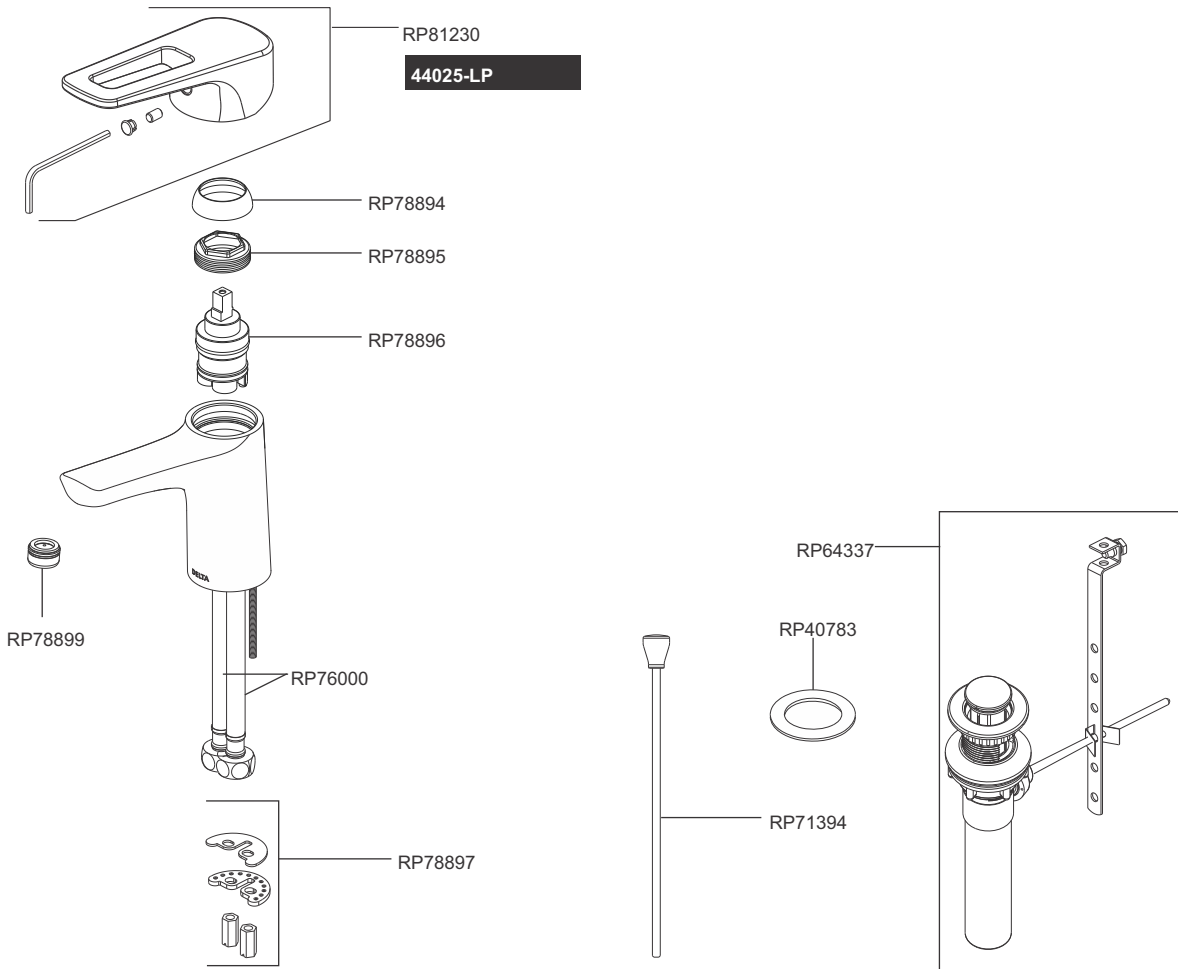


## Technical Specification Sheet

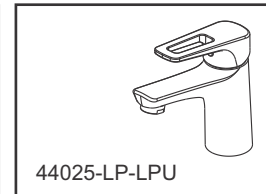
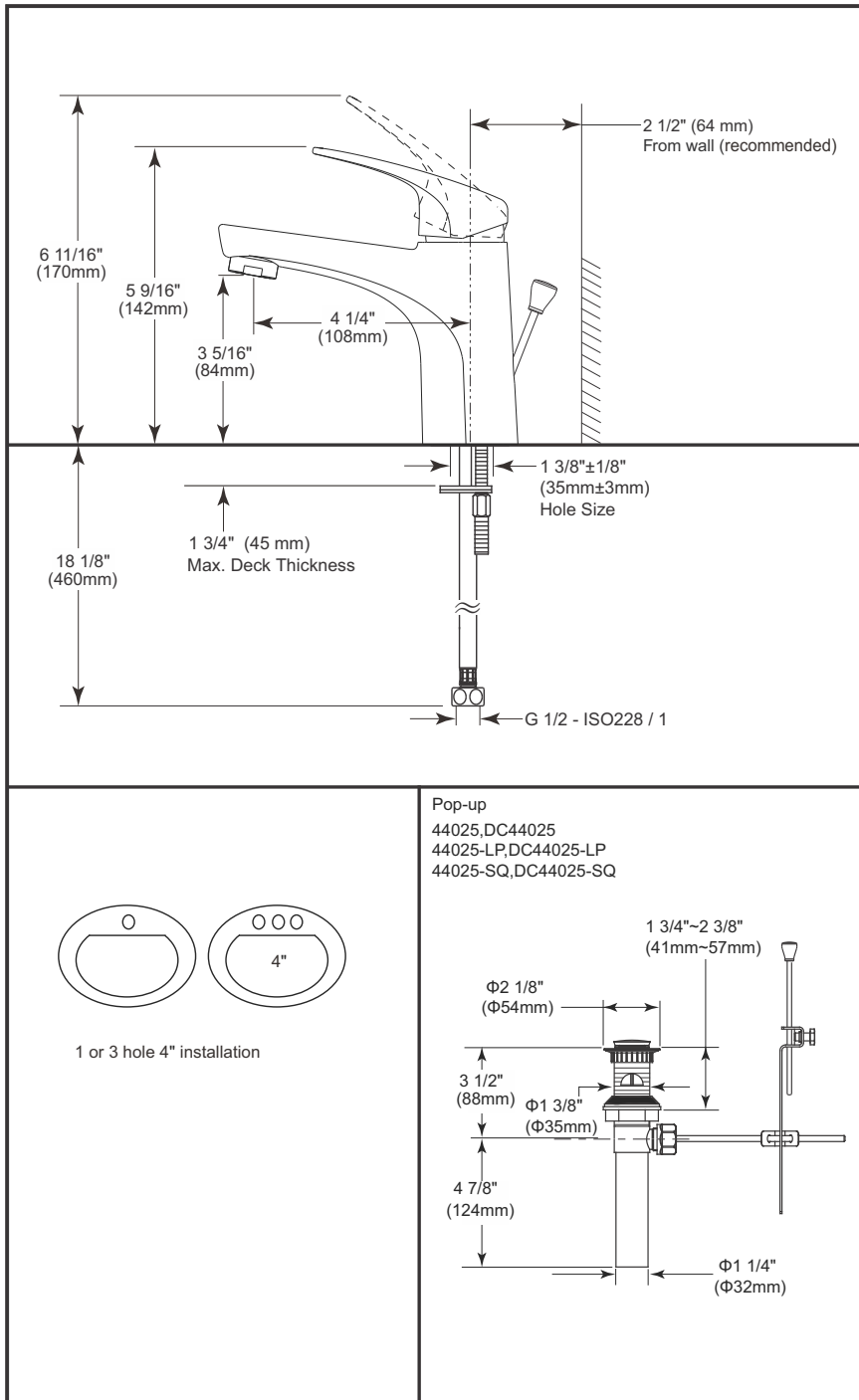


Technical Specification Sheet

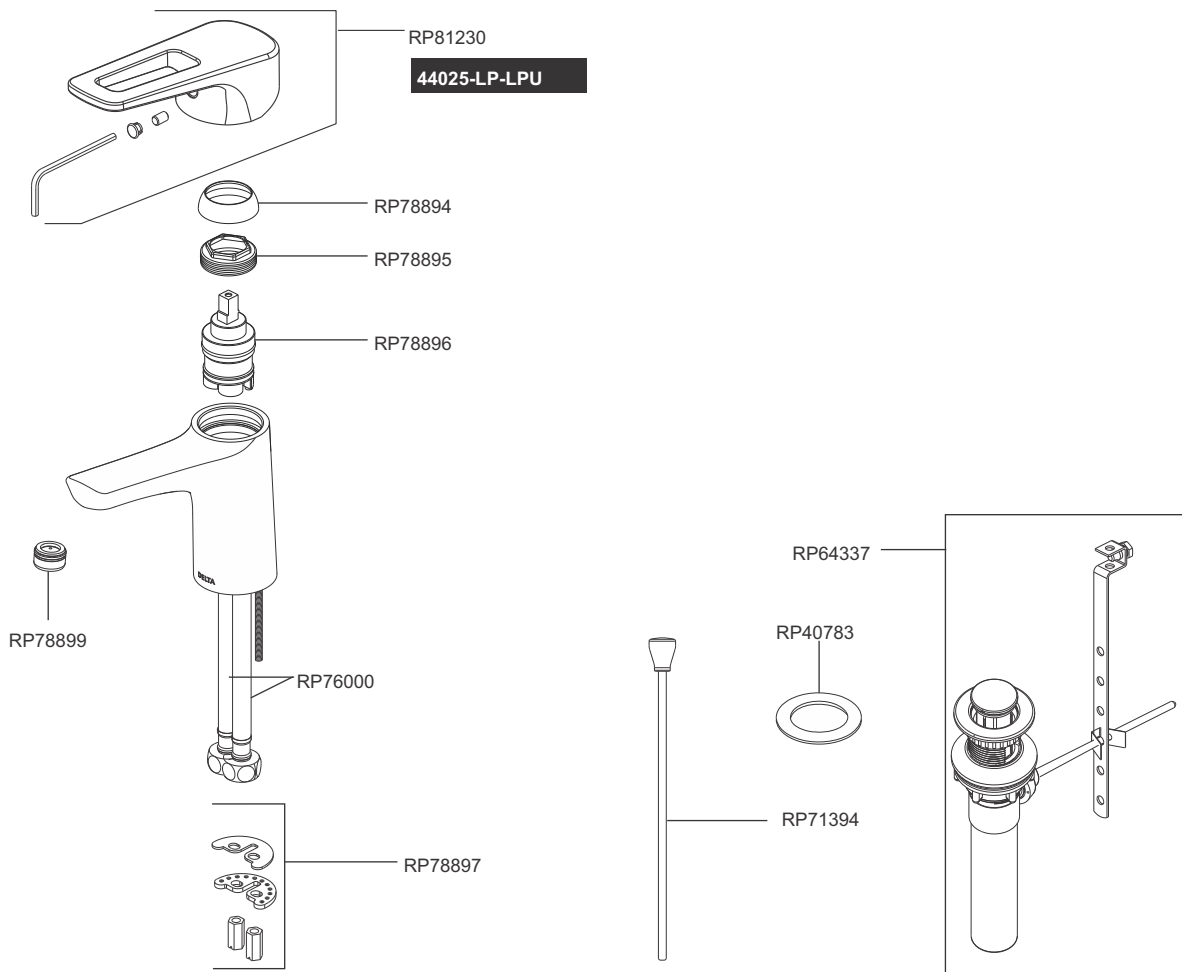


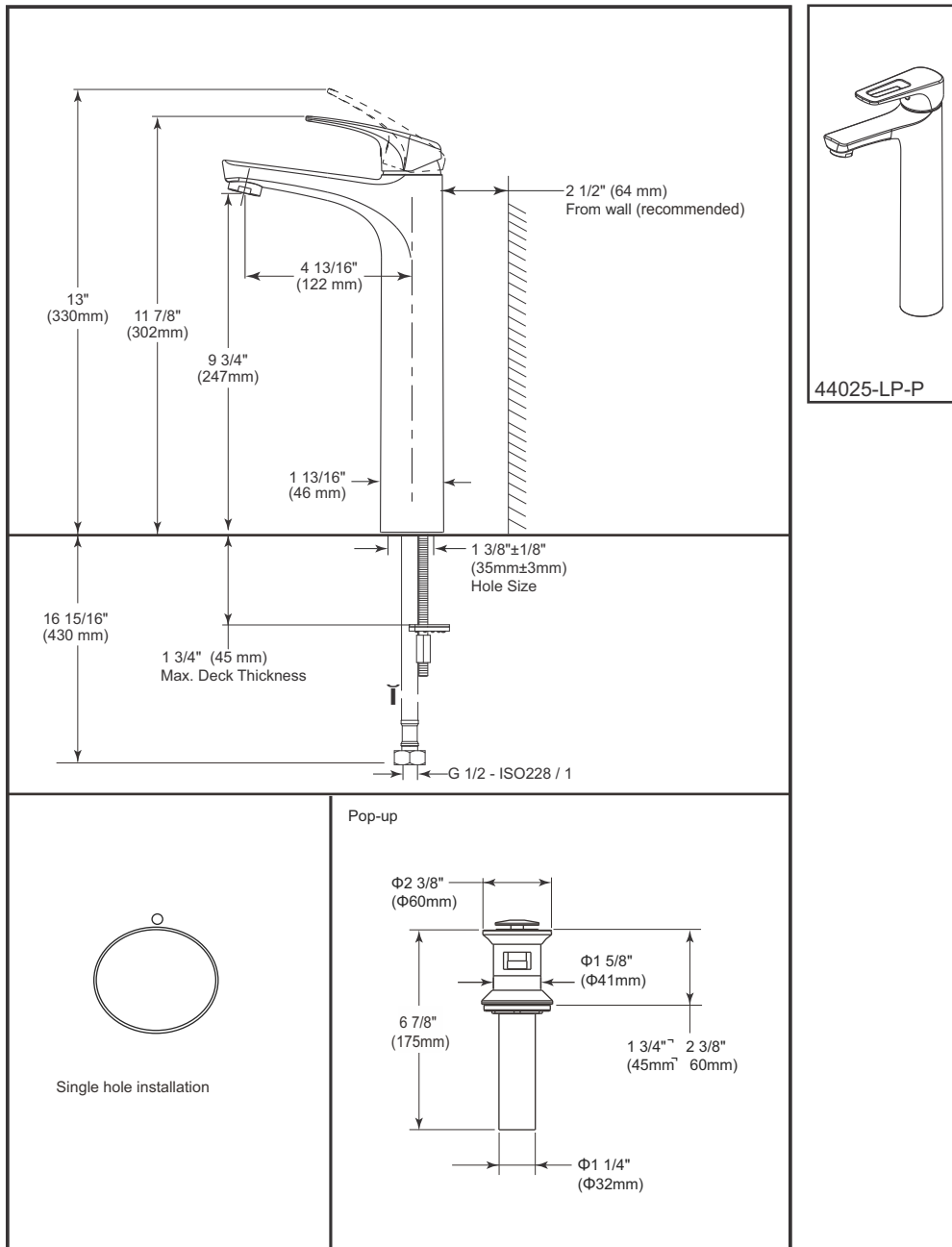


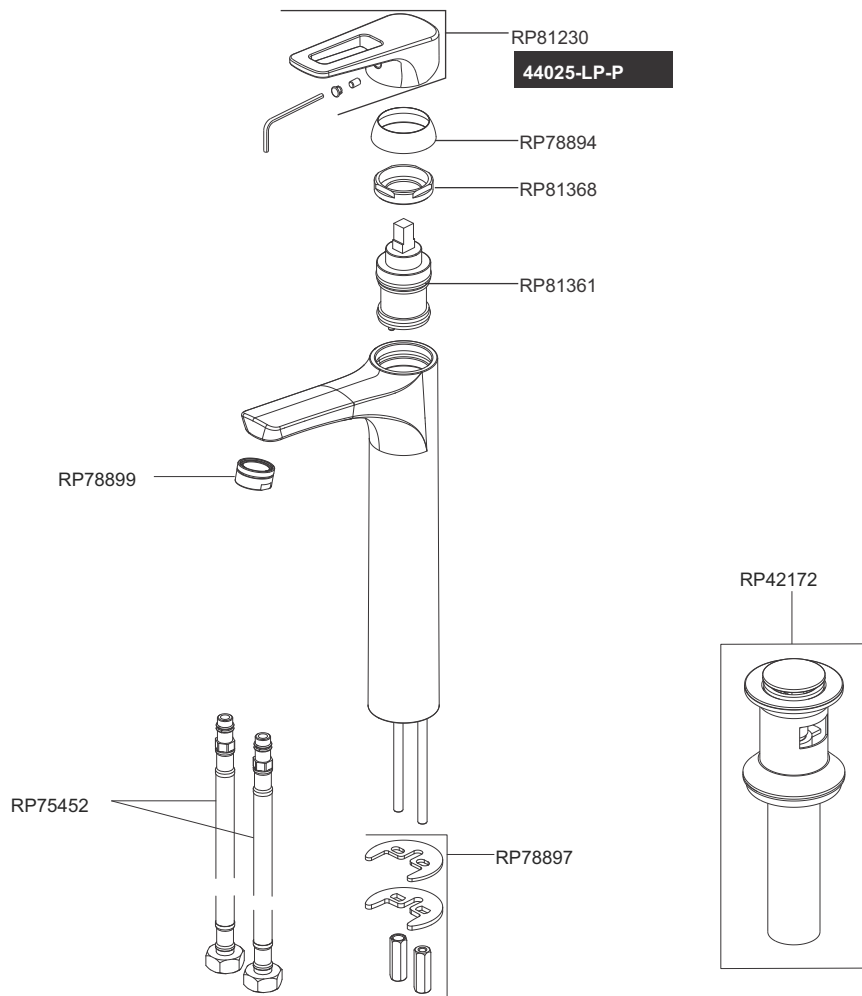
Technical Specification Sheet

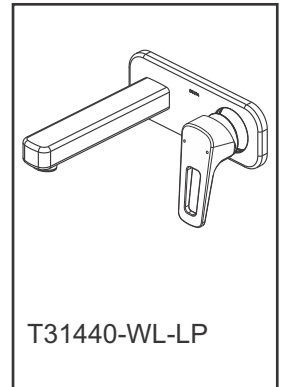
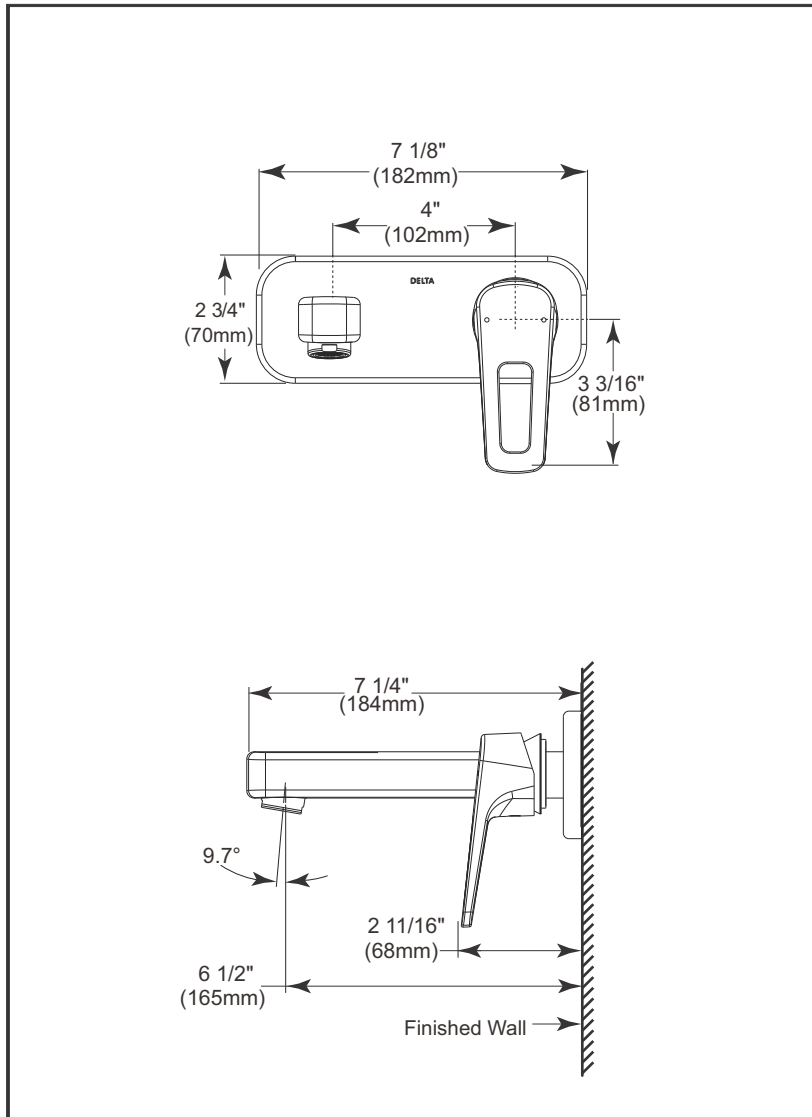


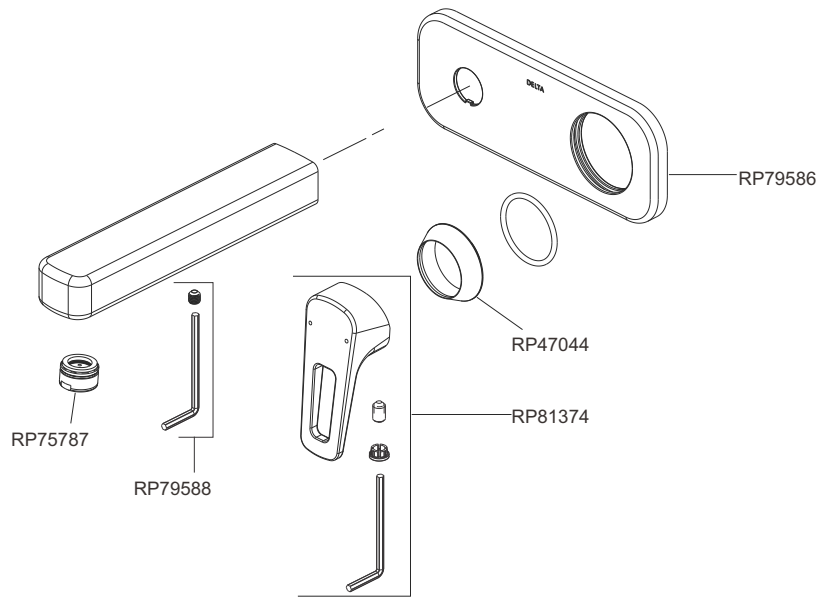




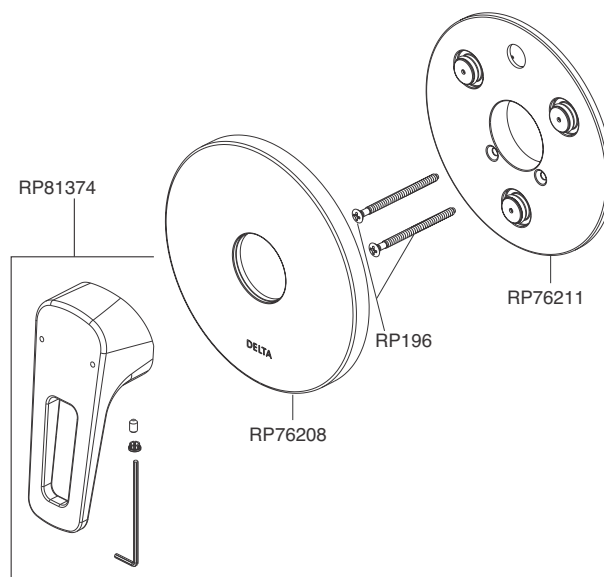
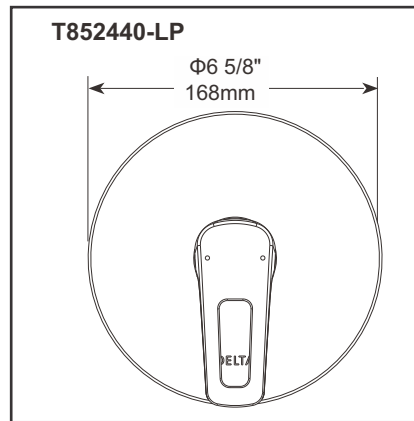
**Technical Specification Sheet**




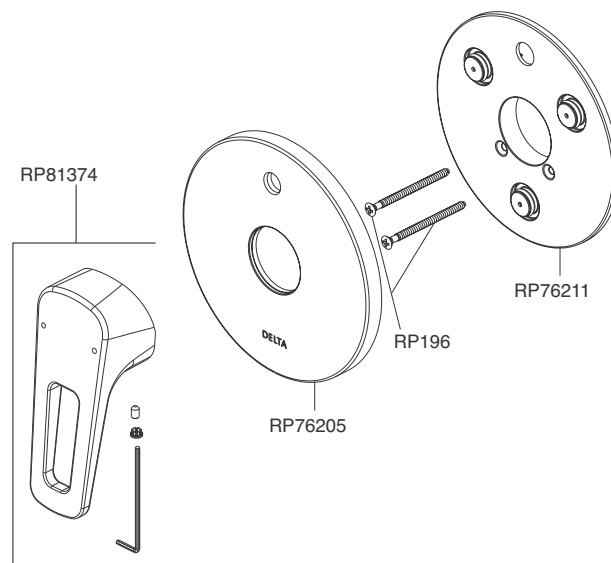
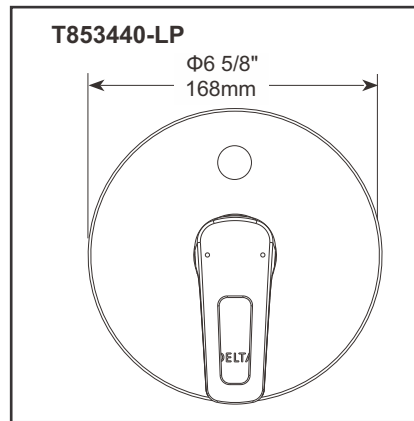
**Ixa Flex Single Handle Wall Mount Lav Faucet  
Trim Only**
**T31440-WL-LP**
**Technical Specification Sheet**


**Ixa Flex Single Handle Wall Mount Lav Faucet  
Trim Only****T31440-WL-LP**

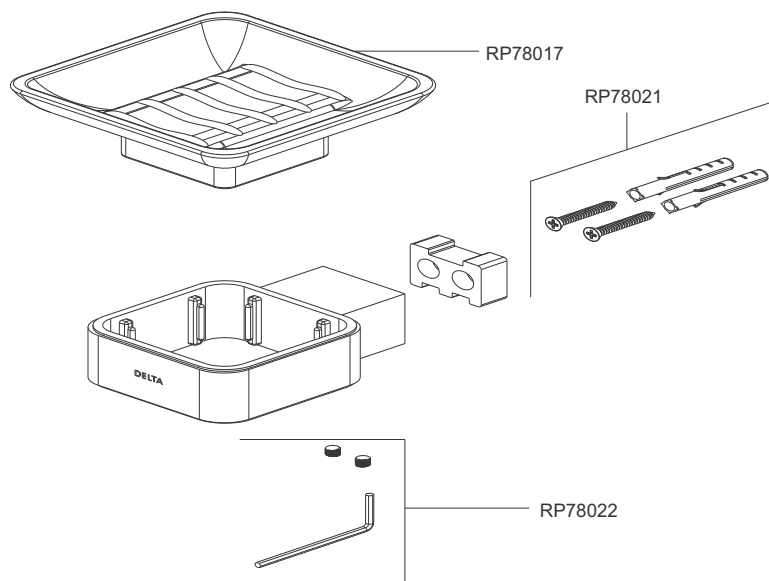
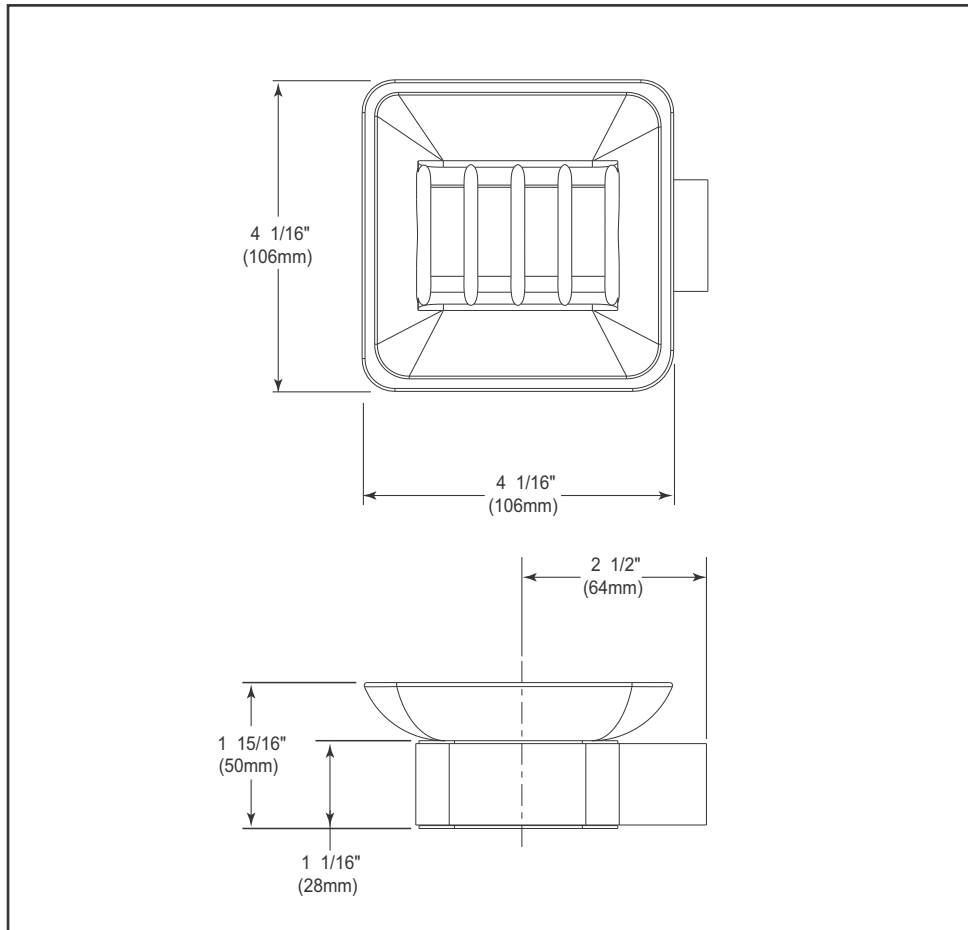
## Technical Specification Sheet



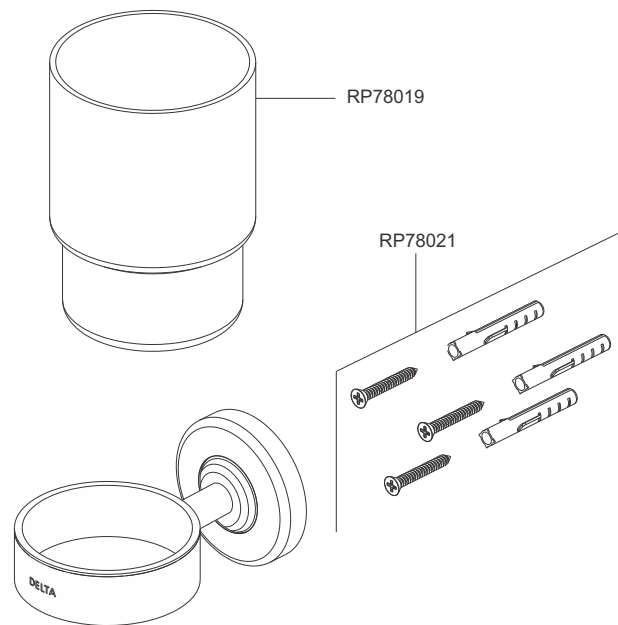
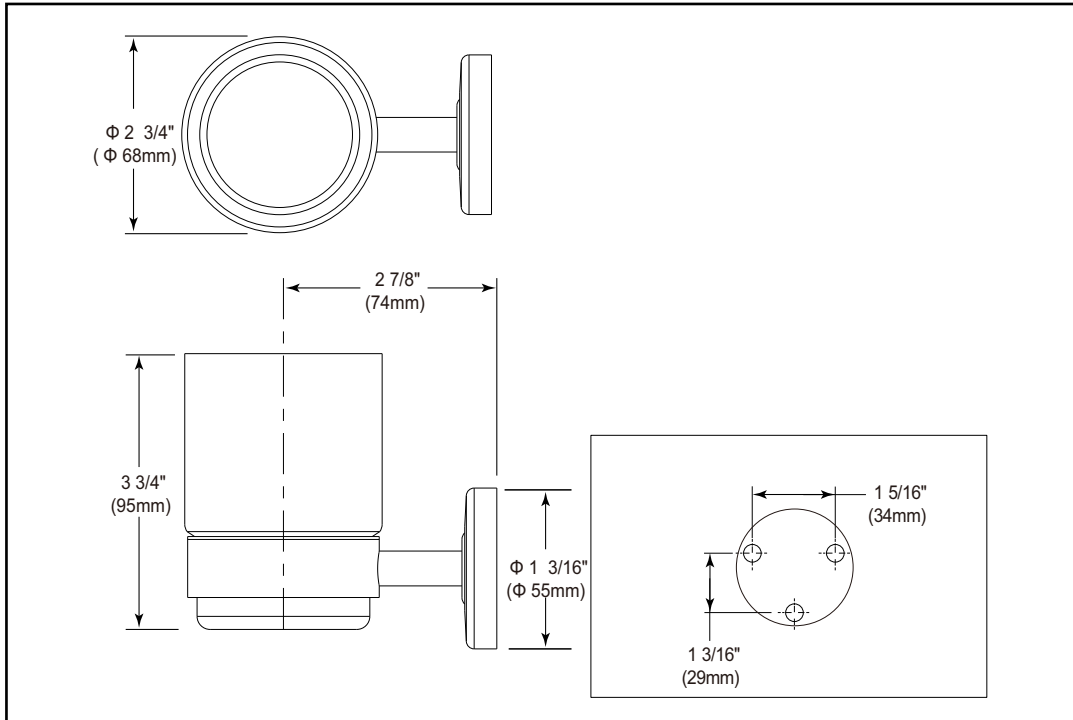
## Technical Specification Sheet



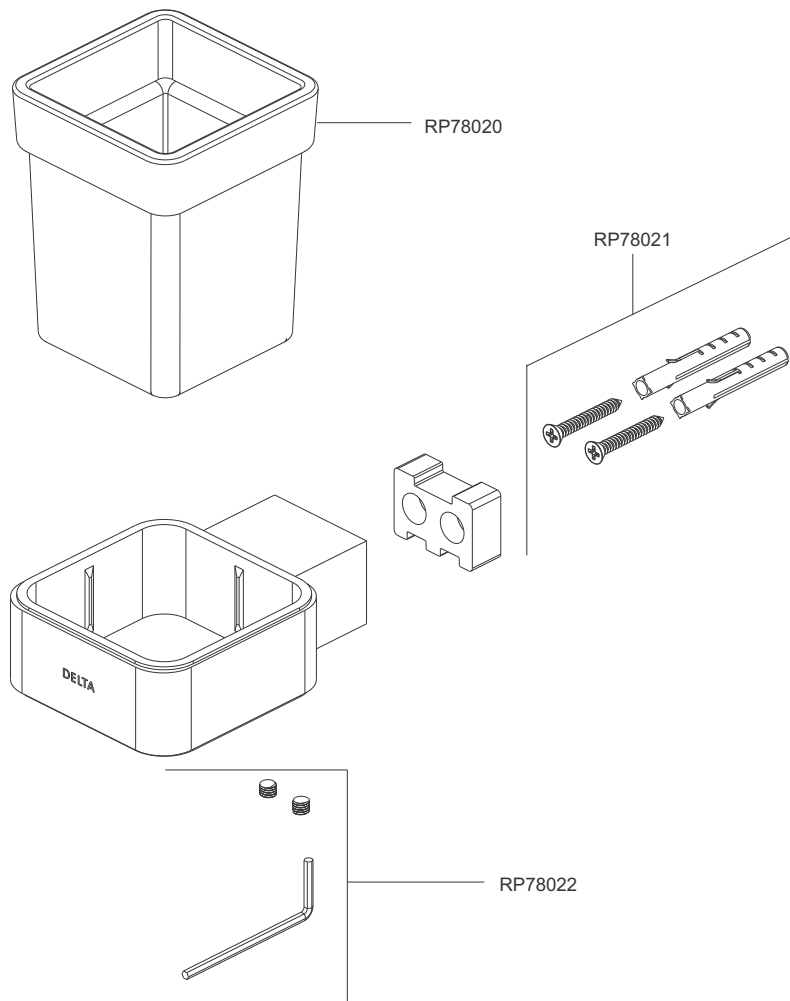
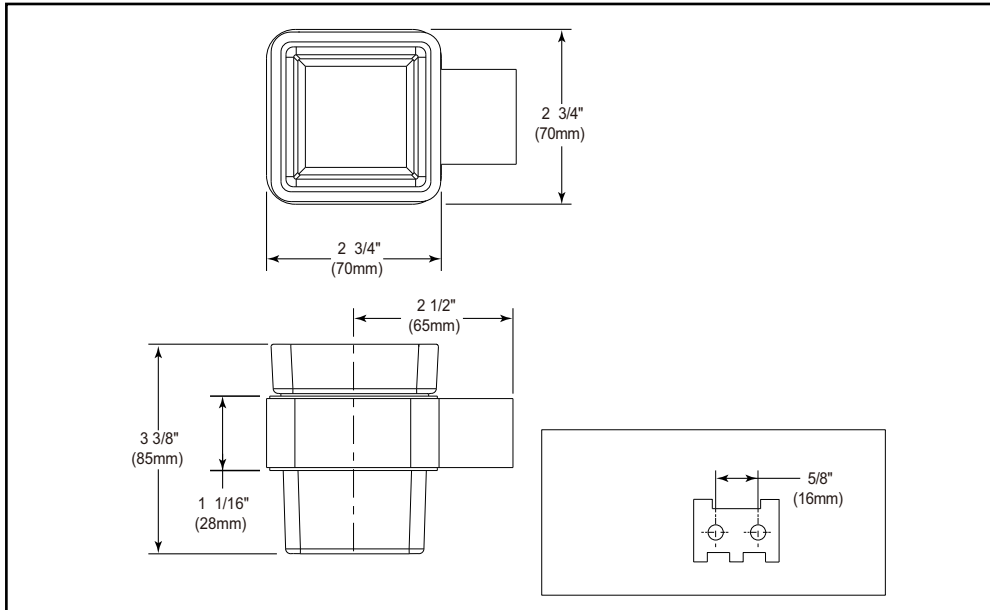
## Technical Specification Sheet

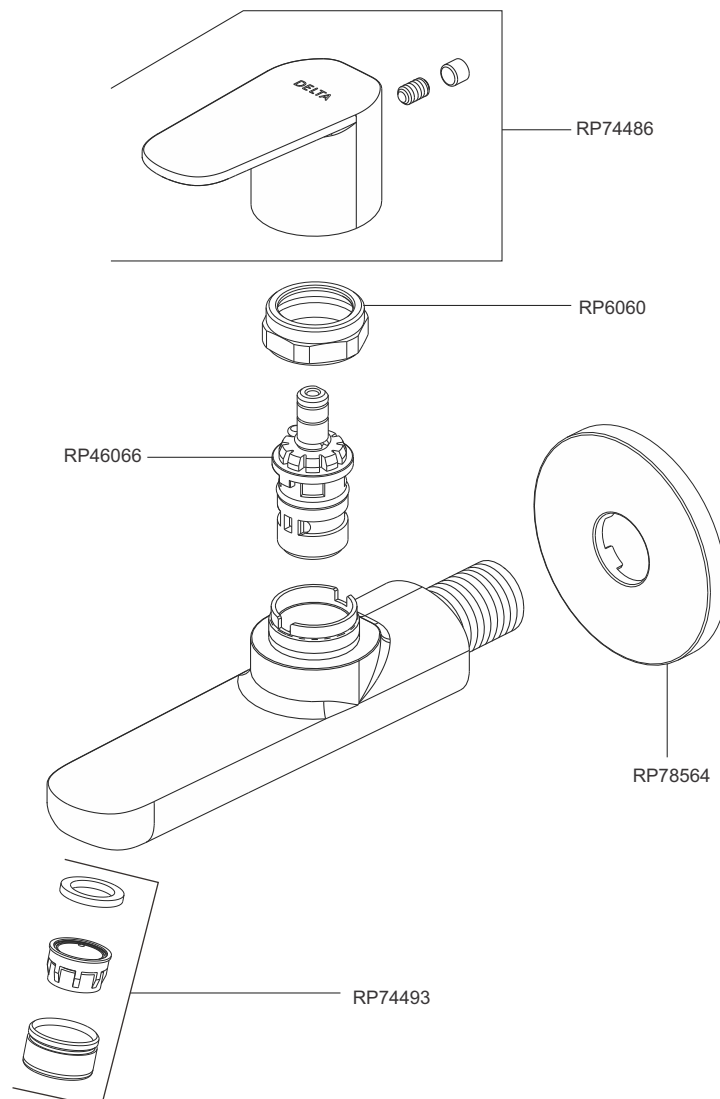
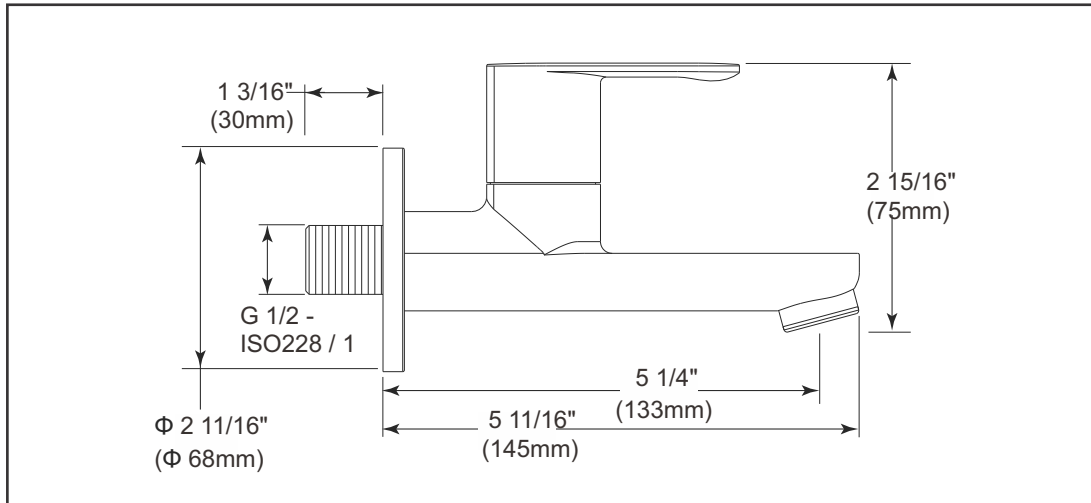


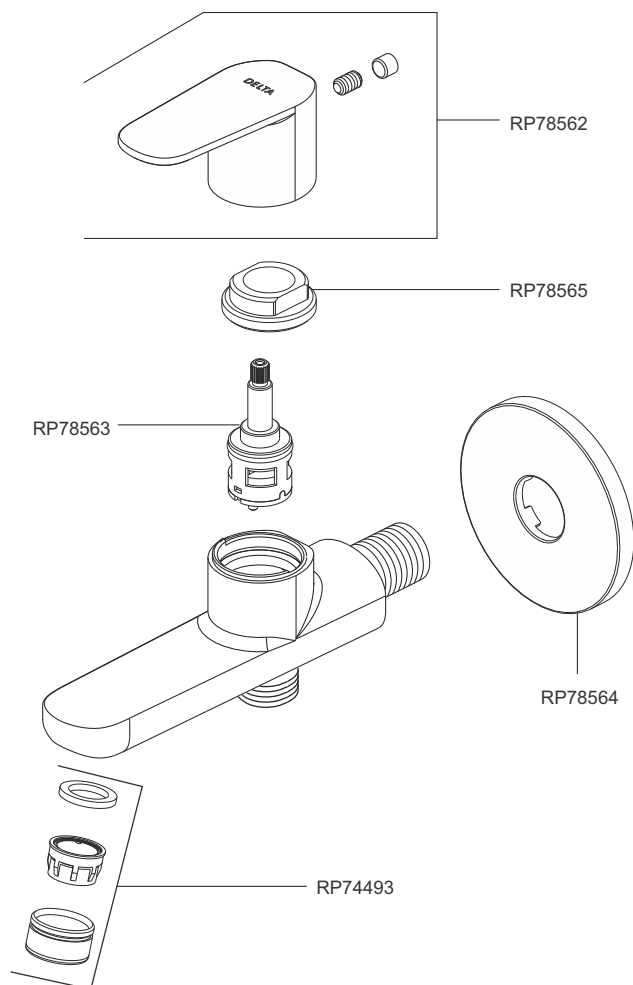
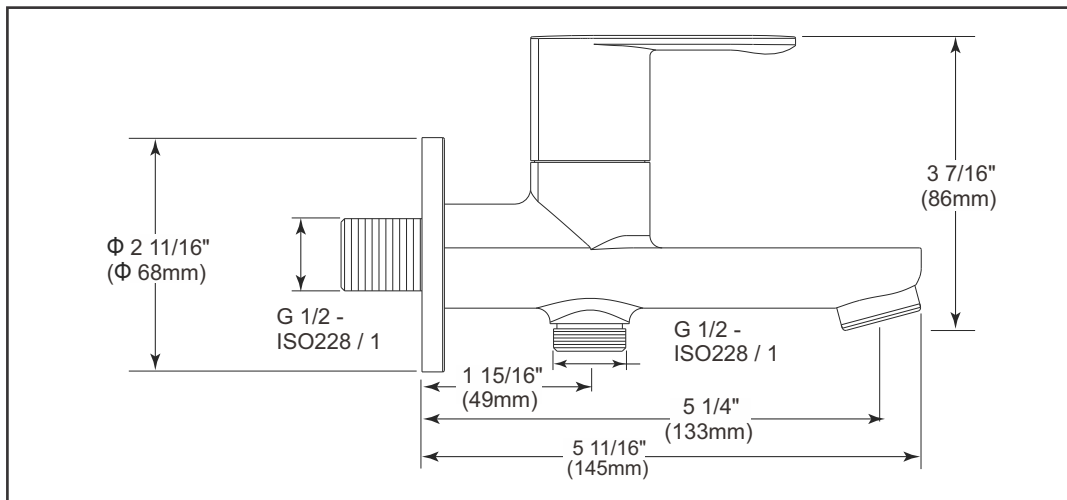


**Technical Specification Sheet**


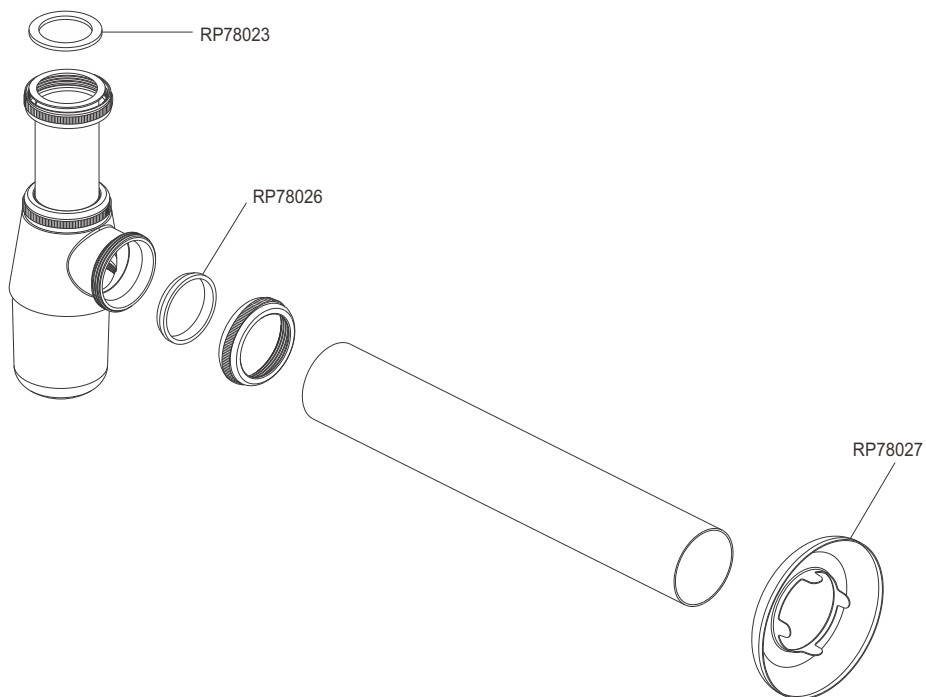
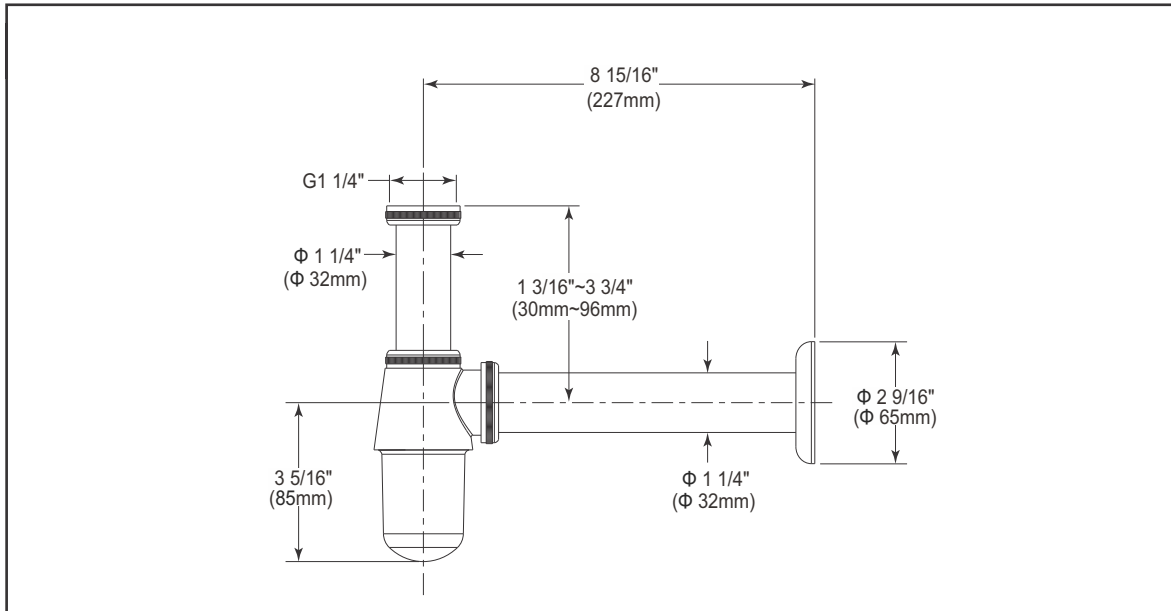
## Technical Specification Sheet

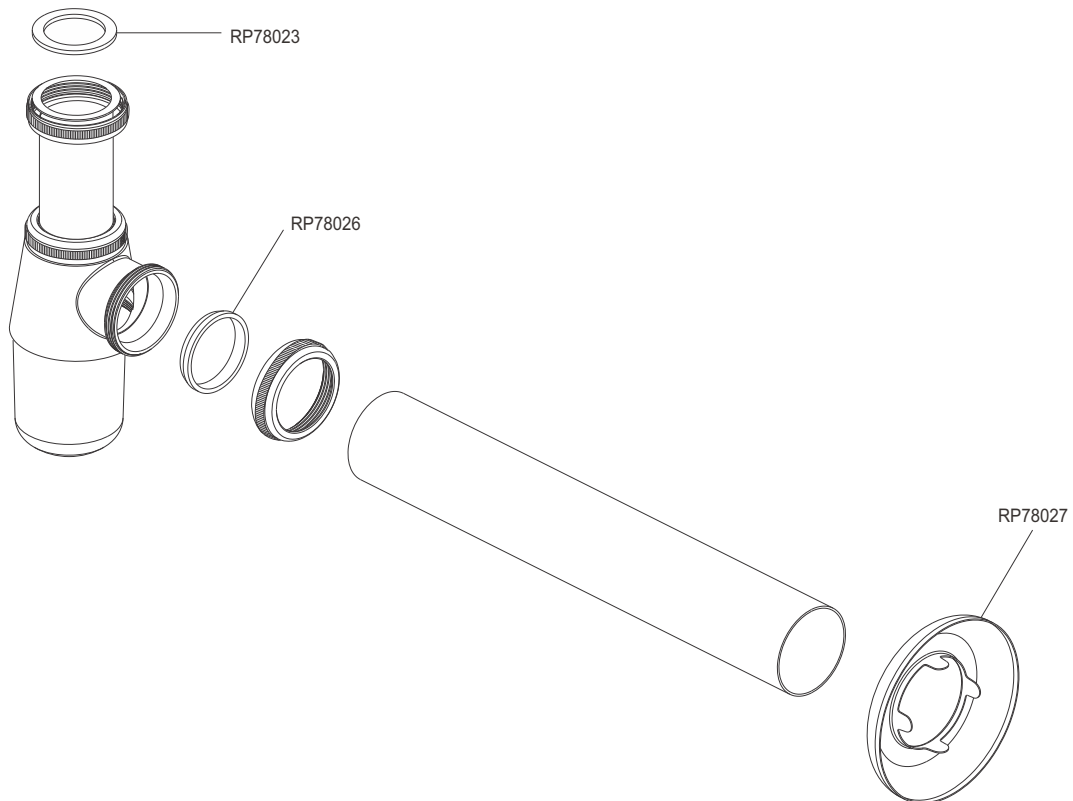
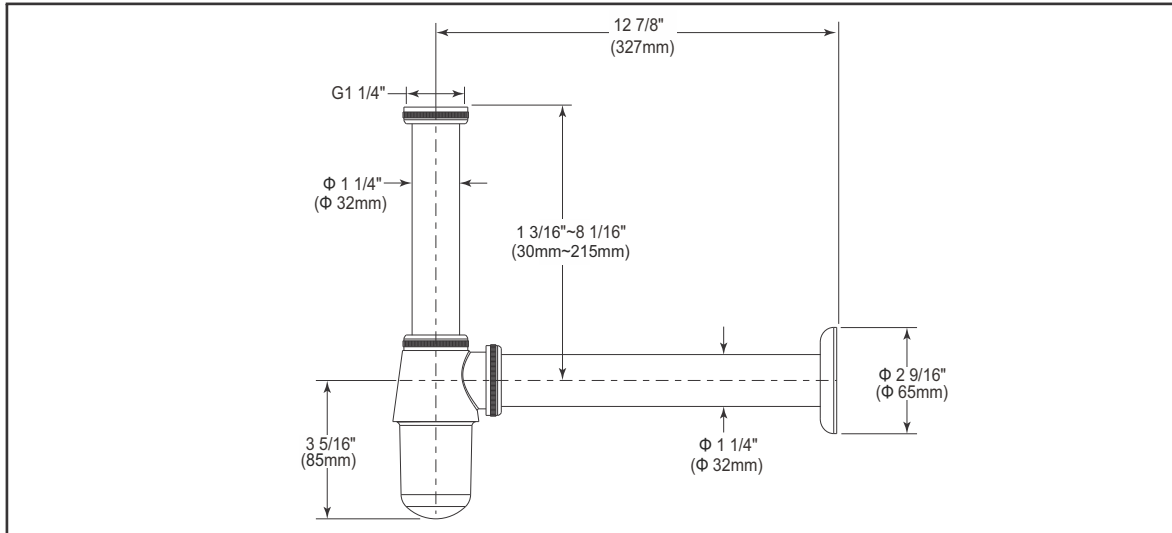


**Technical Specification Sheet**


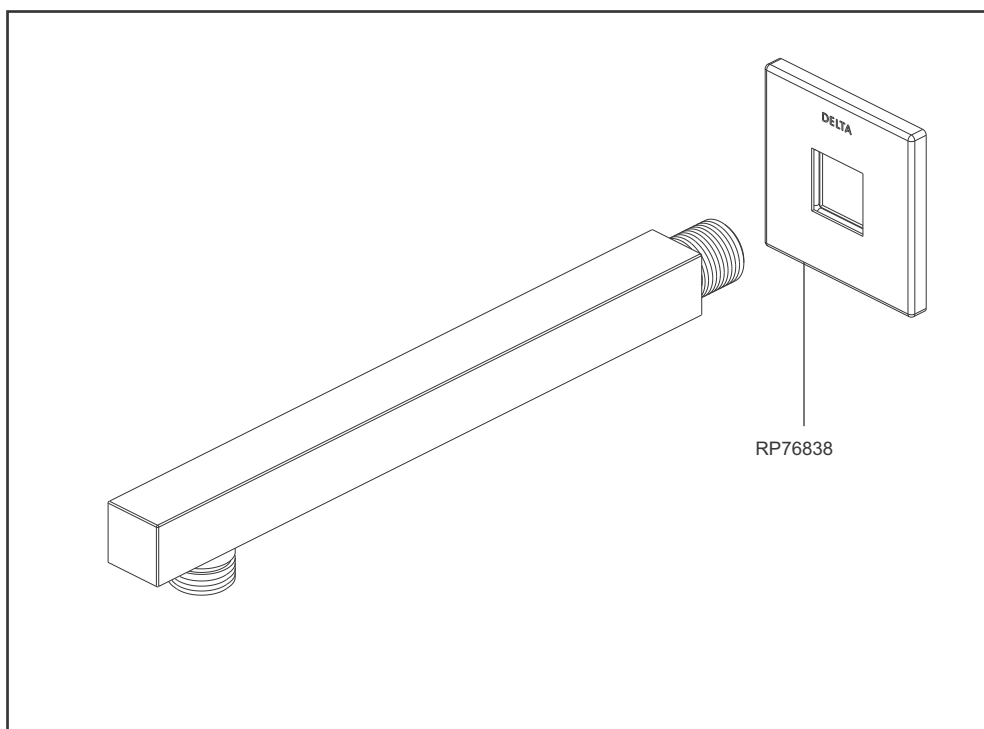
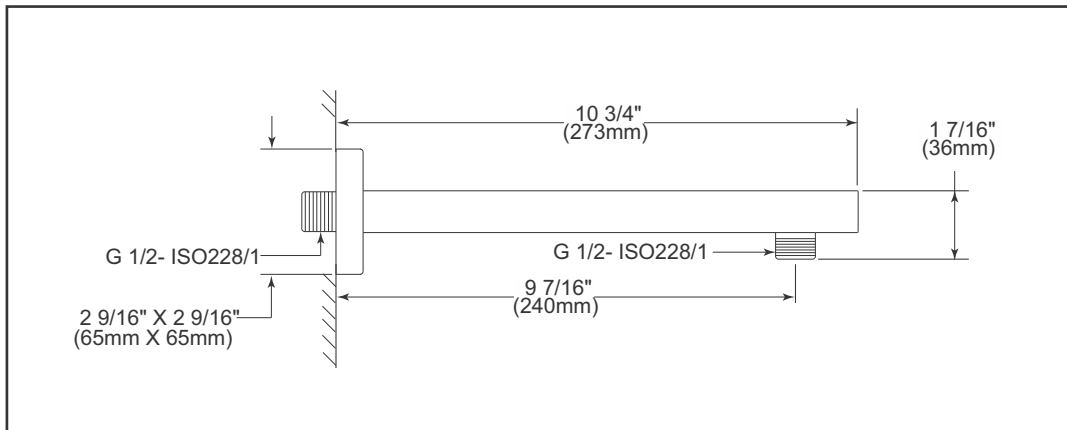
**Technical Specification Sheet**


## Technical Specification Sheet



**Technical Specification Sheet**


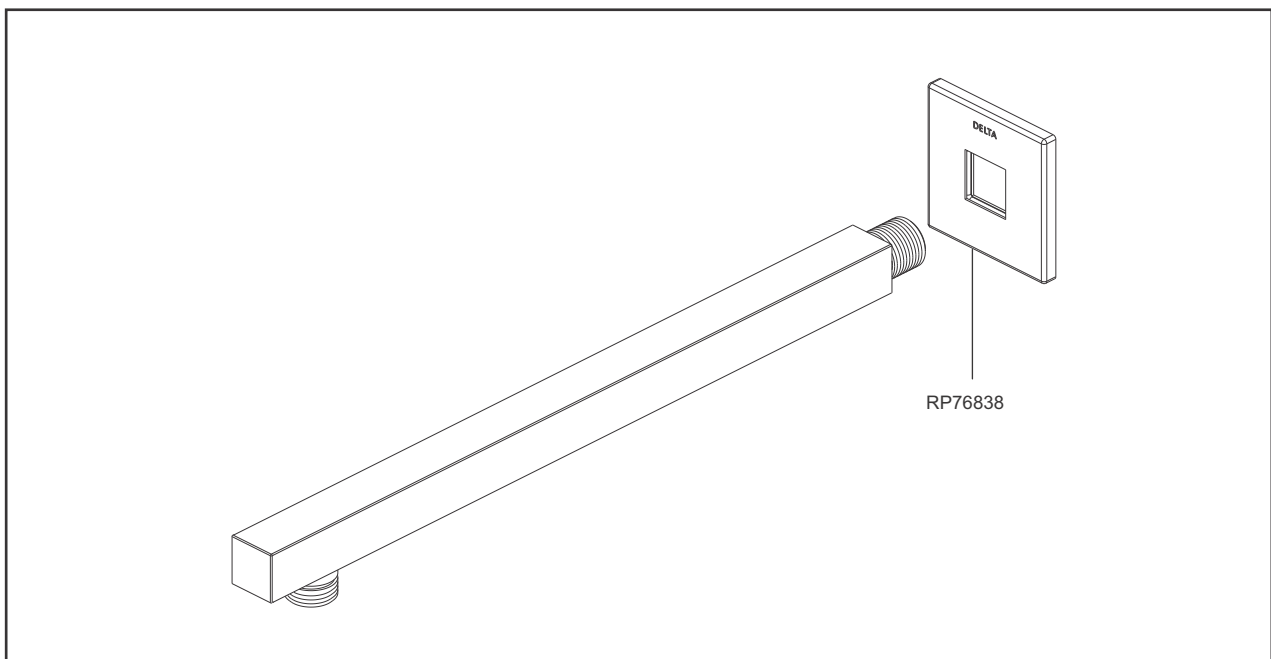
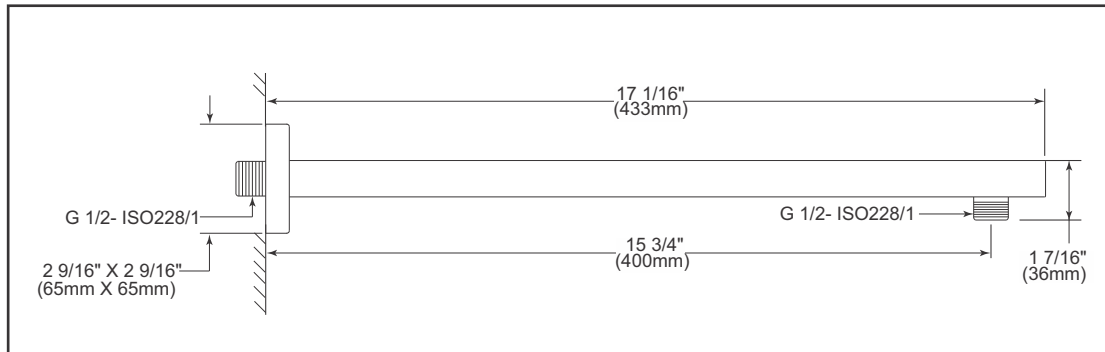
## Technical Specification Sheet



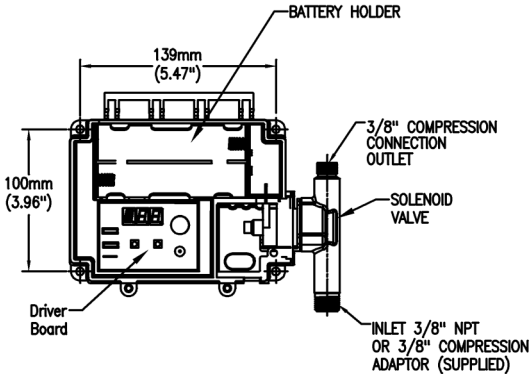
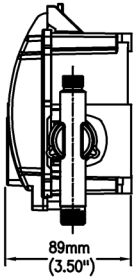
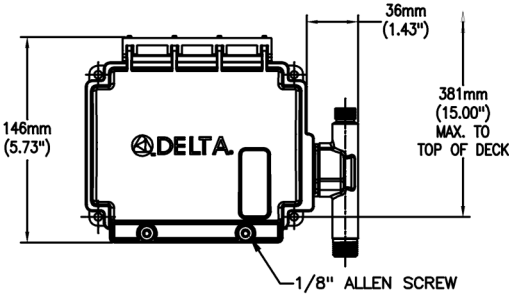
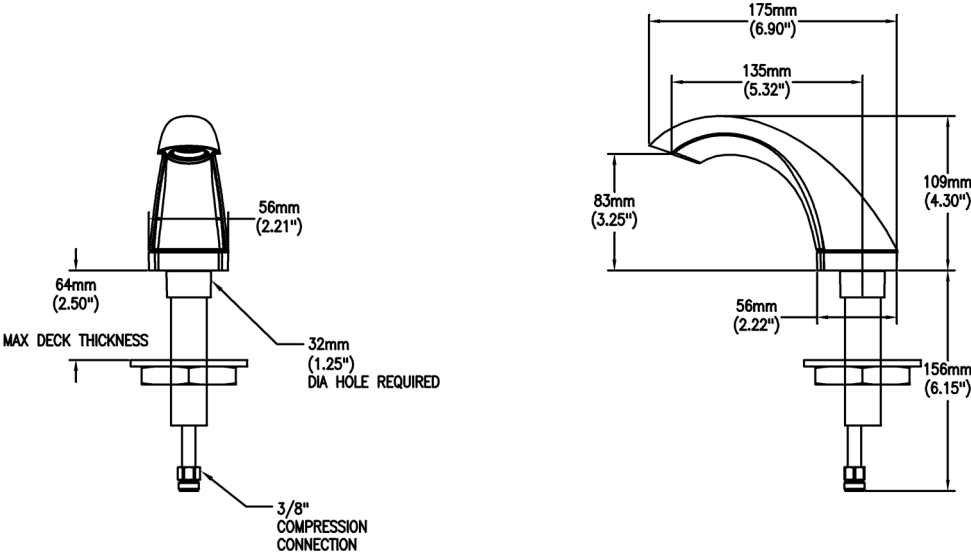
## Square 16" Wall Mount Showerarm with Flange

RP60674

## Technical Specification Sheet





**Technical Specification Sheet**


Note: Braided polymer hose connection supplied between Solenoid Valve and Spout as well as for Solenoid Valve Inlet

**Complementary Commercial Allied**

**590-PLGHDF**

**061203A**  
Vandal Resistant Laminar Outlet  
with Wrench  
0.5 GPM (1.9 L/min)

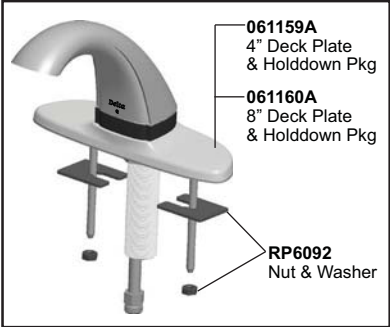
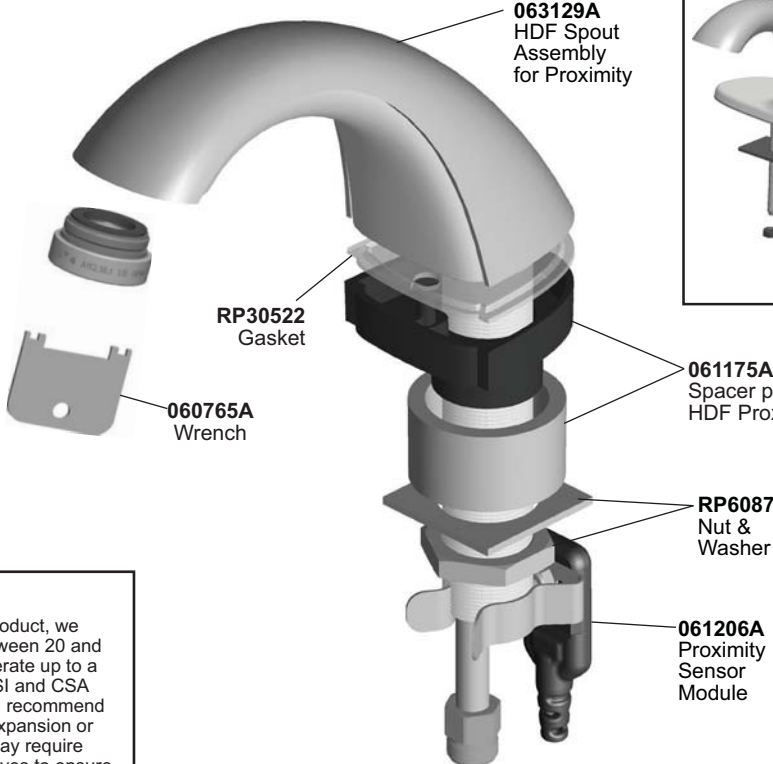
**060638A - Optional**  
Vandal Resistant Laminar Outlet  
with Antimicrobial by Agion®  
1.5 GPM (5.7 L/min)

**060640A - Optional**  
Vandal Resistant Flow Control  
Aerator and Wrench  
1.5 GPM (5.7 L/min)

**060642A - Optional**  
Flow Control Aerator  
with Wrench  
1.5 GPM (5.7 L/min)

**RP31704 - Optional**  
Vandal Resistant Spray Outlet  
with Wrench  
0.5 GPM (1.9 L/min)

**060566A - Optional**  
Vandal Resistant Spray Outlet  
with Wrench  
1.0 GPM (3.8 L/min)



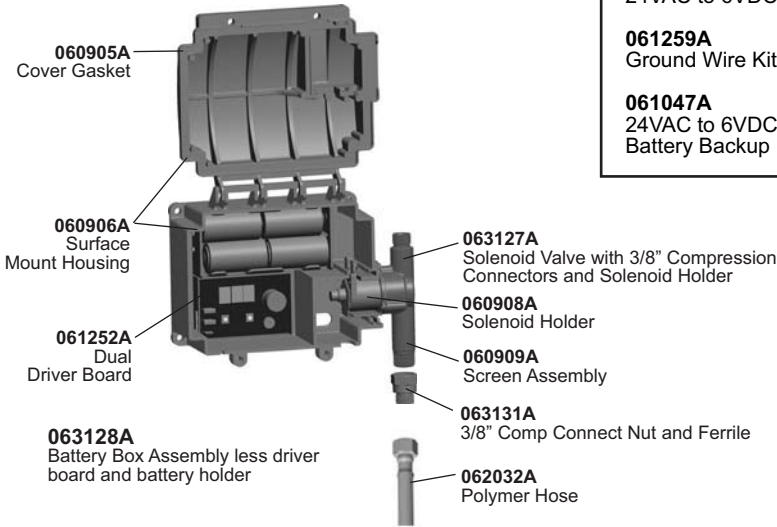
**NOTES:**  
For optimum performance of this product, we recommend a system pressure between 20 and 80 PSI static. This product will operate up to a maximum of 125 PSI static per ANSI and CSA requirements. However, we do not recommend pressure above 80 PSI. Thermal expansion or leaking pressure reducing valves may require use of expansion tanks or relief valves to ensure your system never exceeds its maximum intended pressure setting.  
Designed for routine 180°F (82°C) disinfection cycles up to 10 minutes.  
Hardwire Proximity models not for use on enamel covered metal sinks.

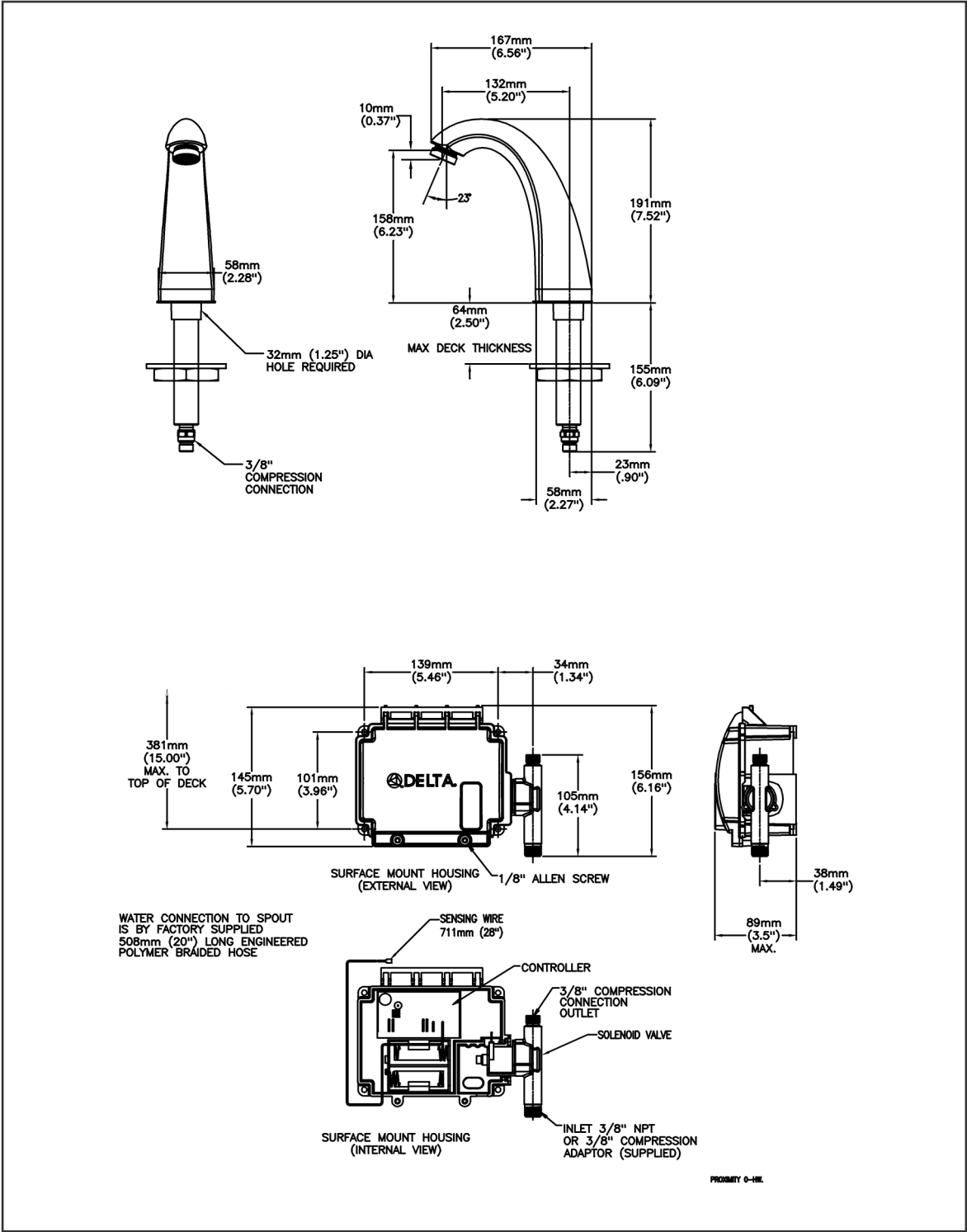
OPTION LIST	
	<b>060681A</b> Battery Holder
<b>TRANSFORMERS</b>	
<b>060704A</b>	Transformer 110 to 24 VAC 20VA up to 5 Electronic Valves
<b>060771A</b>	Transformer 110 to 24 VAC 40VA up to 10 Electronic Valves
<b>060772A</b>	Transformer 110 to 24 VAC 100VA up to 25 Electronic Valves
<b>DECK PLATES</b>	
<b>061159A</b>	4" Deck Plate & Holddown Pkg.
<b>061160A</b>	8" Deck Plate & Holddown Pkg.

**060683A**  
24VAC to 6VDC Converter

**061259A**  
Ground Wire Kit (for hardwire models)

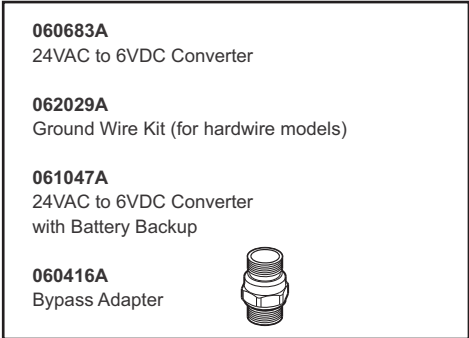
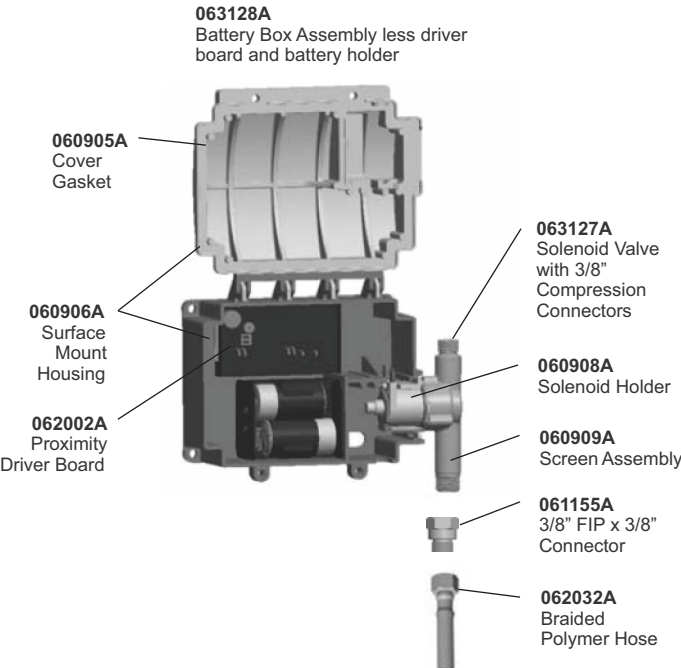
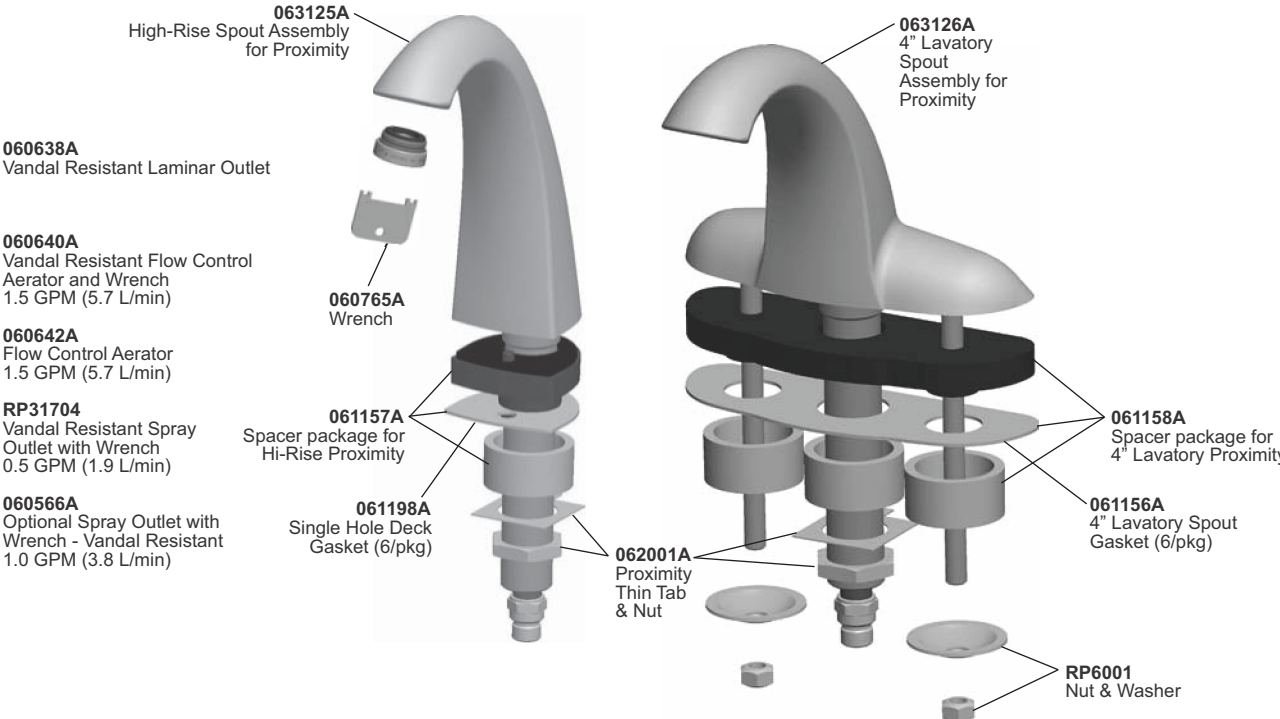
**061047A**  
24VAC to 6VDC Converter with Battery Backup

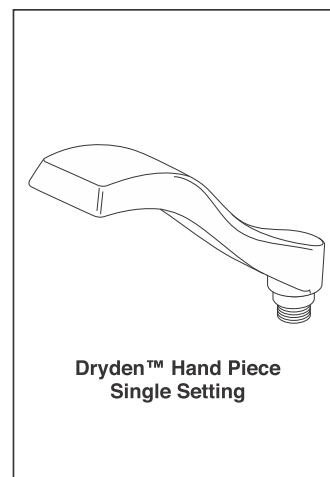
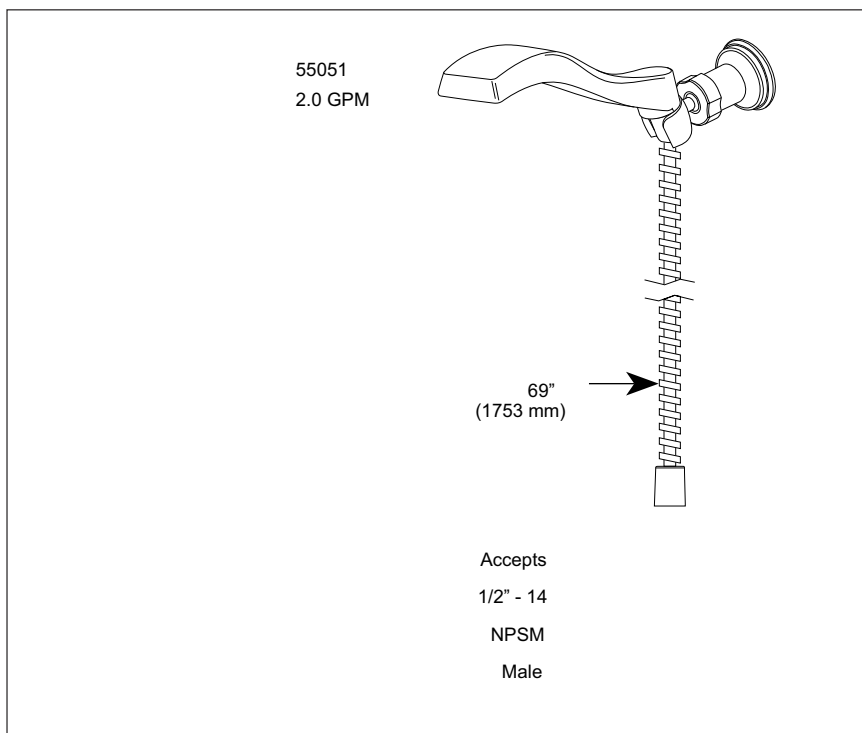


**Complementary Commercial Lav Faucet  
with Proximity (Riser)**
**590TP1120**
**Technical Specification Sheet**


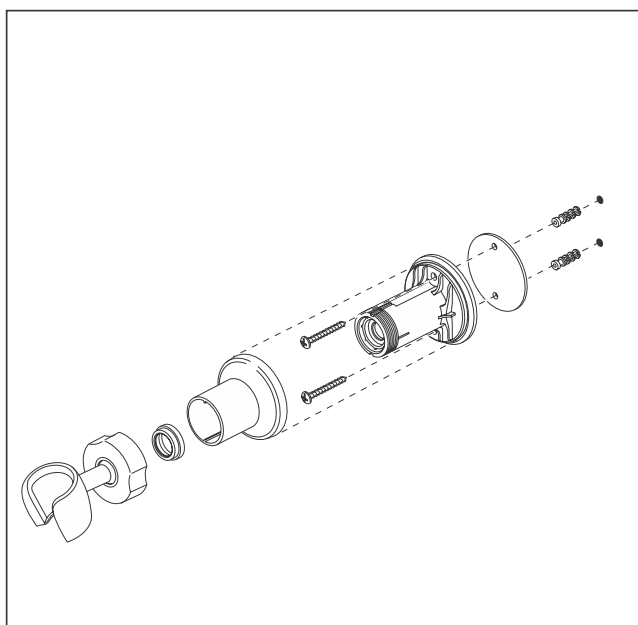
**Complementary Commercial Lav Faucet with Proximity (Riser)**

**590TP1120**

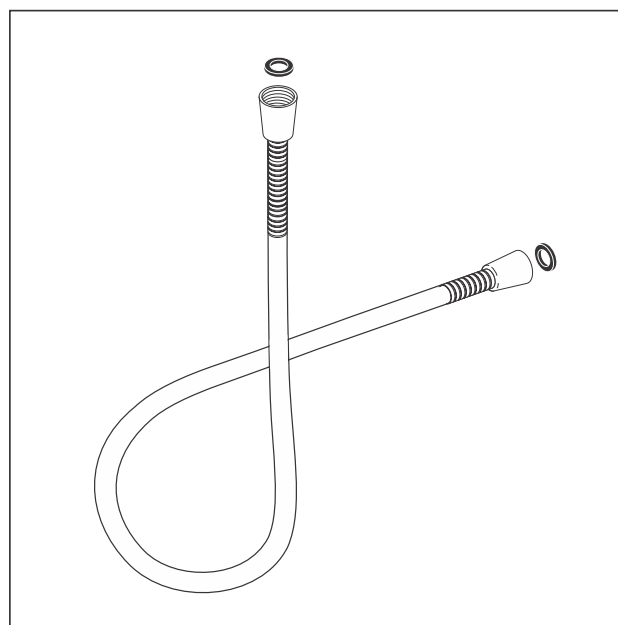


**Technical Specification Sheet**


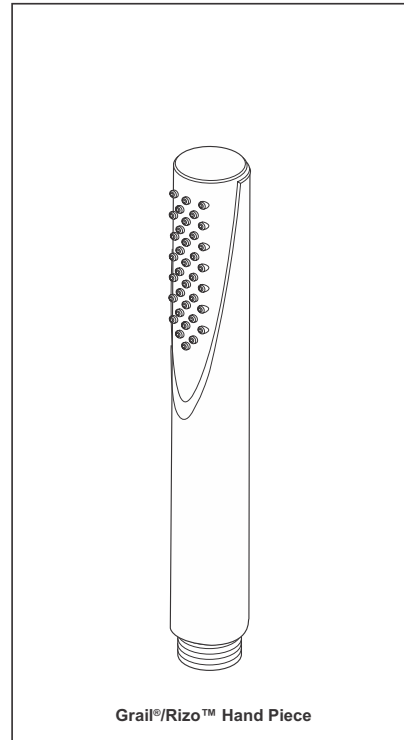
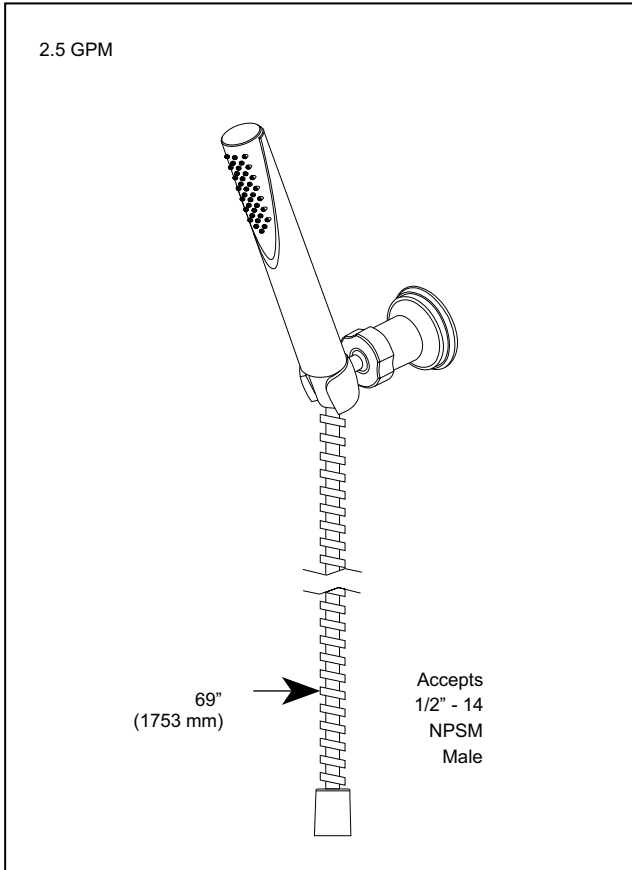
RP52589  
HandHeldShower



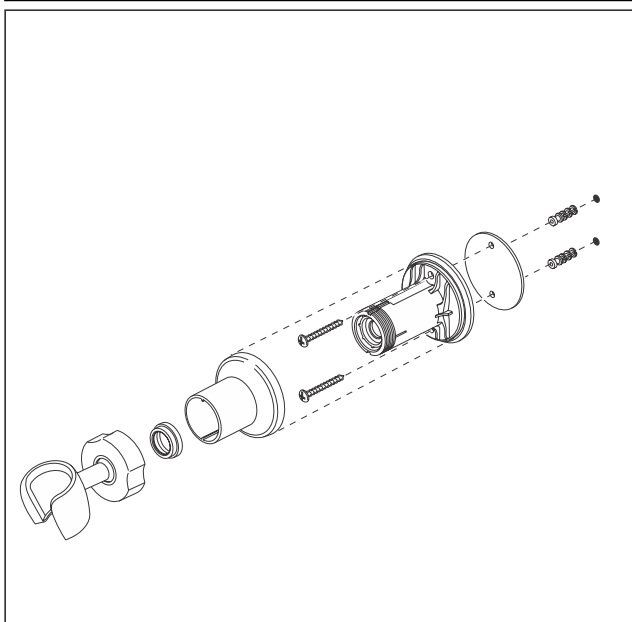
RP61294  
MountingBracket



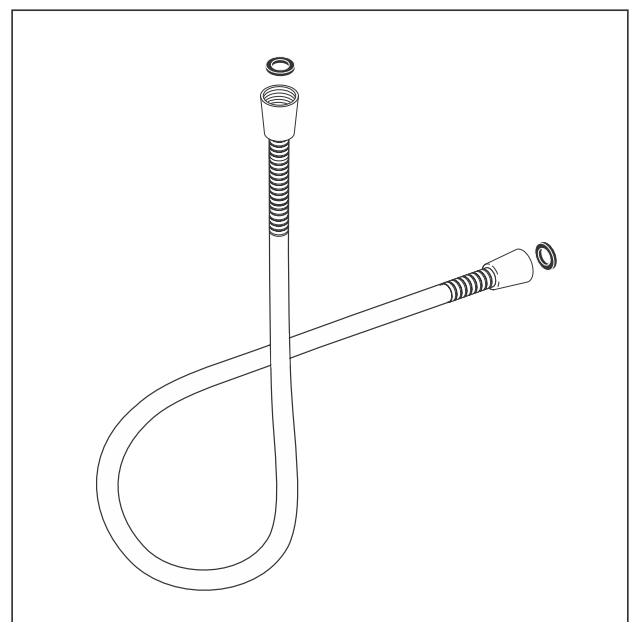
RP64157  
Hose&Gaskets

**Technical Specification Sheet**


RP44586  
HandHeldShower



RP61294  
MountingBracket

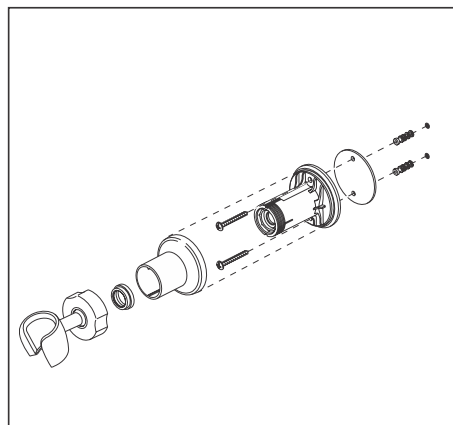
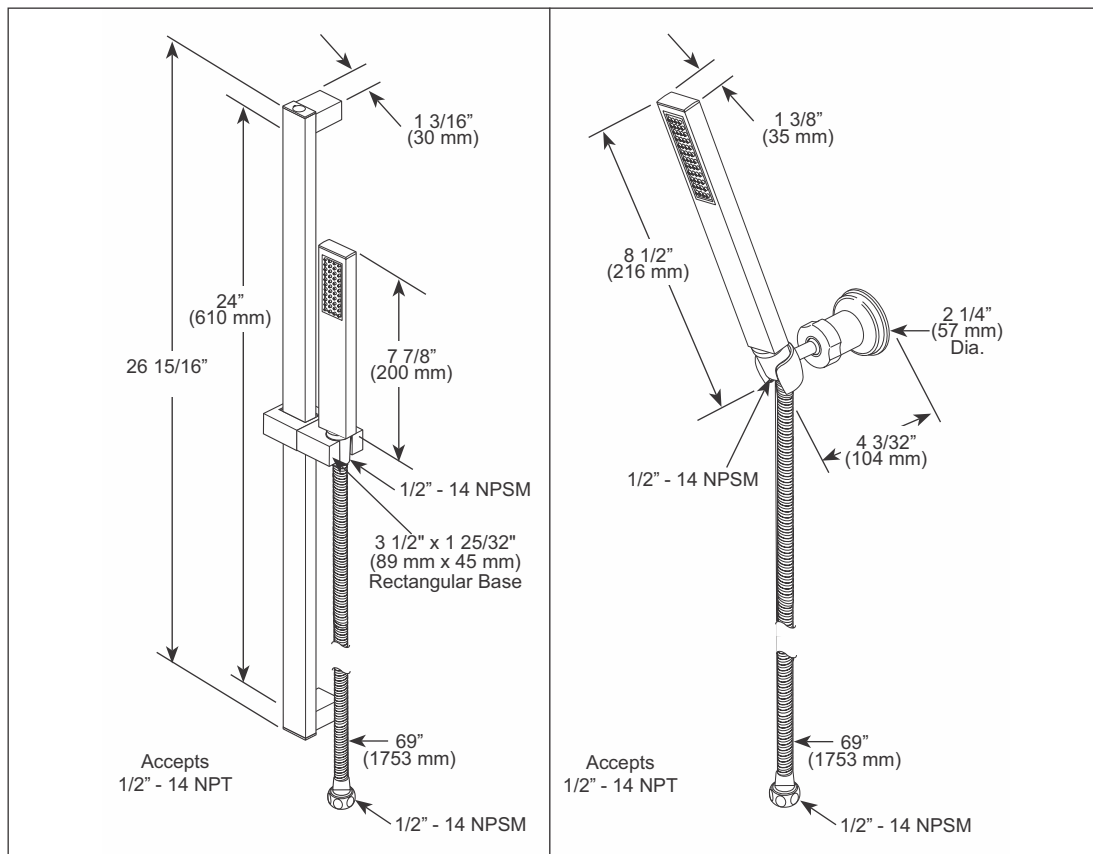


RP64157  
Hose&Gaskets

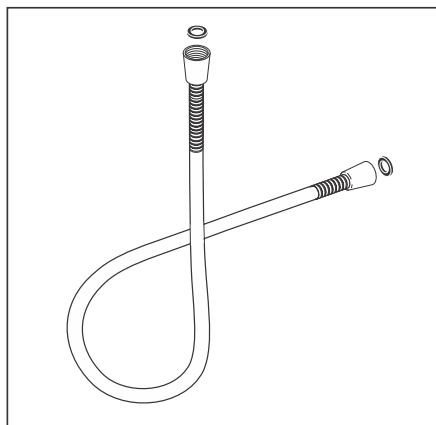
3-Function Handshower with H2Ok kinetic less  
Hose and Bracket

55433

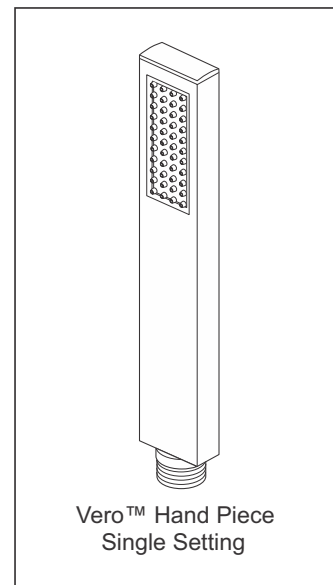
Technical Specification Sheet



RP61294  
Mounting Bracket



RP64157  
Hose & Gaskets

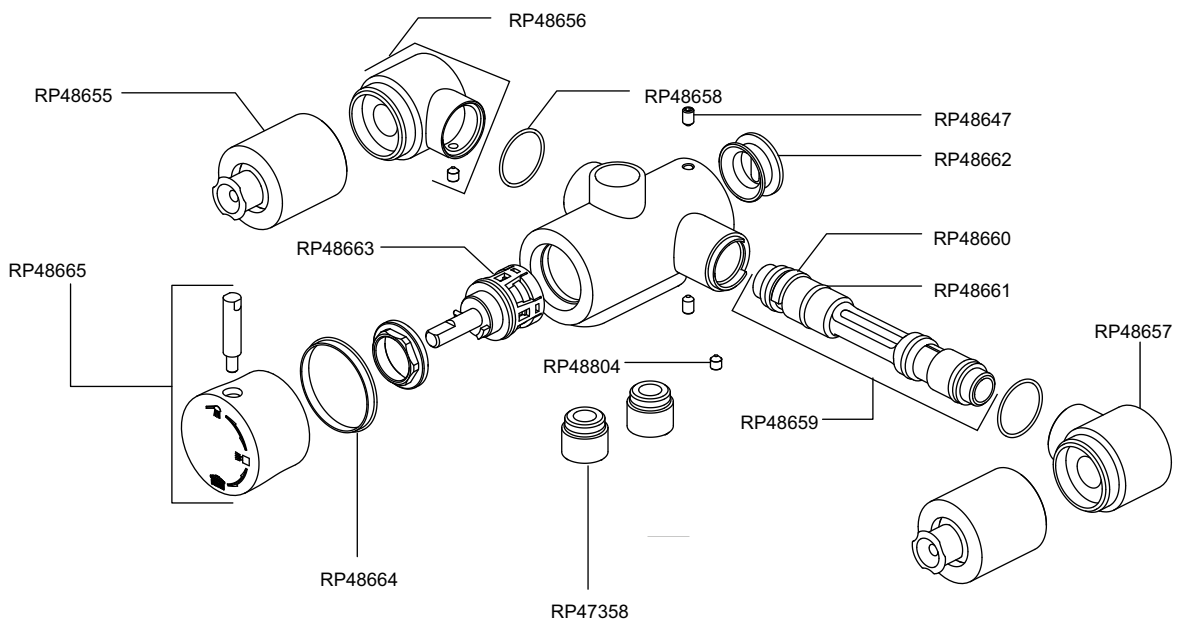
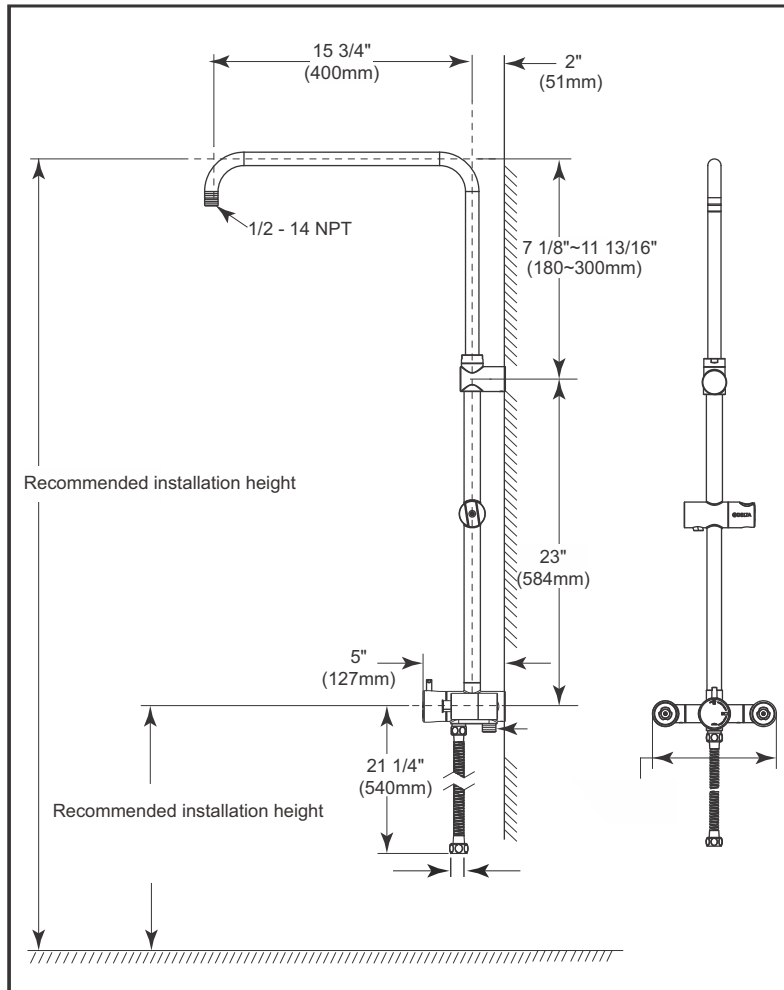


RP62954  
Hand Held Shower

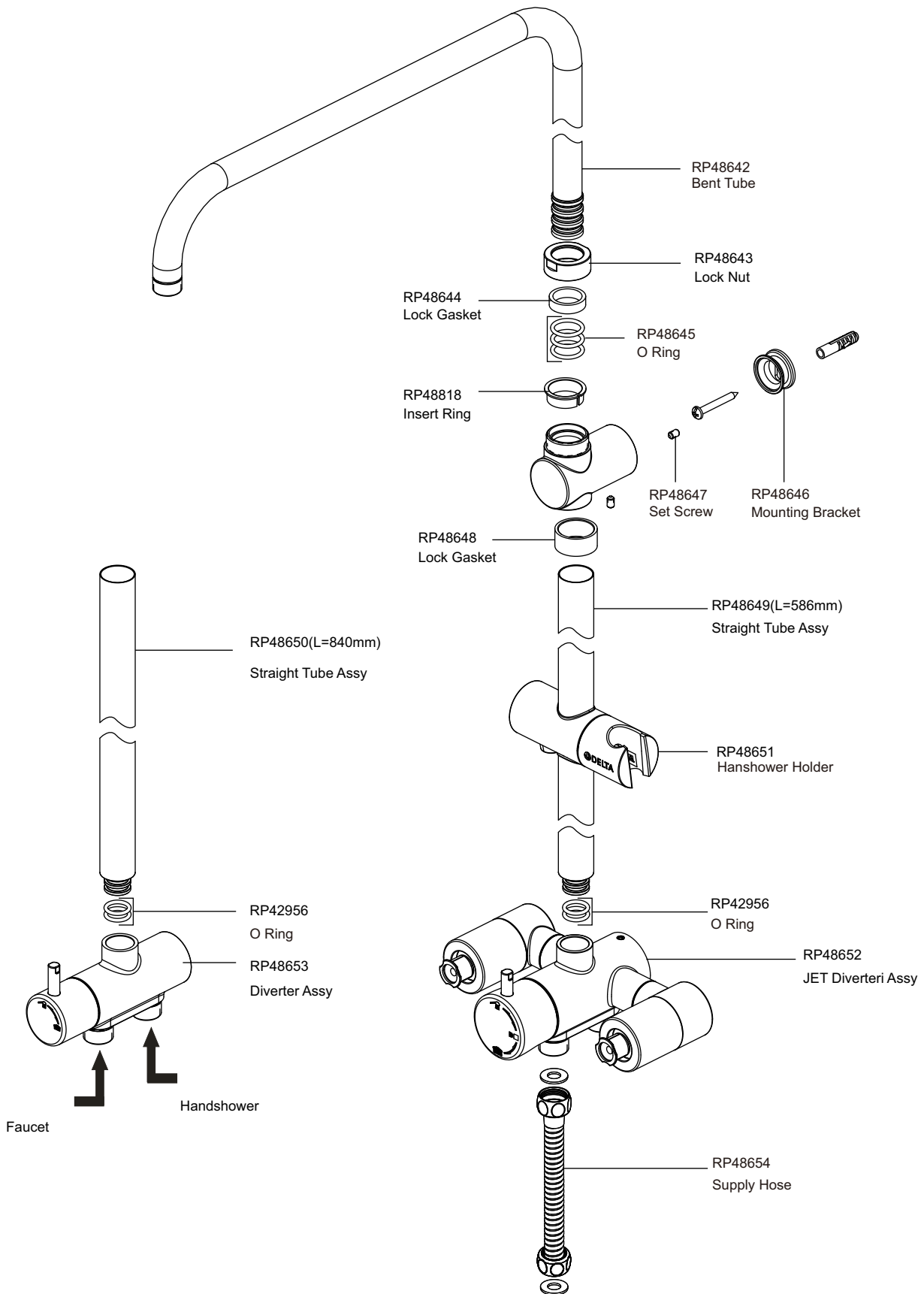
Jetted Shower Column

ISP00003

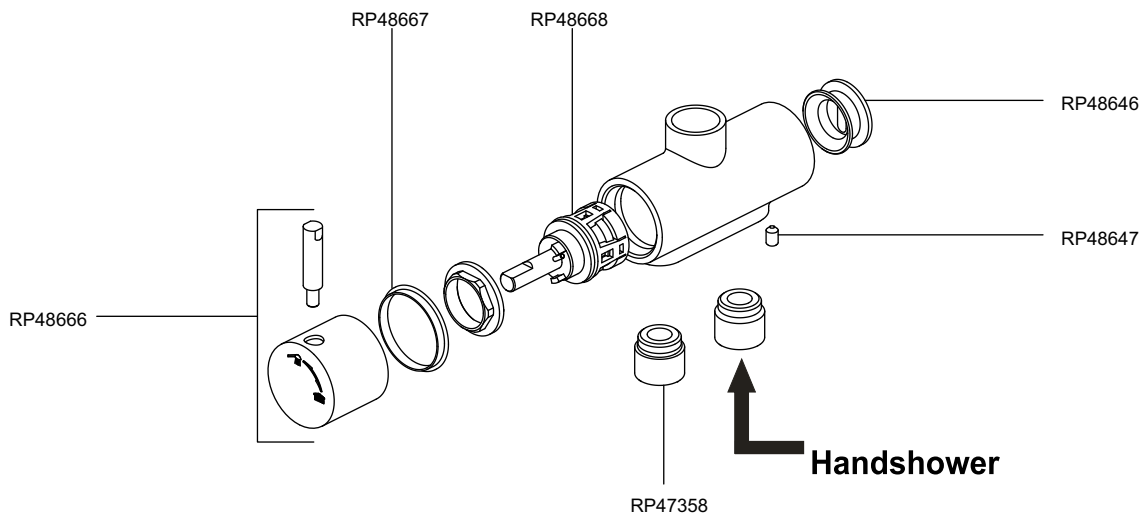
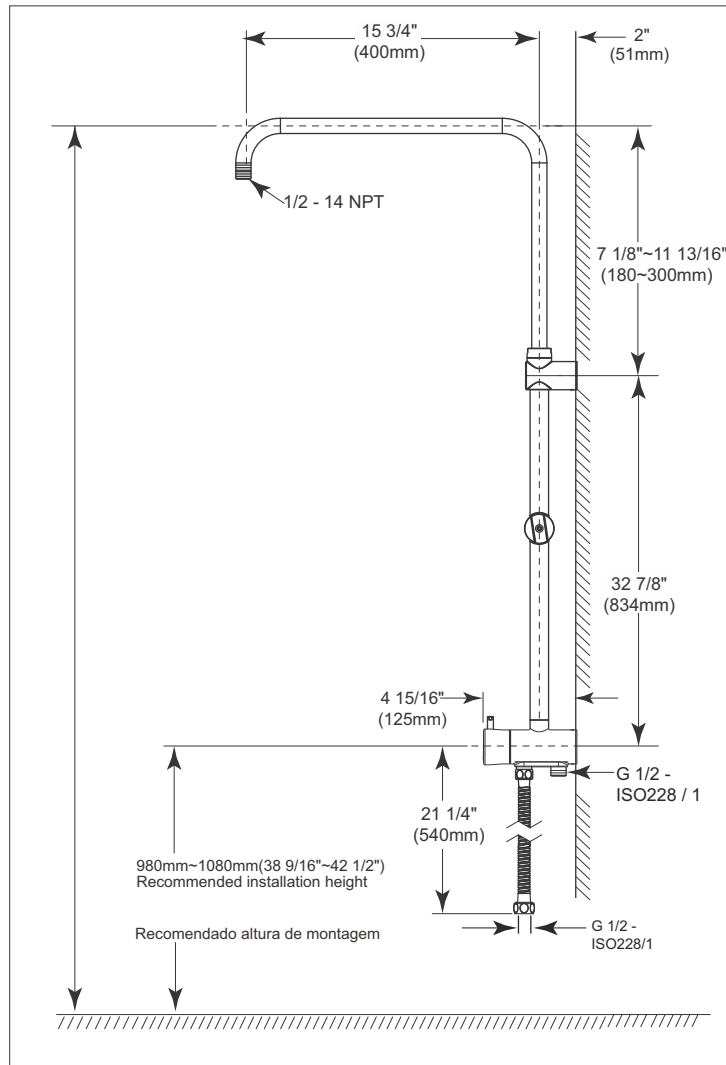
Technical Specification Sheet

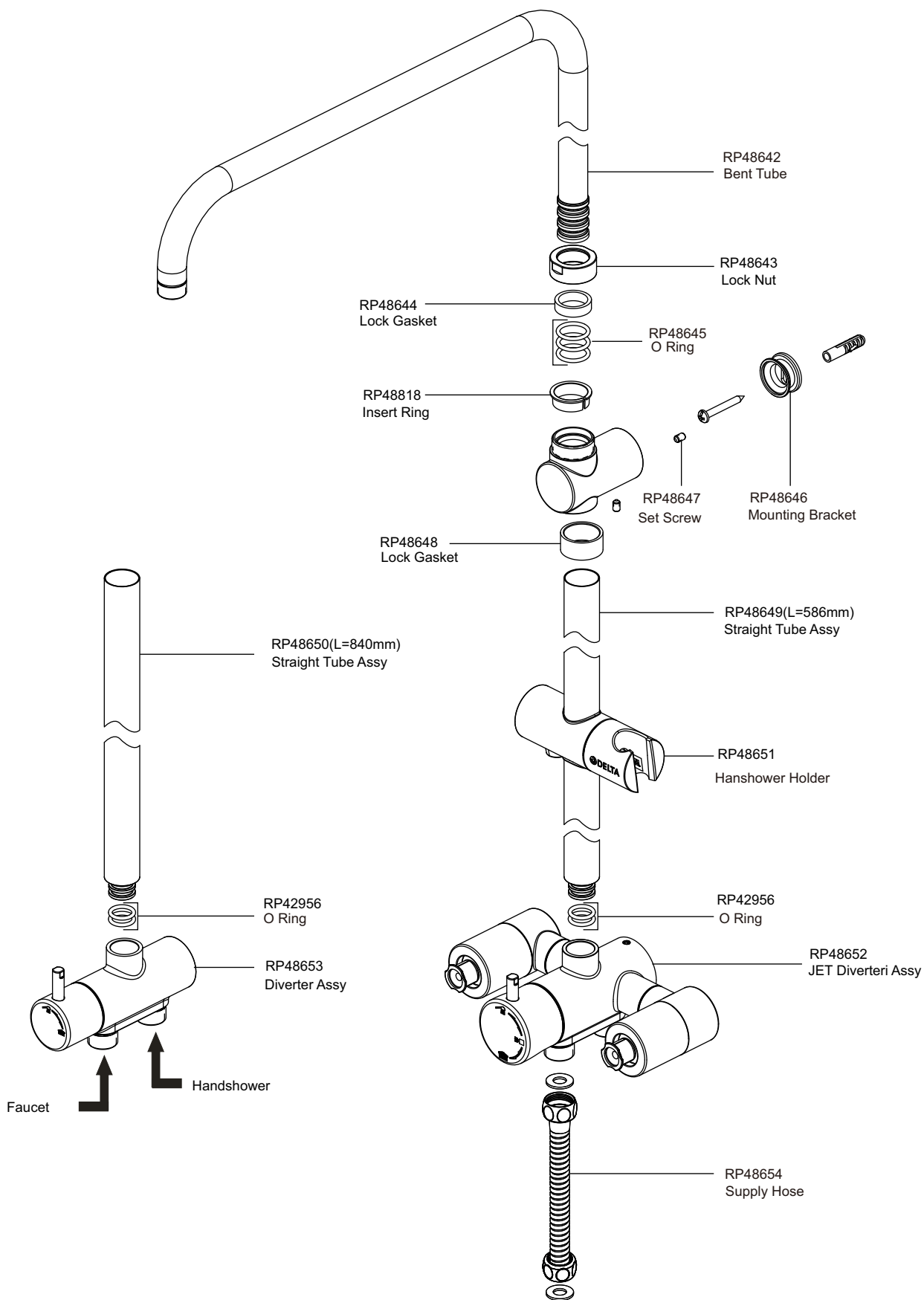


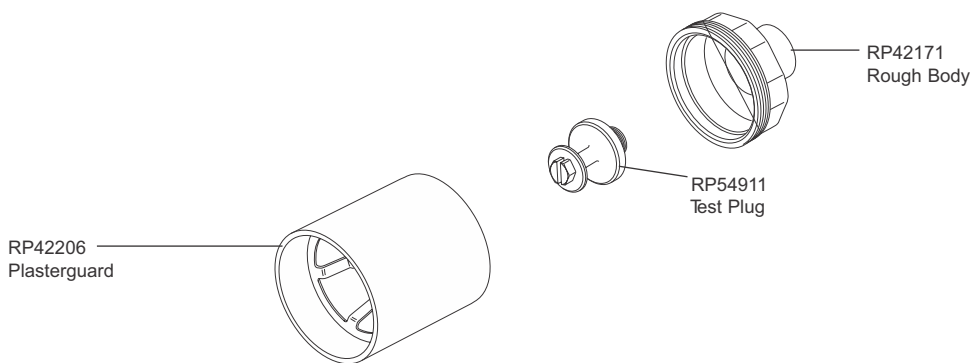
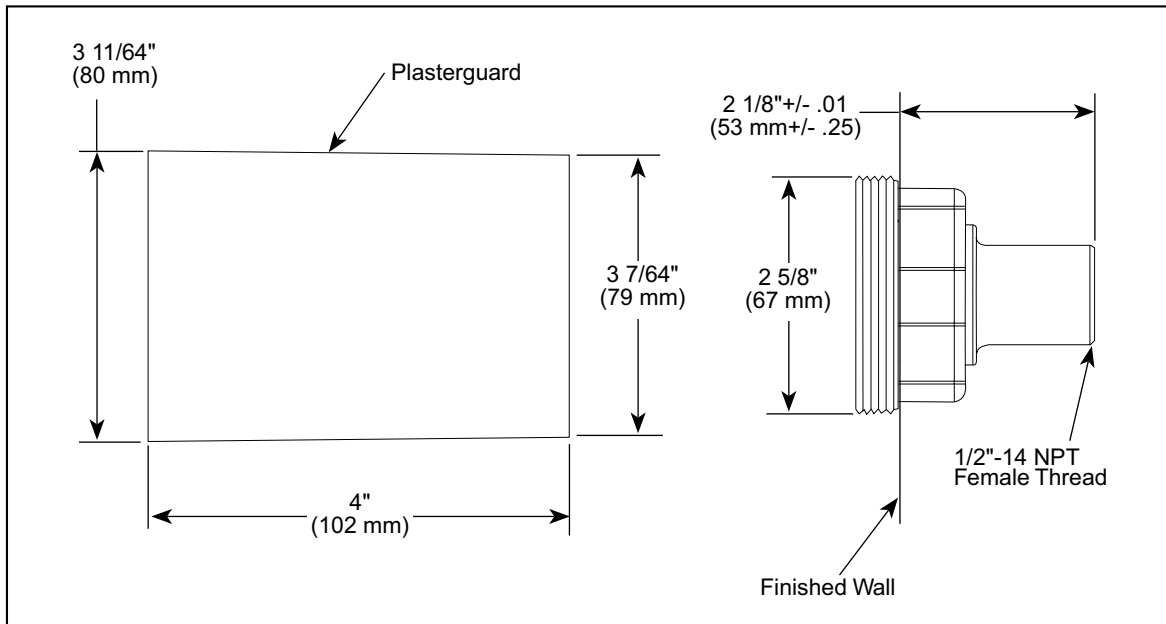


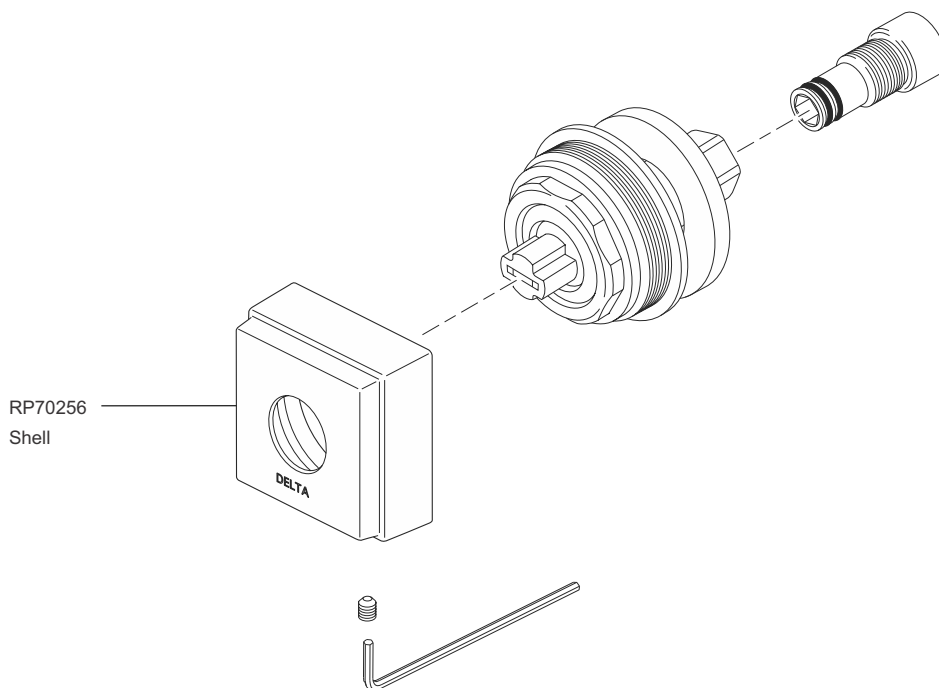
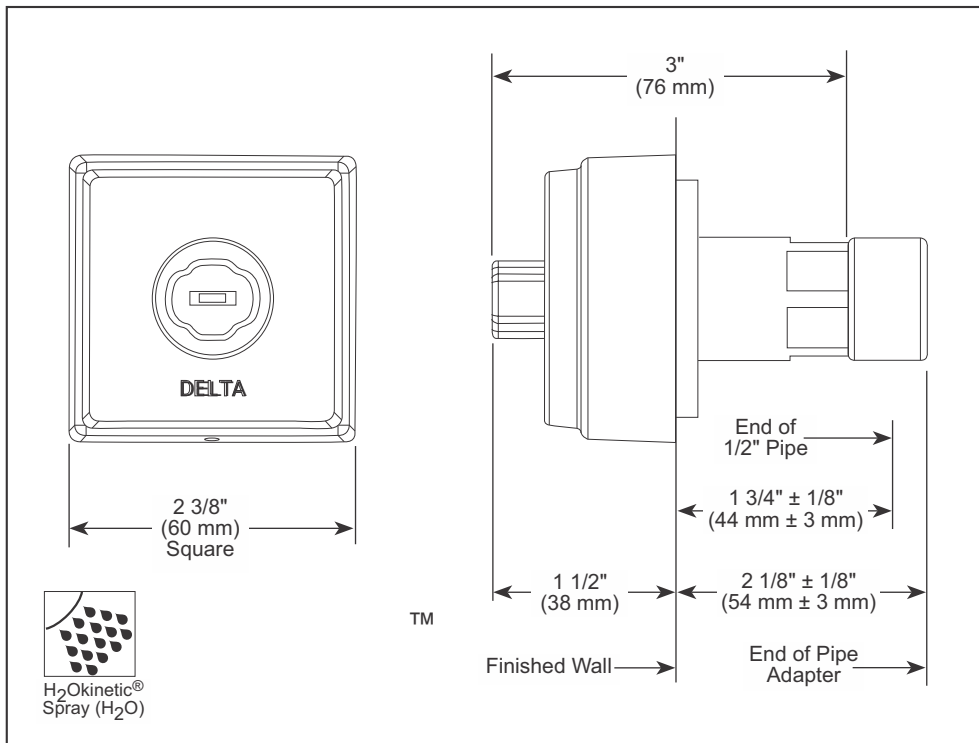


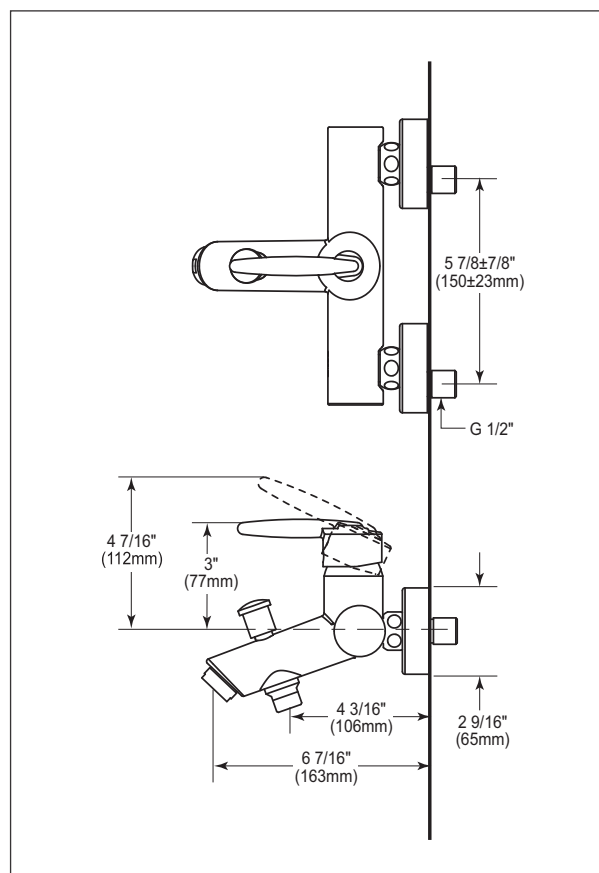
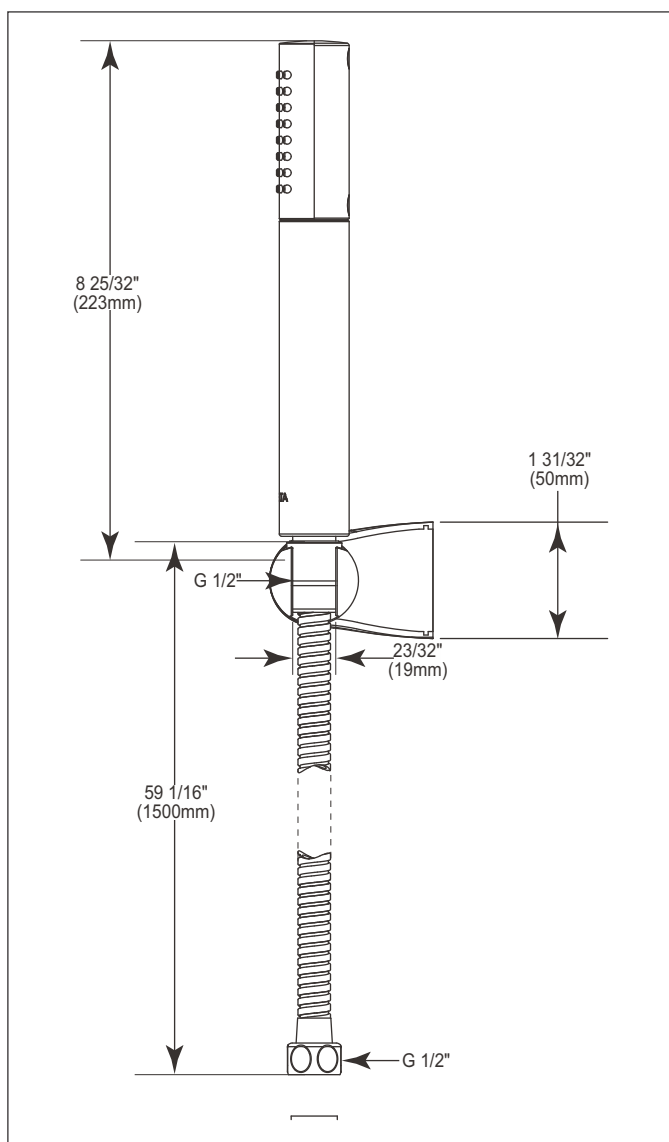
Technical Specification Sheet



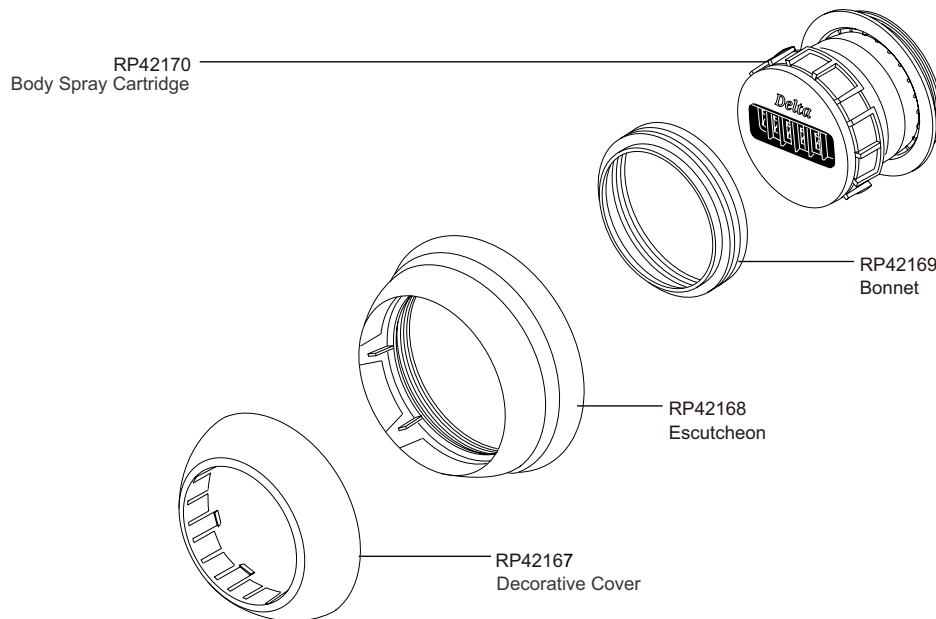
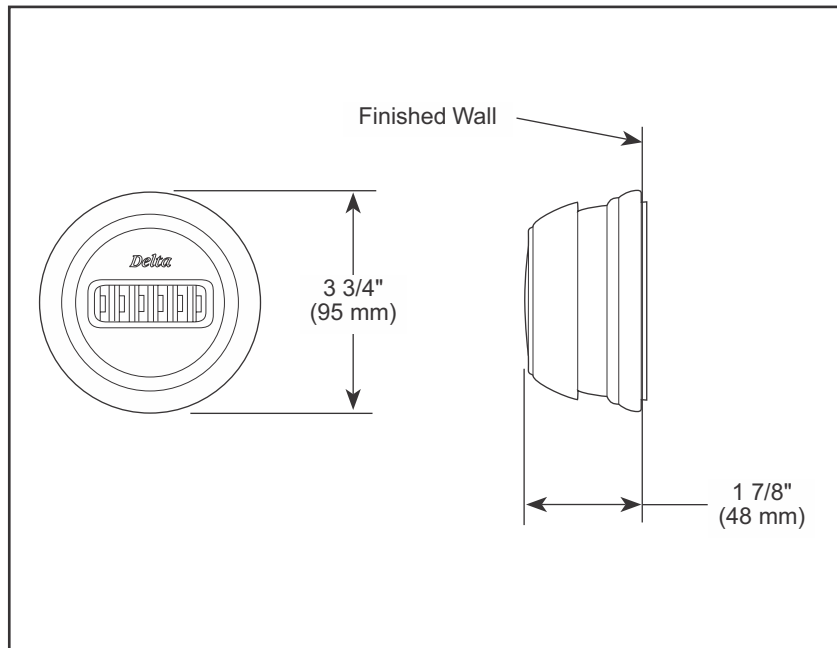


**Technical Specification Sheet**


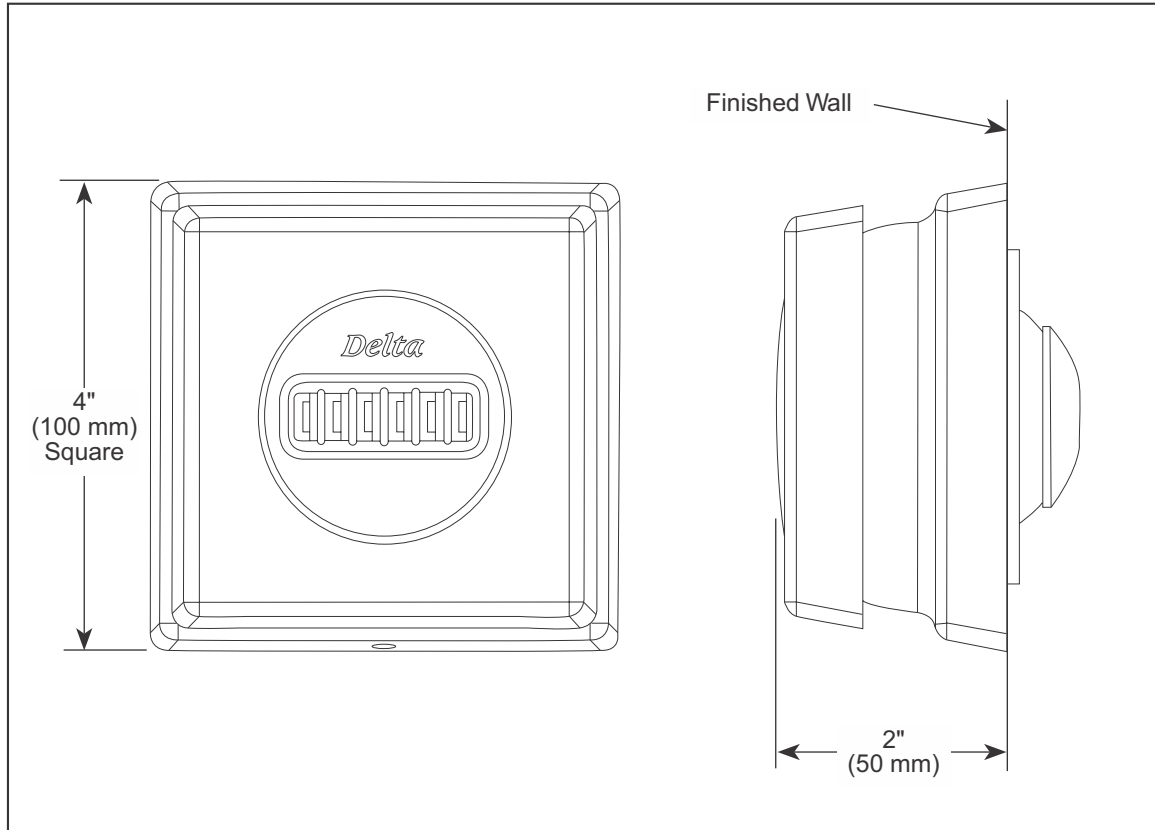
**Technical Specification Sheet**


**Handshower Single Function with  
Hose and Bracket only**
**S350-CH**
**Technical  
Specification  
Sheet**


## Technical Specification Sheet

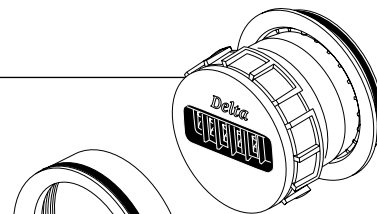


Technical Specification Sheet

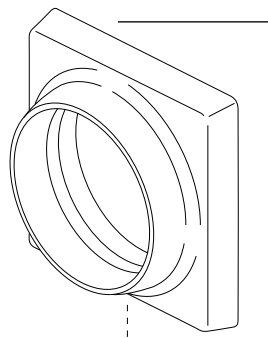


RP42170  
Body Spray Cartridge

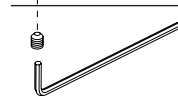
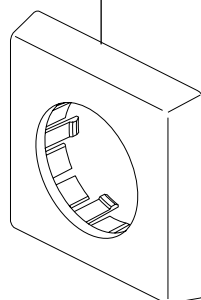
RP70259  
Decorative Cover



RP70257  
Bonnet

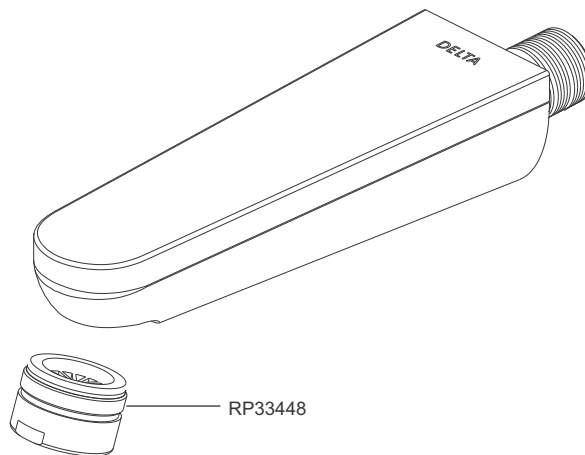
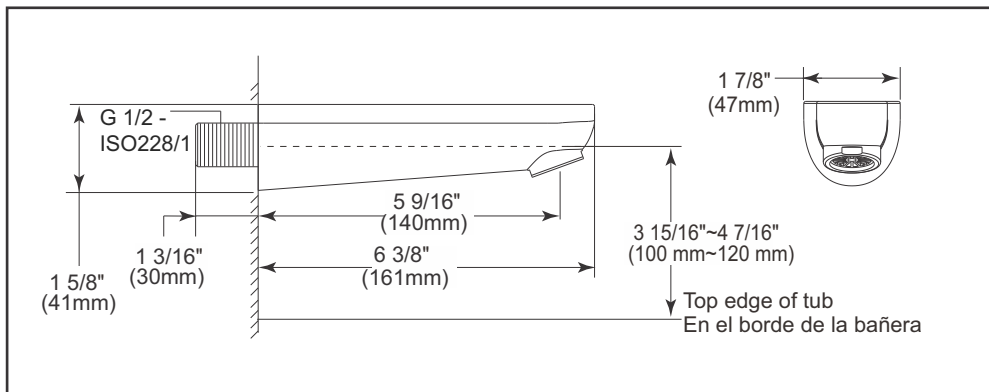
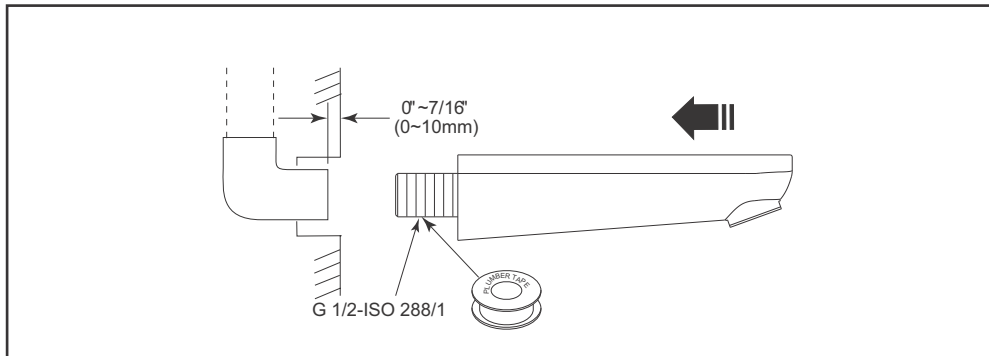


RP70258  
Escutcheon

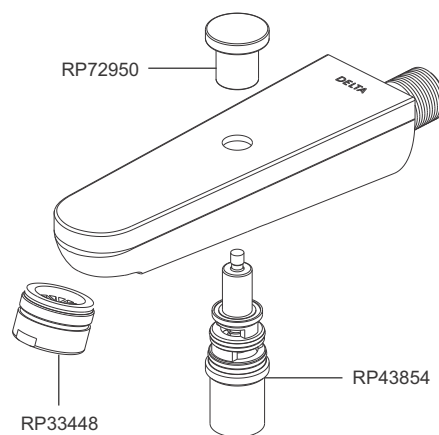
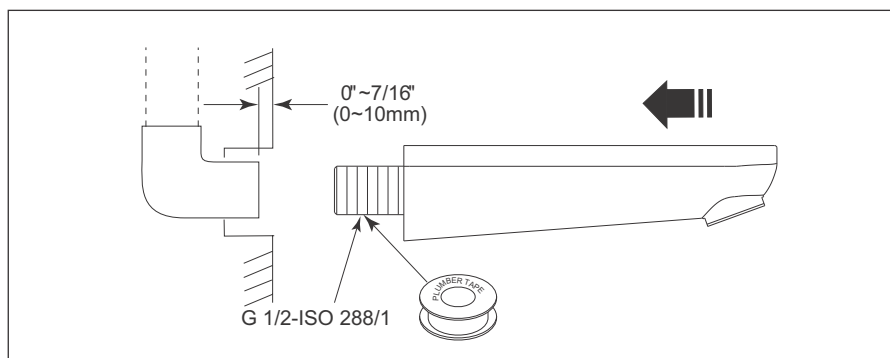
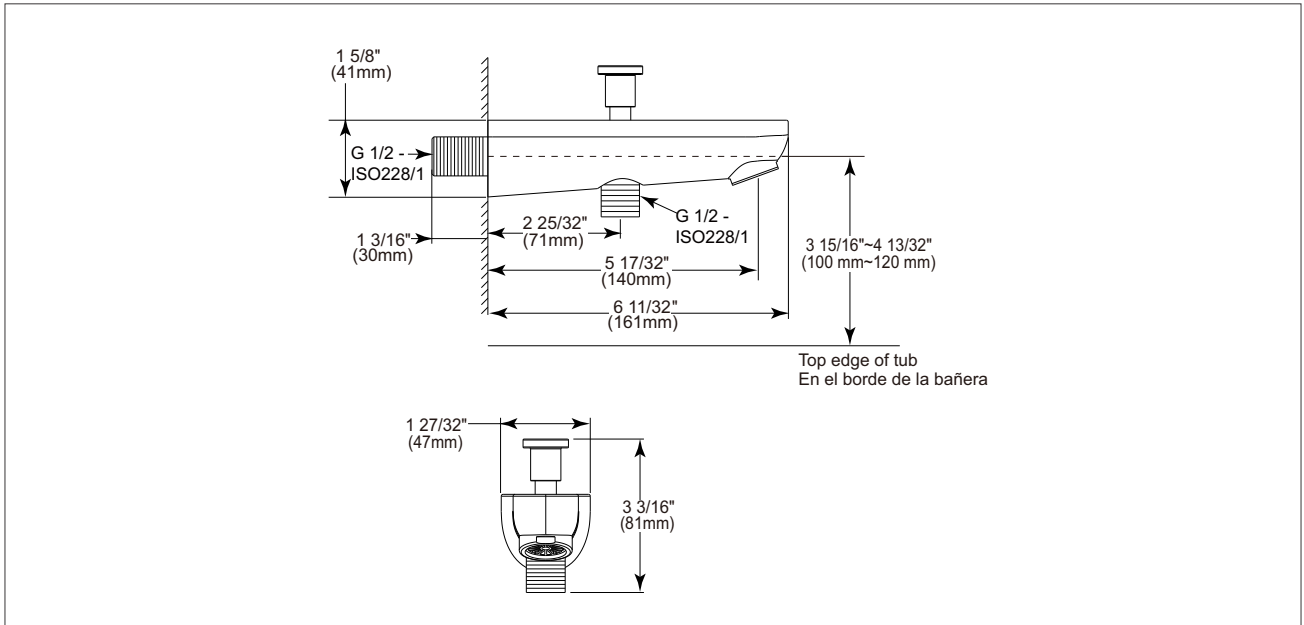


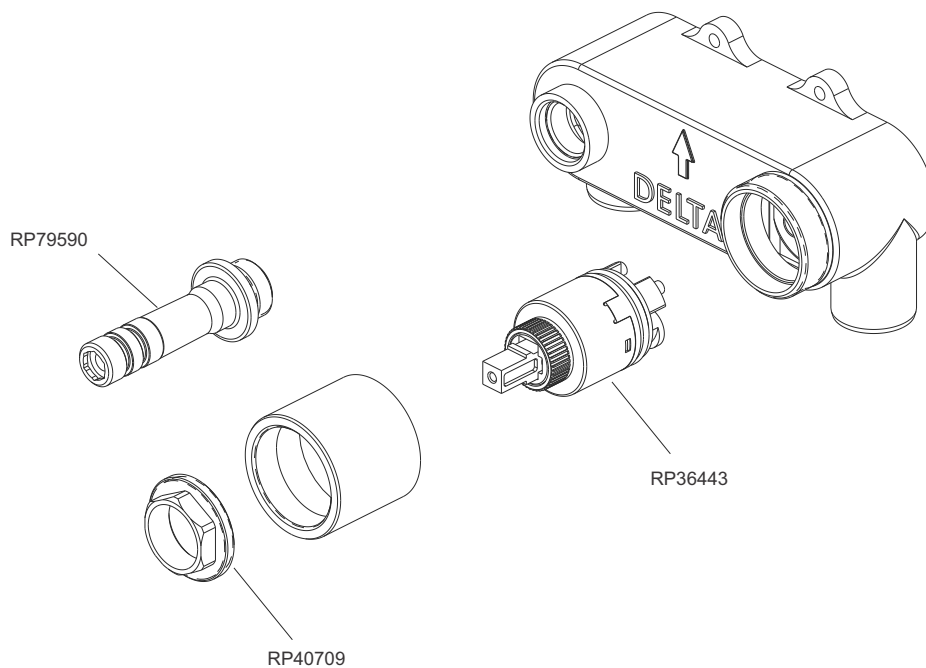
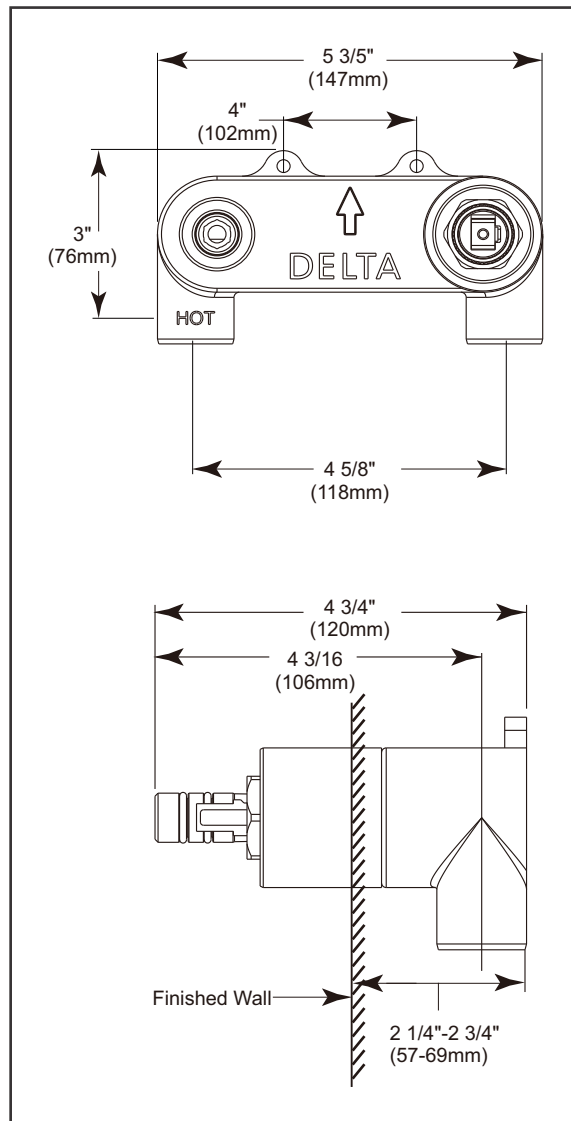
RP72160  
Set Screw & Wrench



**Technical Specification Sheet**


Technical Specification Sheet



**Technical  
Specification Sheet**


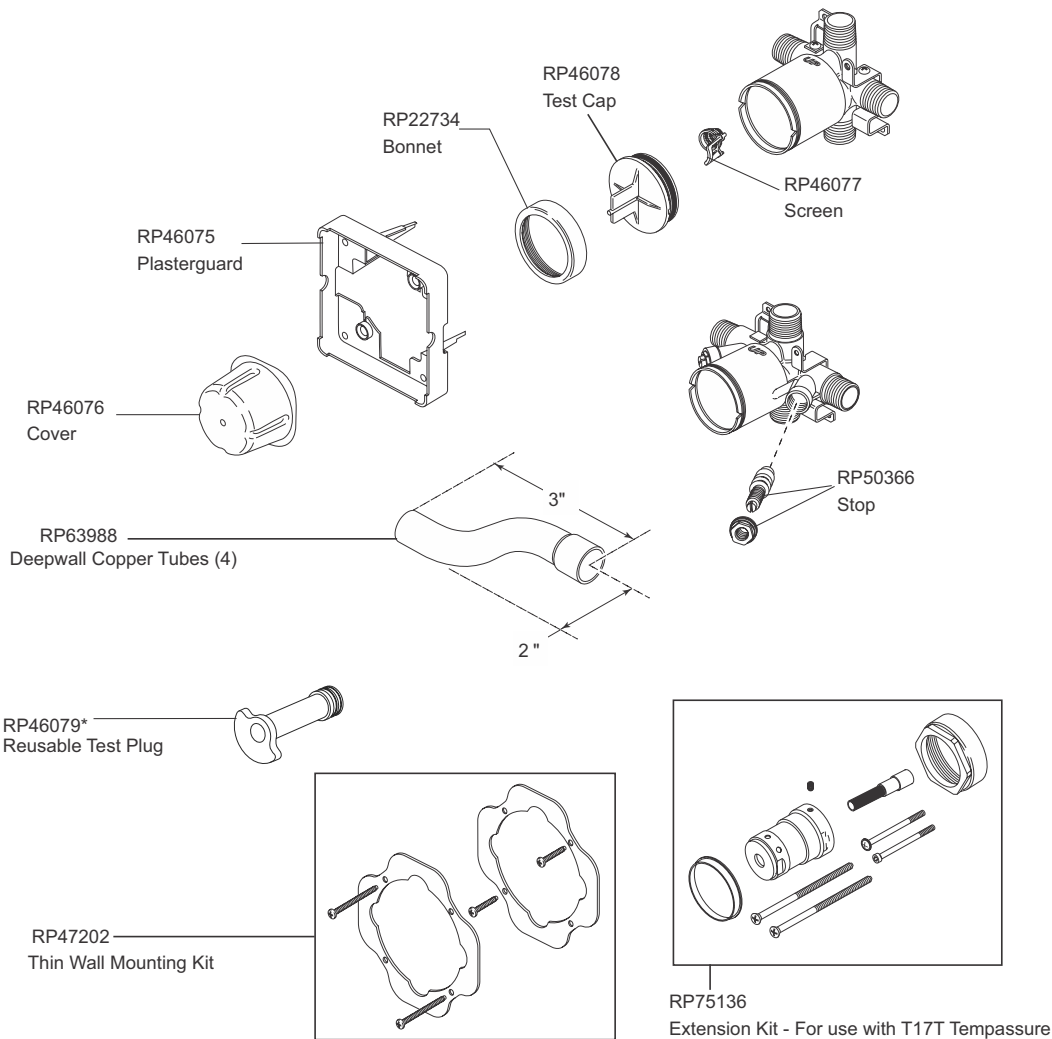
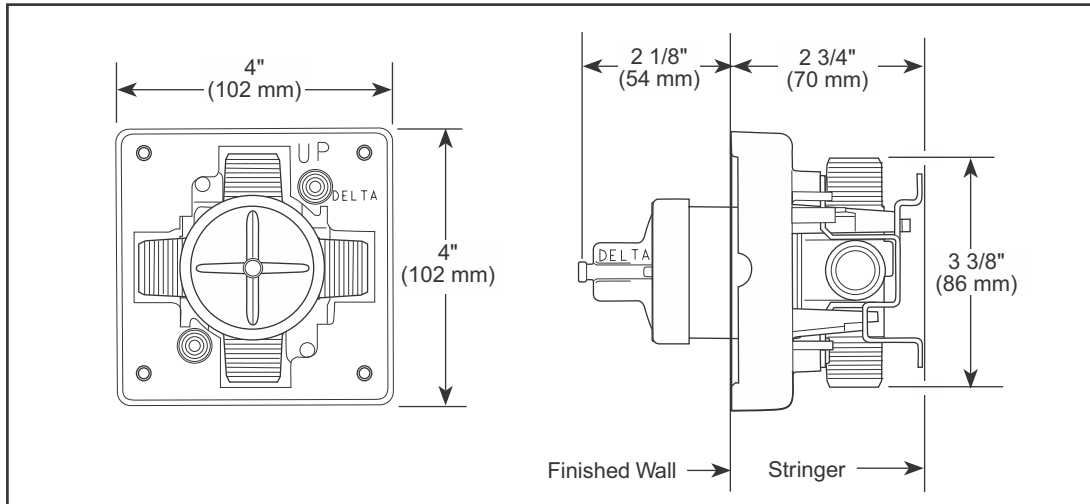


# COMPLEMENTARY FOR DELTA

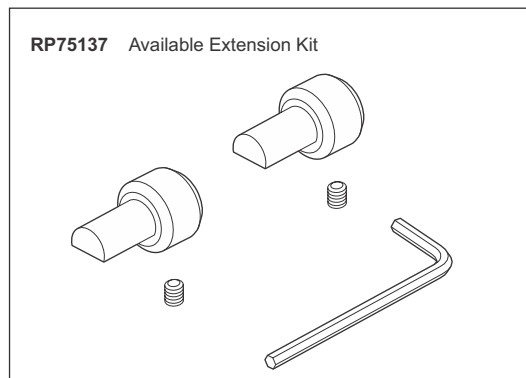
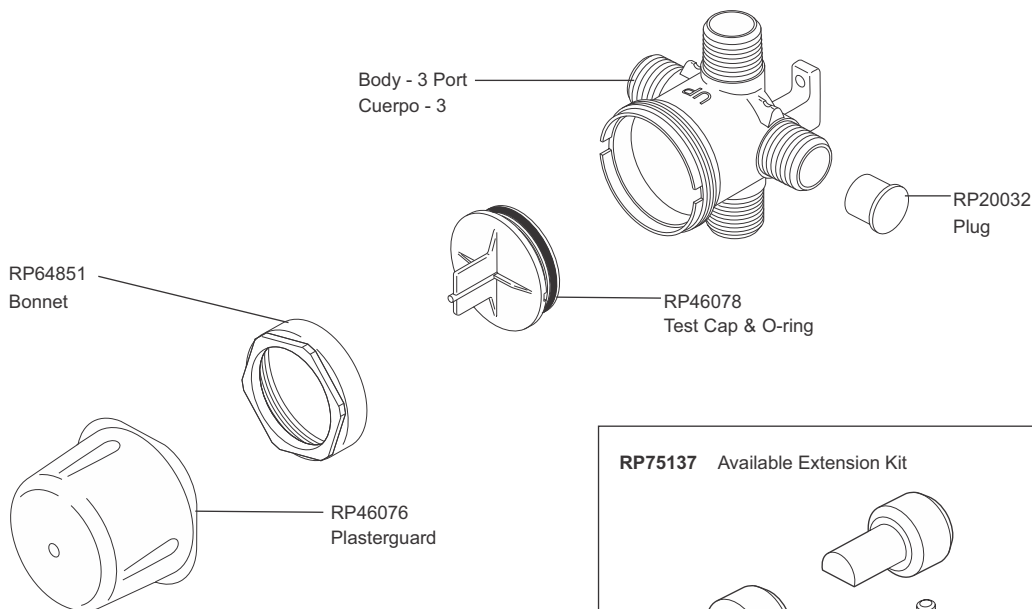
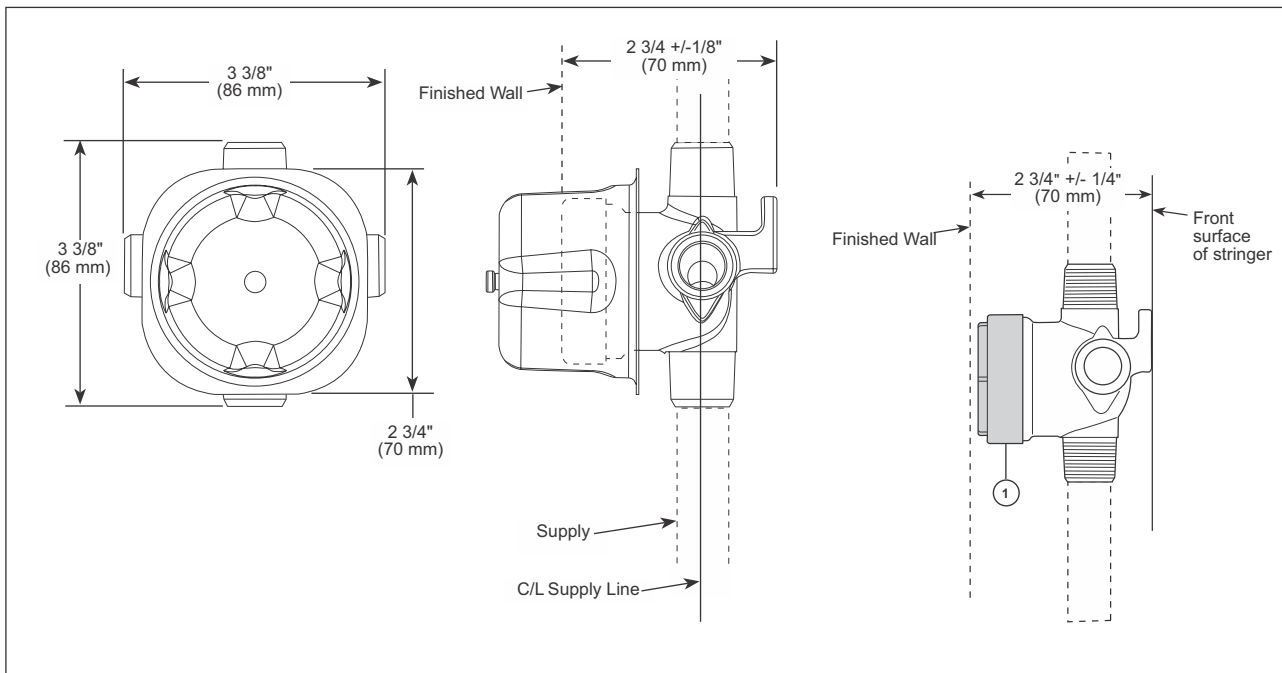
MultiChoice Universal Tub and Shower Valve  
Rough only, Medium Flow (Single Piece)

R10000-UNBX

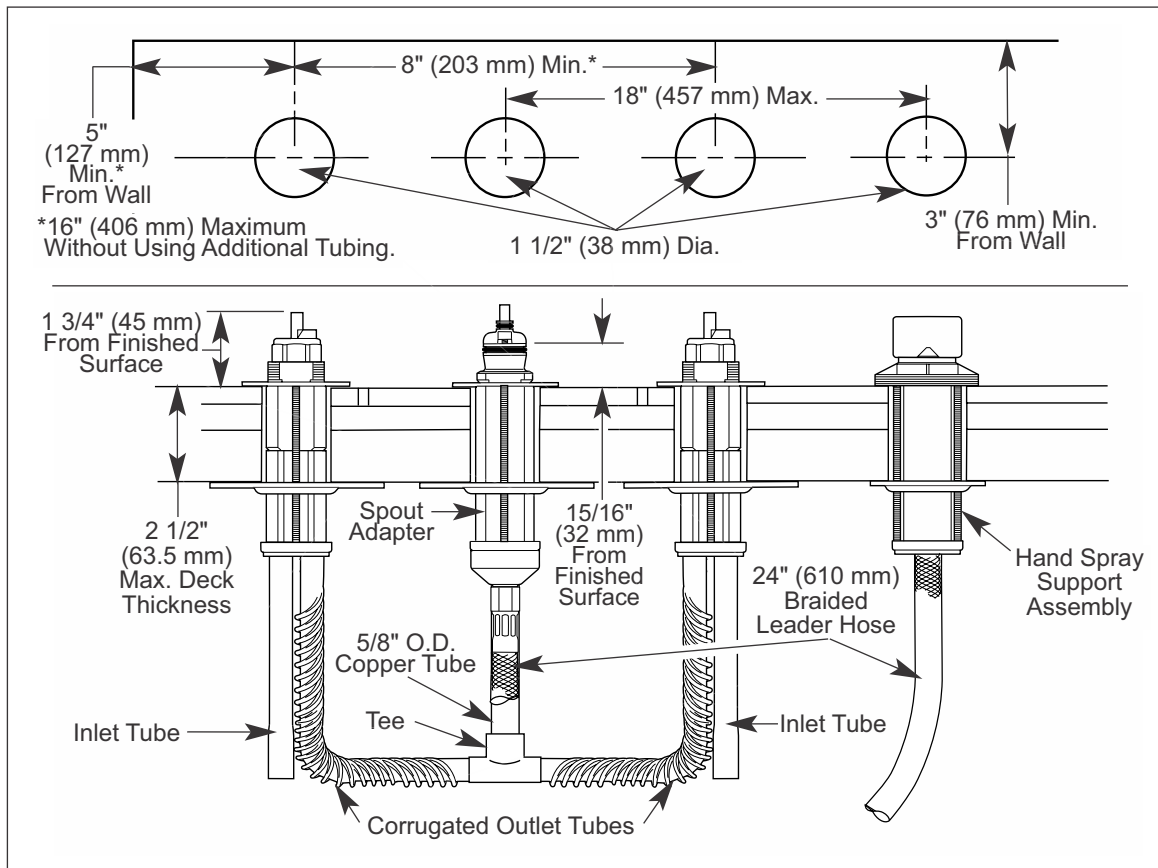
## Technical Specification Sheet

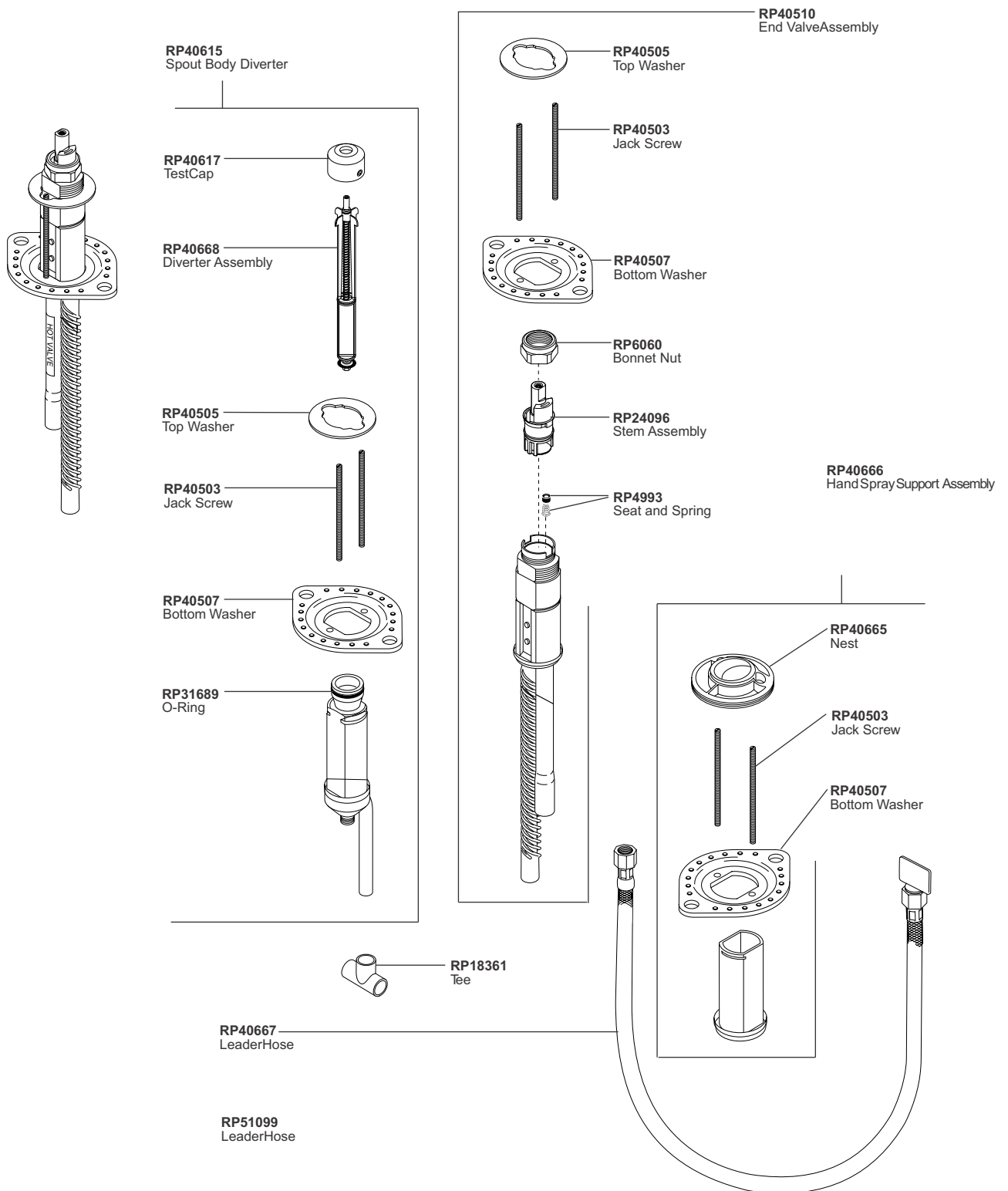


Technical Specification Sheet



Technical Specification Sheet

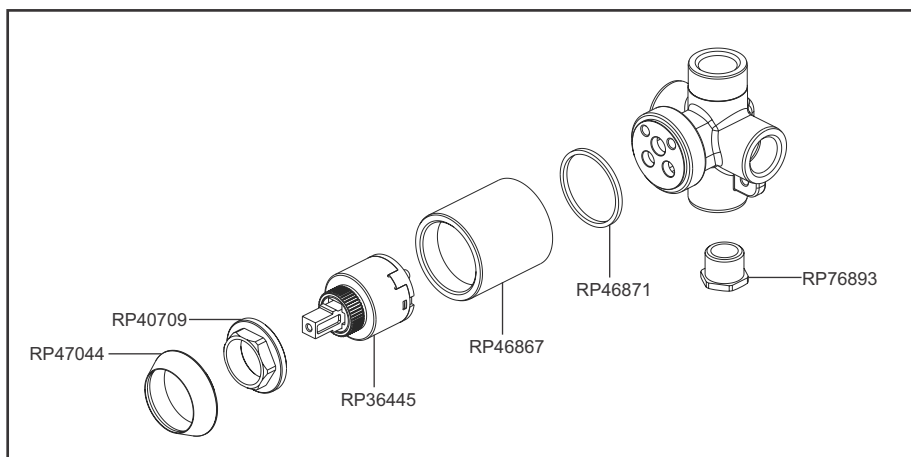
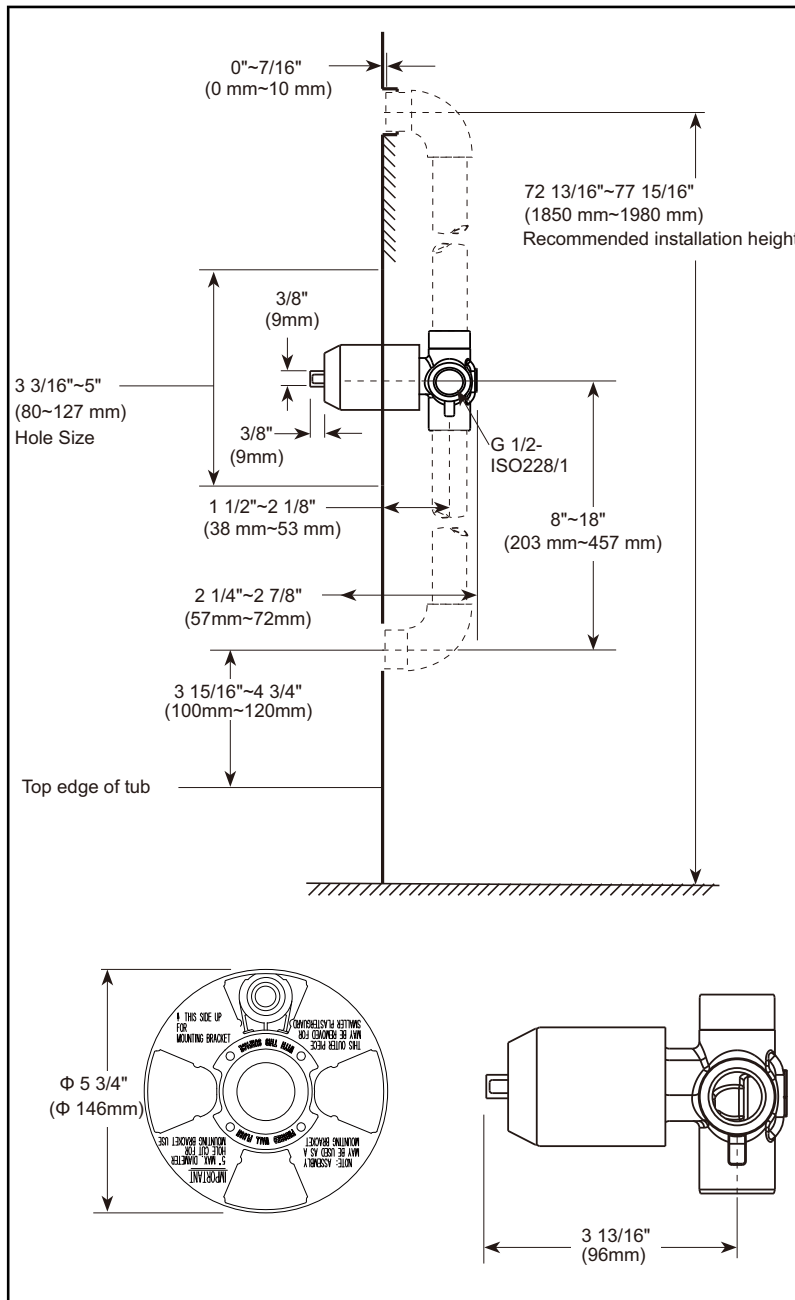




Shower only Mixing Valve Rough-in

R85200

Technical Specification Sheet

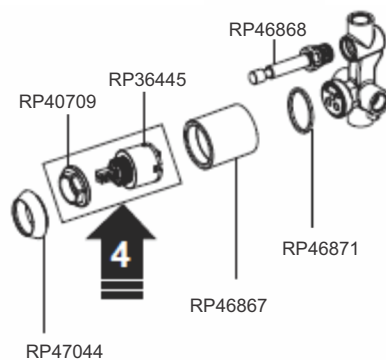
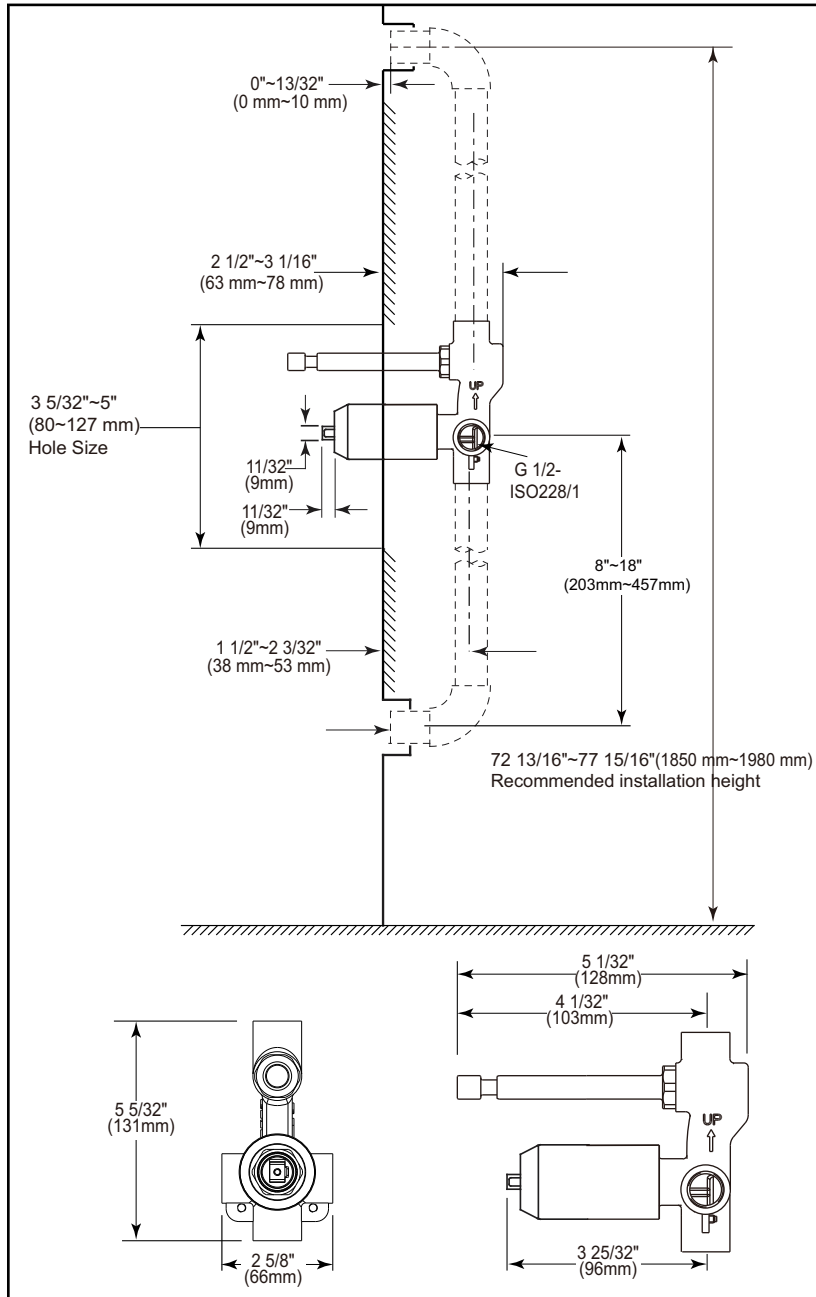




Rough only Mixing Valve, Medium Flow with Push-Button Diverter

R85300

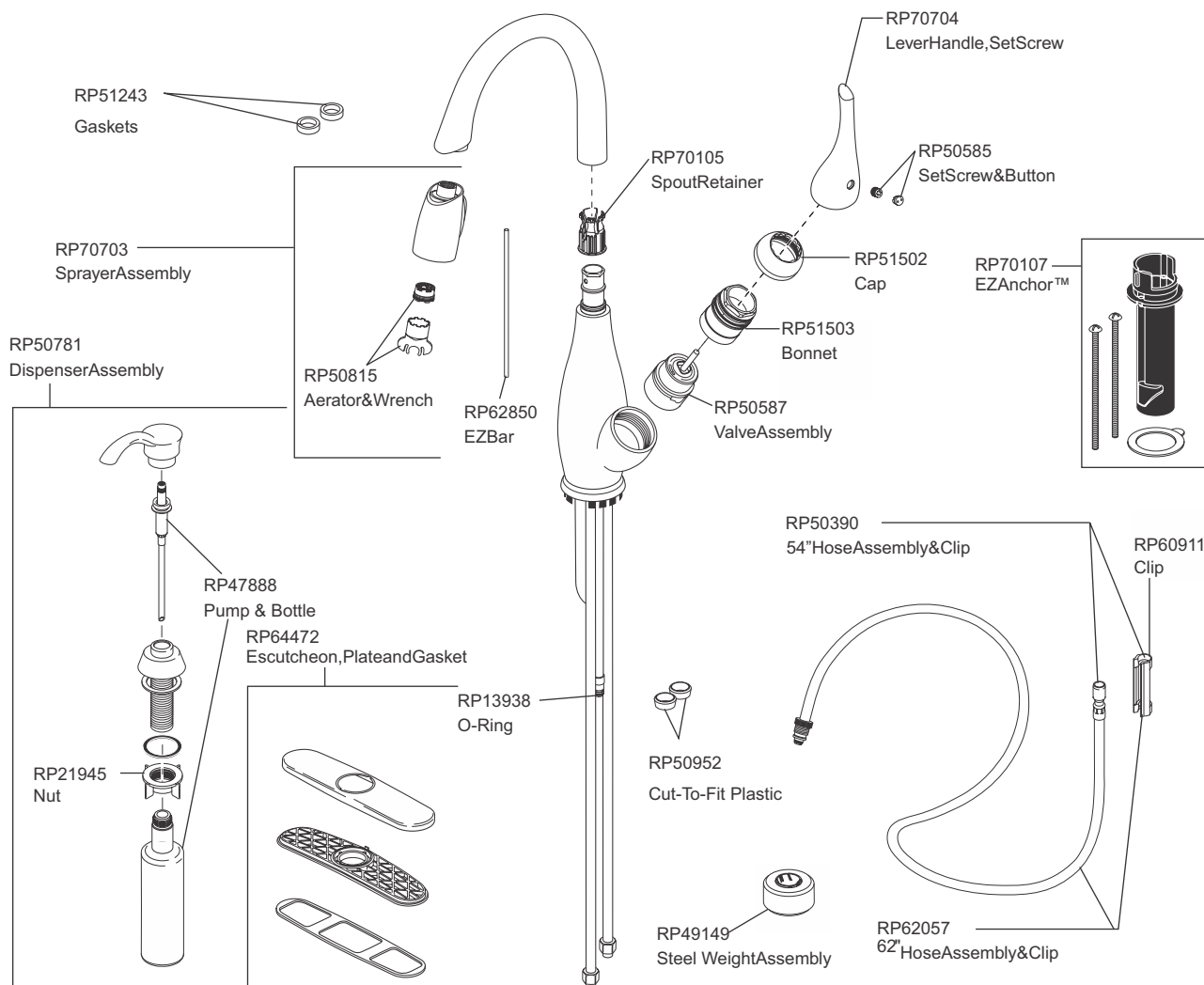
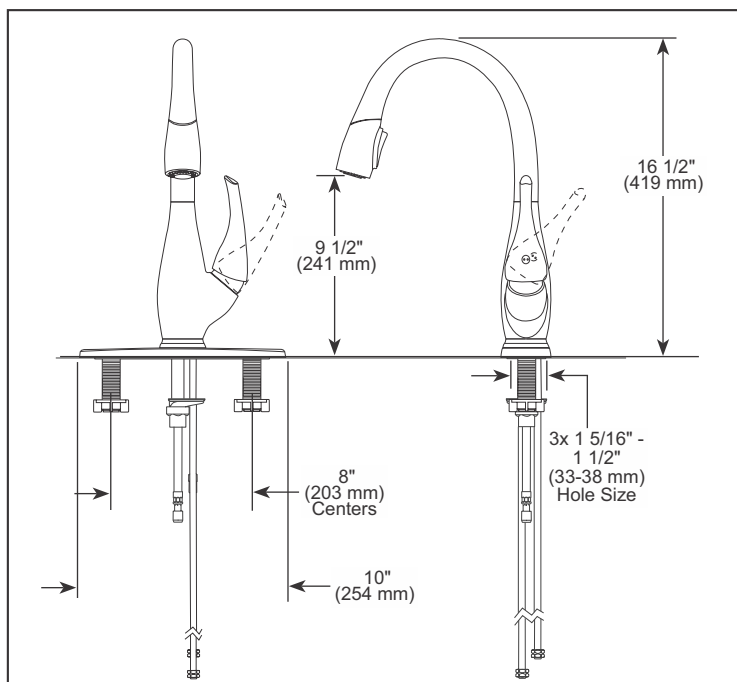
Technical Specification Sheet

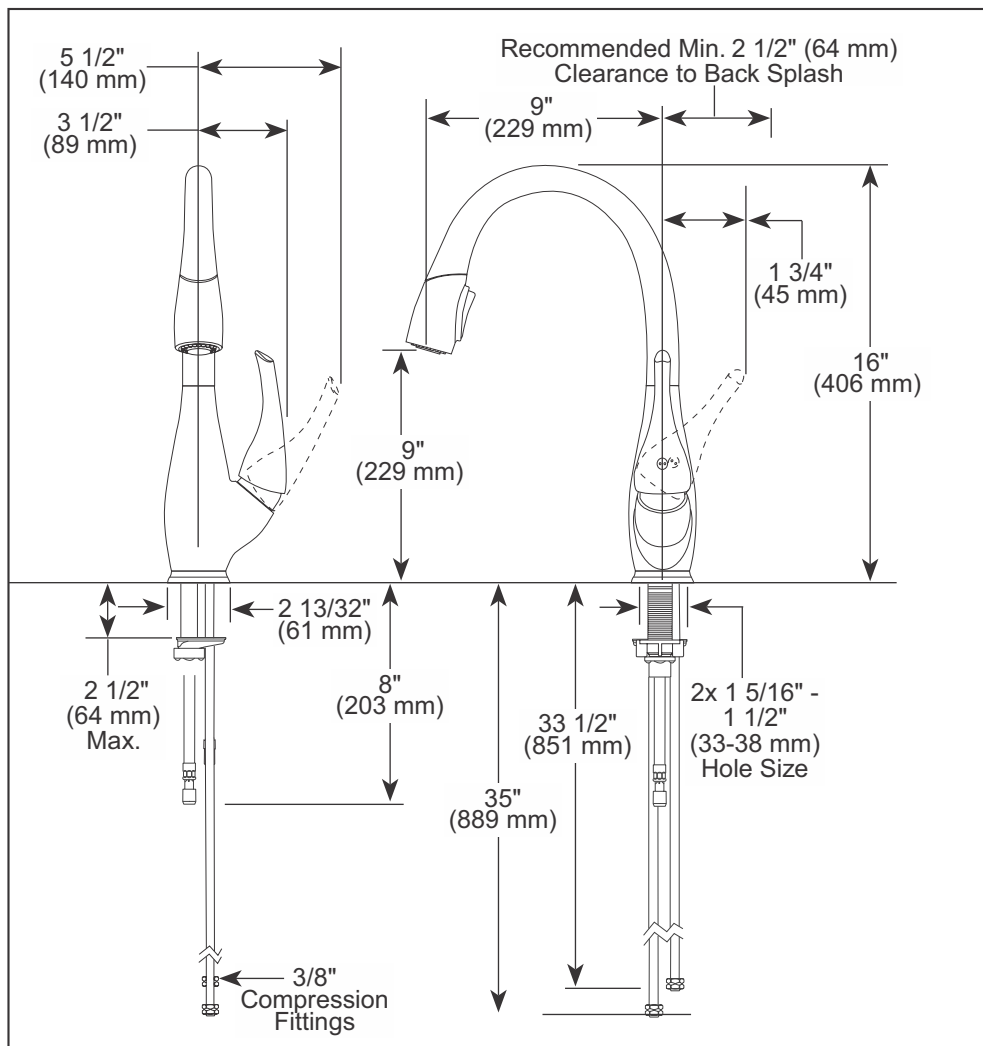


Fuse Pull-Down Kitchen Faucet

9158-SB-DST

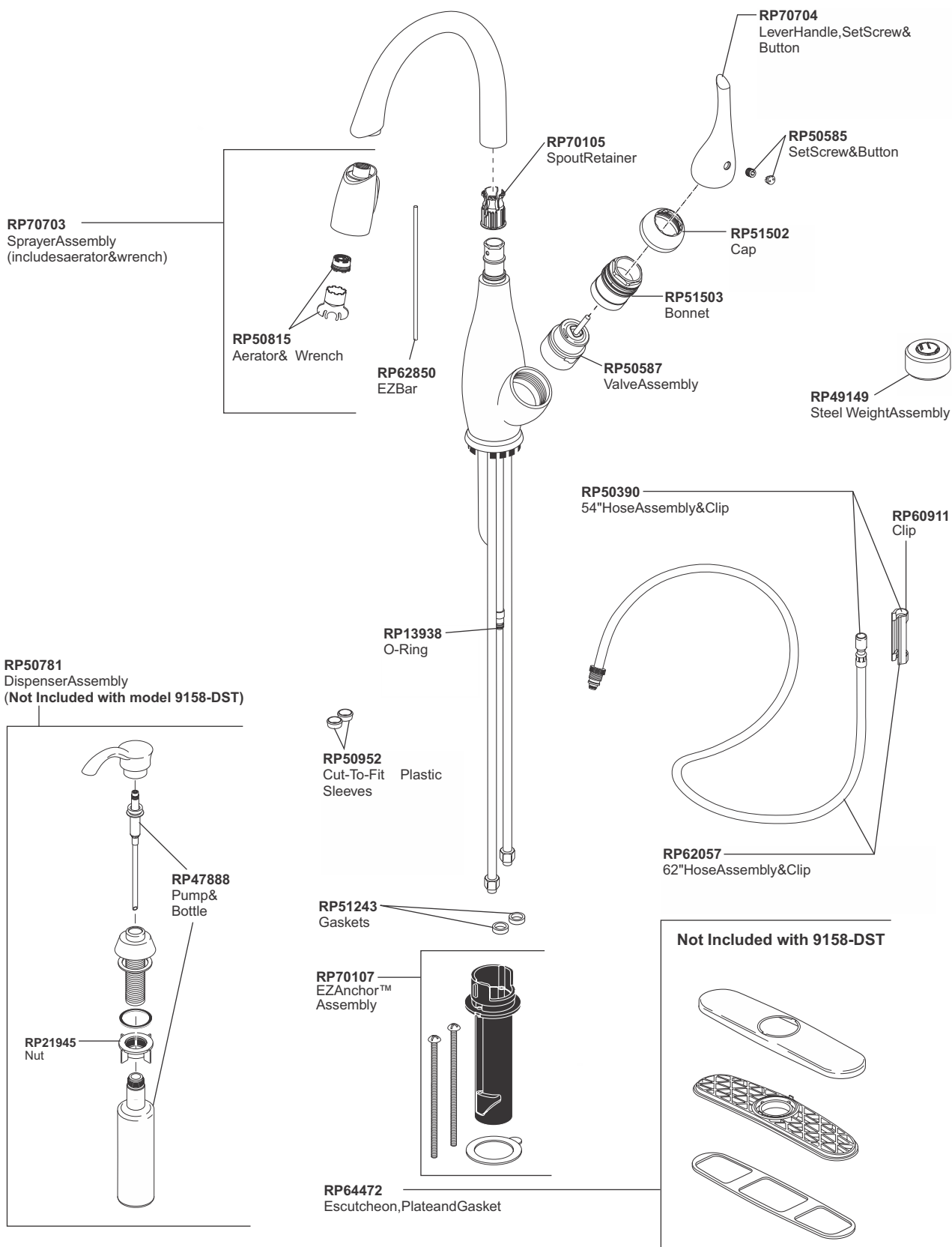
Technical Specification Sheet



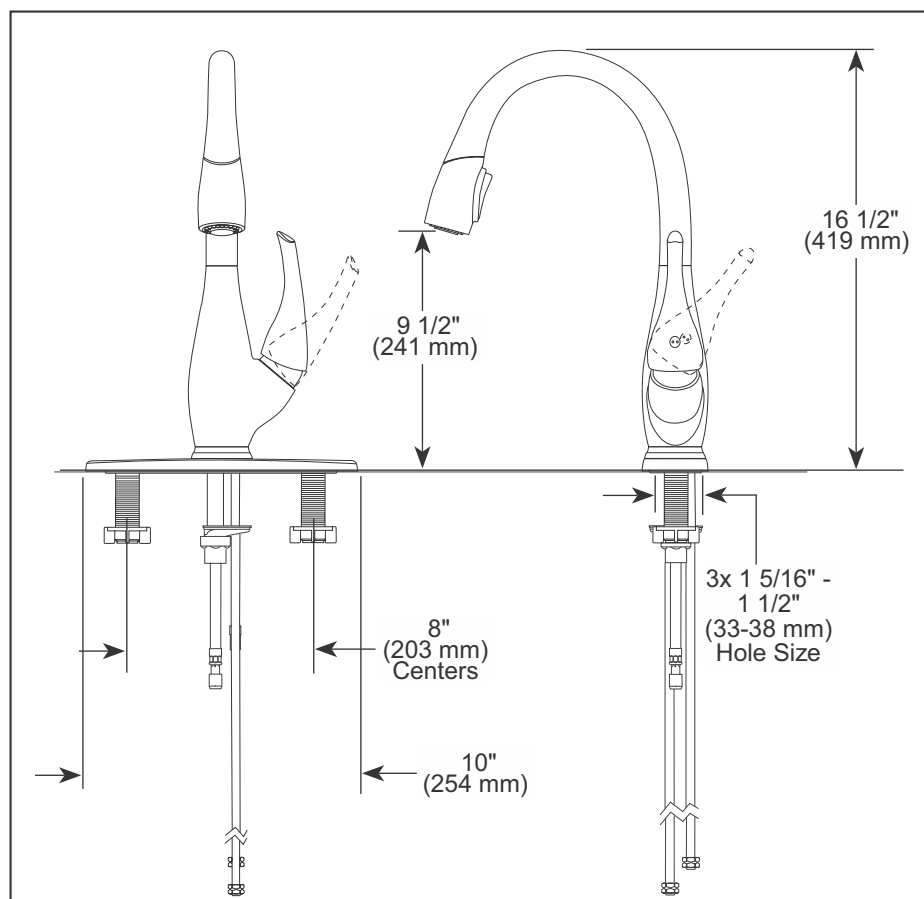
**Technical Specification Sheet**


Fuse Pull-Down Kitchen Faucet

9158-SR-DST

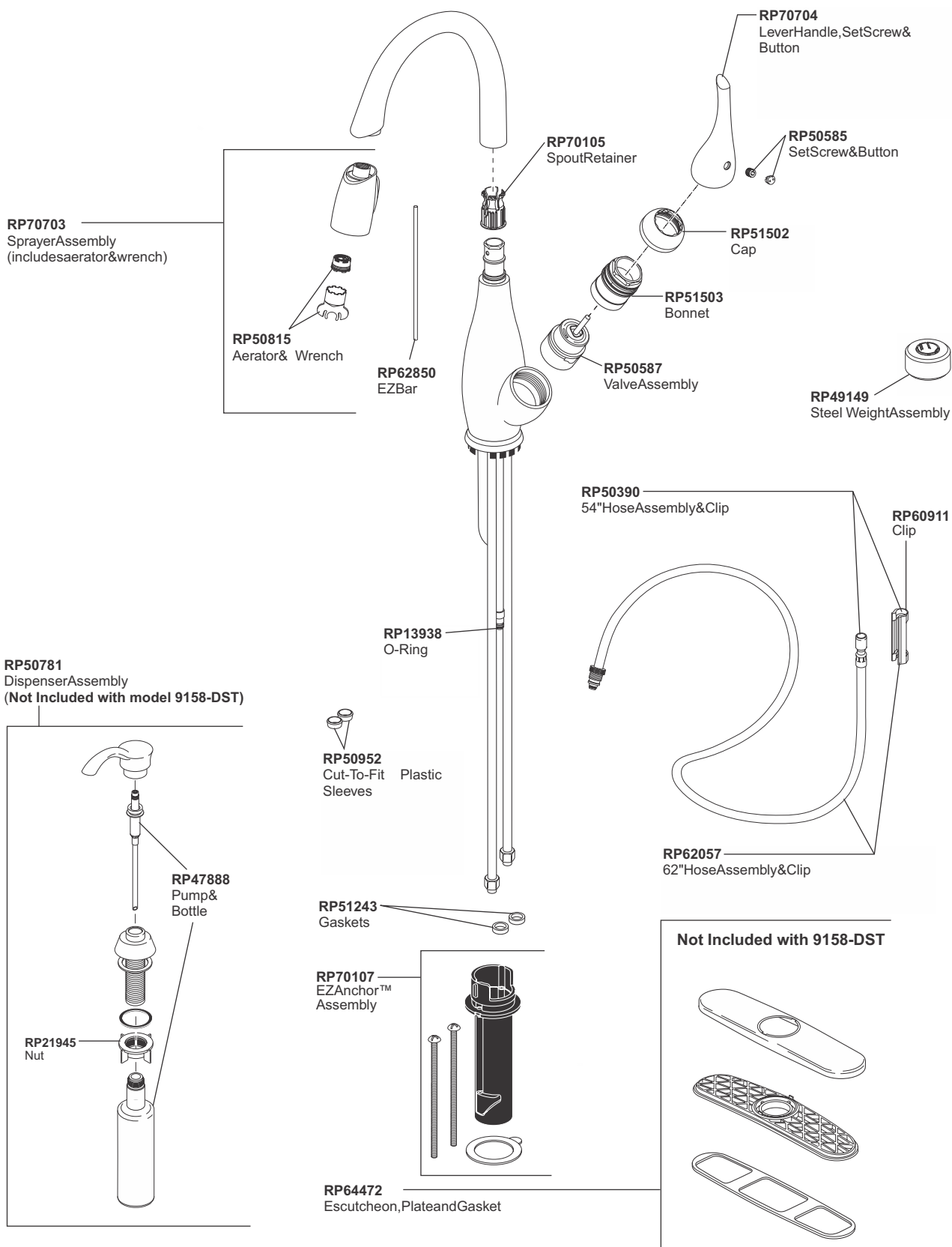


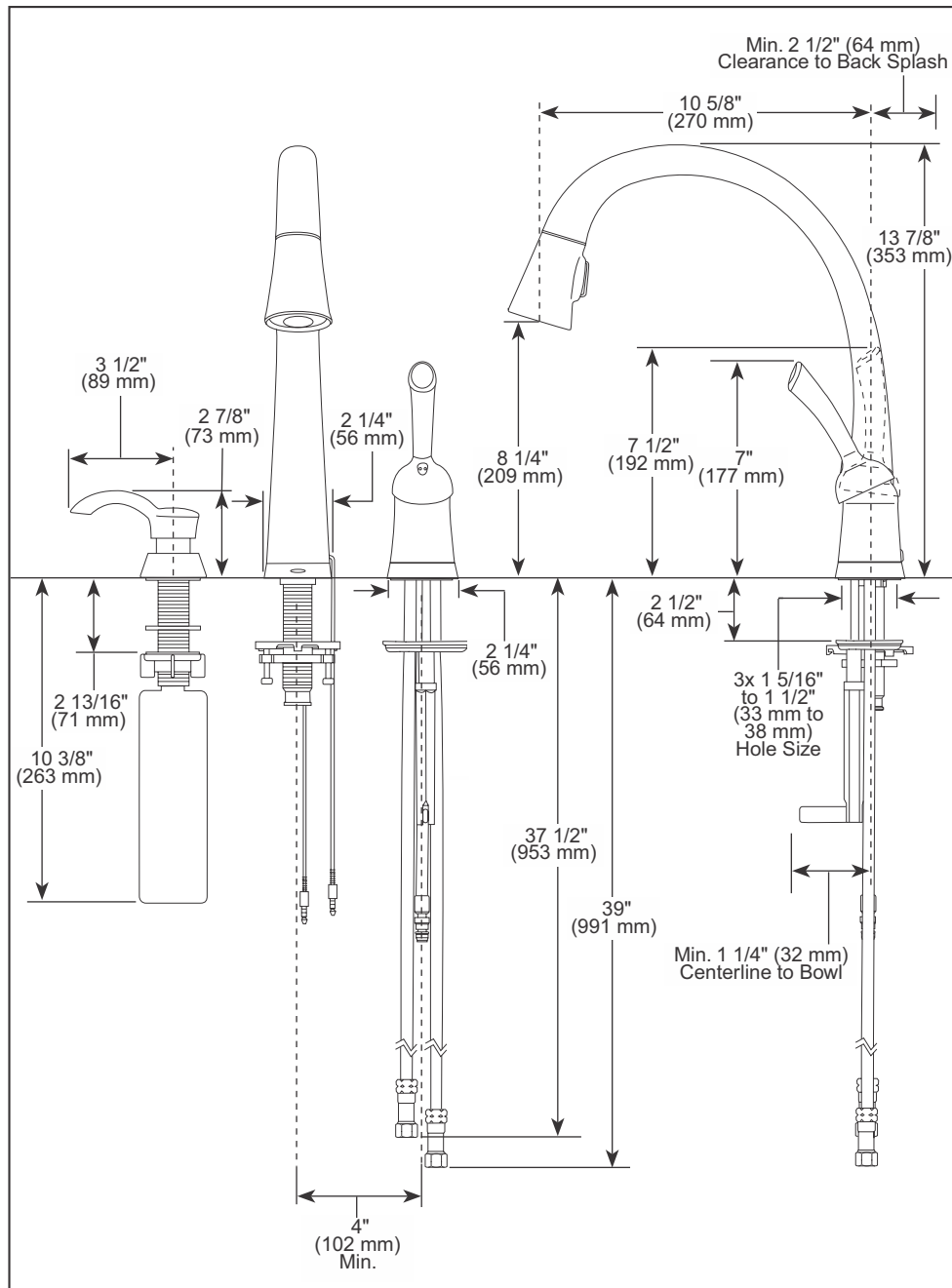
## Technical Specification Sheet



Fuse Pull-Down Kitchen Faucet

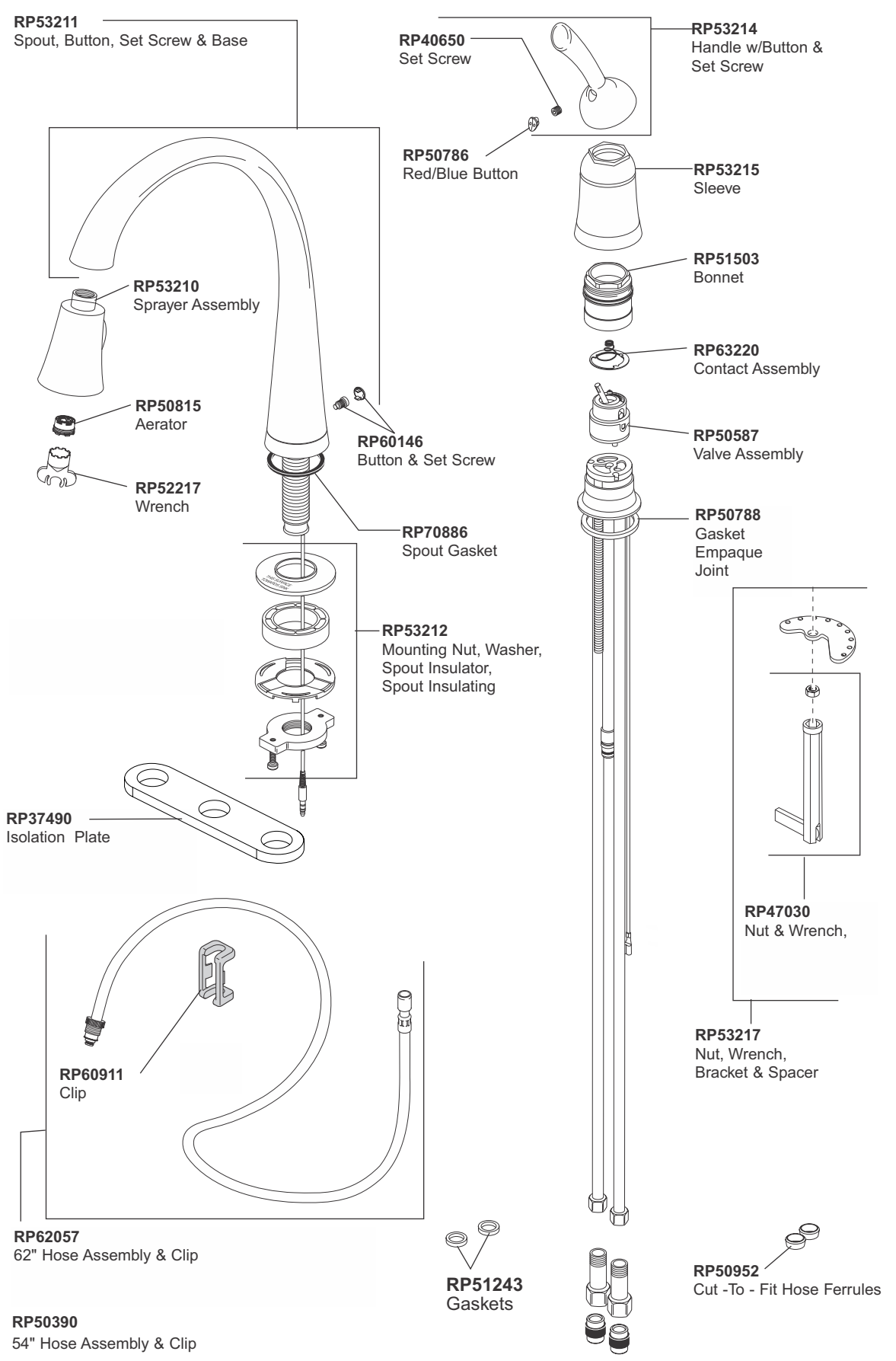
9158-SW-DST



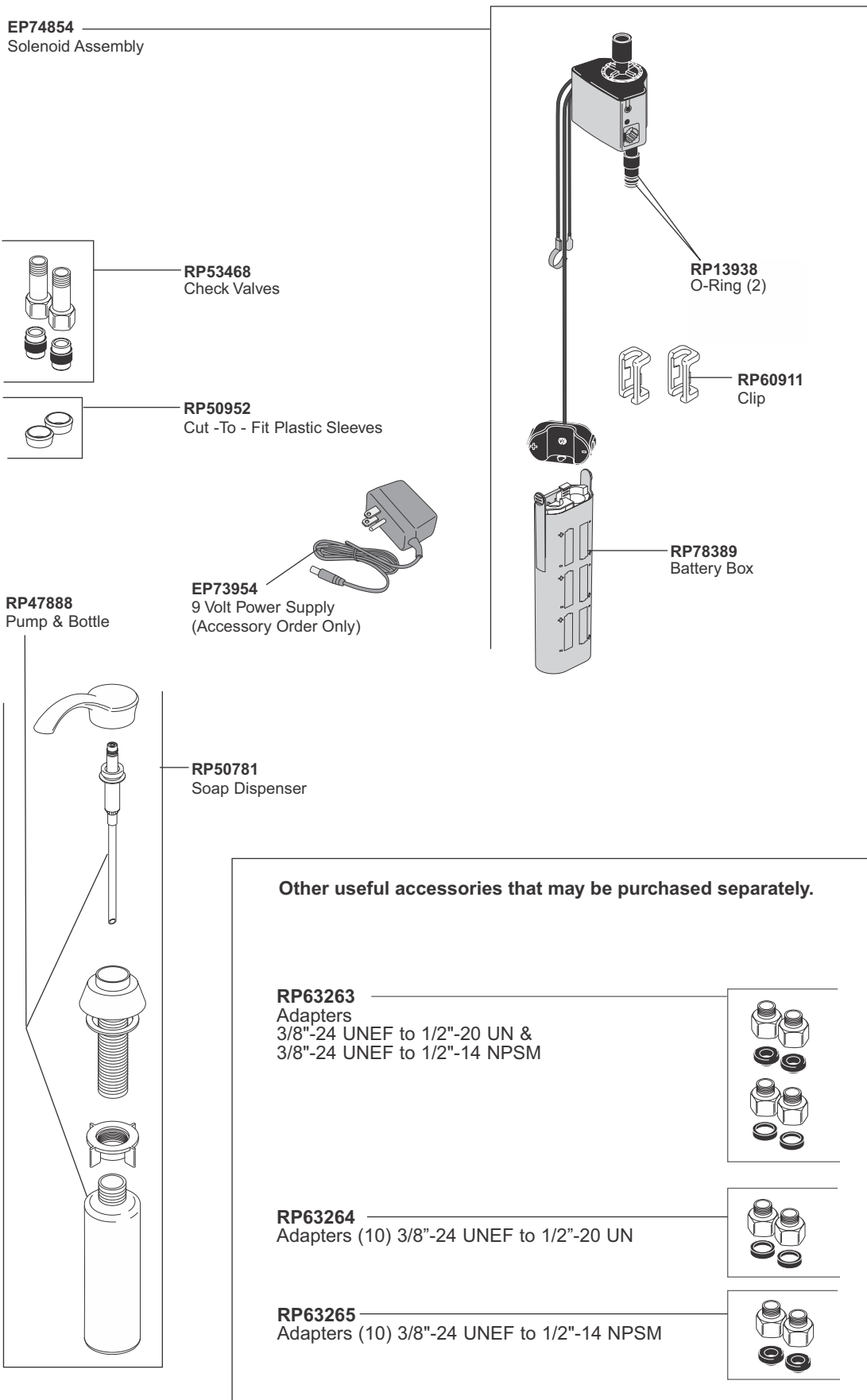
**Technical Specification Sheet**


Pilar Pull-Down Kitchen Faucet with Touch2O

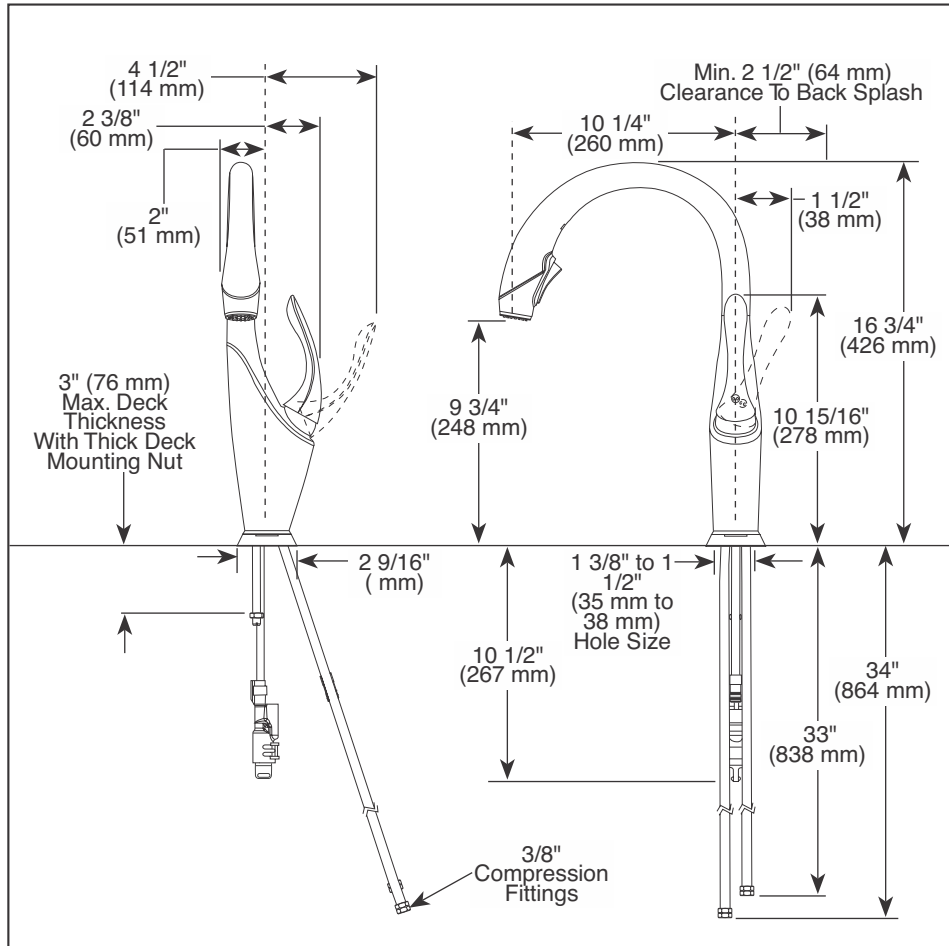
980T-DST





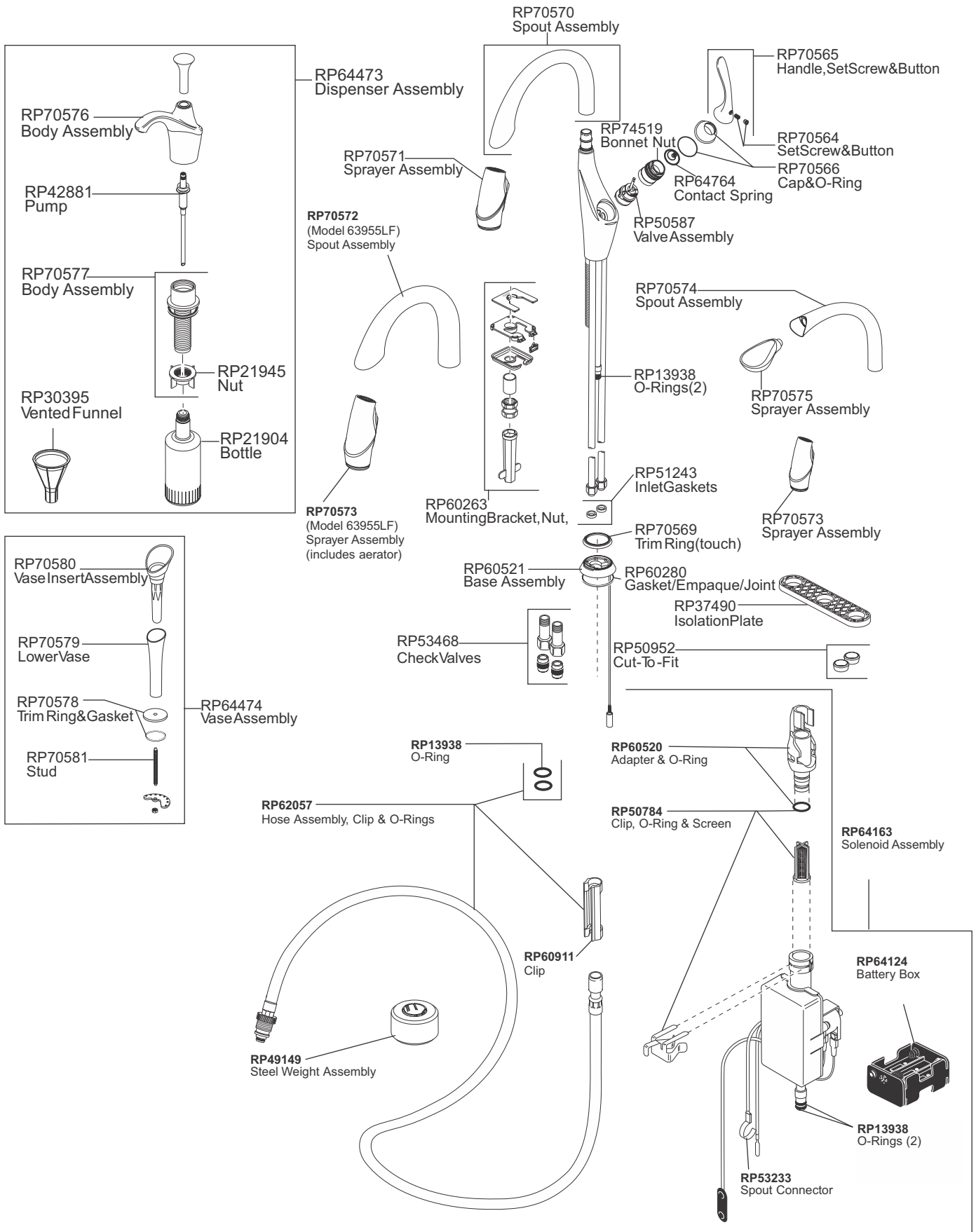


Technical Specification Sheet

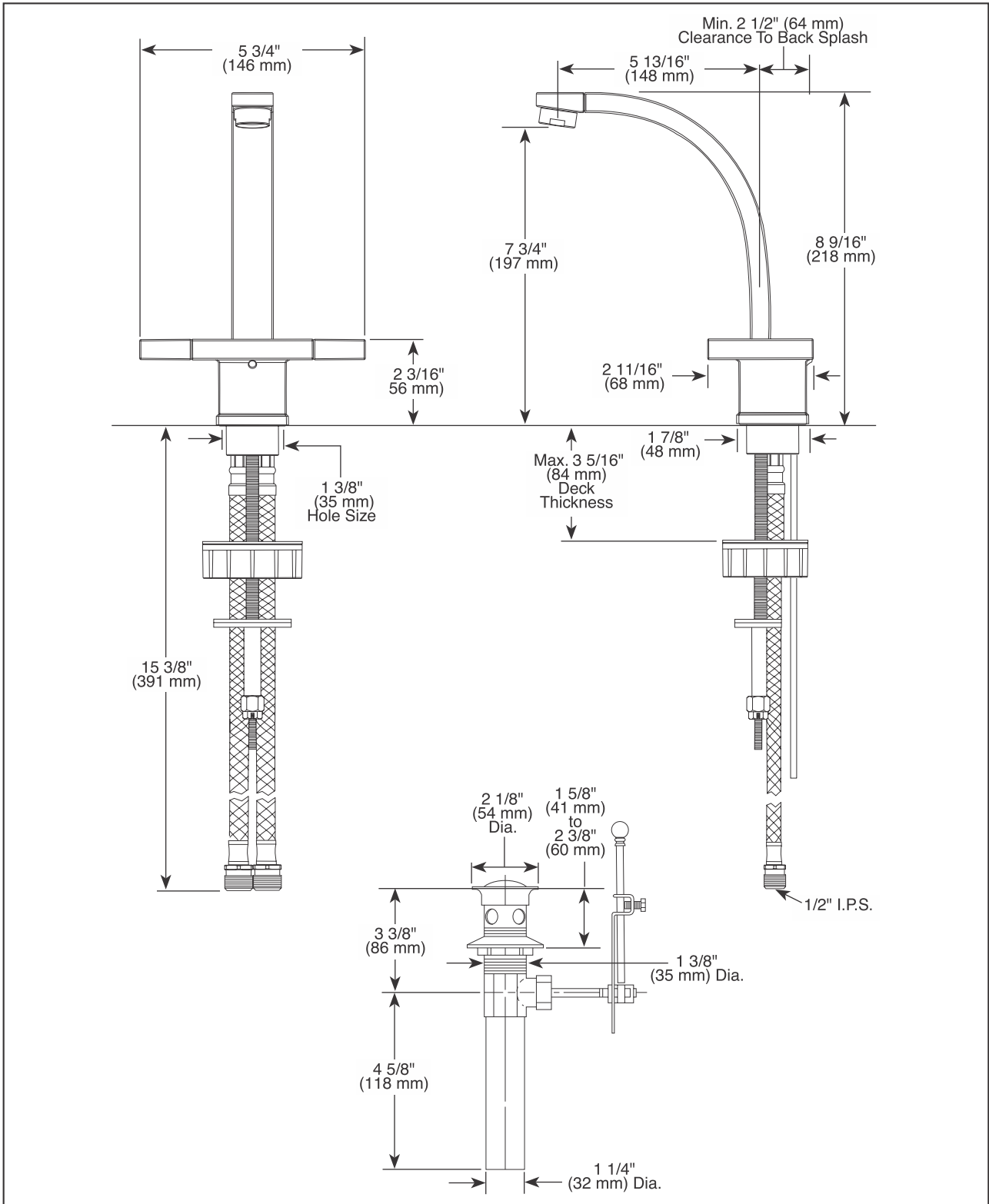


## Vuelo Pull-Down Kitchen Faucet with SmartTouch

## 64355LF-SSCO

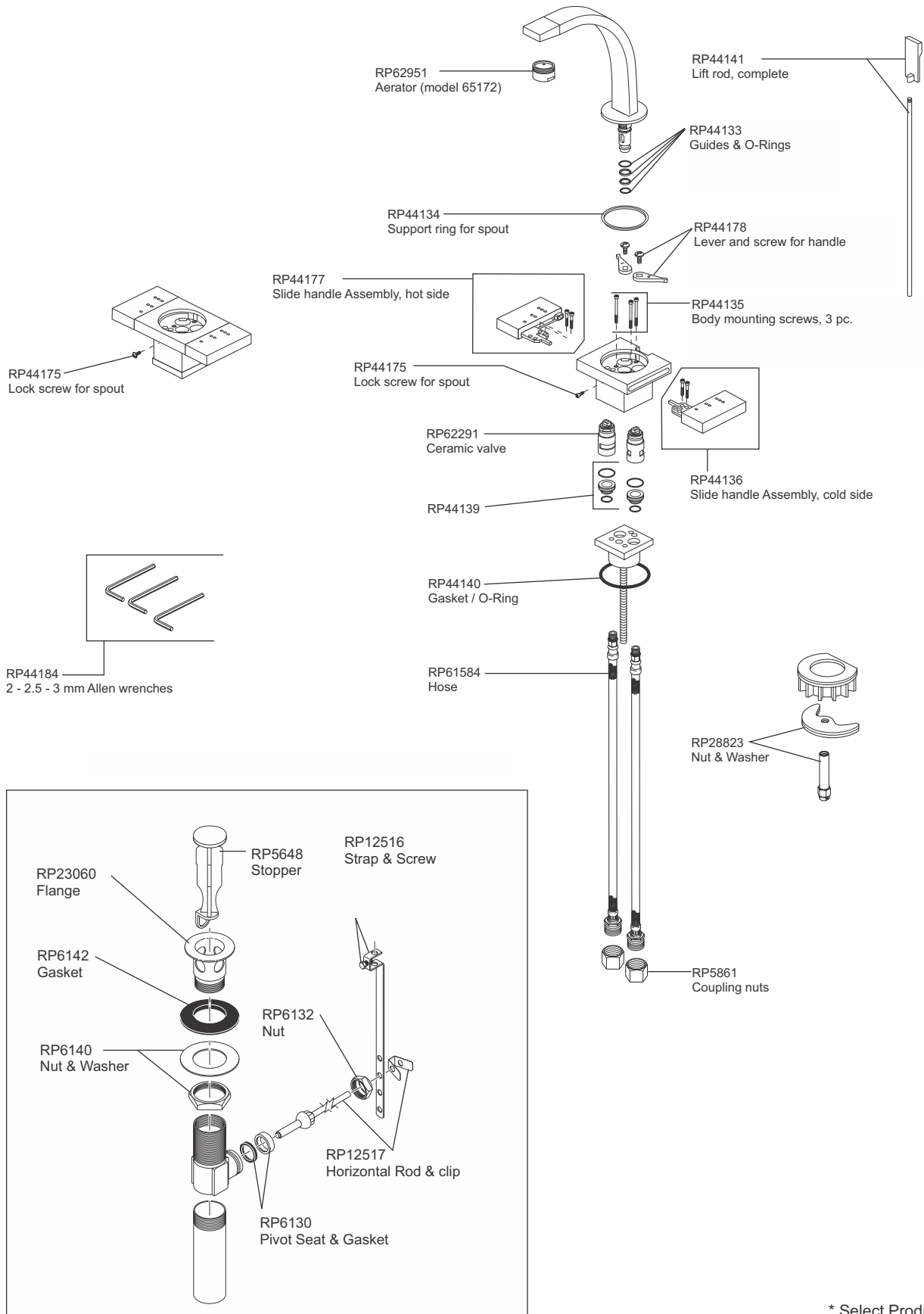


Technical Specification Sheet



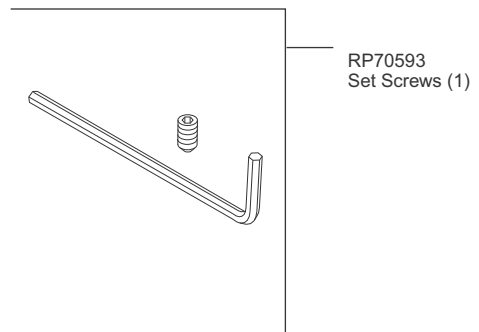
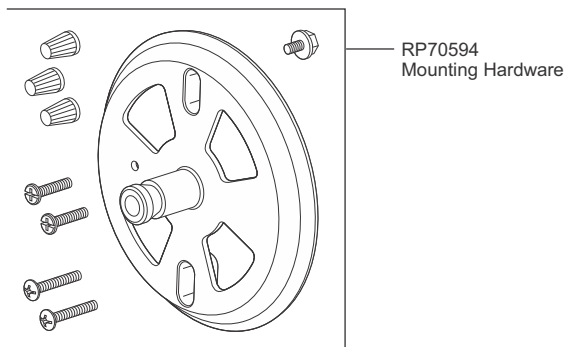
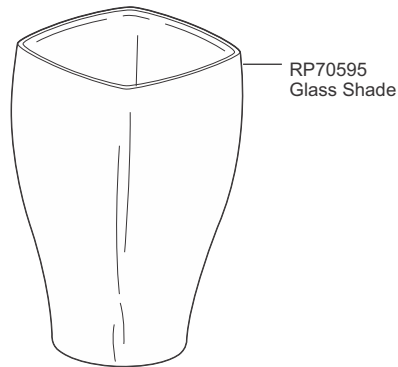
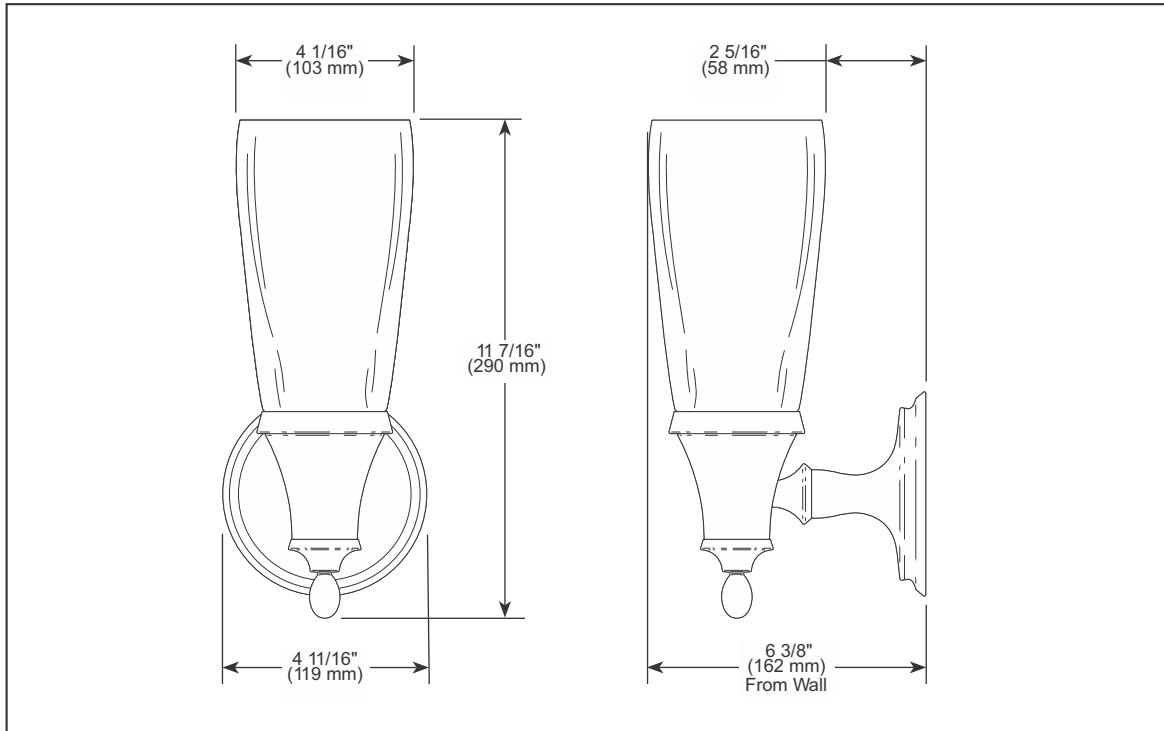
## Loki Single Hole 2-Handle Lav Faucet

## 65172LF-BN

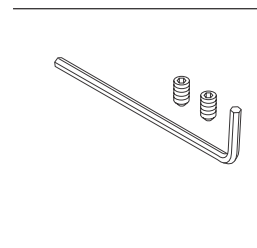
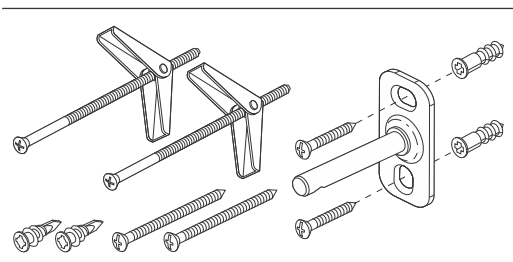
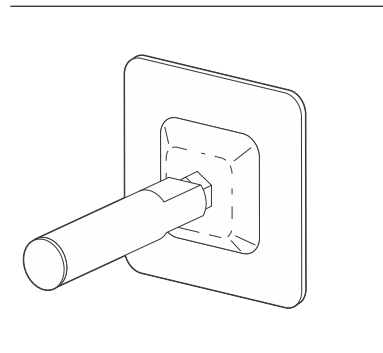
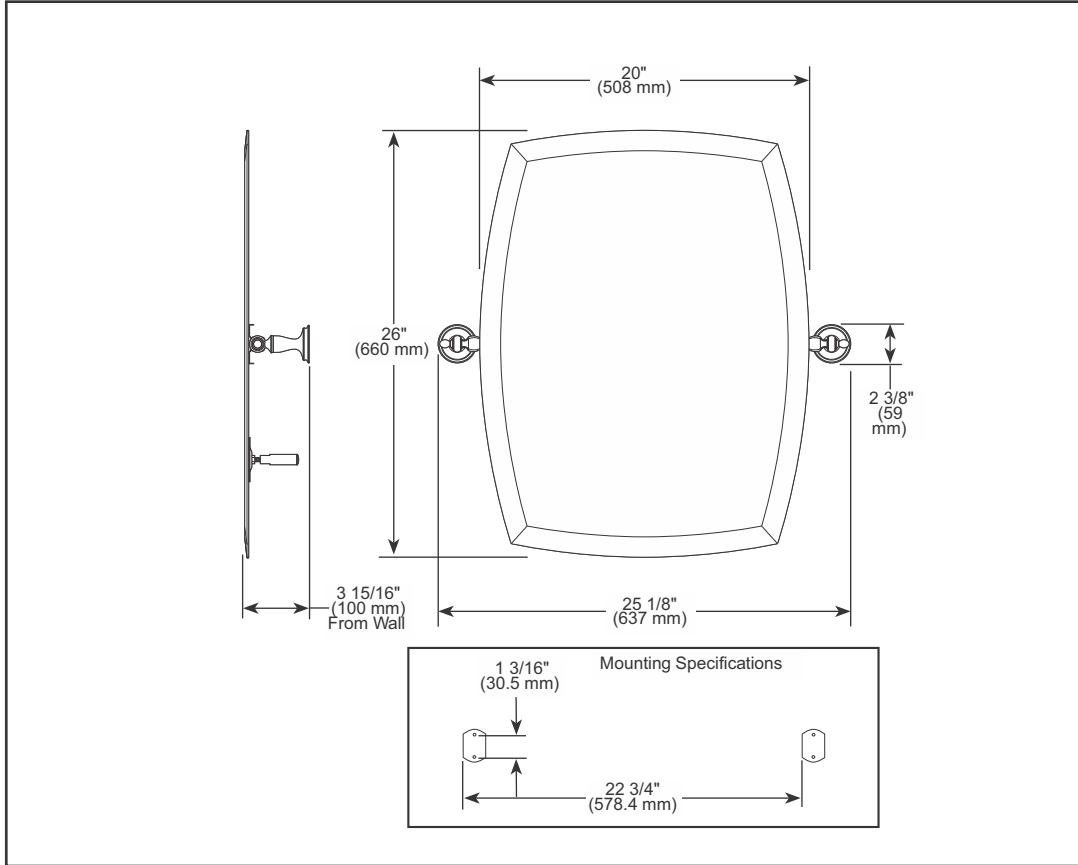


\* Select Product Finish

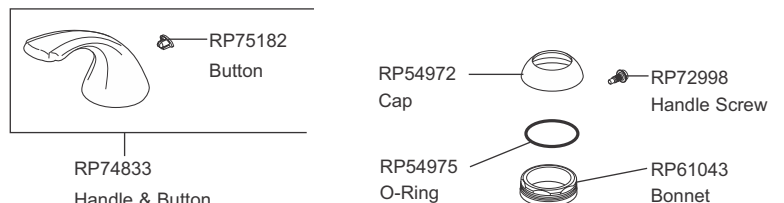
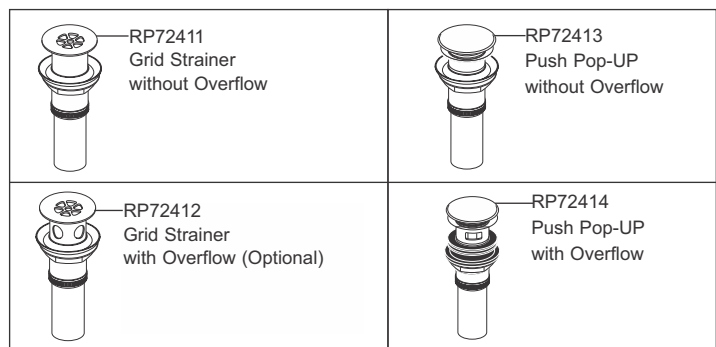
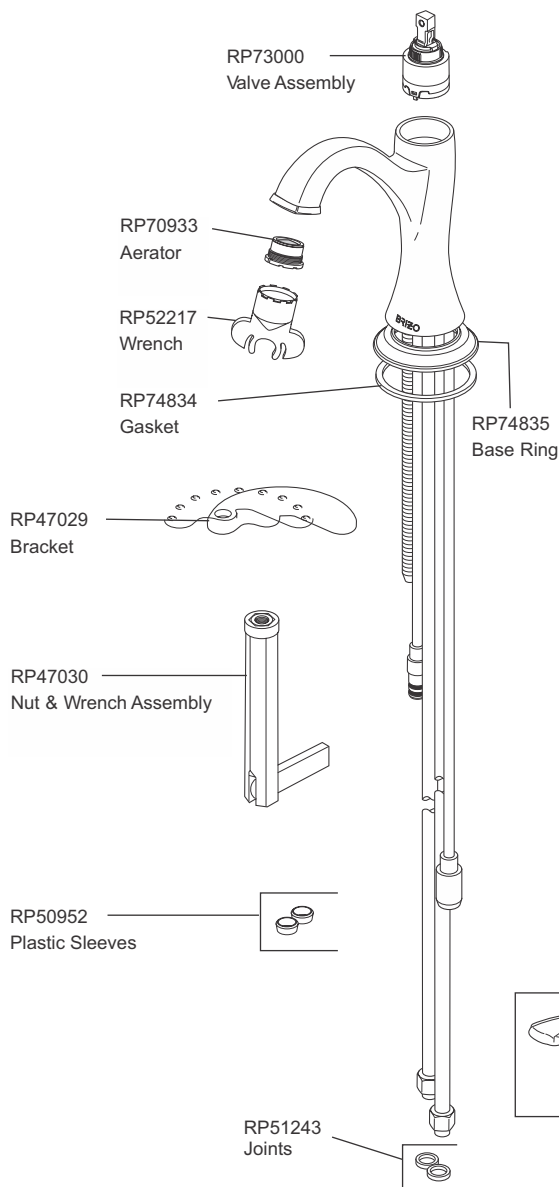
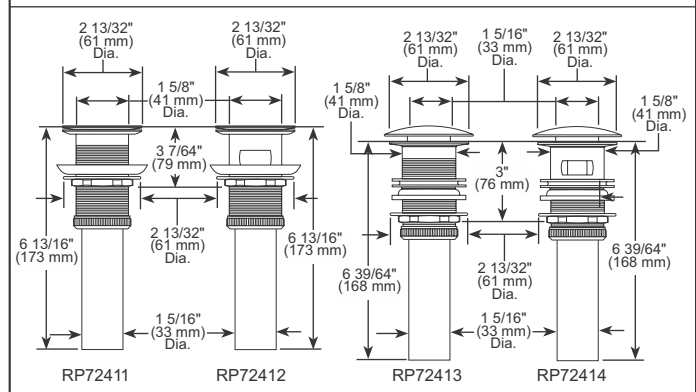
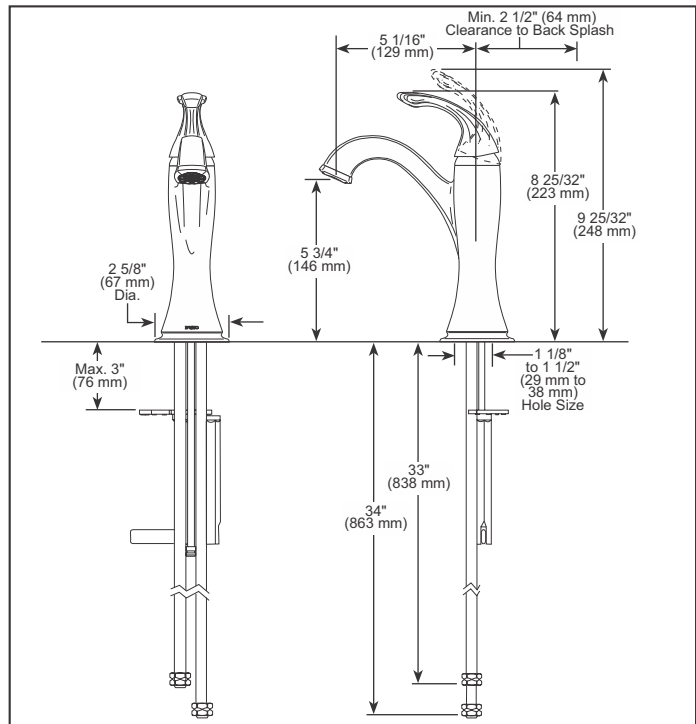
### Technical Specification Sheet



**Technical Specification Sheet**



### Technical Specification Sheet

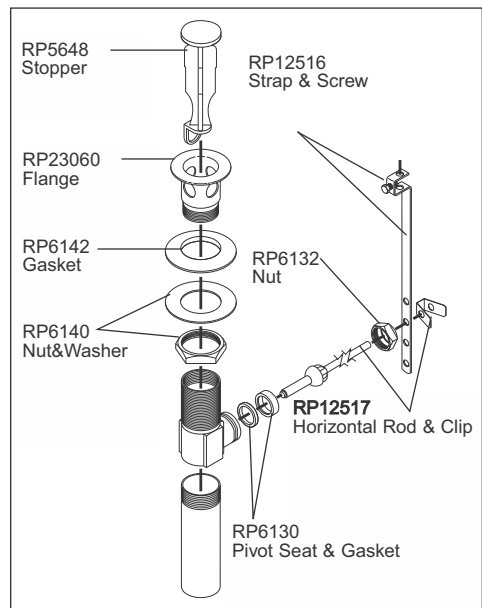
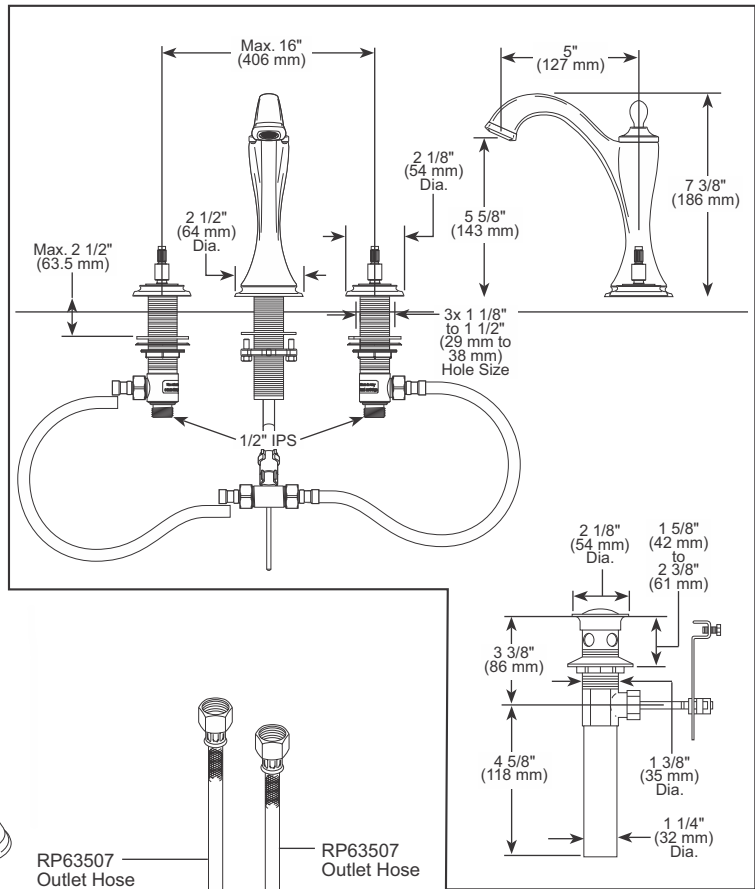
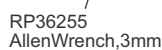
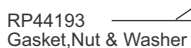
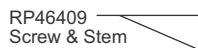
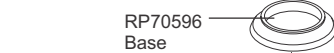
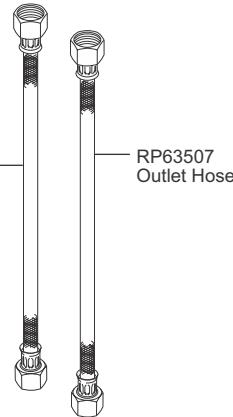
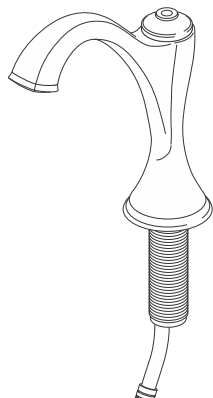
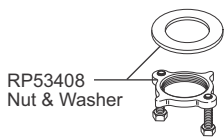
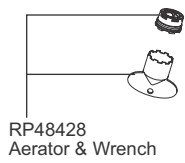




## Charlotte 2-Handle Deck Mount Lav Faucet without Handle Trim

## 65385LF-PNCOLHP

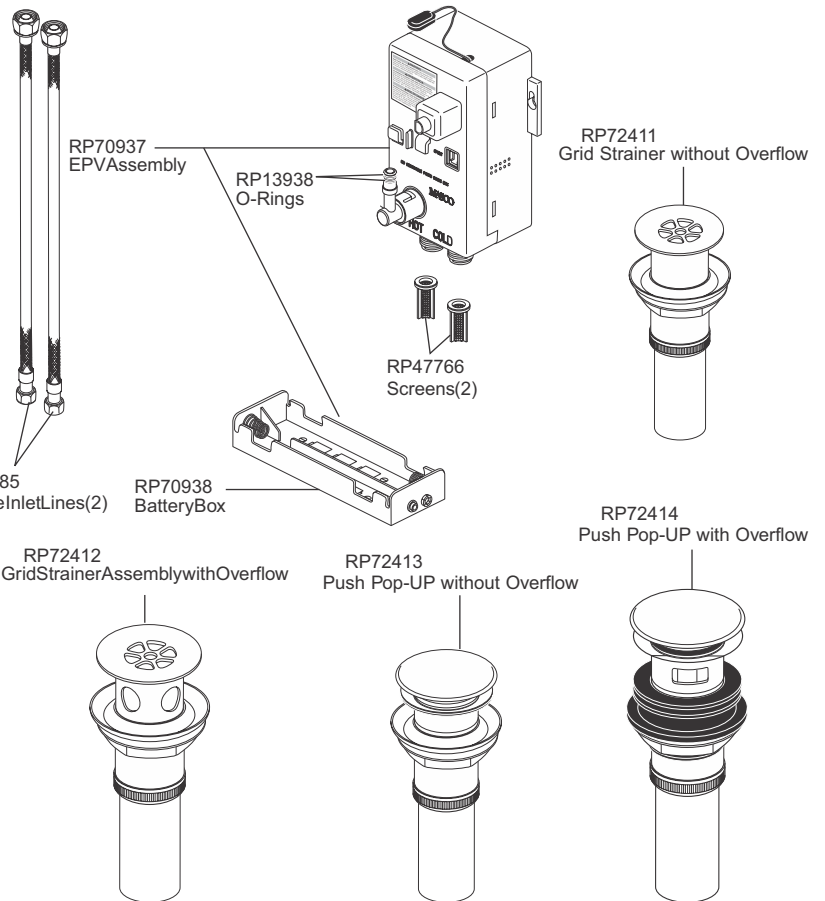
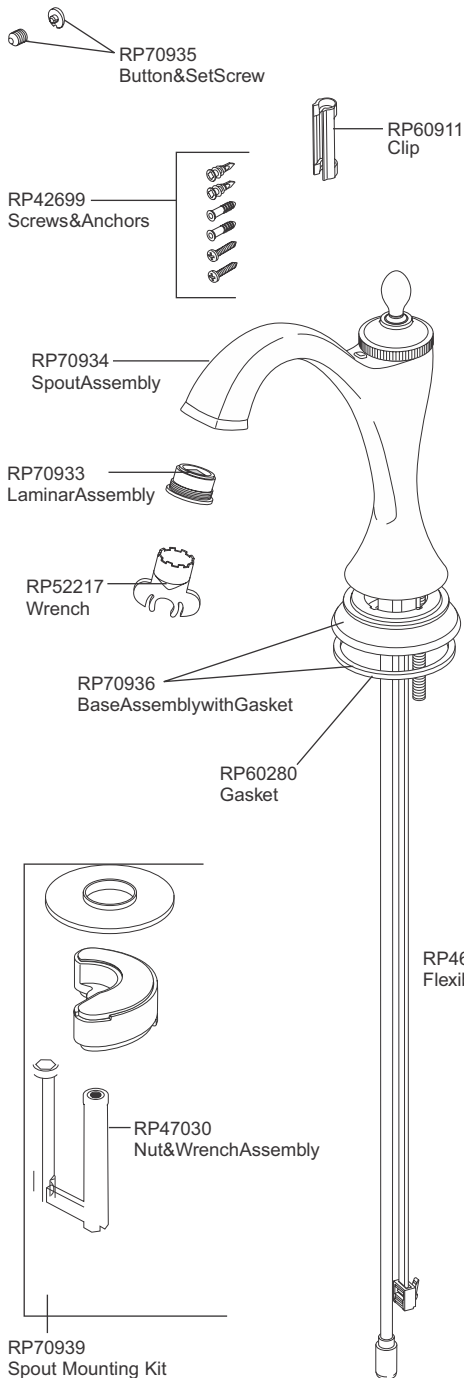
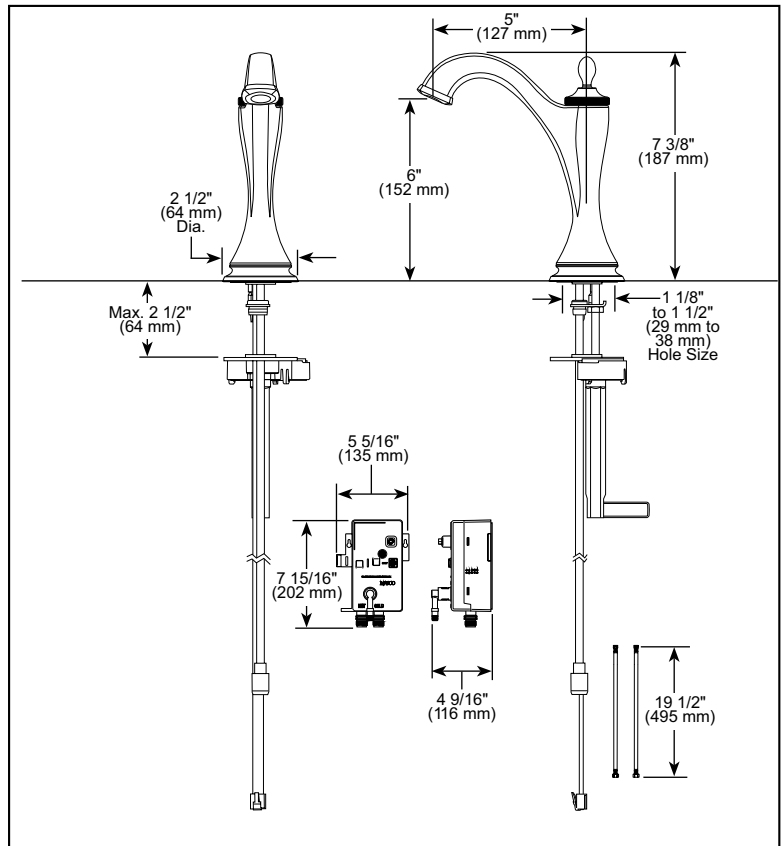
### Technical Specification Sheet



## Charlotte Lav Faucet with SmartTouch Plus

## 65685LF-PNCO

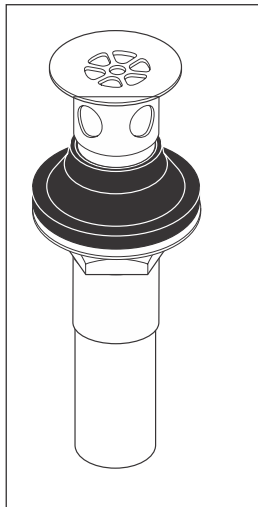
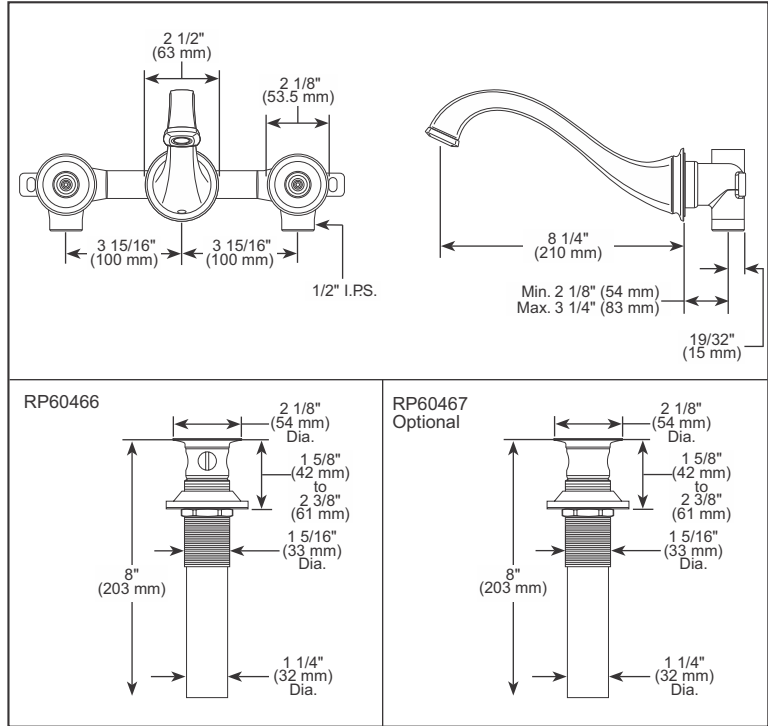
### Technical Specification Sheet



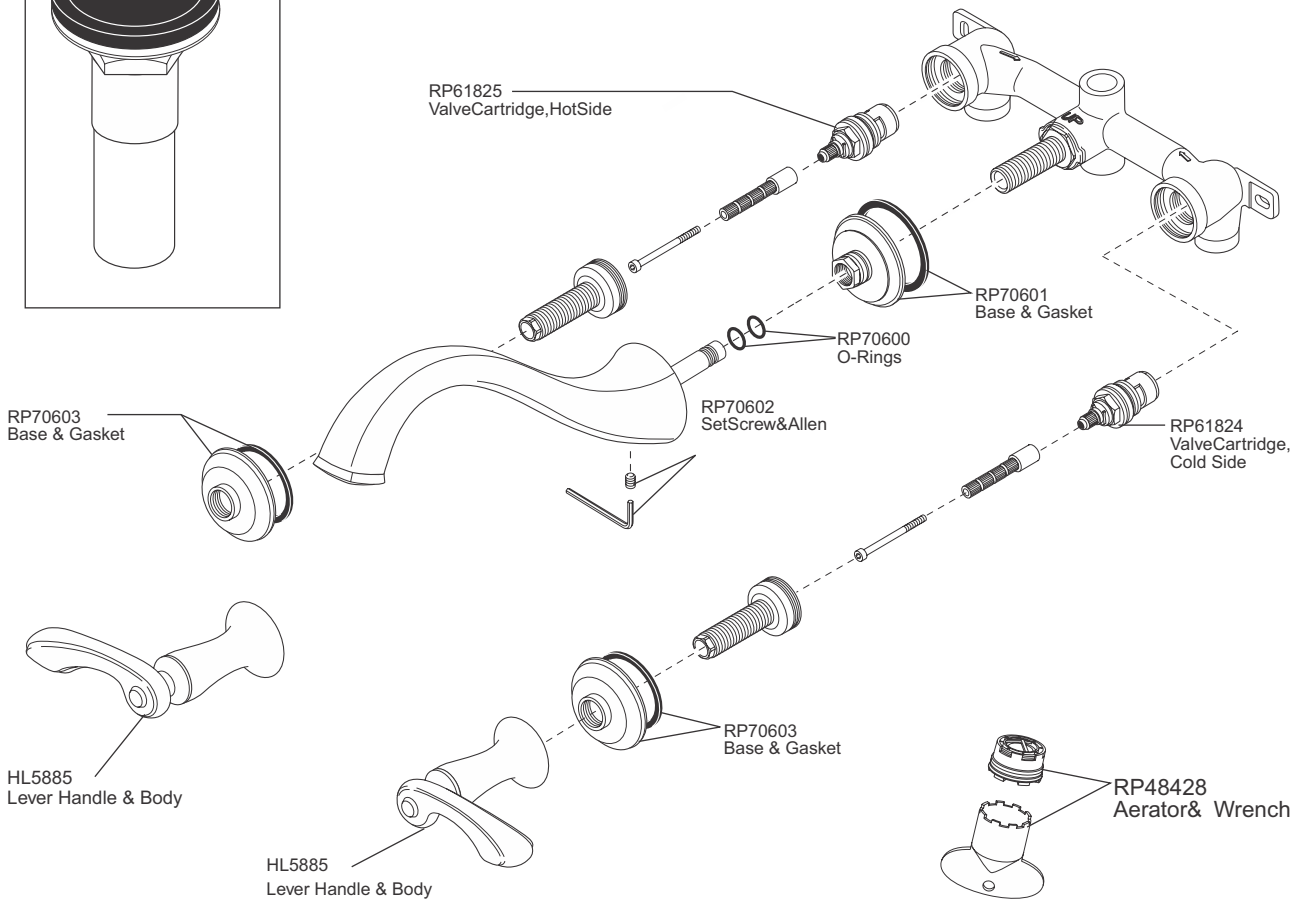
## Charlotte 2-Handle Wall Mount Lav Faucet without Handle Trim

## 65885LF-PNCOLHP

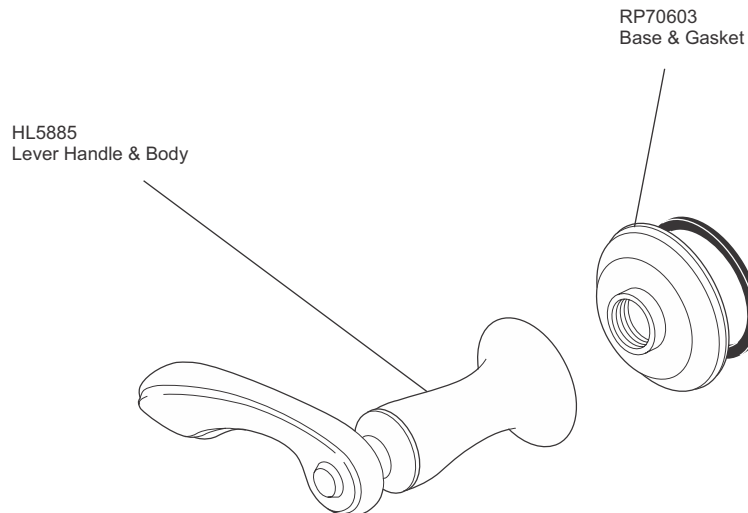
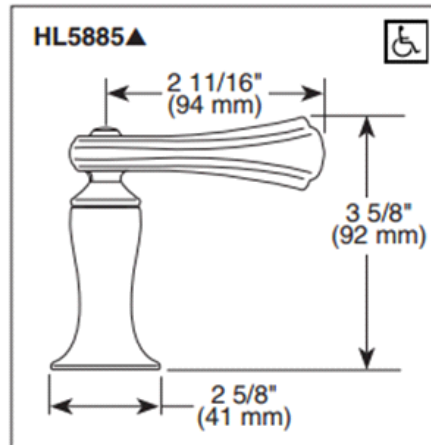
### Technical Specification Sheet



RP60466  
Grid Strainer



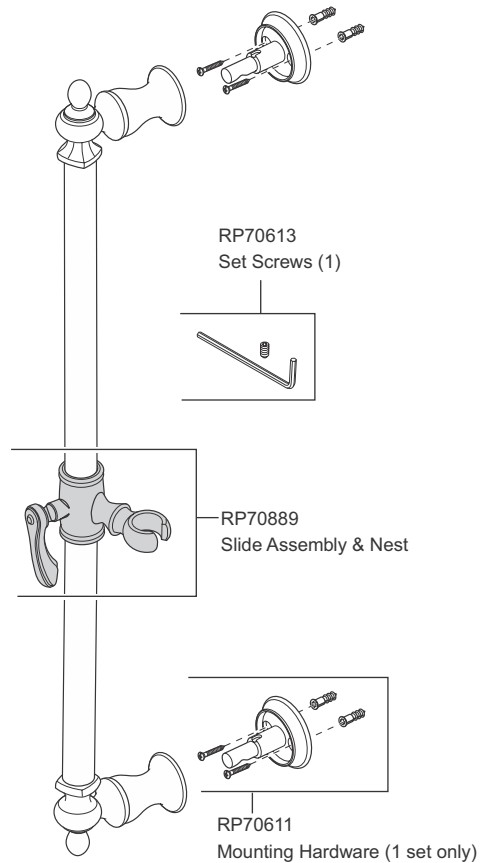
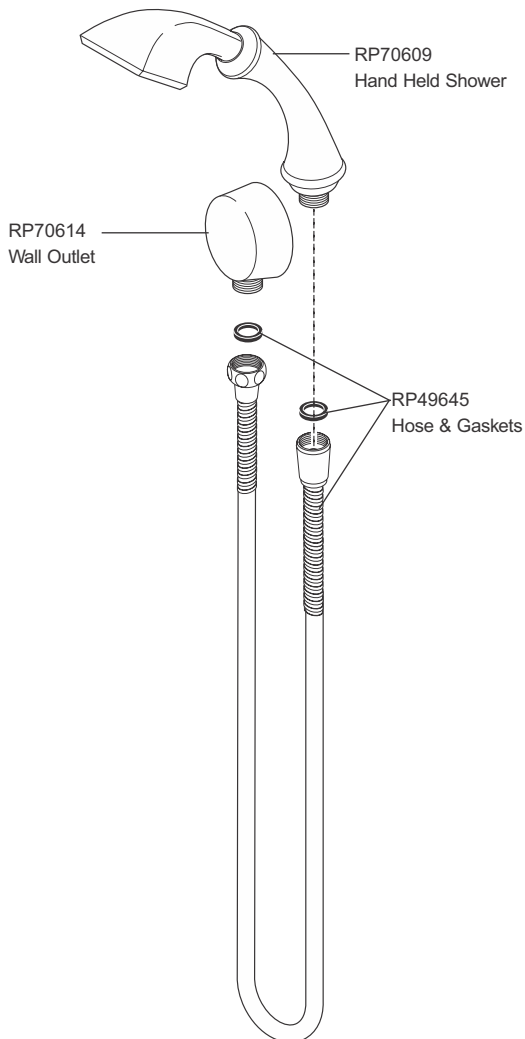
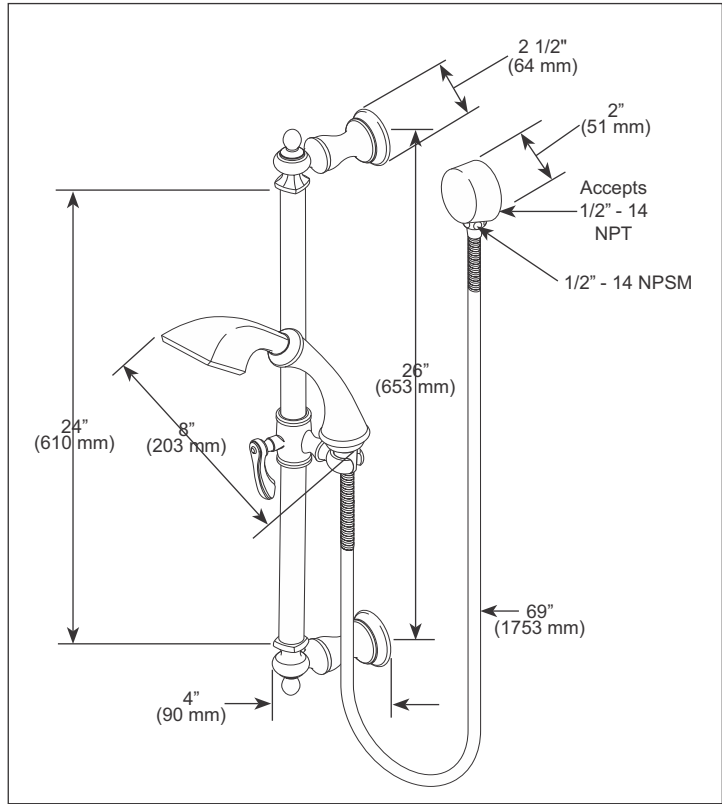
### Technical Specification Sheet



## Charlotte Handshower with Slide Bar

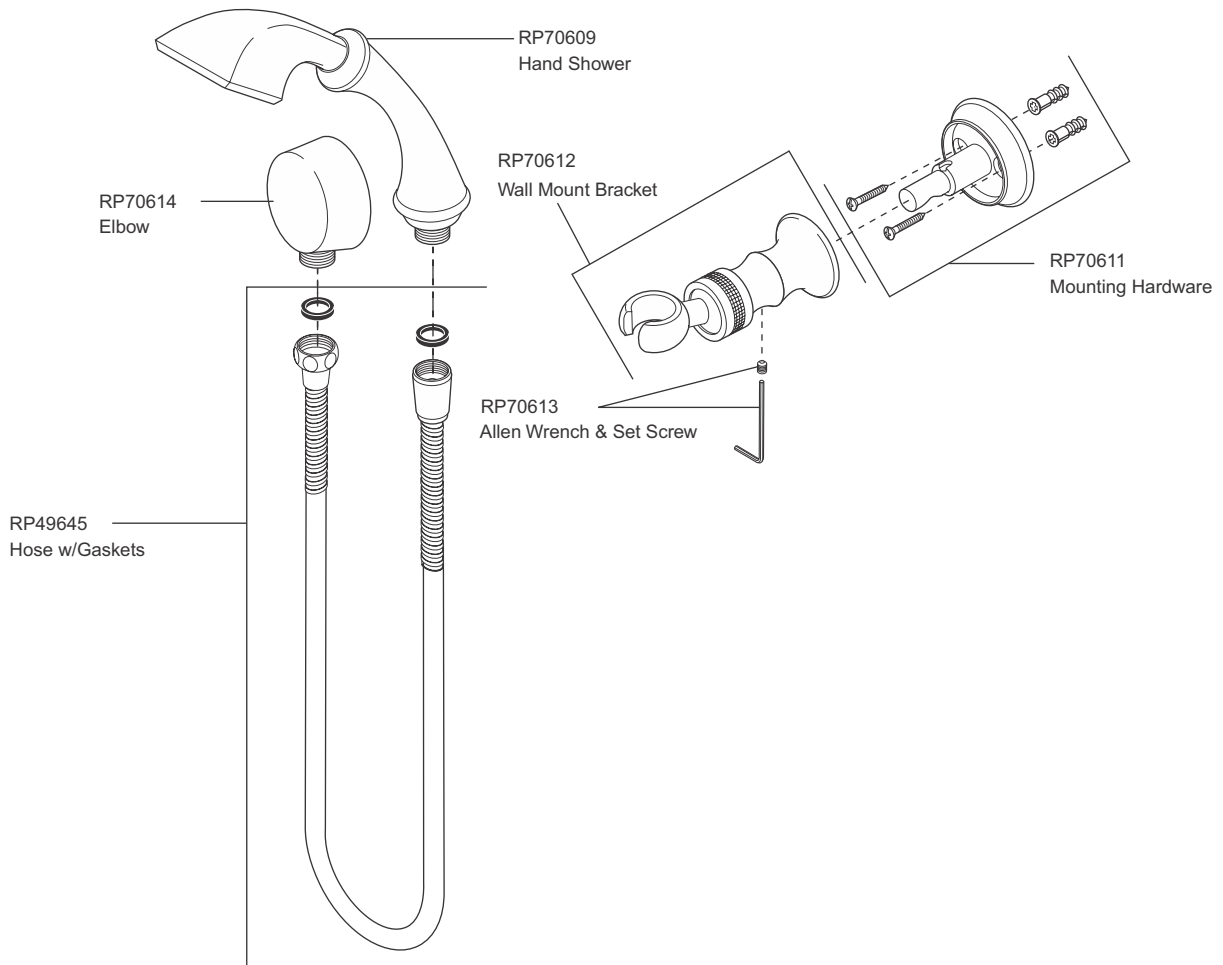
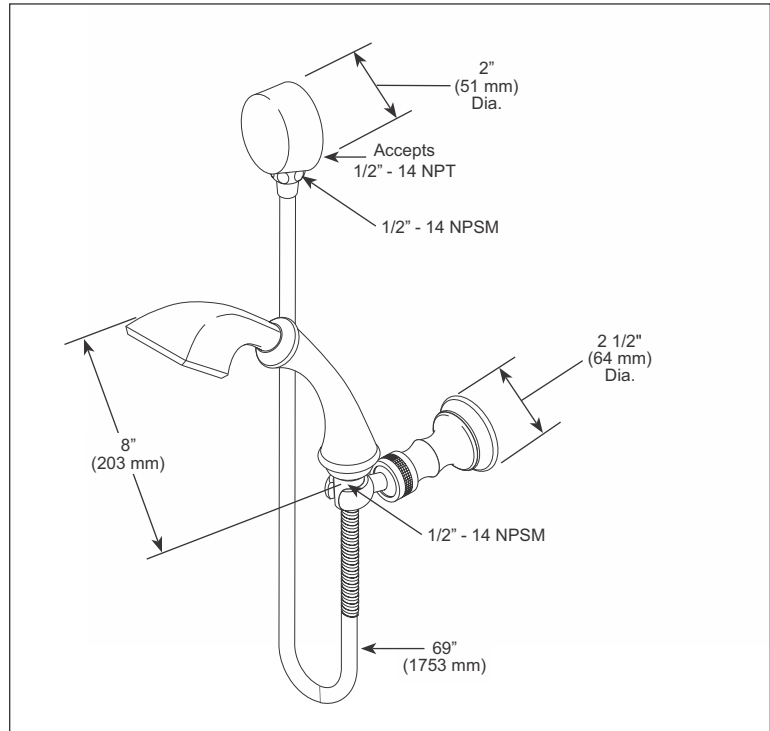
### 85785

### Technical Specification Sheet

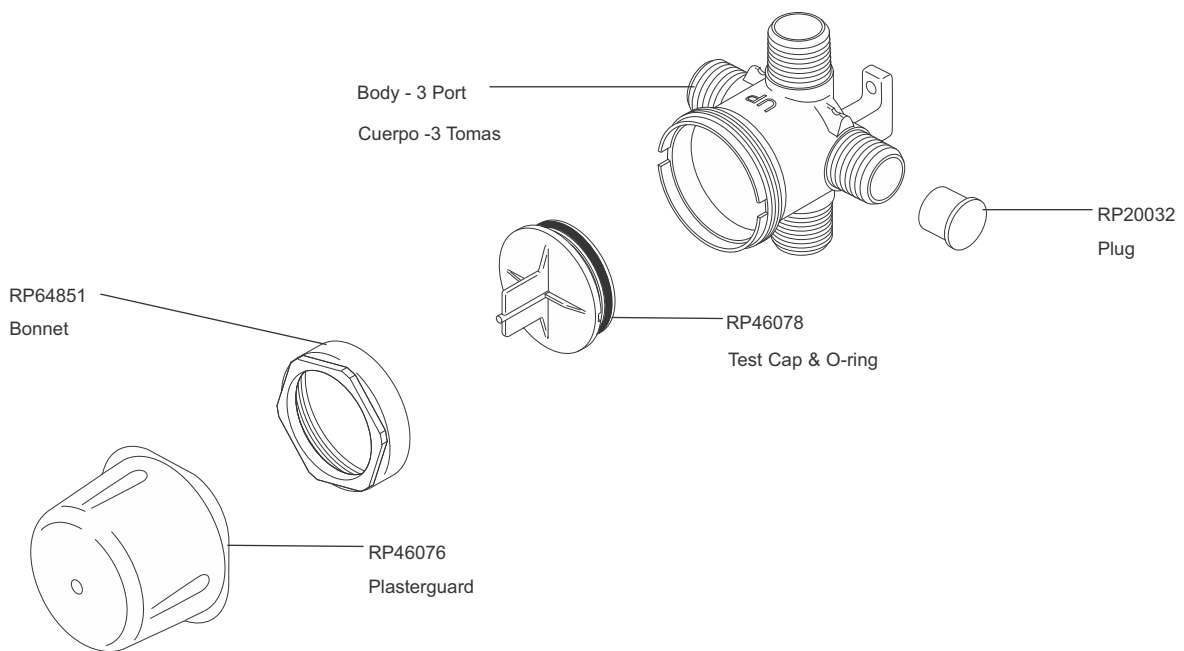
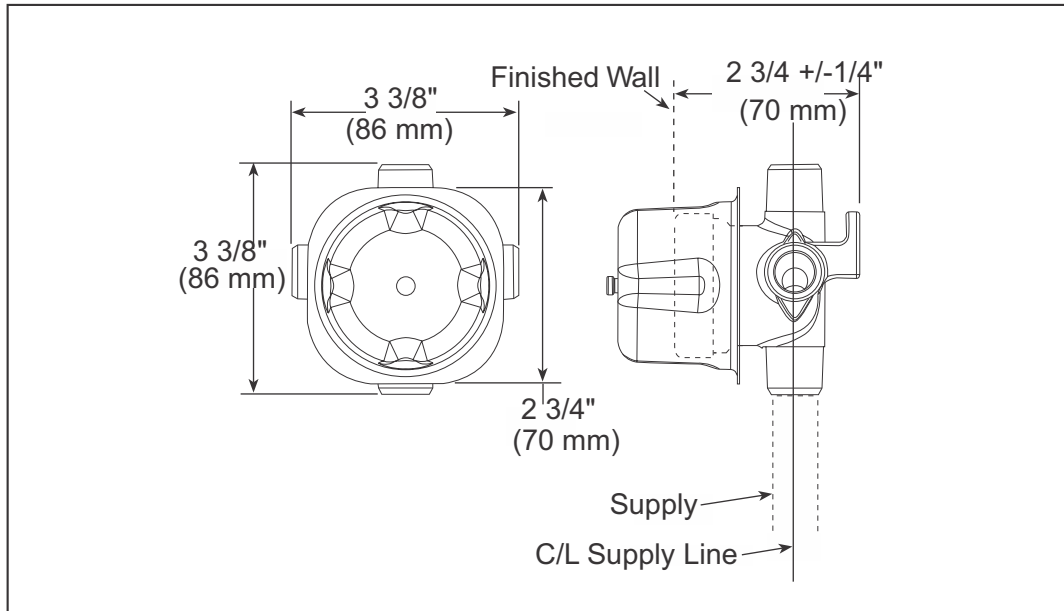


\* Select Product Finish

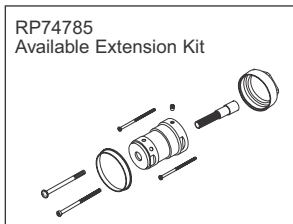
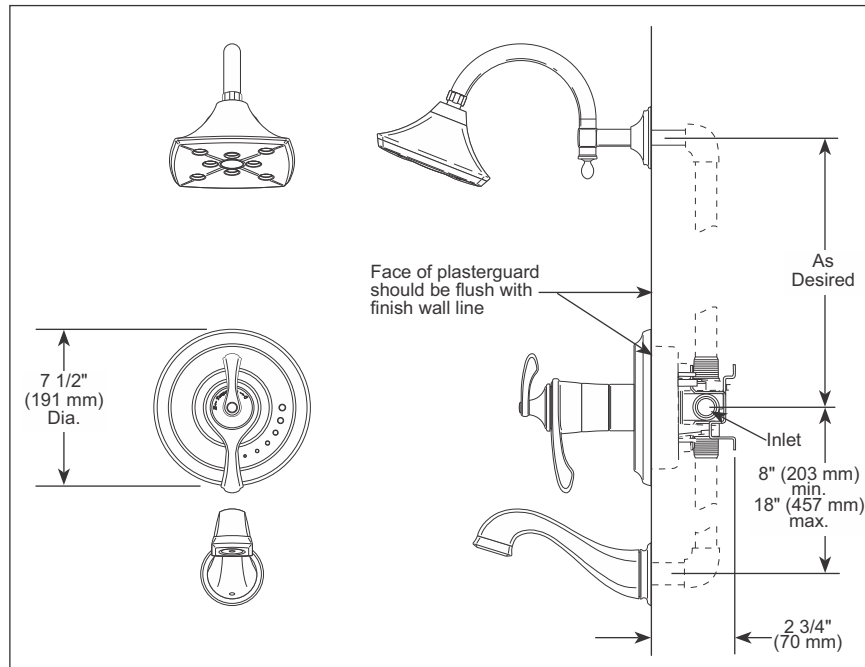
### Technical Specification Sheet



**Technical Specification Sheet**



### Technical Specification Sheet



RP50879  
Trim Sleeve

RP47201  
Cartridge Assembly

RP49089  
Trim Ring

RP49090  
Trim Screws

RP70905  
Escutcheon



RP23336  
O-Ring

RP12630  
Longer Screws

RP70906  
Handle Assembly & Set Screw

RP70916  
Set Screw & Allen Wrench

RP70907  
Temperature Knob, Screw & Button

RP70918  
Button

RP49349  
Adapter

RP70917  
Spout Flange

RP70908  
Tub Spout/Pull-Down Diverter

RP63510  
Set Screw & Allen Wrench

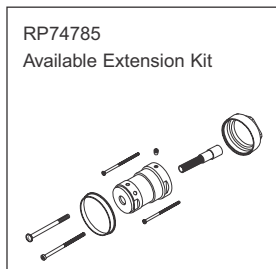
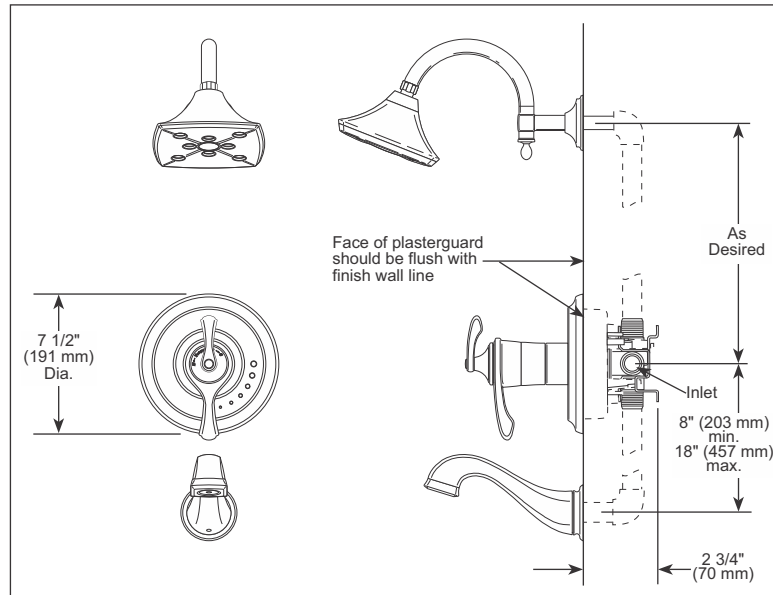
RP70909  
Shower Arm & Flange



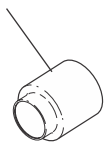
## Charlotte Bundled Tub & Shower with TempAssure Thermostatic Medium-Flow Trim

## T60485-PNCO

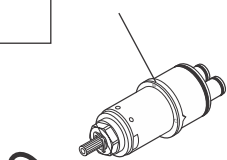
### Technical Specification Sheet



RP50879  
Trim Sleeve



RP47201  
Cartridge Assembly



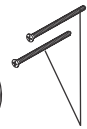
RP23336  
O-Ring



RP49089  
Trim Ring



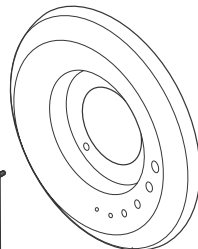
RP49090  
Trim Screws



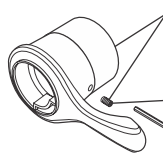
RP12630  
Longer Screws



RP70905  
Escutcheon



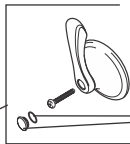
RP70906  
Handle Assembly & Set Screw



RP70916  
Set Screw & Allen Wrench



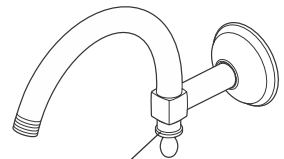
RP70918  
Button & O-ring



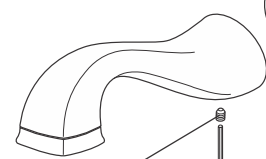
RP70907  
Temperature Knob, Screw & Button



RP70909  
Shower Arm & Flange



RP70908  
Tub Spout/Pull-Down Diverter



RP49349  
Adapter



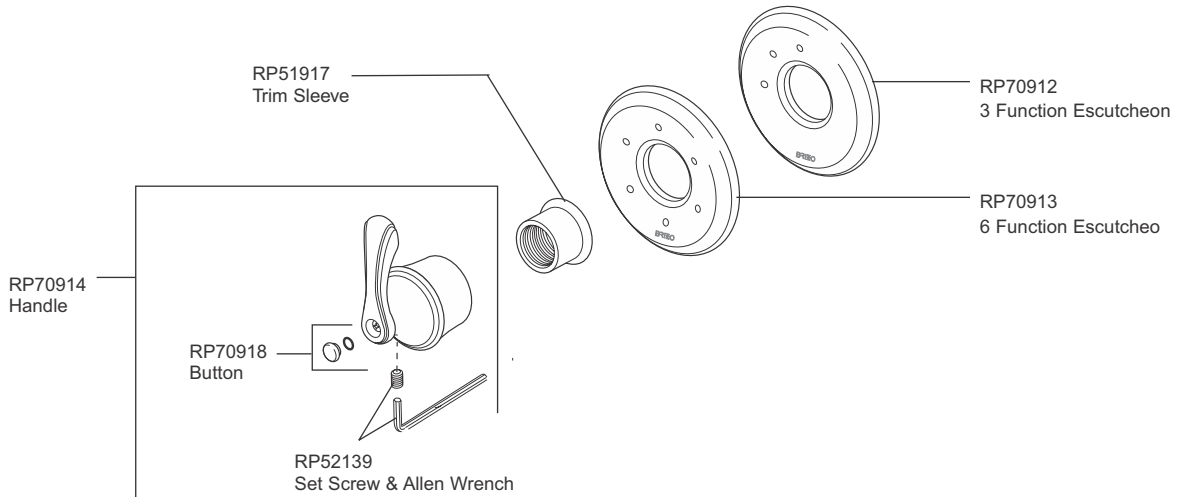
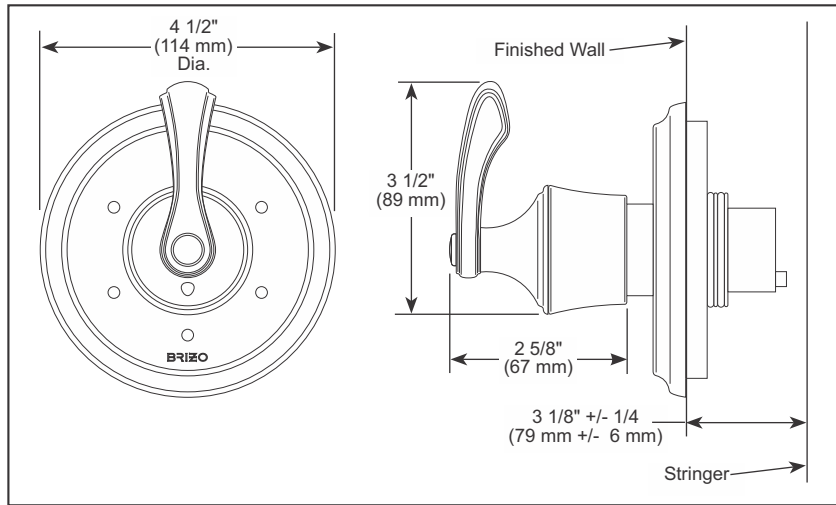
RP70917  
Spout Flange



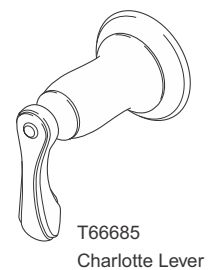
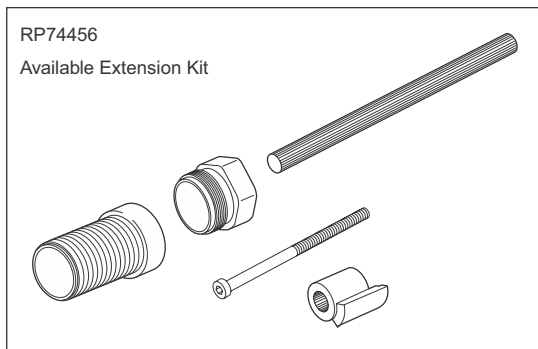
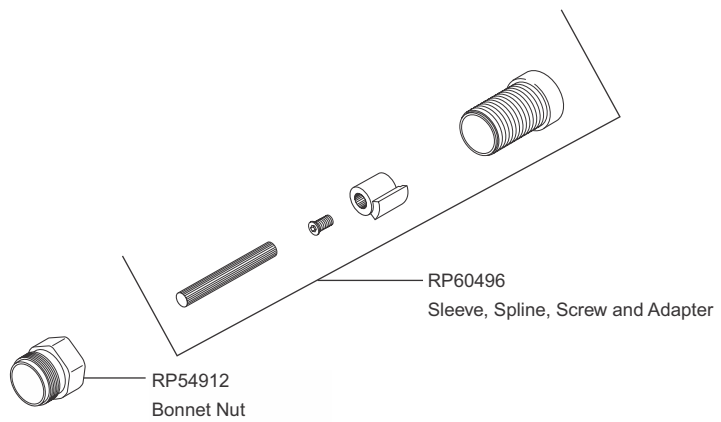
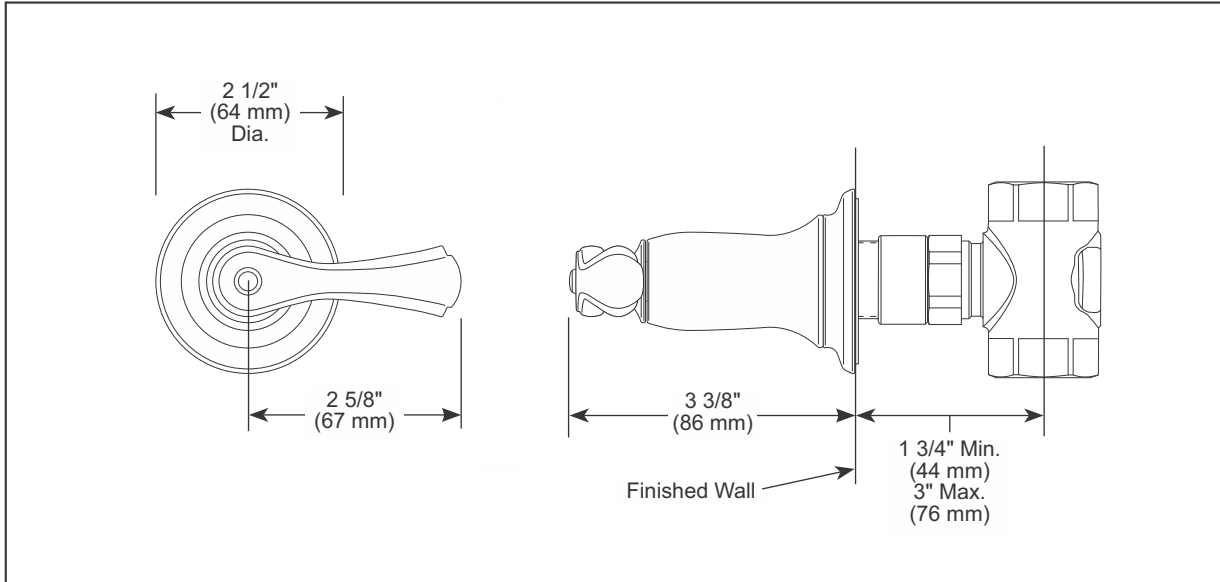
RP63510  
Set Screw & Allen Wrench



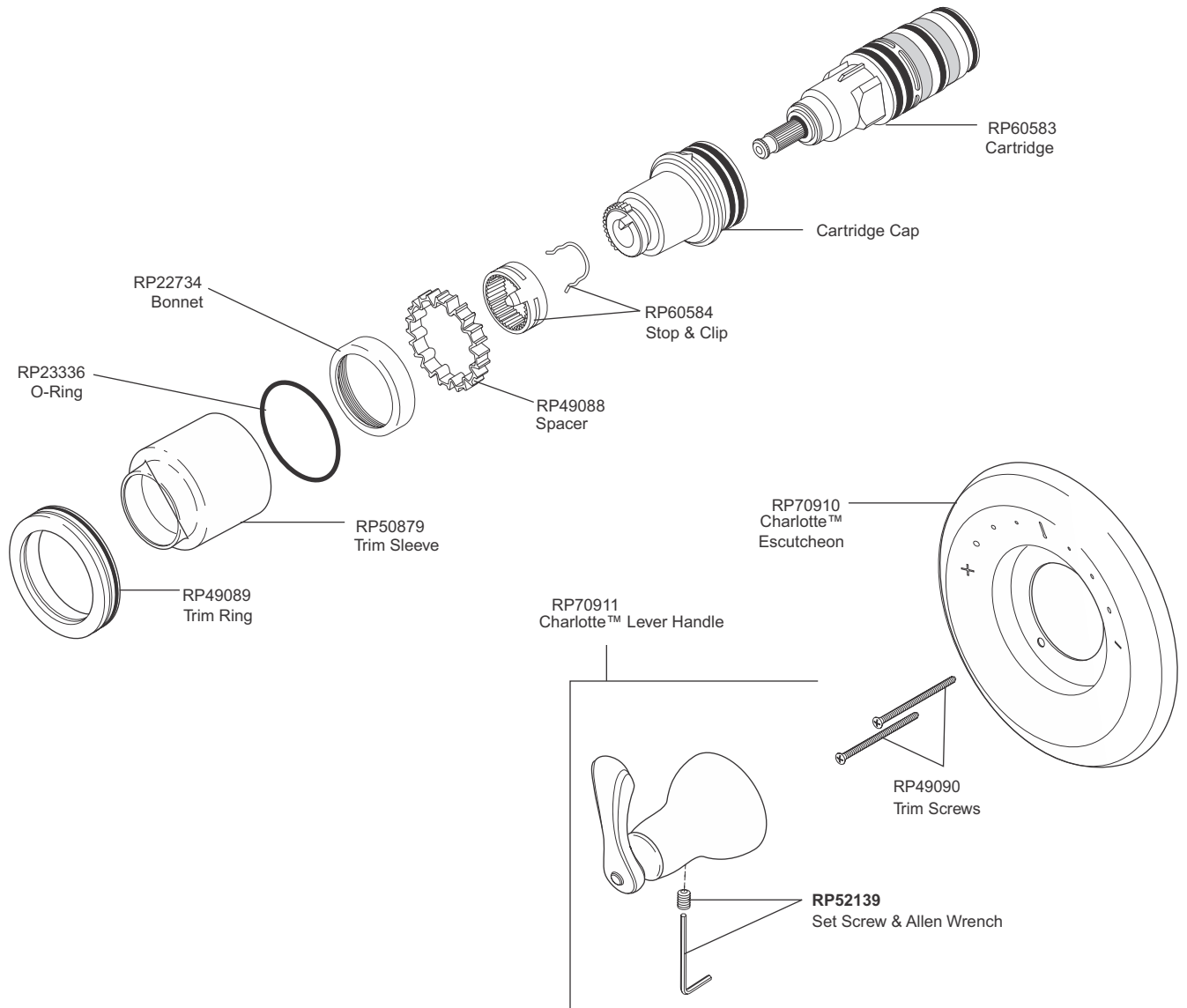
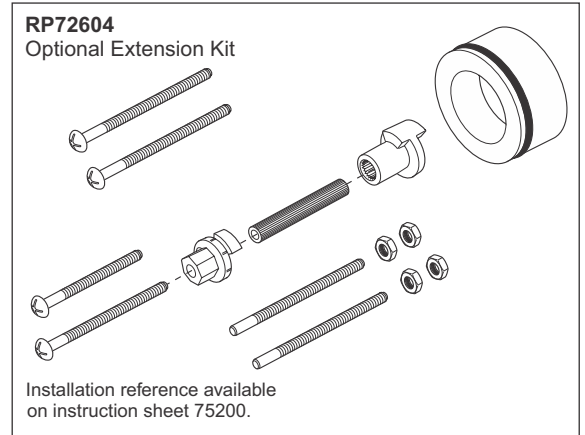
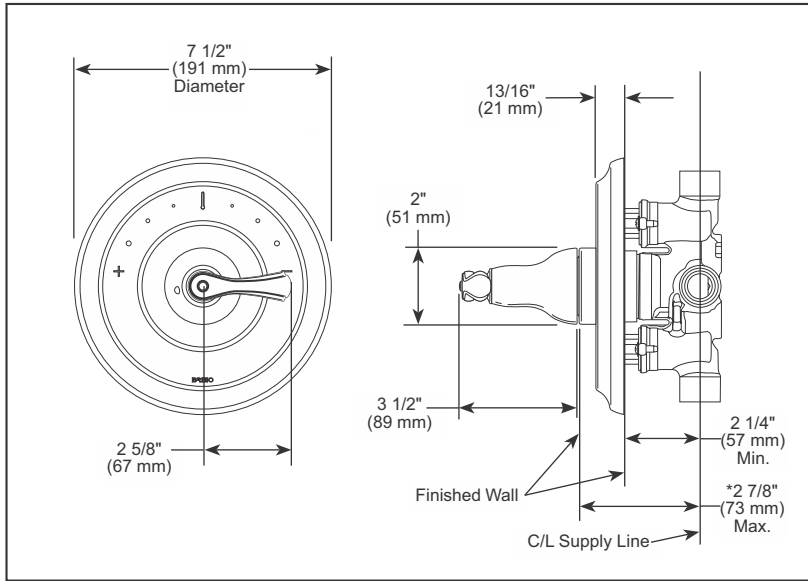
### Technical Specification Sheet



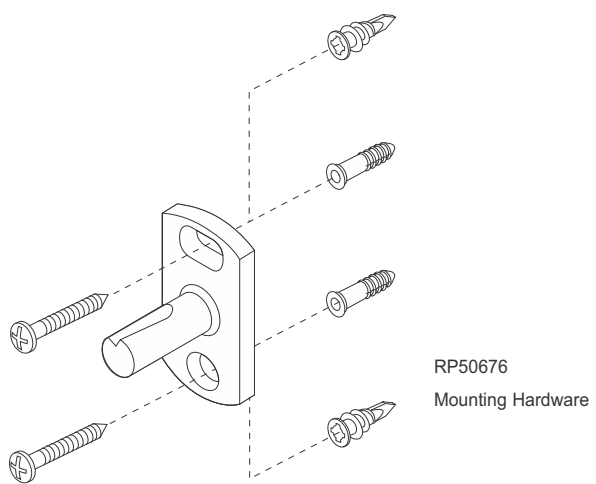
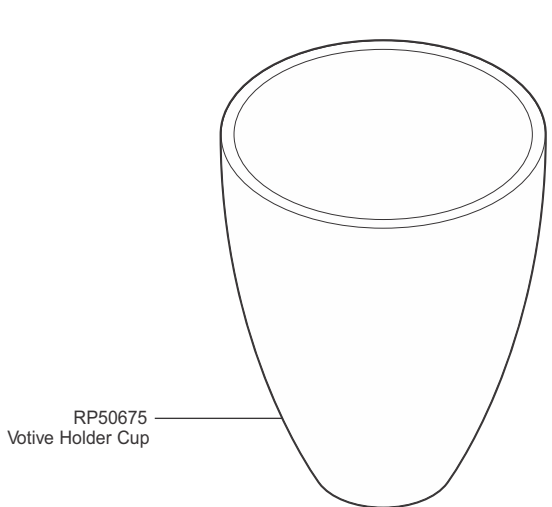
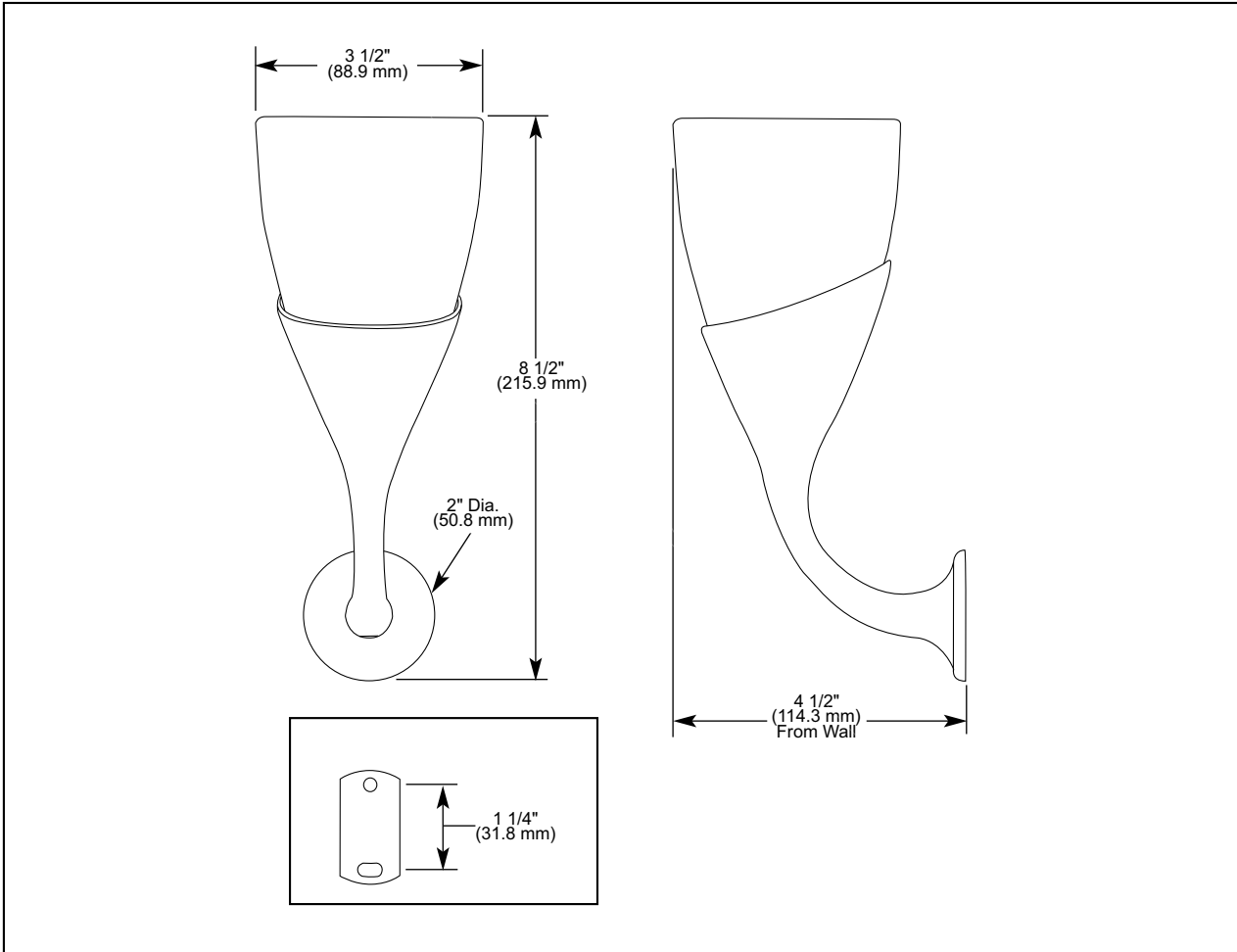
### Technical Specification Sheet



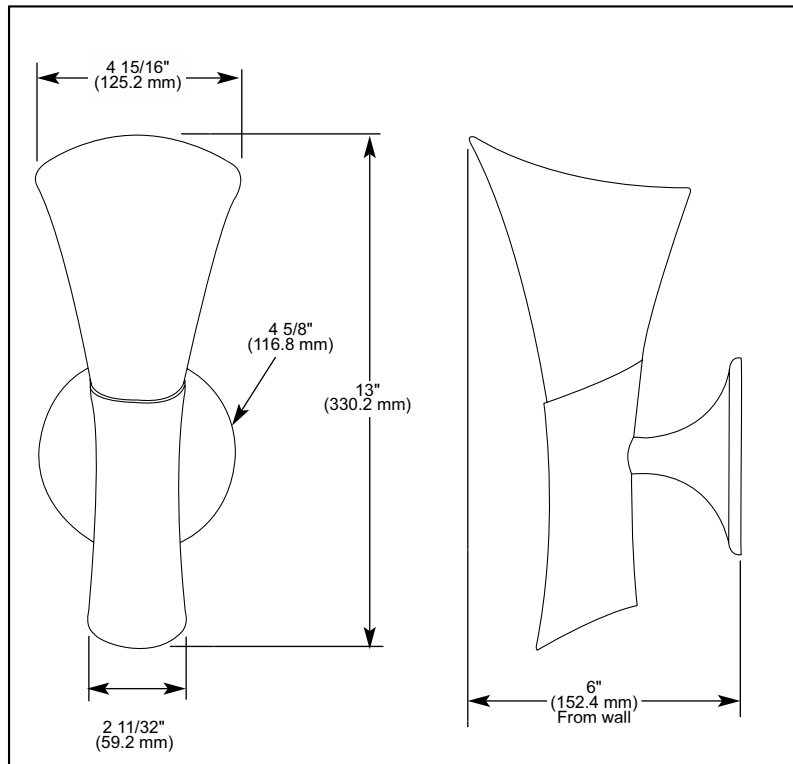
### Technical Specification Sheet



Technical Specification Sheet



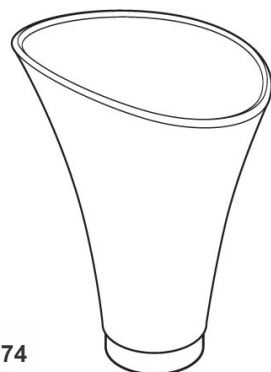
**Technical Specification Sheet**



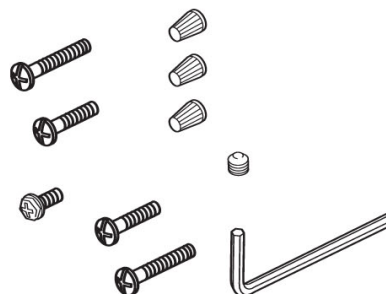
Replacement Parts:  
Piezas de Repuesto:  
Pièces de rechange

**RP50678**  
Thumb Screw  
Tornillo de Ajuste  
Vis à oreilles

▲ Specify Finish  
Especifique el Acabado  
Préciser le fini

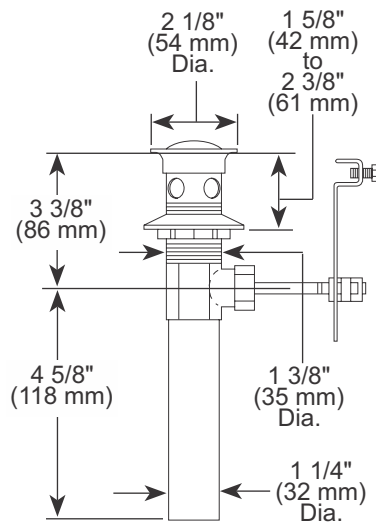
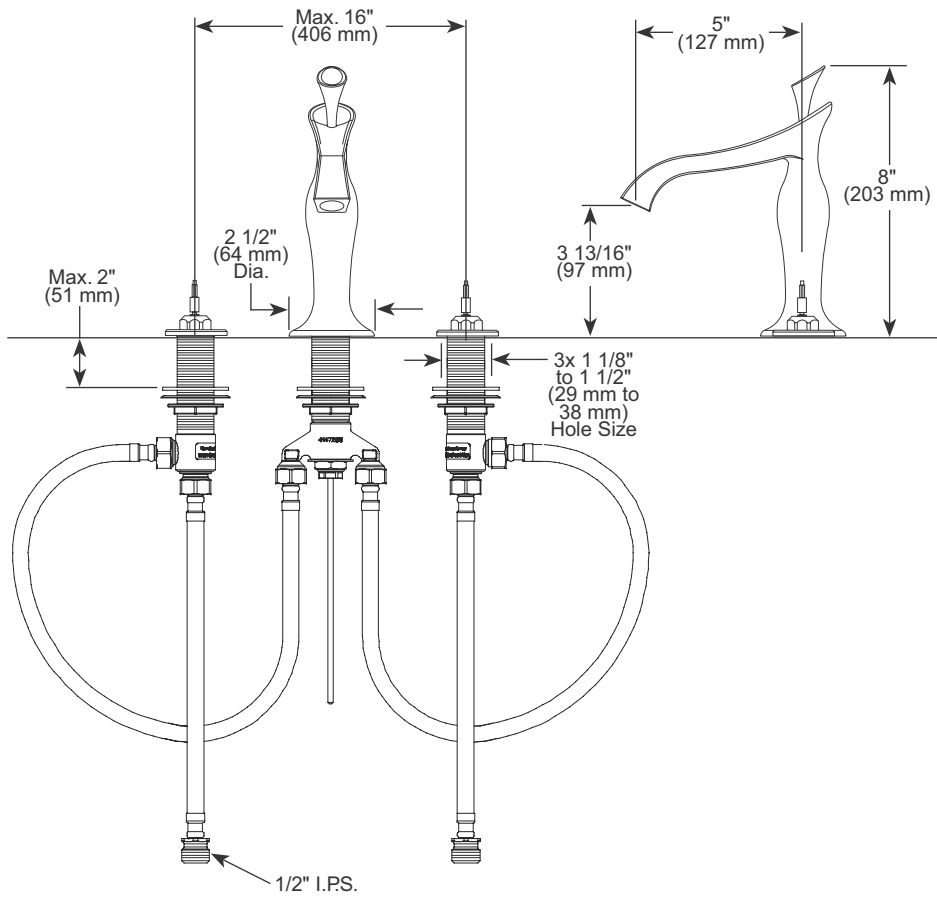


**RP50674**  
Glass Shade  
Pantalla para la Porta Velas  
Abat-jour en verre



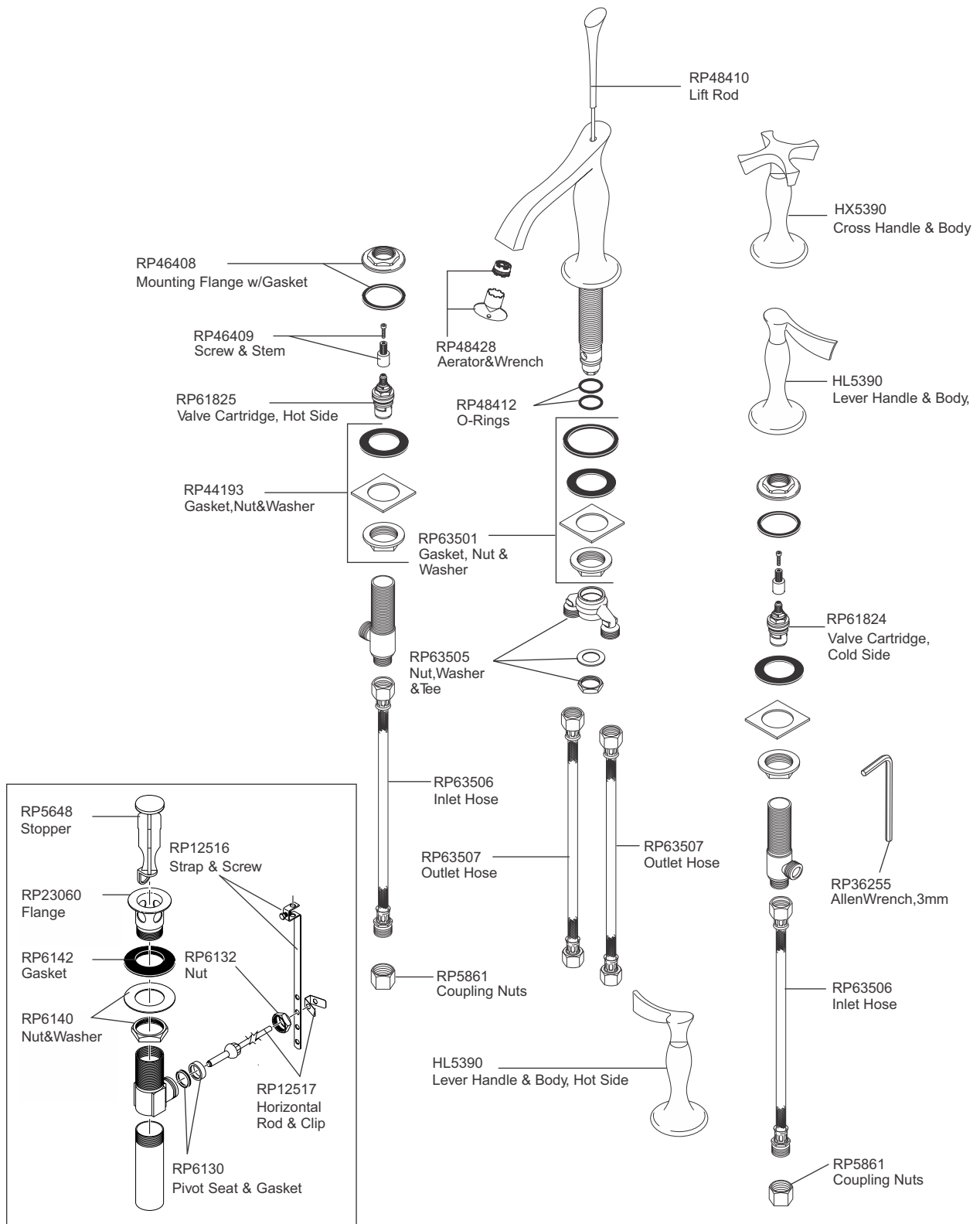
**RP50679**  
Mounting Hardware  
Herraje de Instalación  
Pièces de montage

**Technical Specification Sheet**



## RSVP 2-Handle Deck Mount Lav Faucet without Handle Trim

## 65390LF-PCLHP

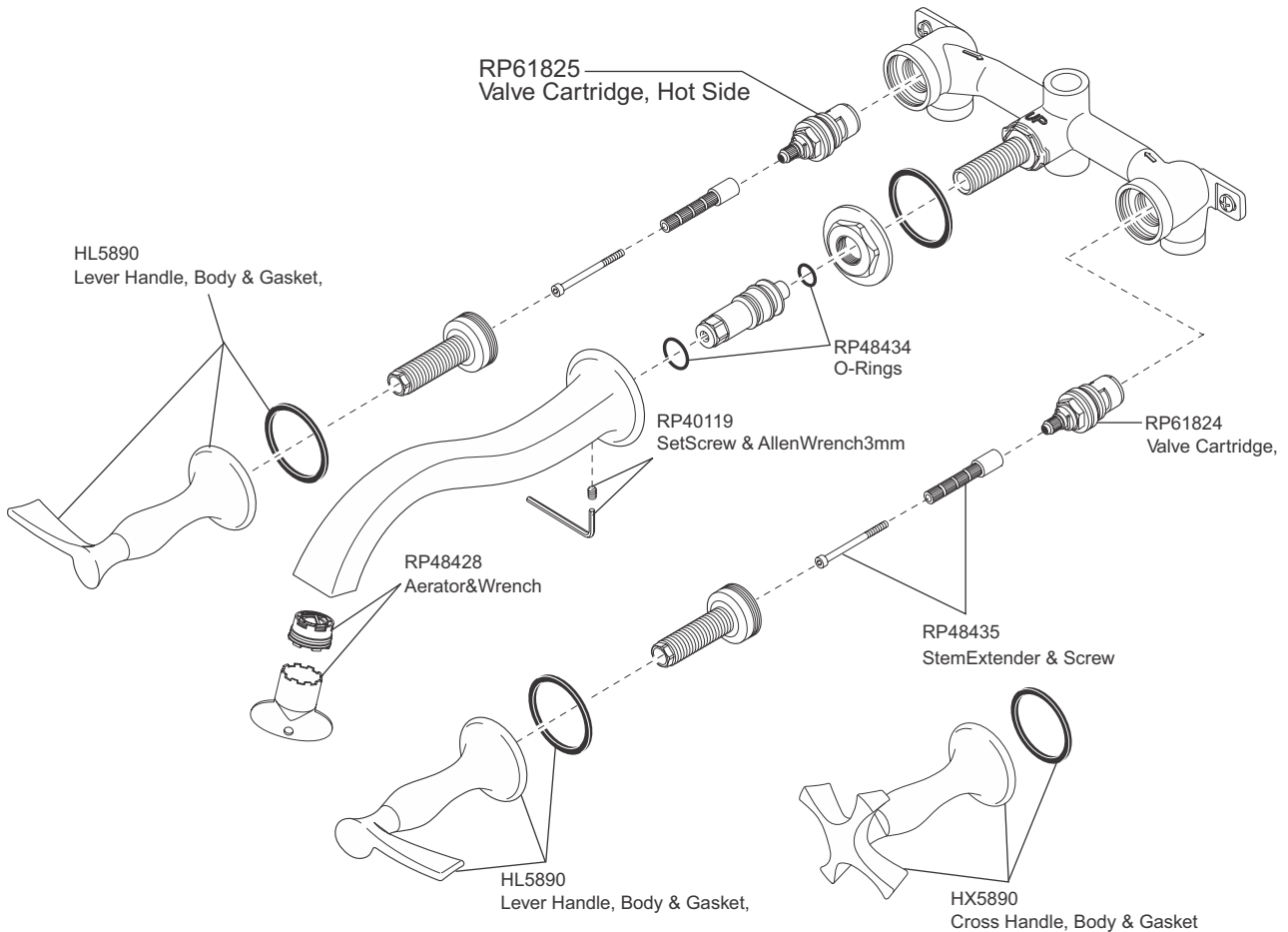
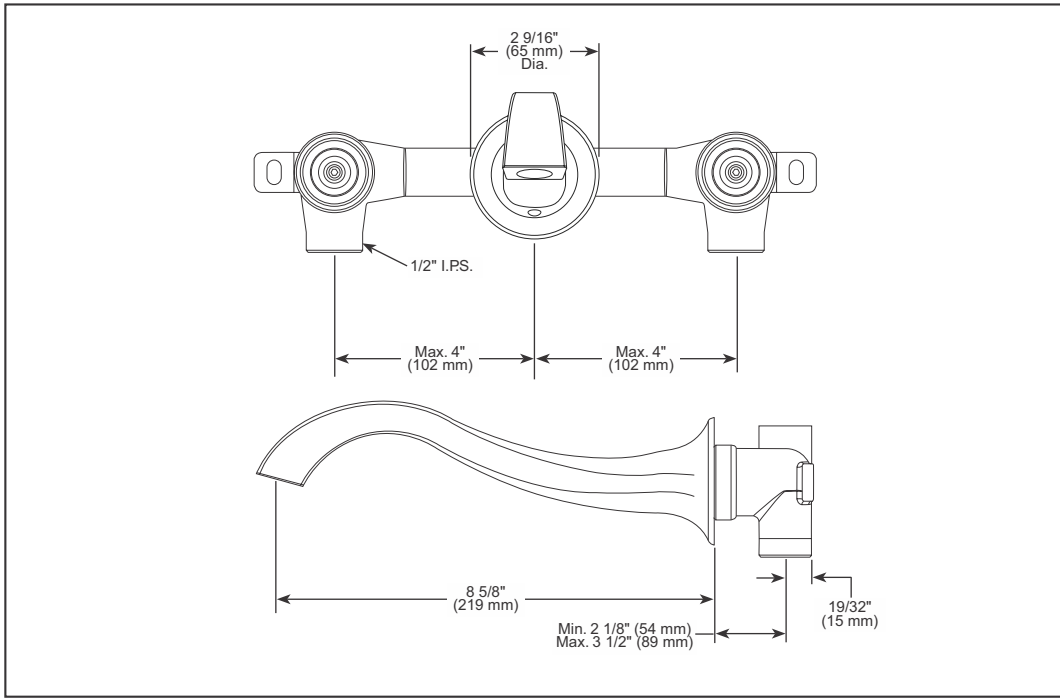




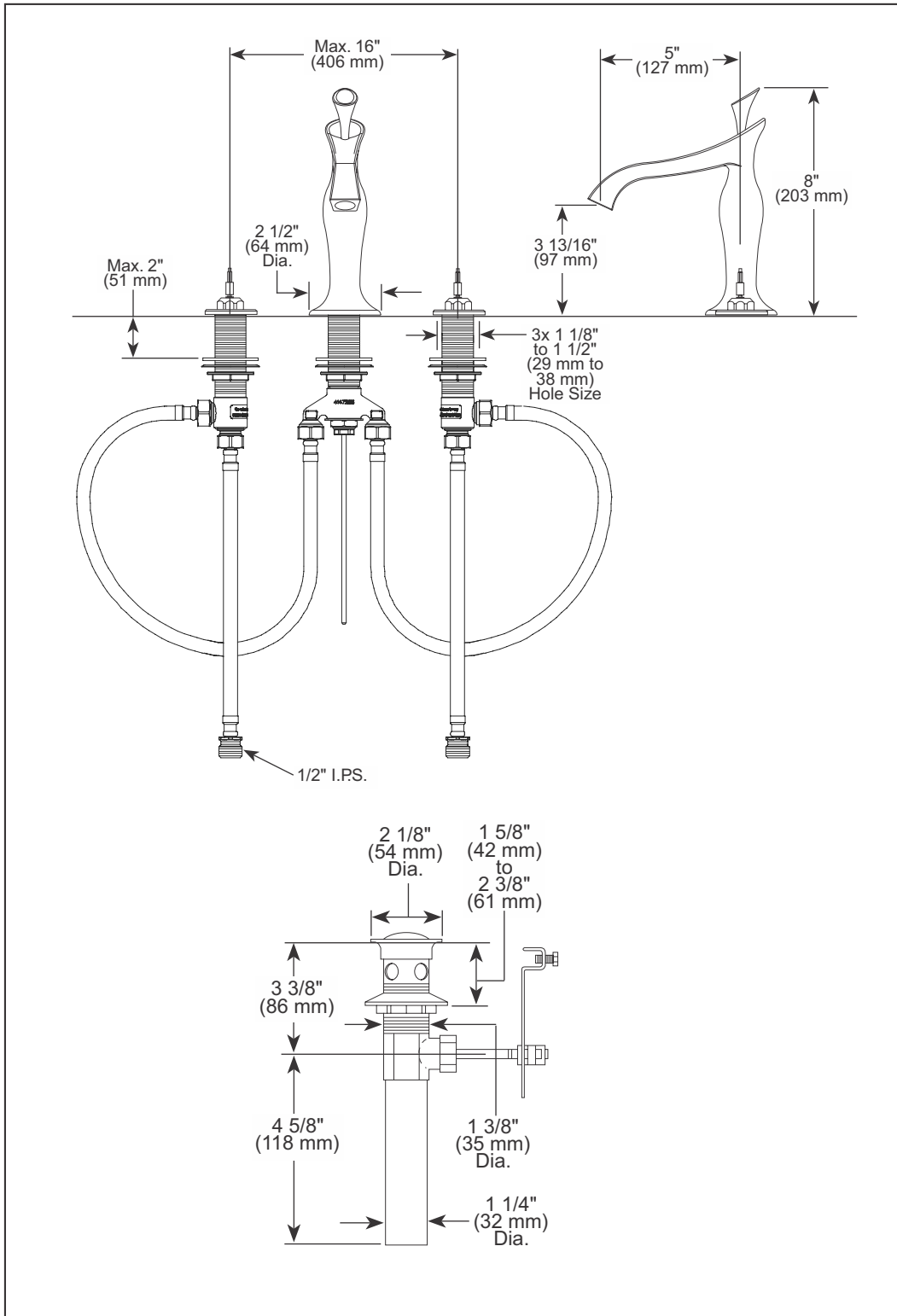
**RSVP 2-Handle Wall Mount Lav Faucet without Handle Trim**

**65890LF-PCLHP**

**Technical Specification Sheet**

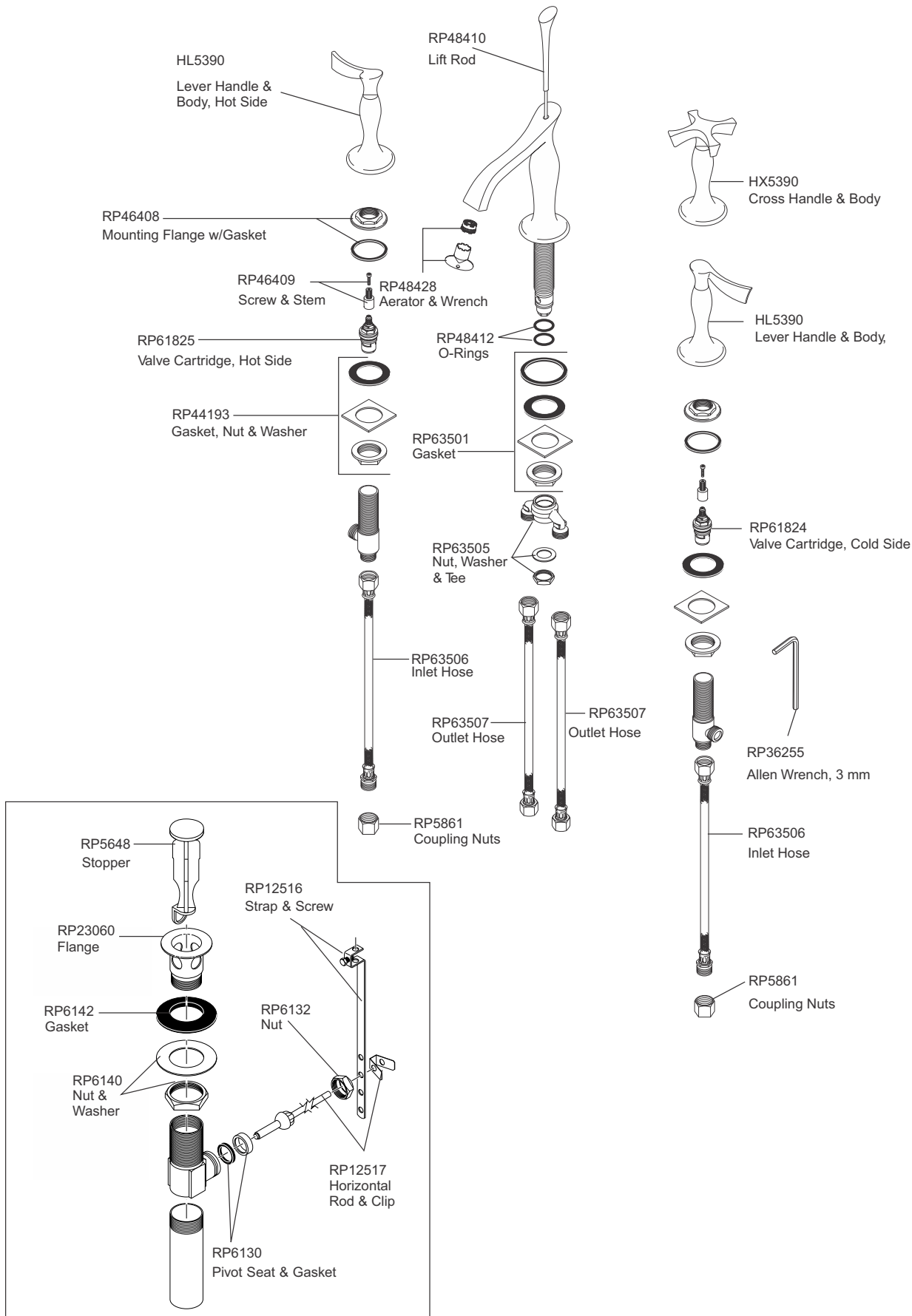


Technical Specification Sheet

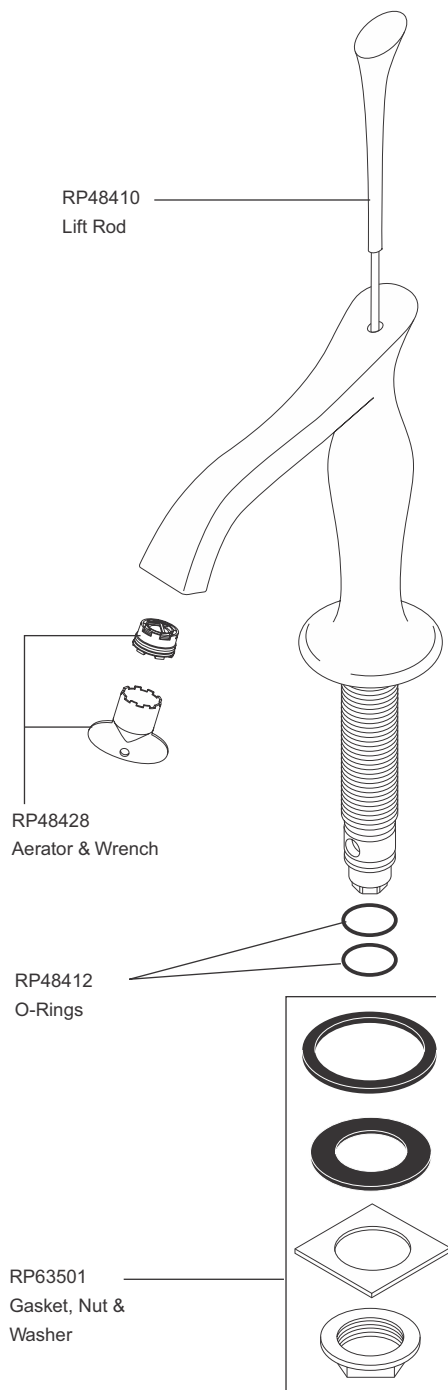
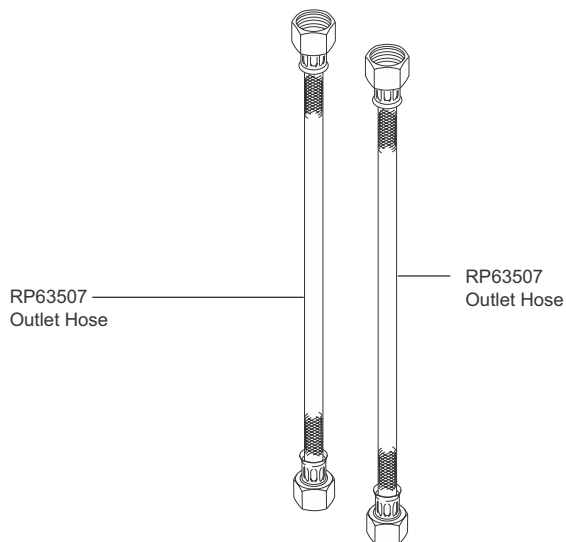
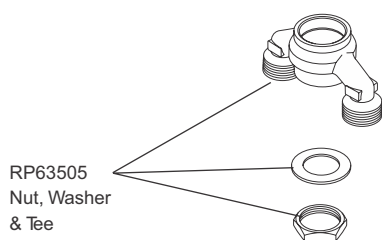
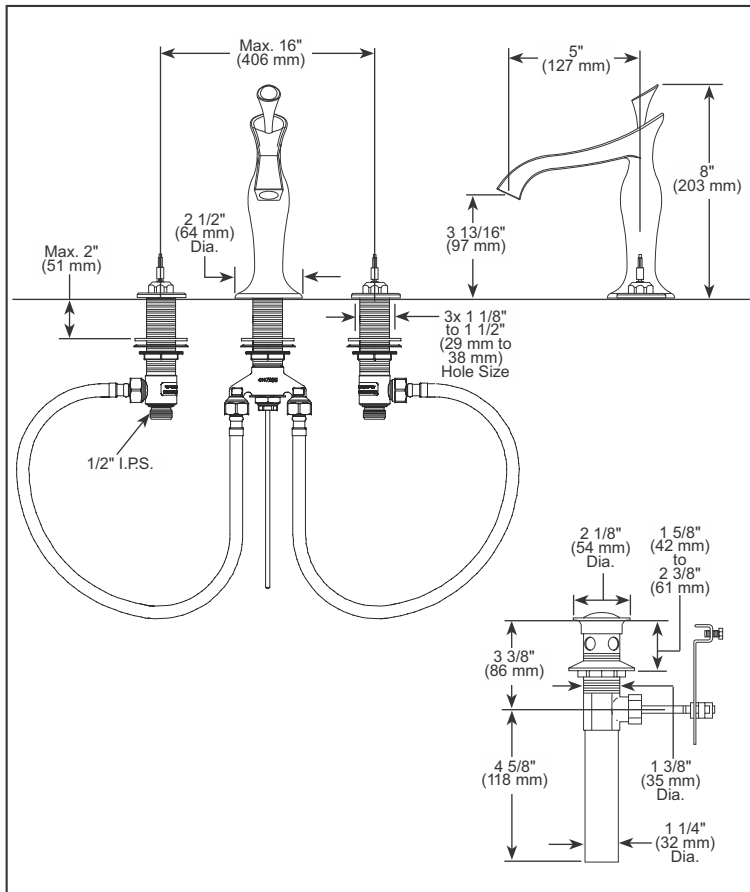


## RSVP Crystal Finial for Lav Faucet

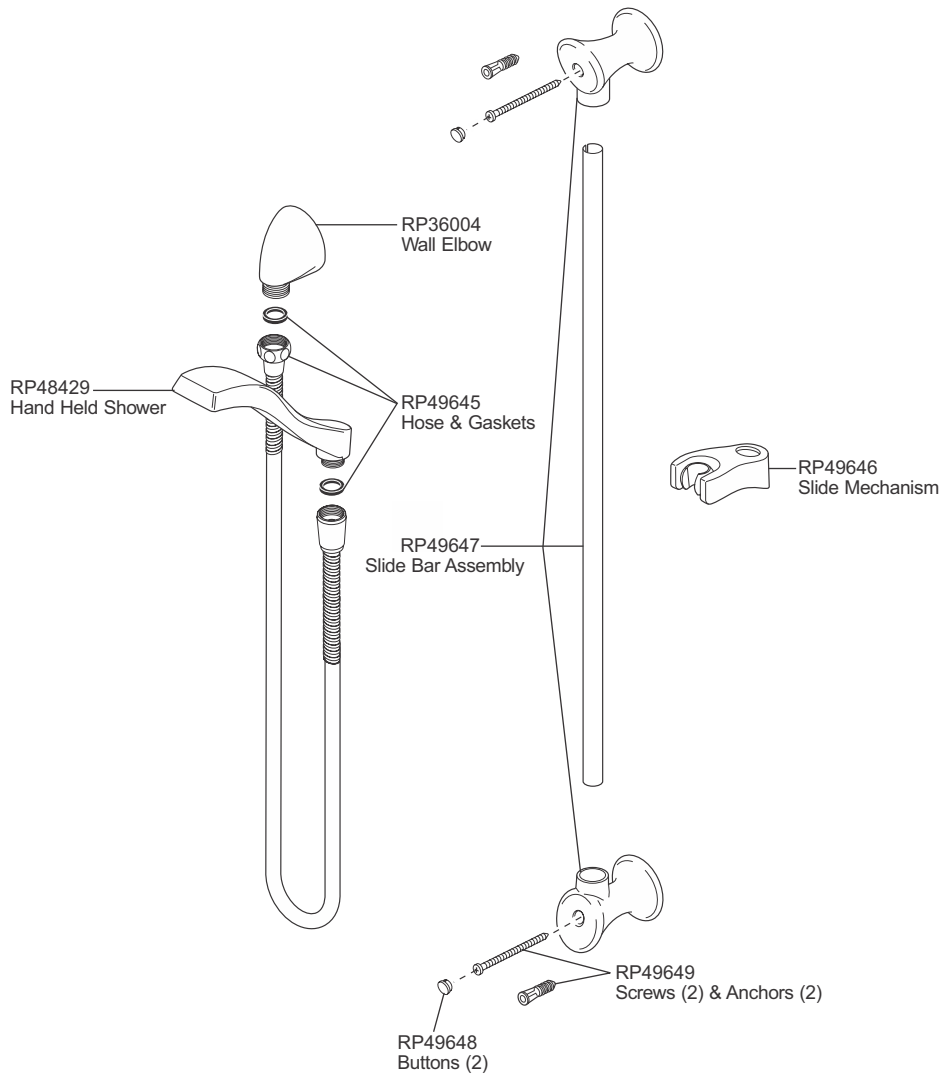
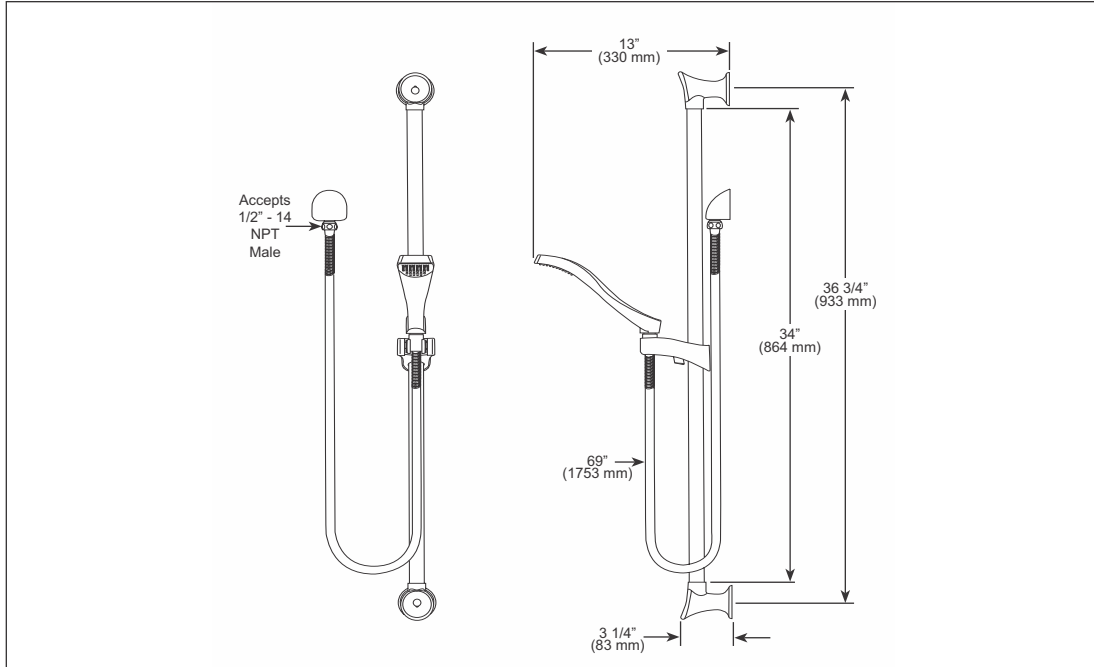
## RP47958PC



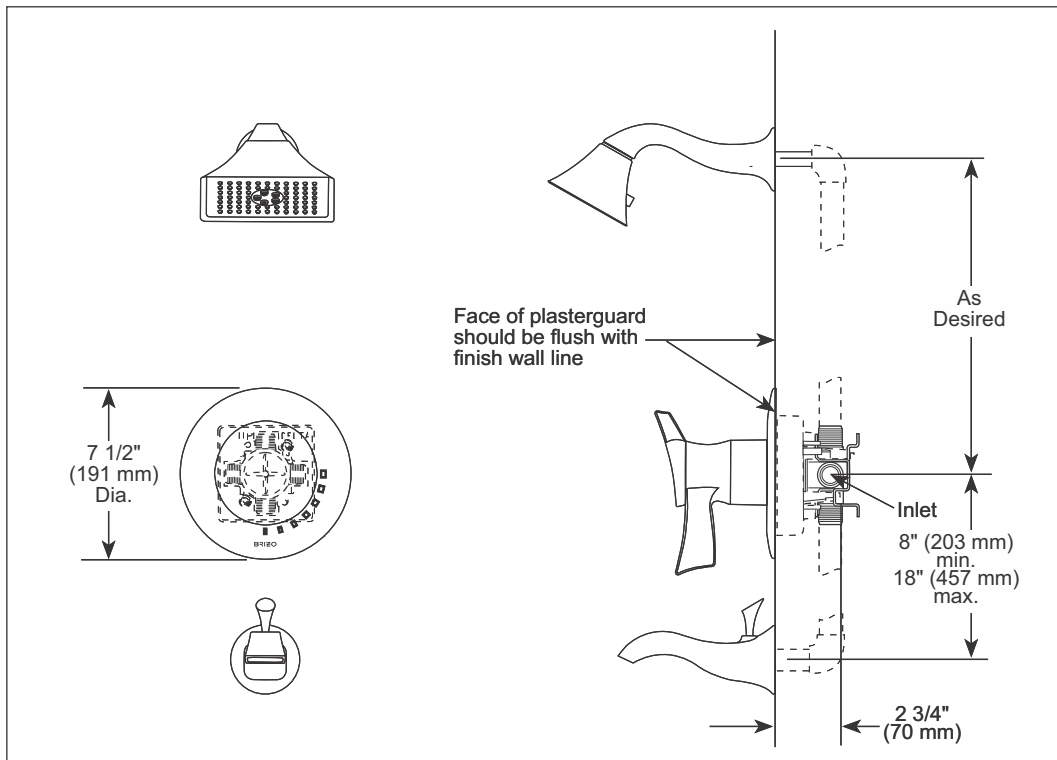
### Technical Specification Sheet



**Technical Specification Sheet**

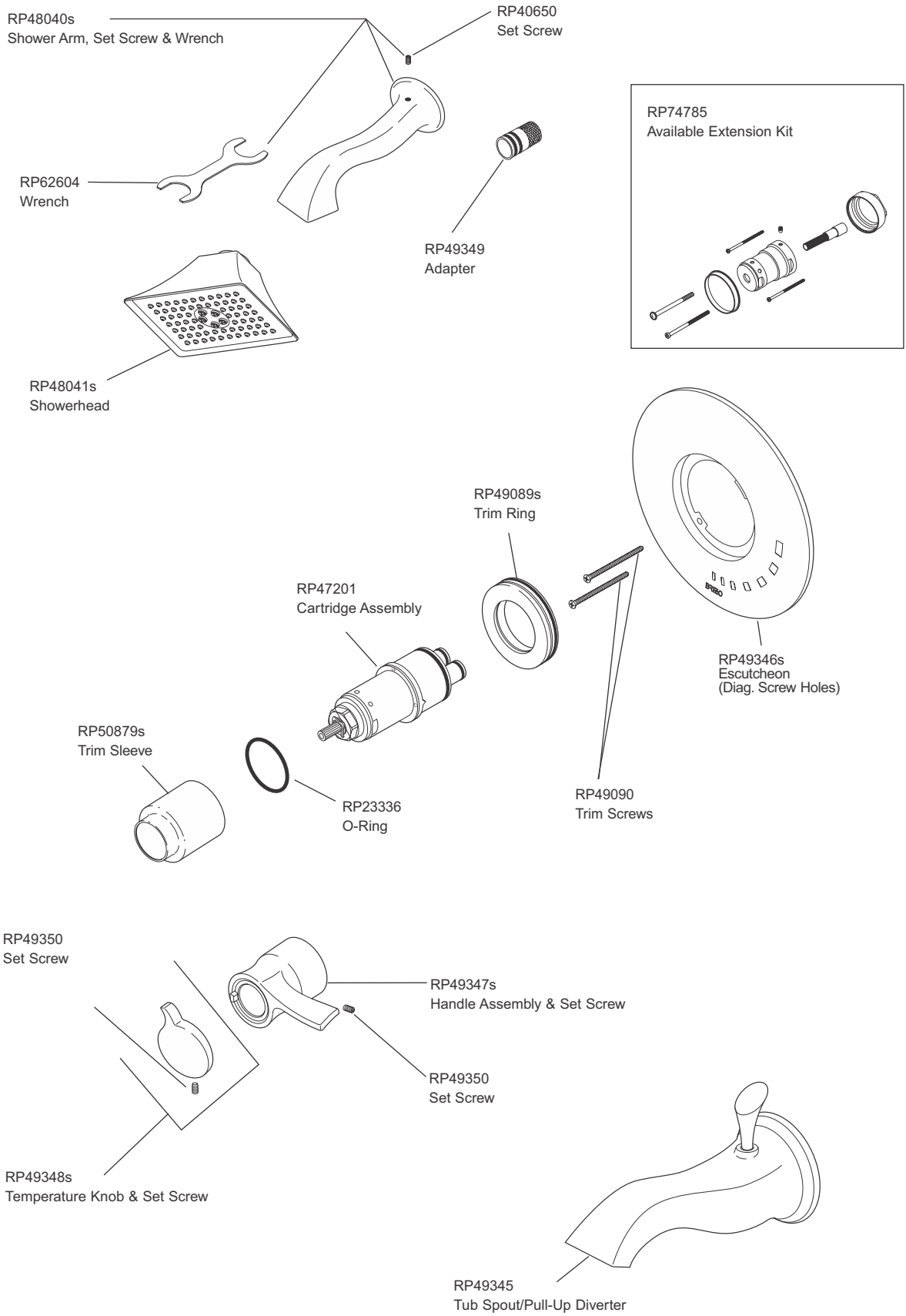


### Technical Specification Sheet



## RSVP TempAssure Thermostatic Valve Trim

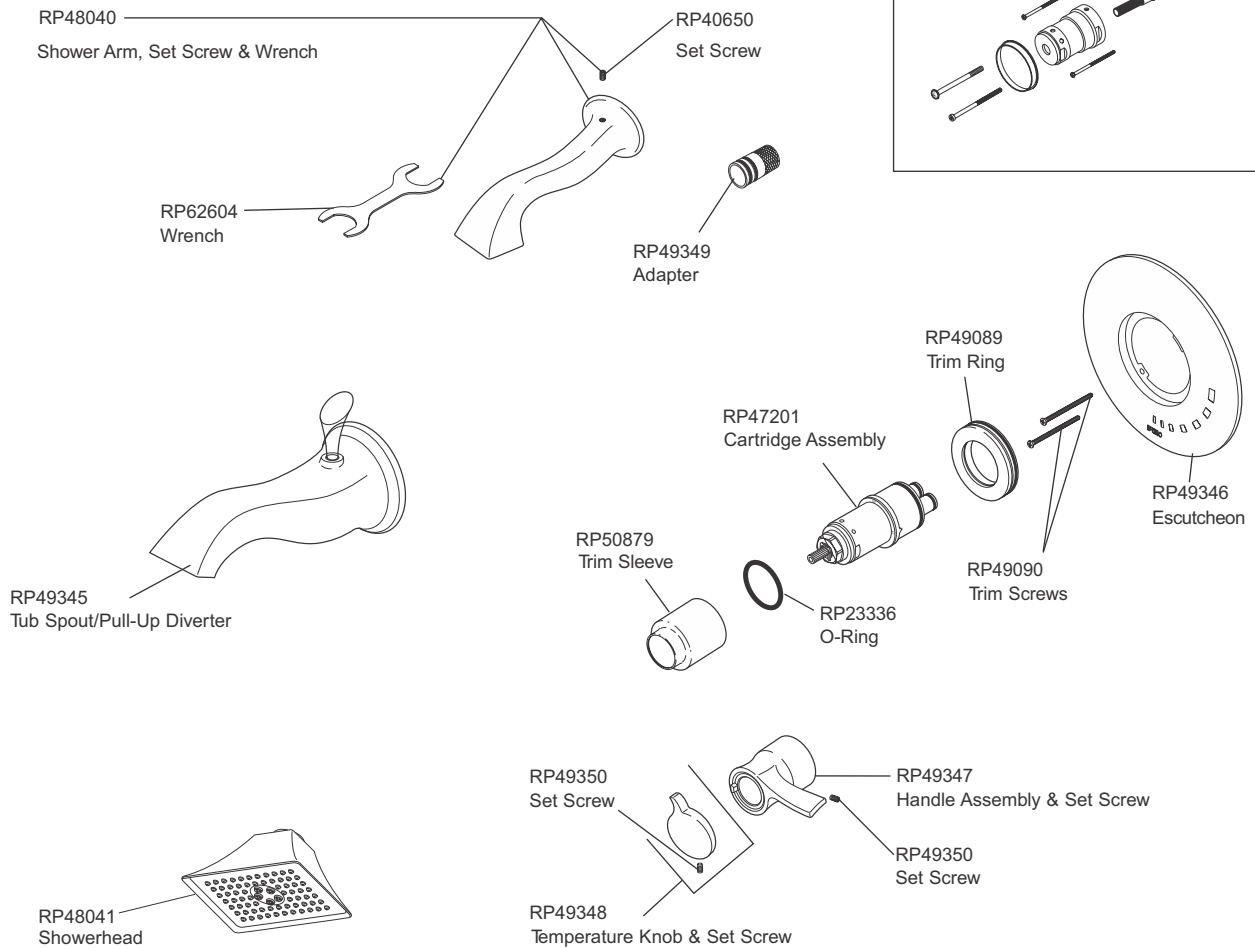
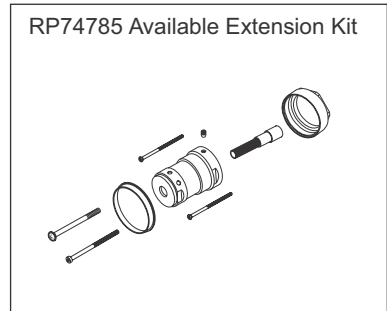
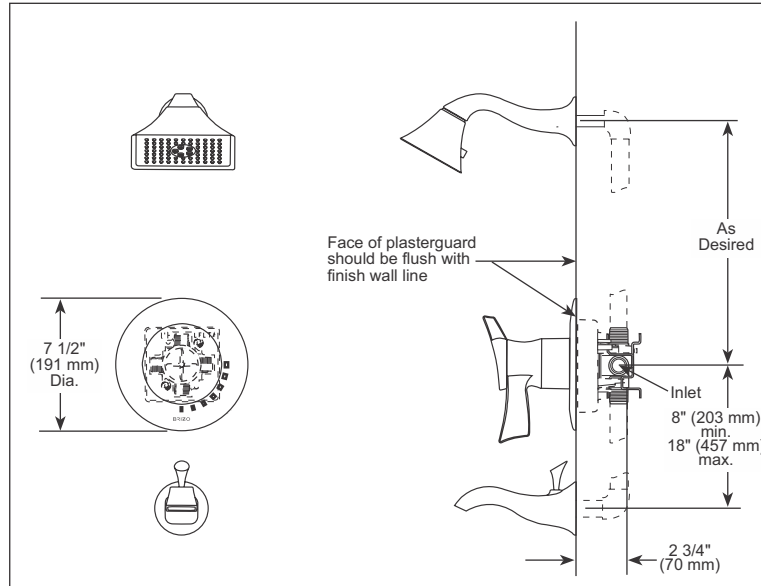
## T60090-PC



## RSVP Bundled Tub & Shower with TempAssure Thermostatic Trim and 3-Function Showerhead

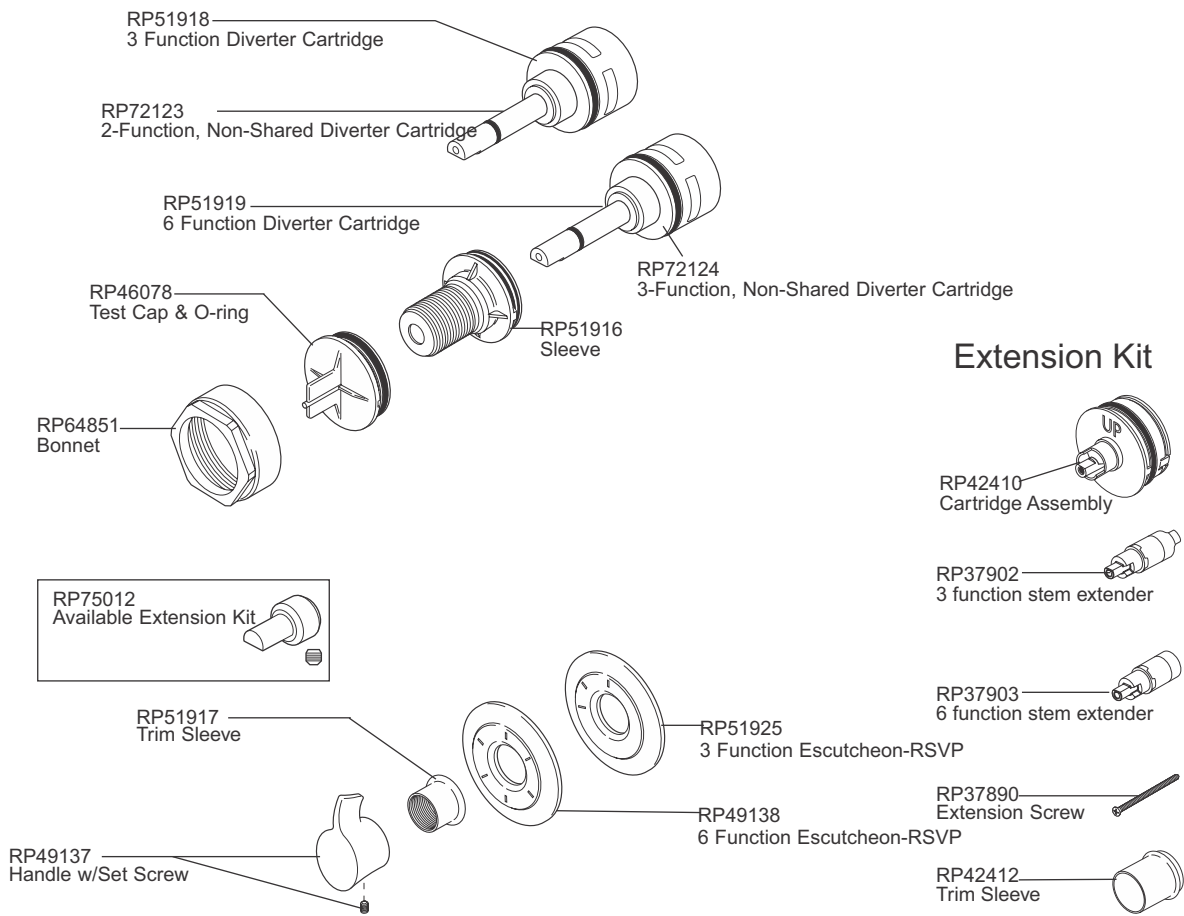
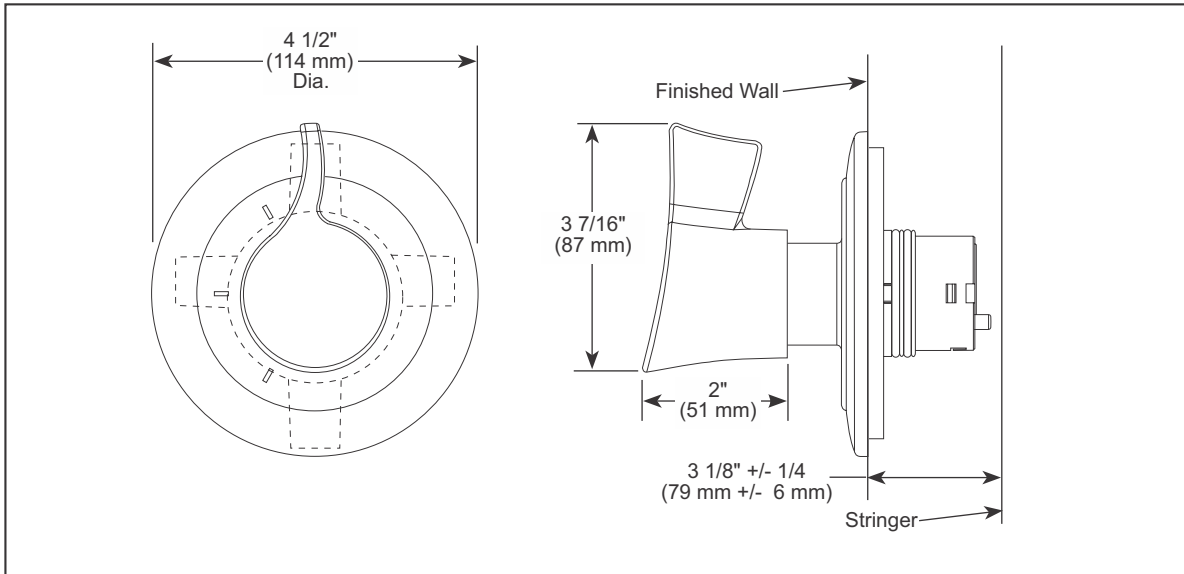
### T60490-PC

### Technical Specification Sheet

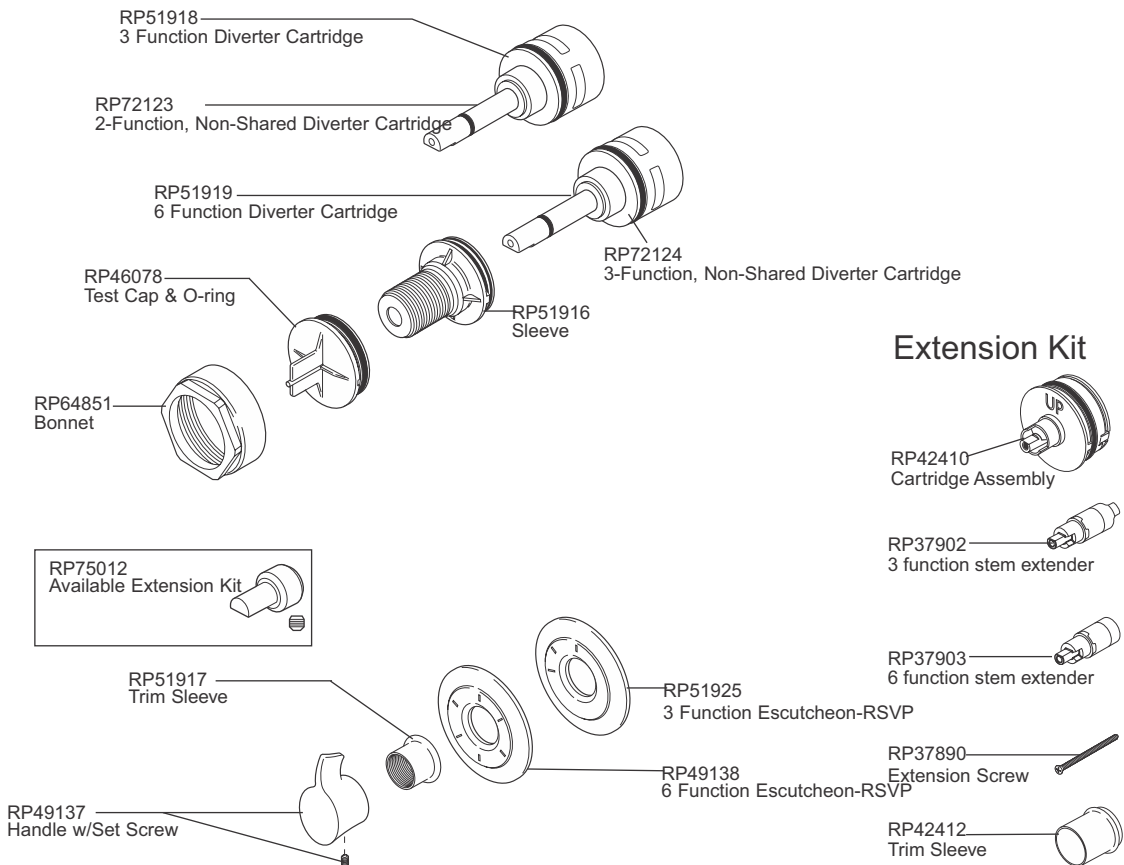
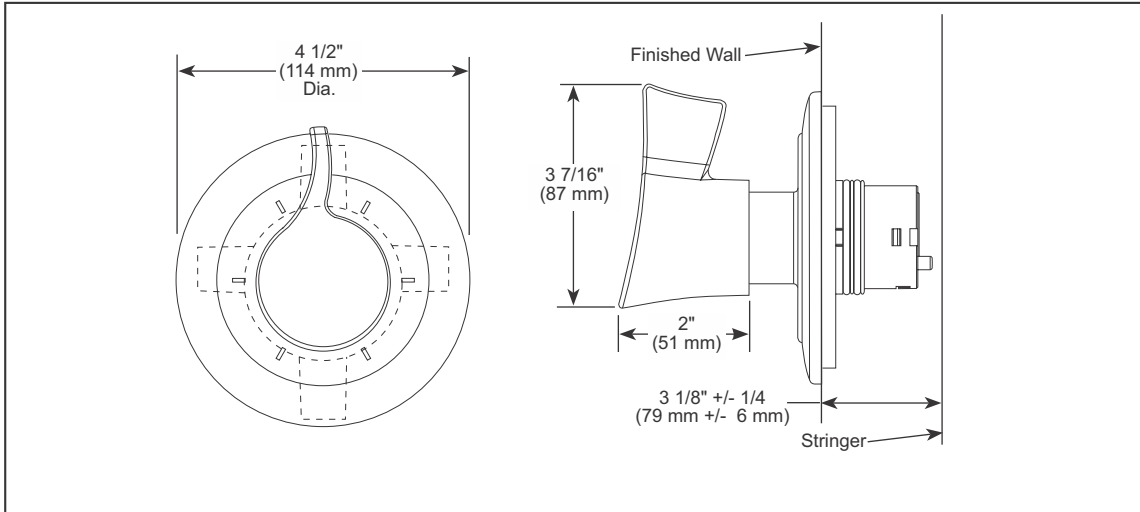




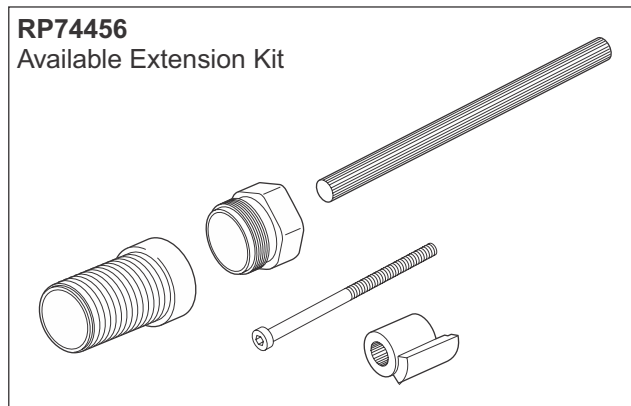
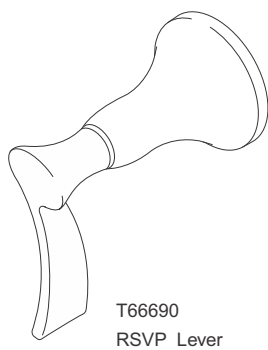
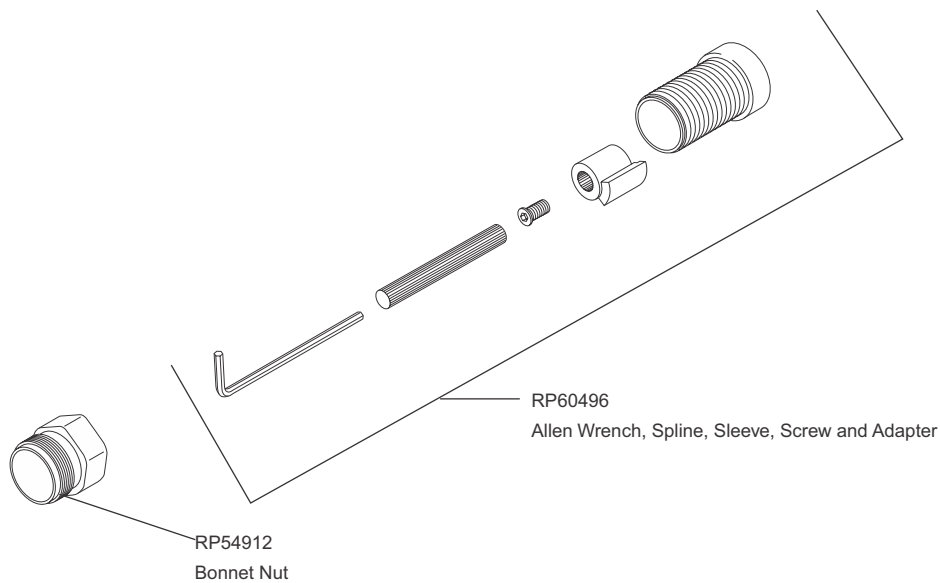
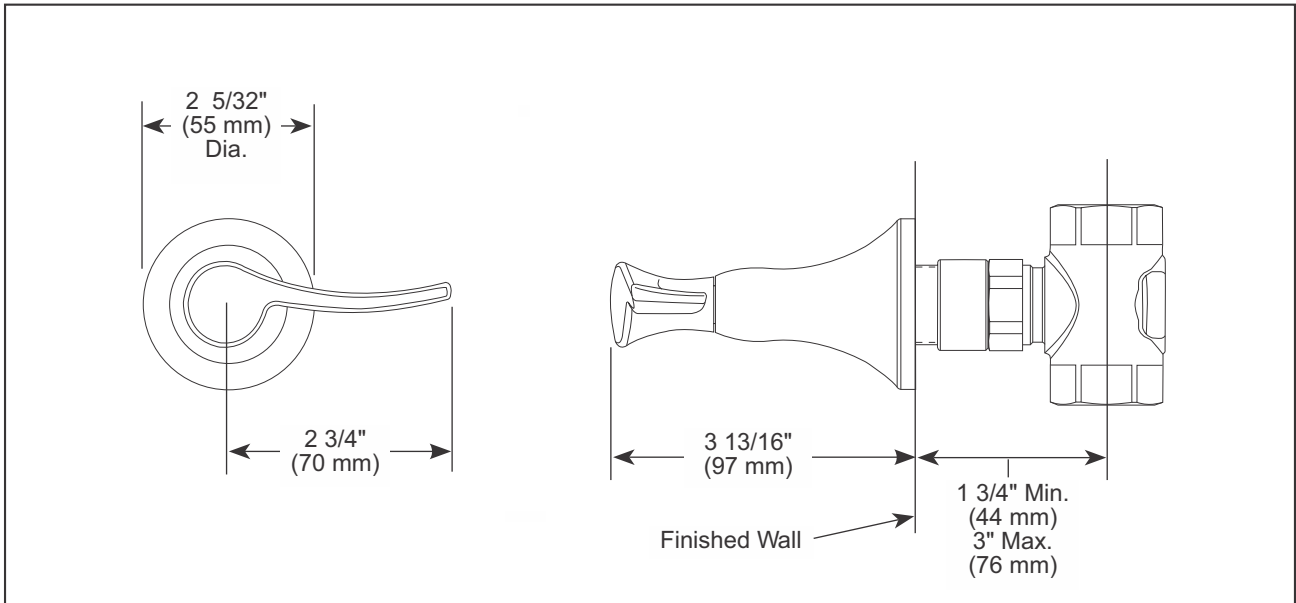
**Technical Specification Sheet**



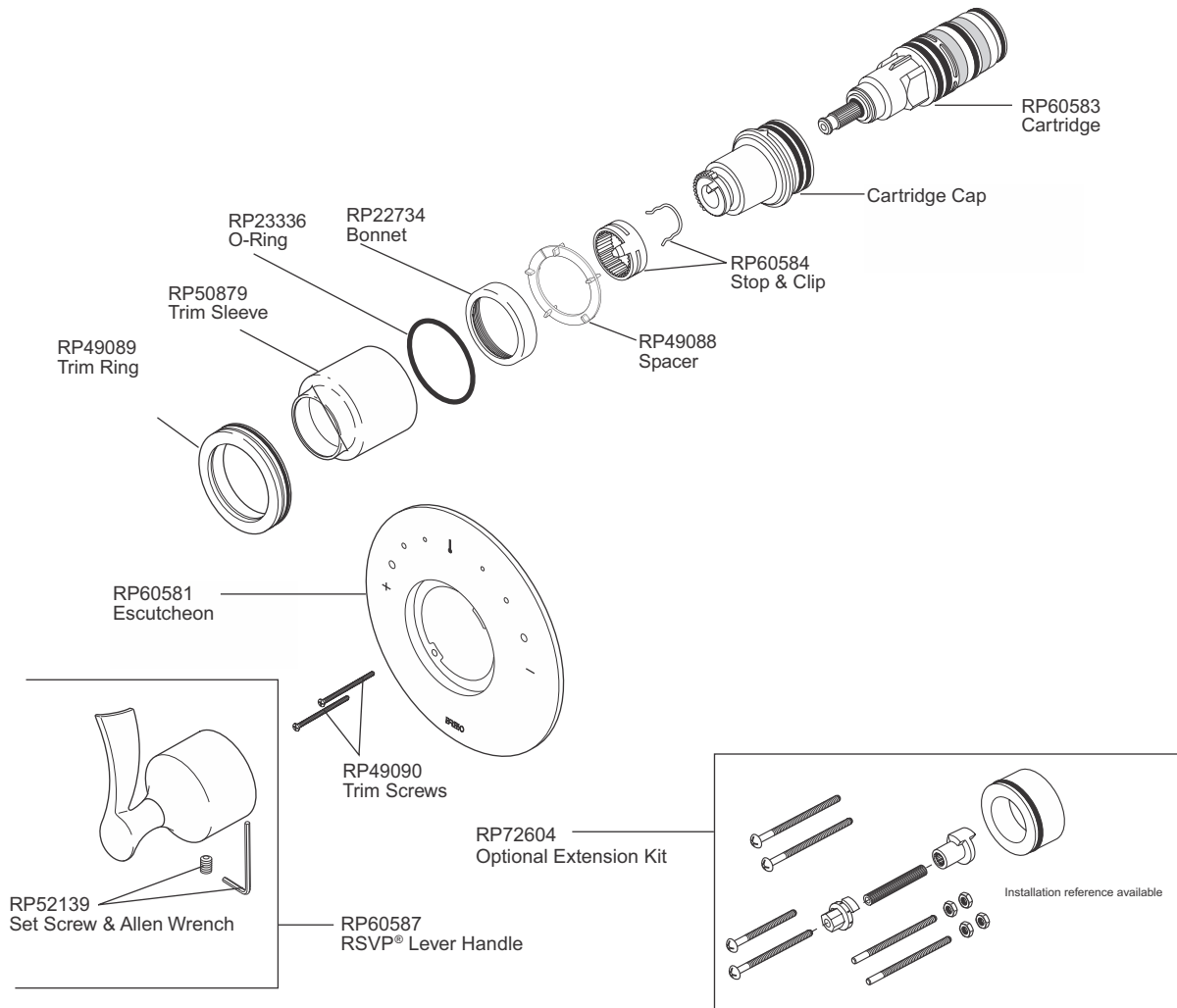
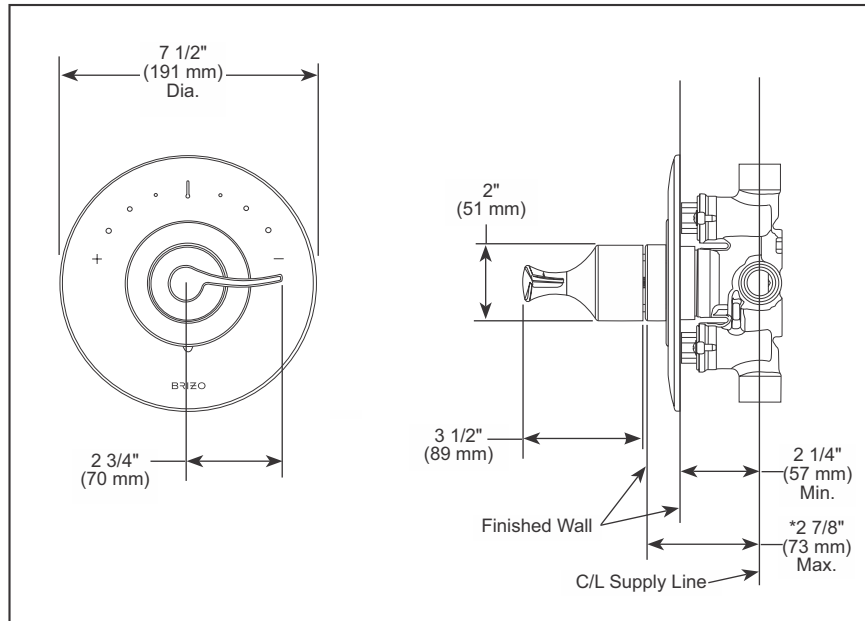
**Technical Specification Sheet**



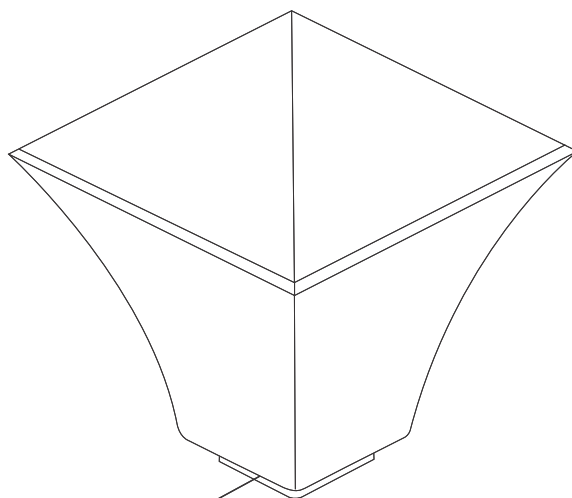
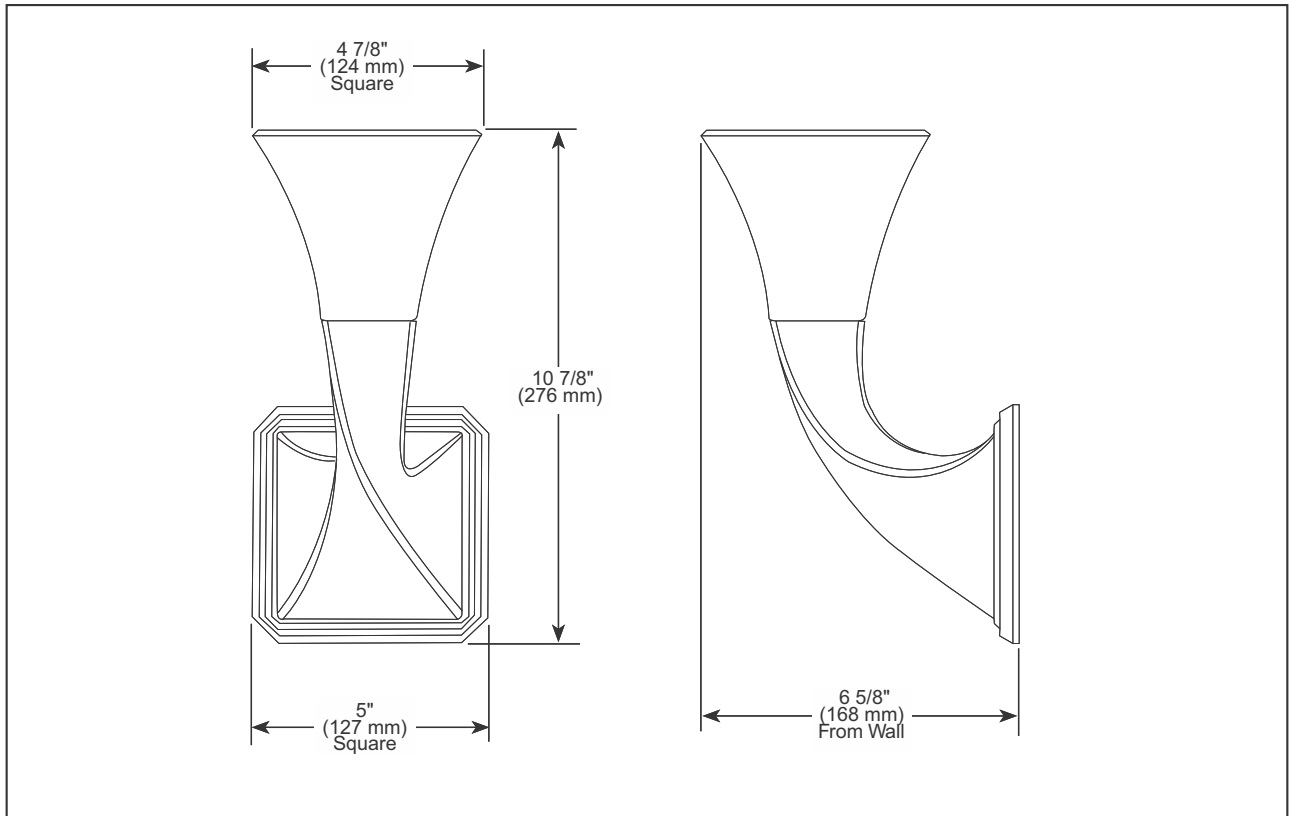
### Technical Specification Sheet



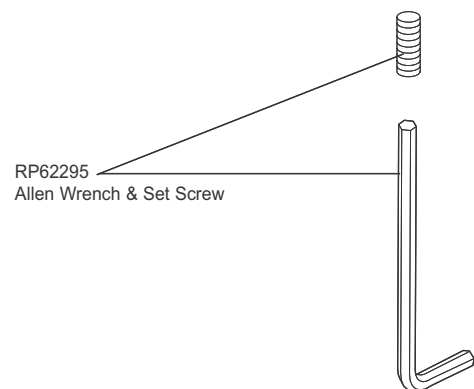
### Technical Specification Sheet



### Technical Specification Sheet

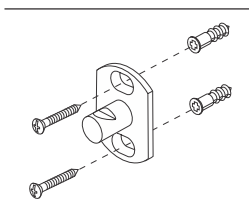
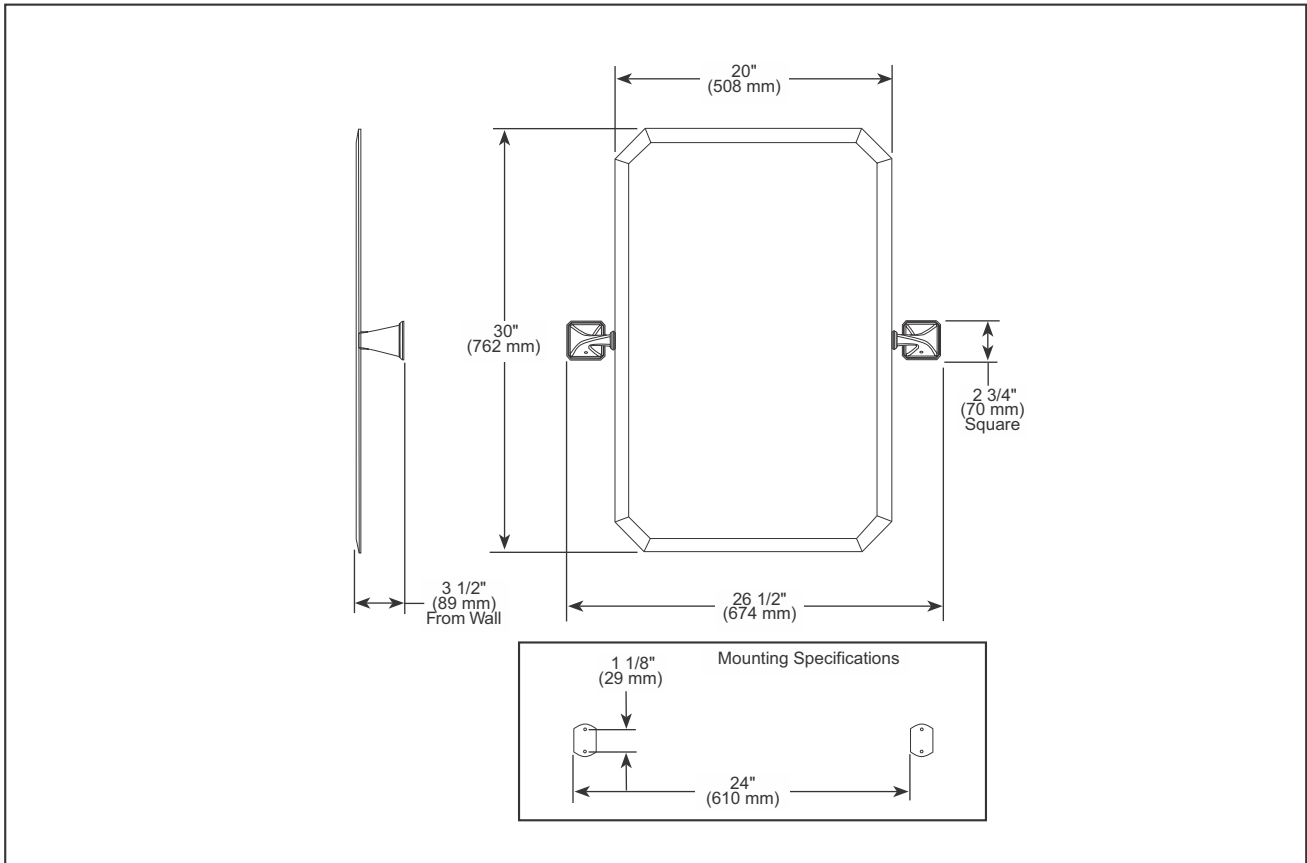


RP62294  
Glass Shade

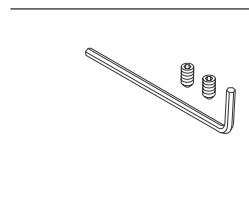


RP62295  
Allen Wrench & Set Screw

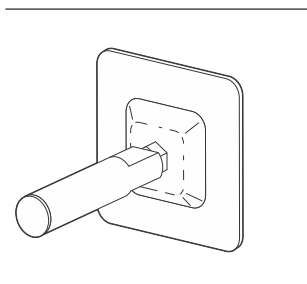
**Technical Specification**



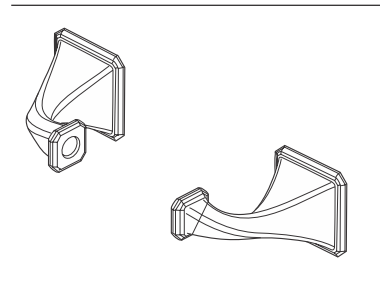
RP62244  
Mounting Hardware



RP62245  
Set Screws (2)



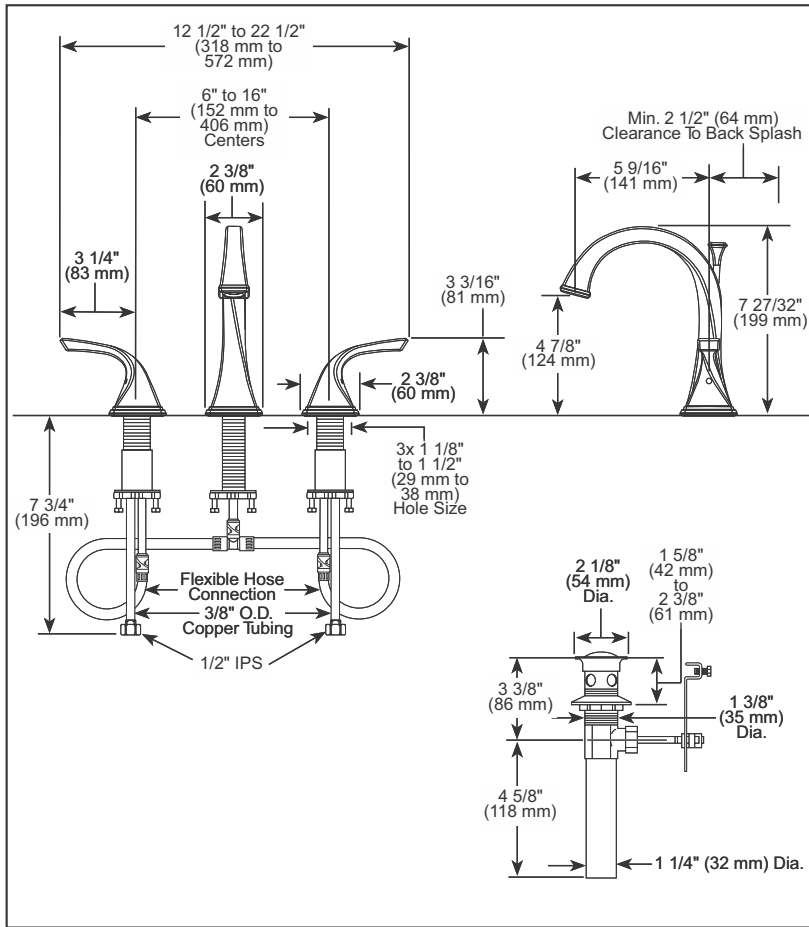
RP71229  
Adjustable Post



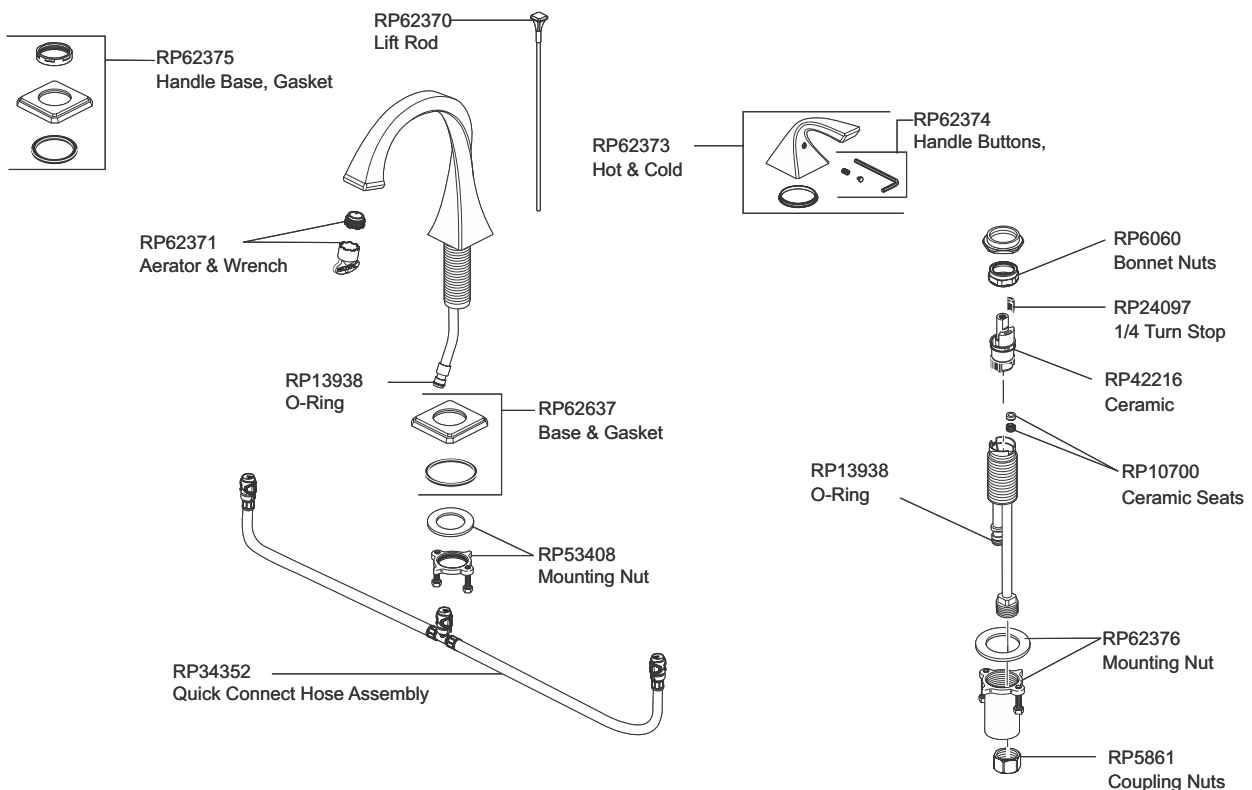
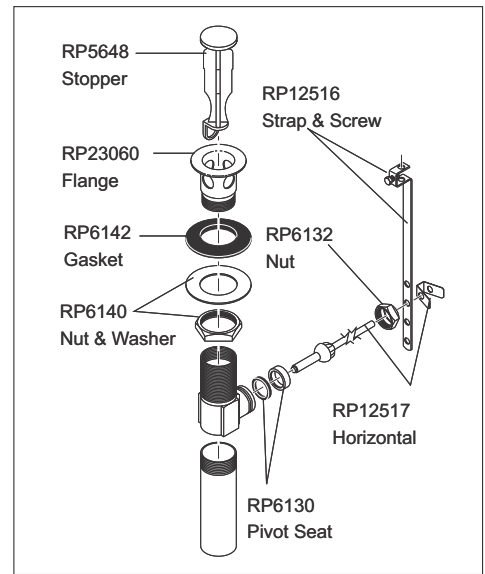
RP62453  
Mirror Posts (2)

## Virage 2-Handle Deck Mount Lav Faucet

## 65330LF-PN



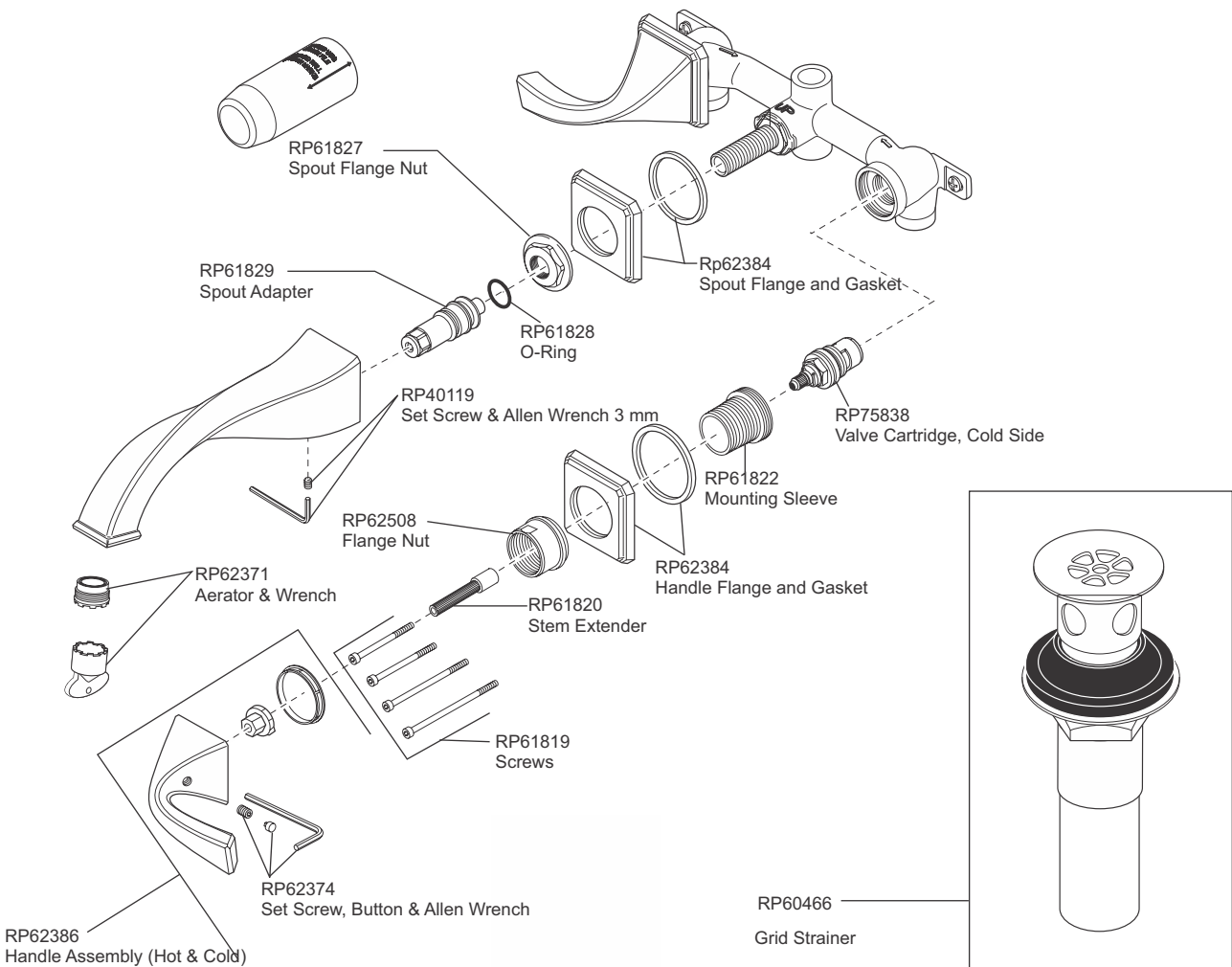
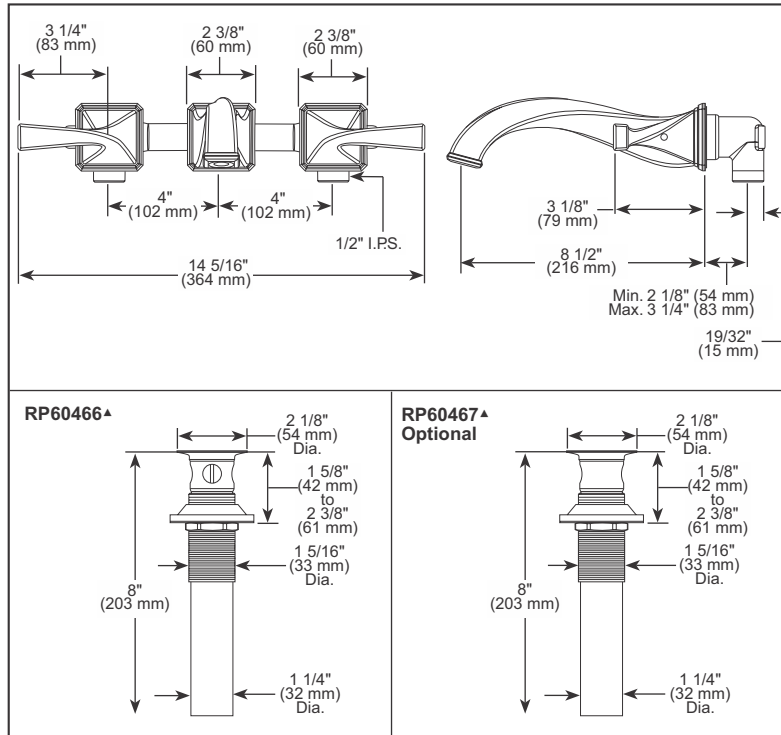
## Technical Specification Sheet



## Virage 2-Handle Wall Mount Lav Faucet

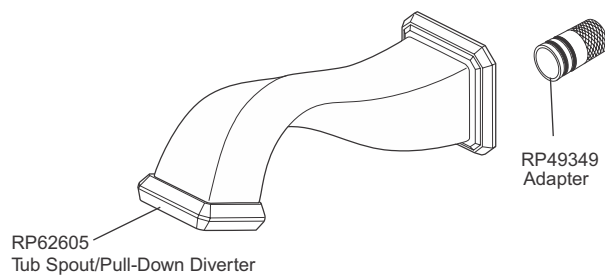
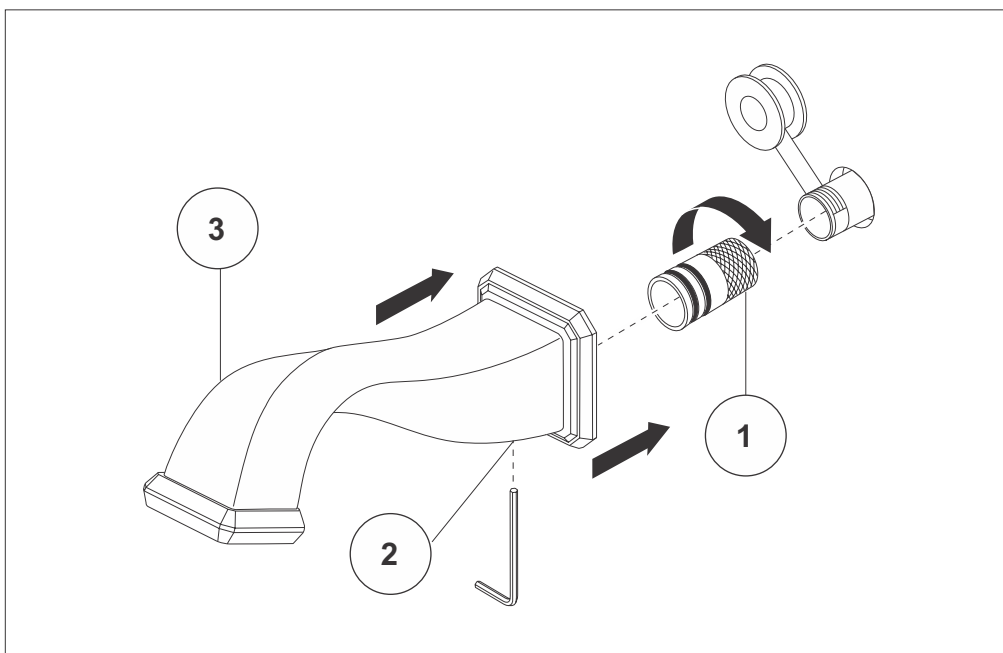
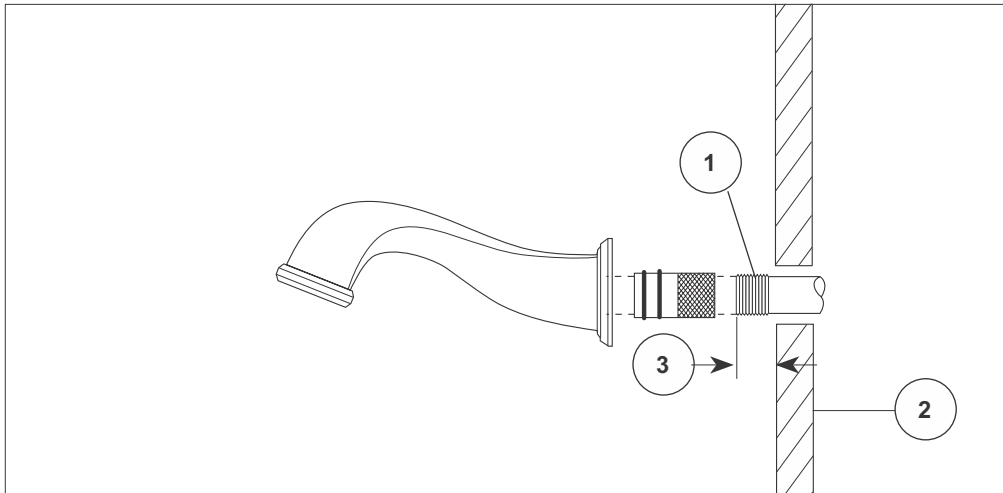
## 65830LF-PN

### Technical Specification Sheet





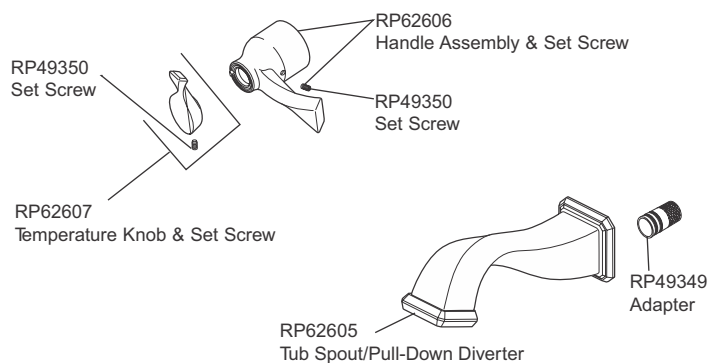
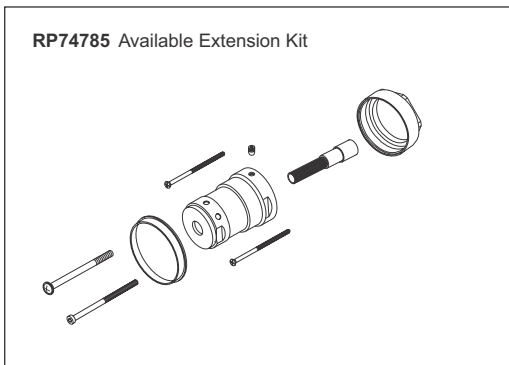
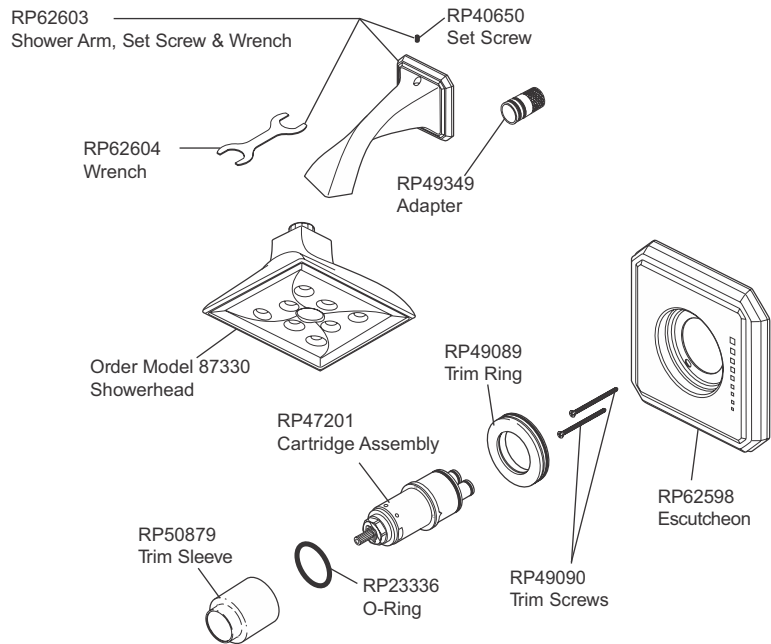
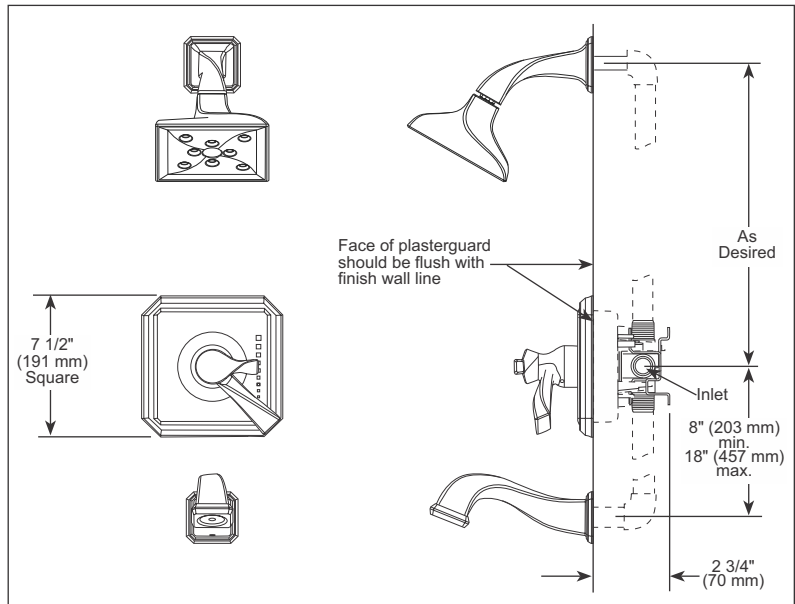
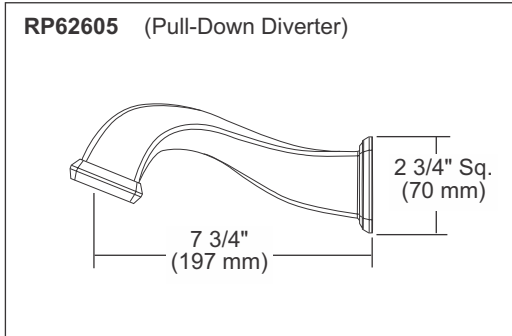
### Technical Specification Sheet



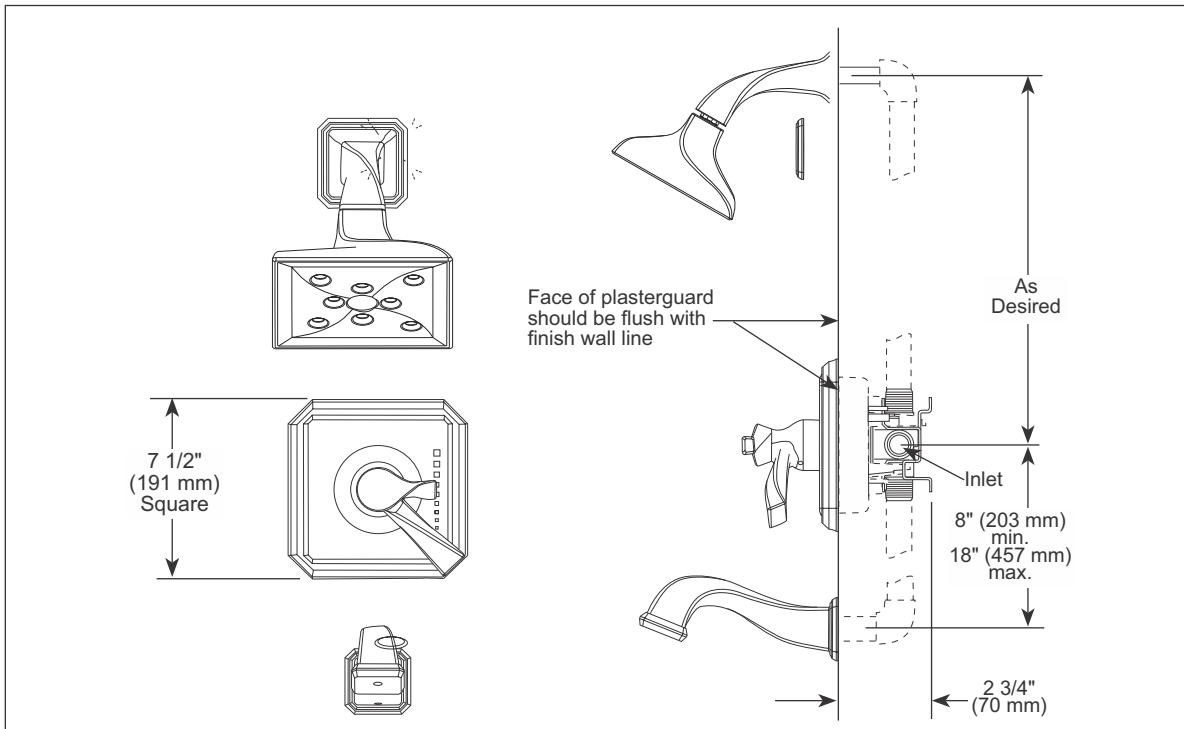
## Virage TempAssure Thermostatic Valve Trim

## T60030-BZ

### Technical Specification Sheet



### Technical Specification Sheet



## Virage TempAssure Thermostatic Valve Trim

## T60030-PN

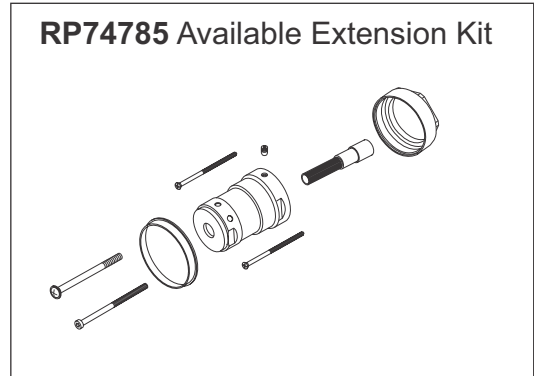
### RP74785 Available Extension Kit

RP62603  
Shower Arm, Set Screw & Wrench

RP62604  
Wrench

RP40650  
Set Screw

RP49349  
Adapter



Order Model 87330  
Showerhead

RP47201  
Cartridge Assembly

RP49089  
Trim Ring

RP62598  
Escutcheon

RP50879  
Trim Sleeve

RP23336  
O-Ring

RP49090  
Trim Screws

RP49350  
Set Screw

RP62606  
Handle Assembly & Set Screw

RP49350  
Set Screw

RP62607  
Temperature Knob & Set Screw

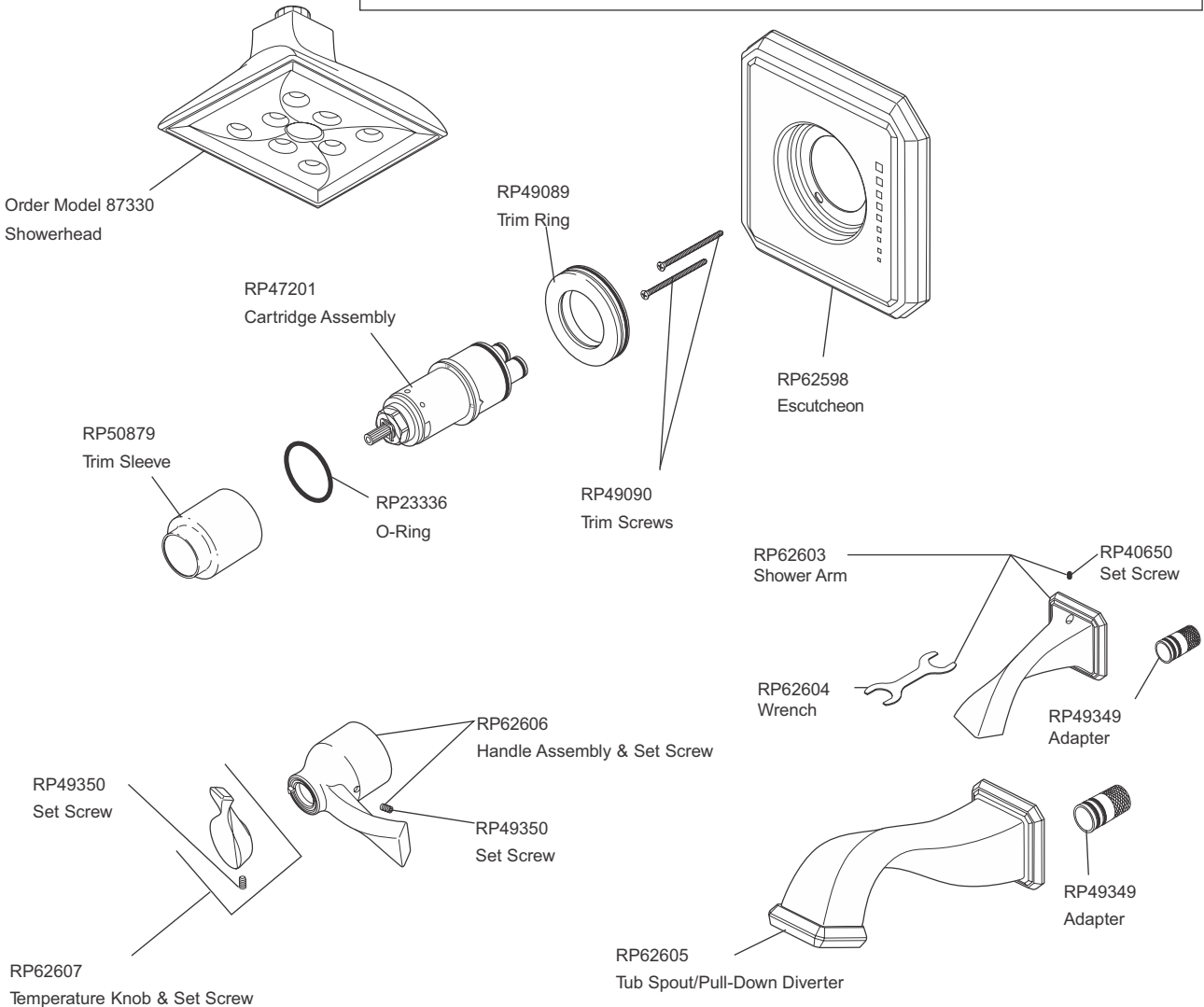
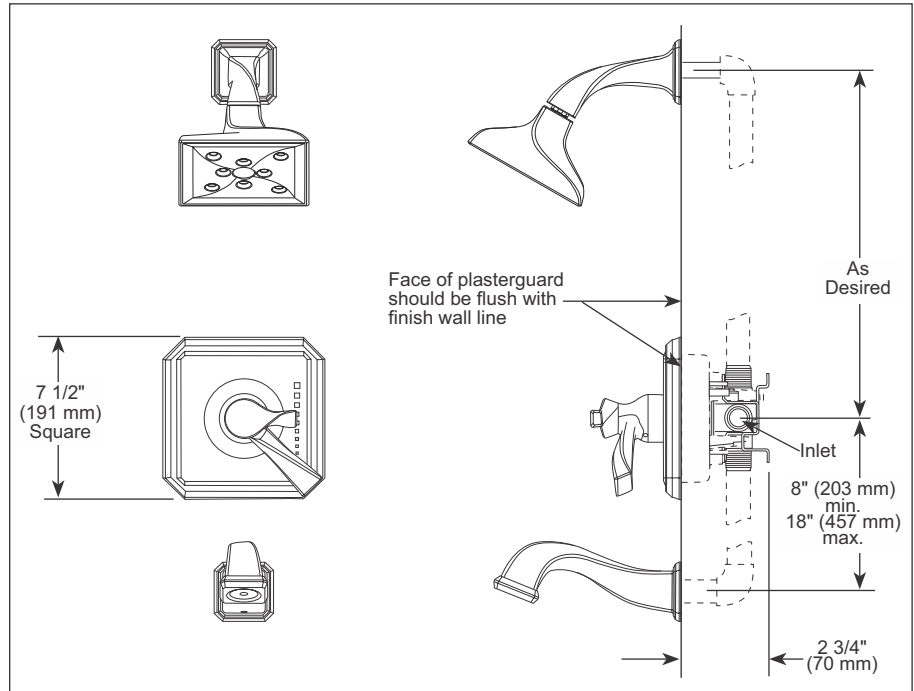
RP62605  
Tub Spout/Pull-Down Diverter

RP49349  
Adapter

## Virage Bundled Tub & Shower with TempAssure Thermostatic Trim

## T60430-PN

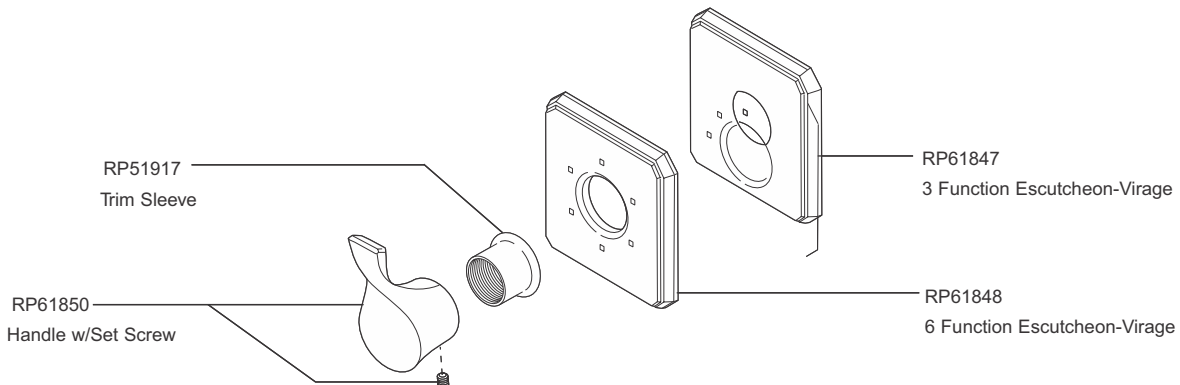
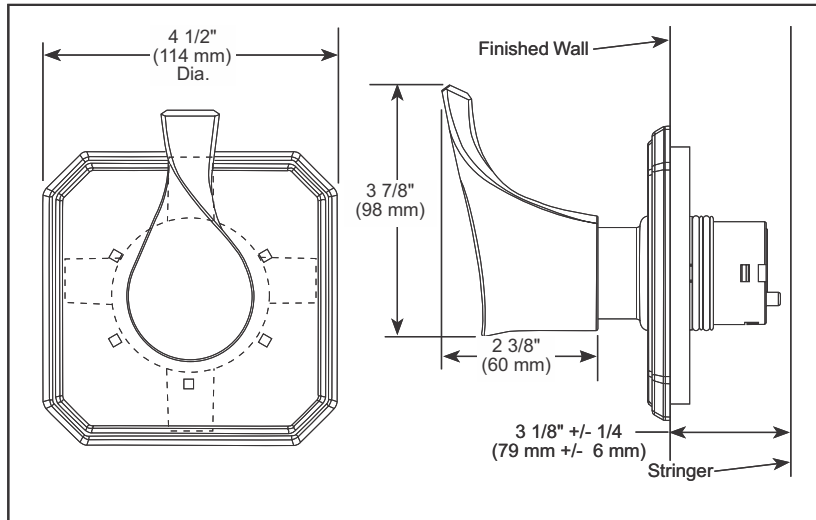
### Technical Specification Sheet



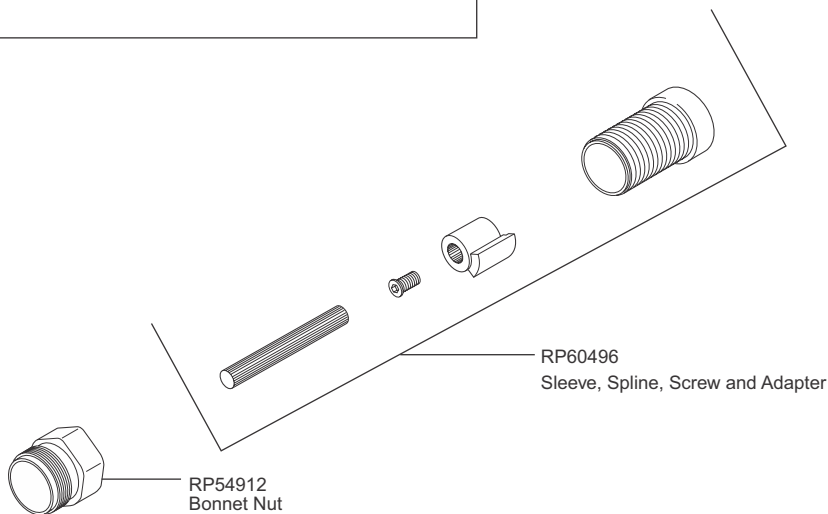
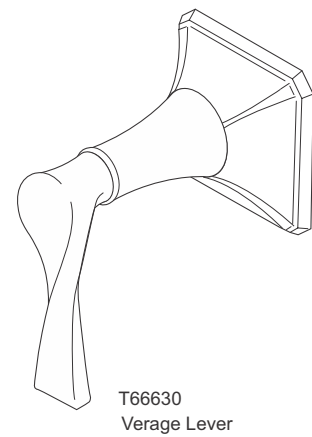
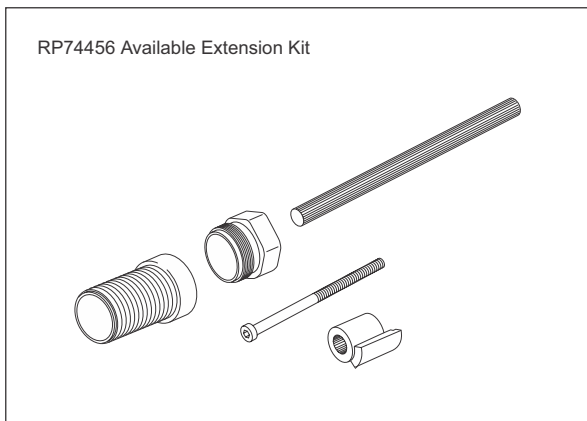
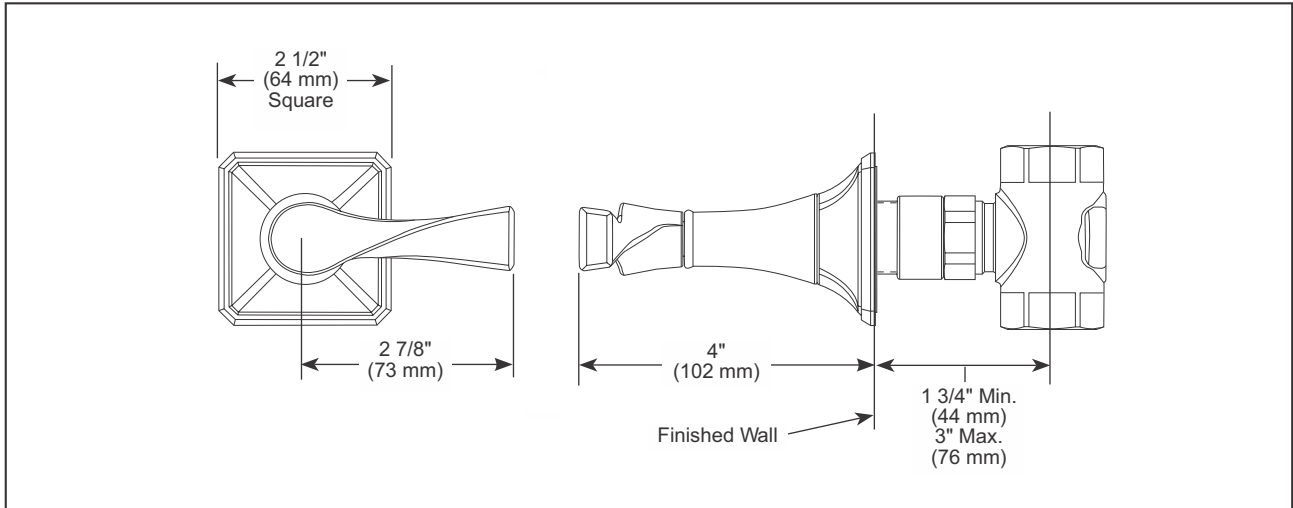
## Virage 6-Setting Diverter Trim

## T60930-PN

### Technical Specification Sheet

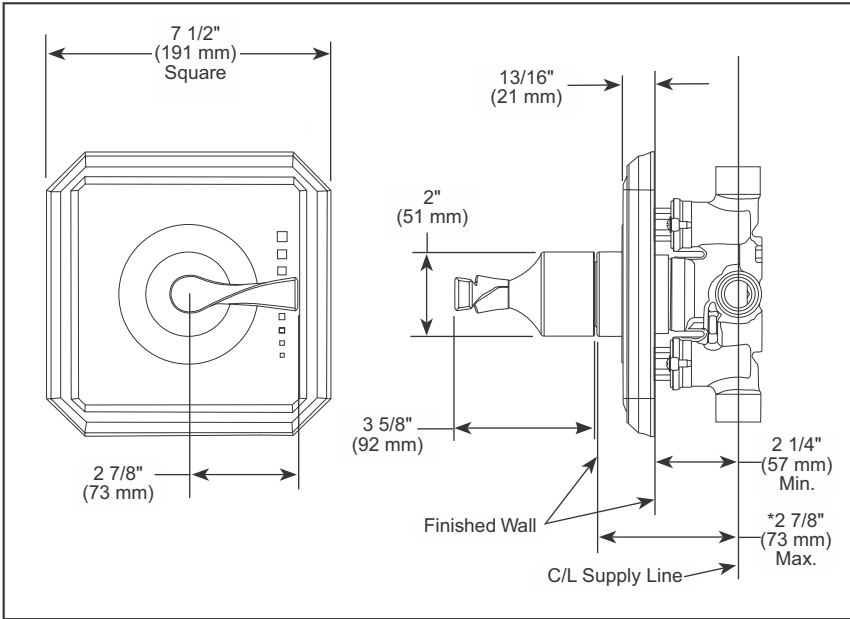


**Technical Specification Sheet**

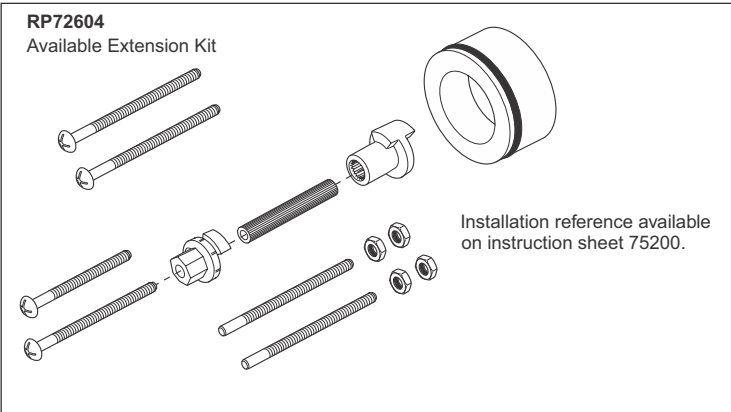
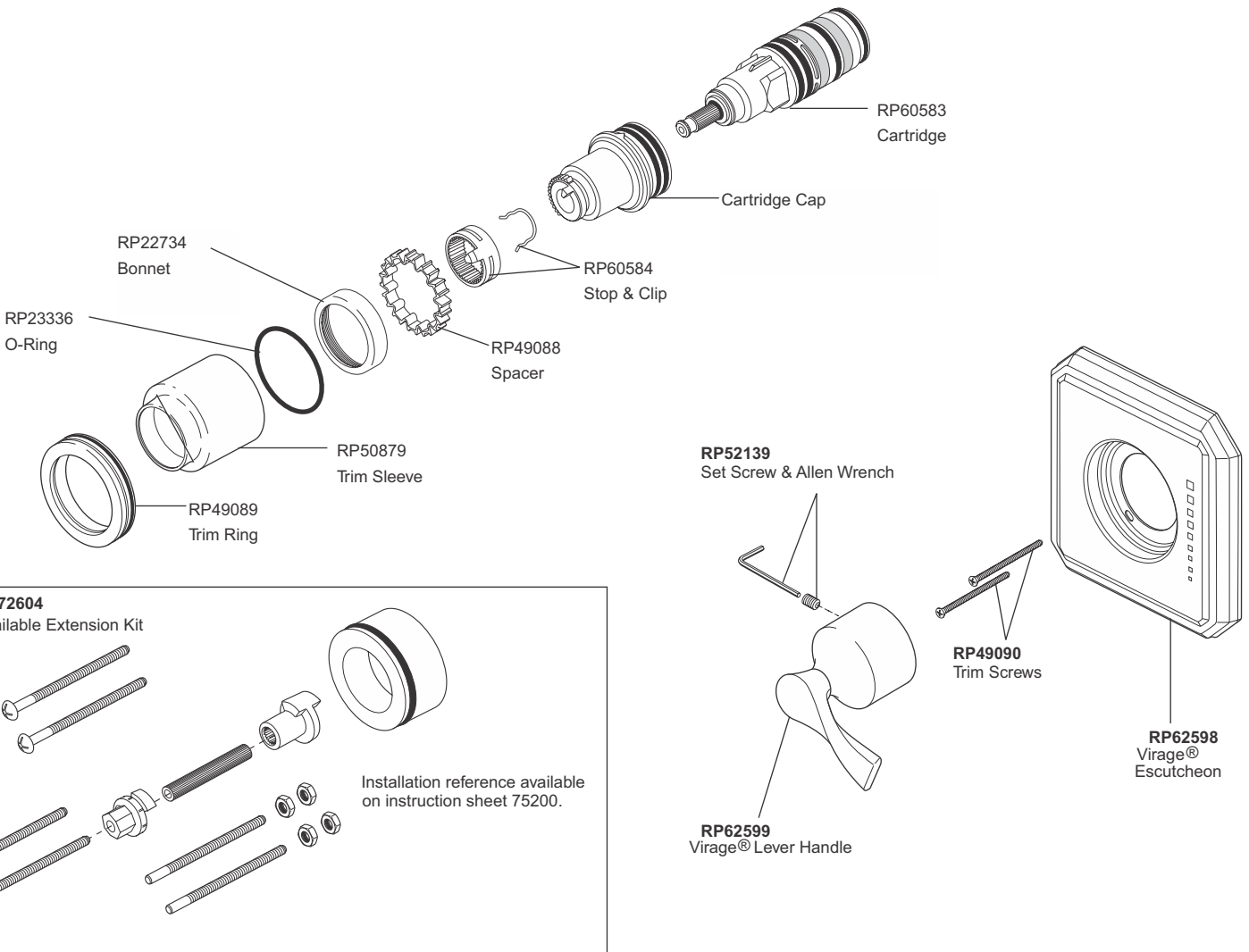
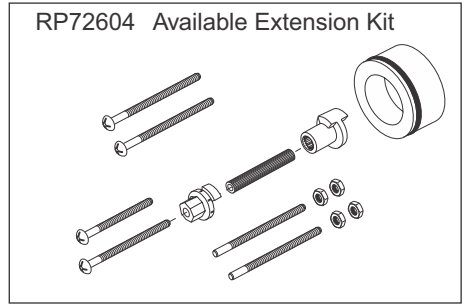


## Virage High Flow Thermostatic Valve Trim

## T66T030-PN



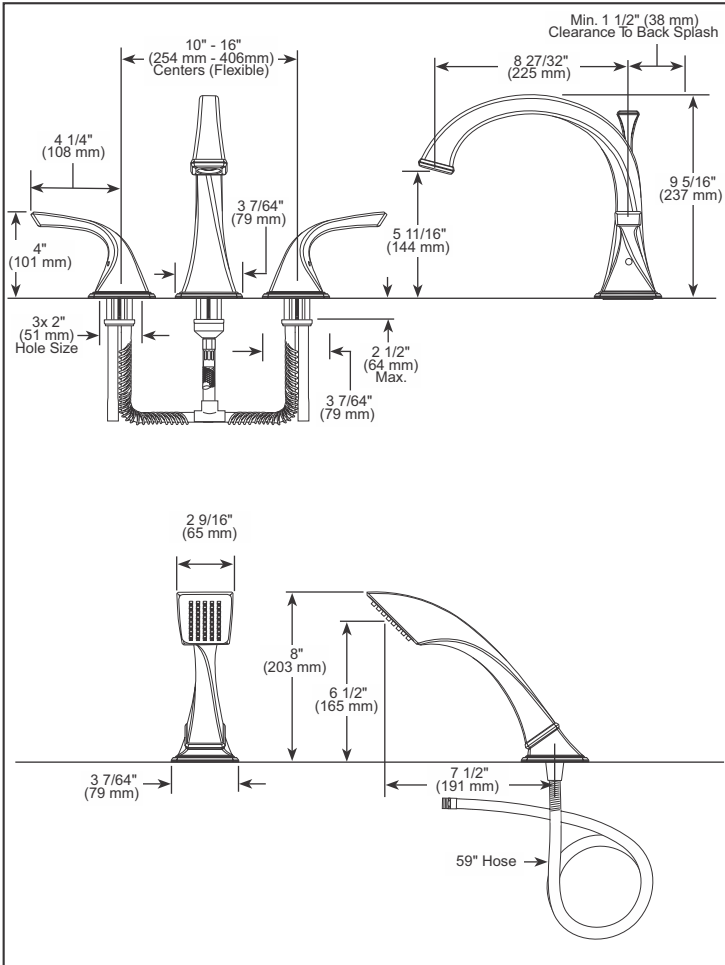
### Technical Specification Sheet



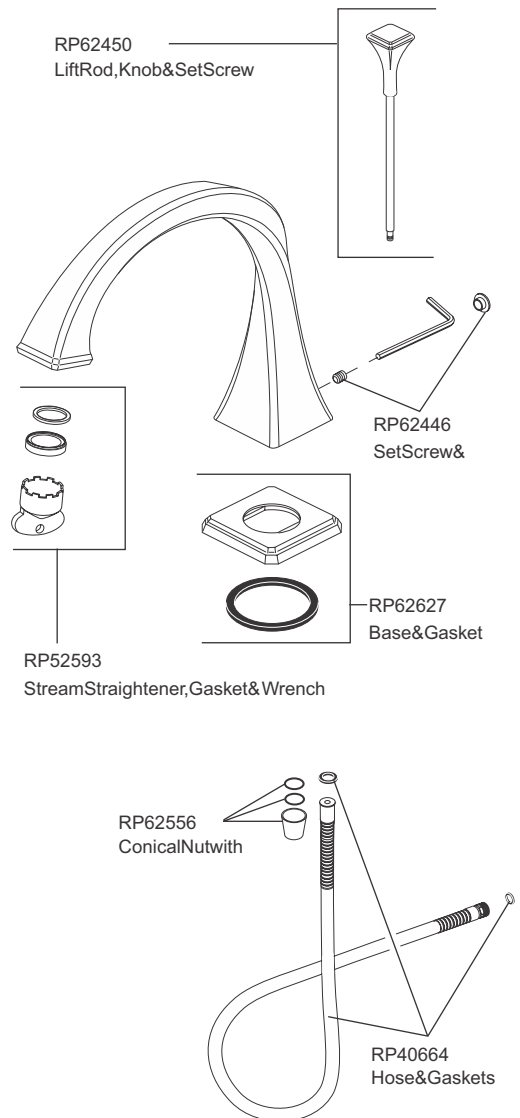


## Virage 4-Hole Tub Filler Trim

## T67430-PN



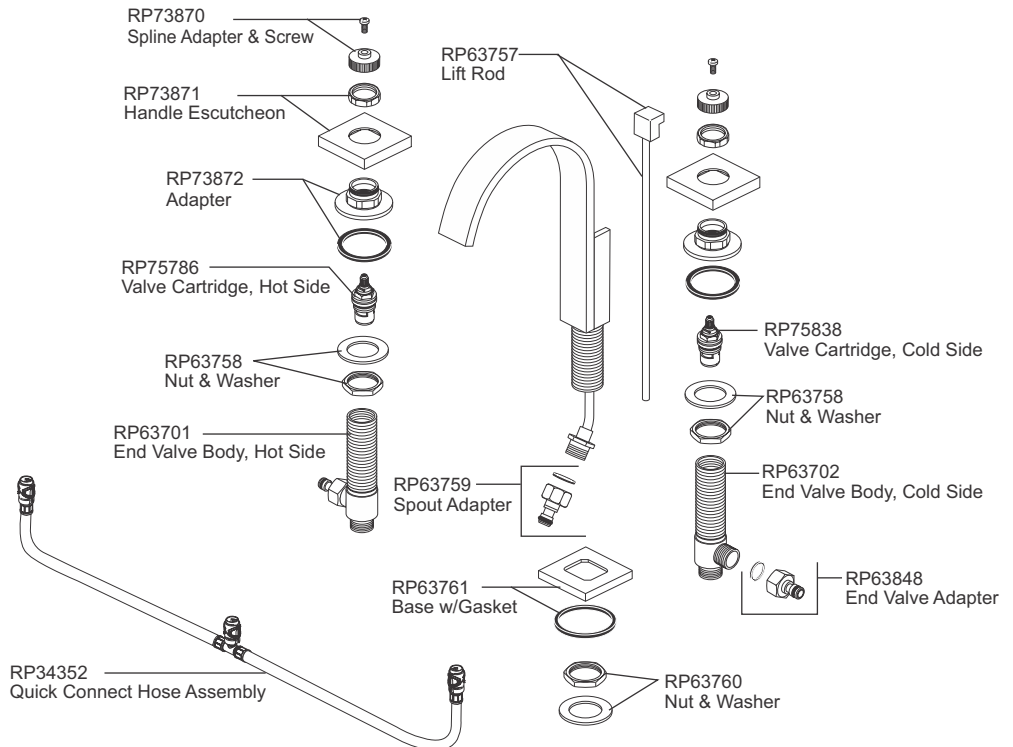
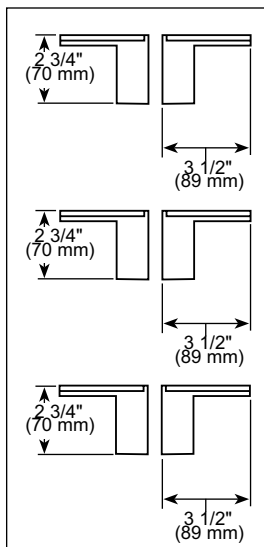
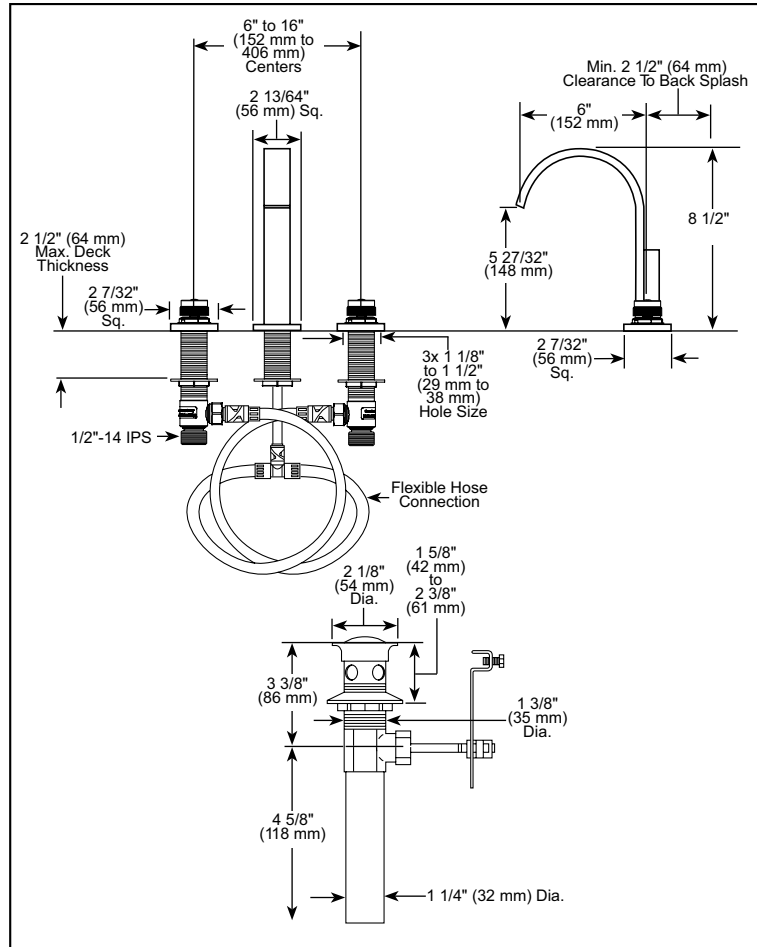
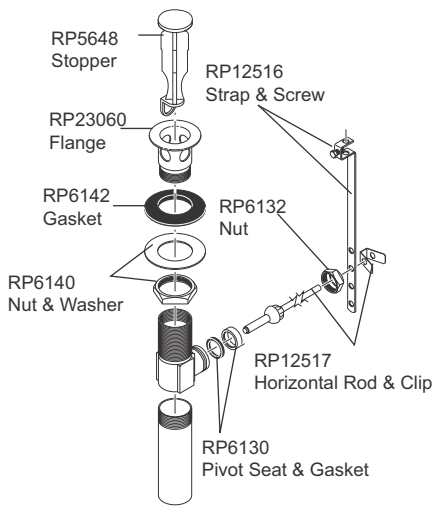
## Technical Specification Sheet



## Siderna 2-Handle Deck Mount Lav Faucet without Handle Trim

## 65380LF-PCLHP

### Technical Specification Sheet

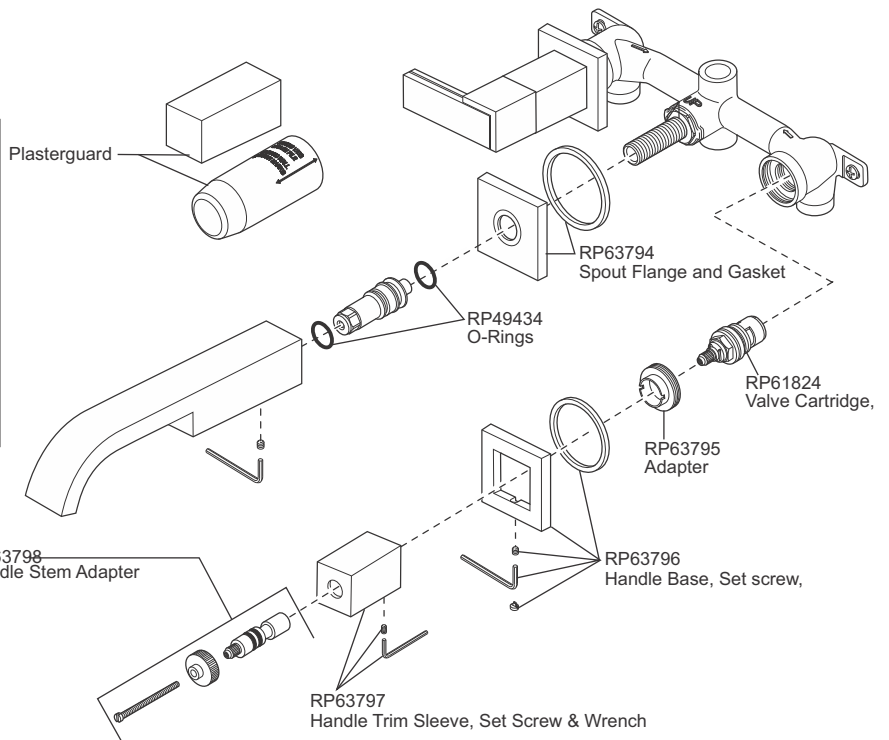
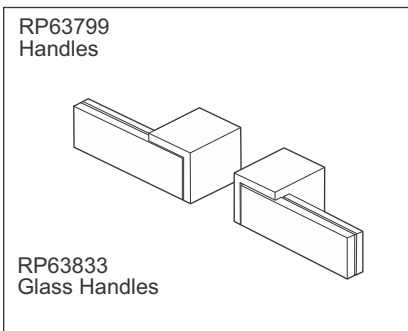
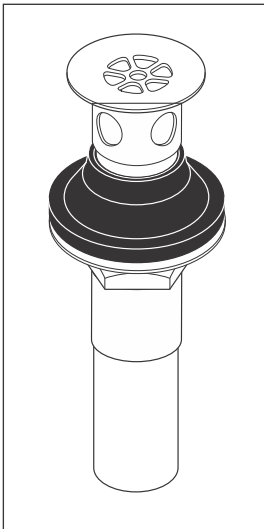
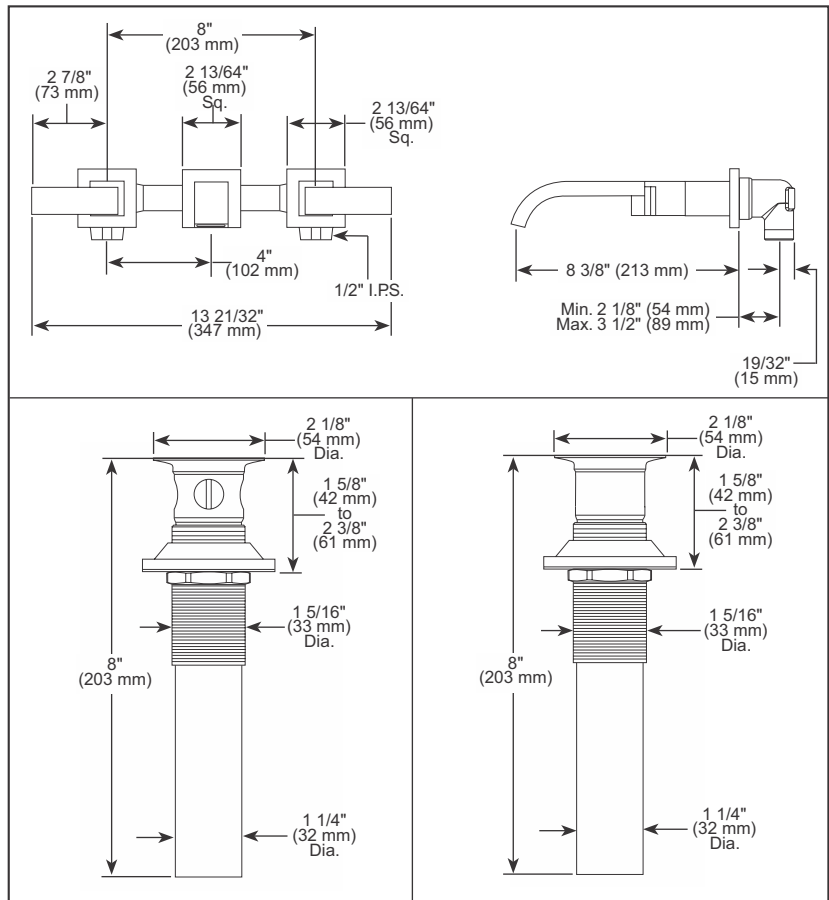




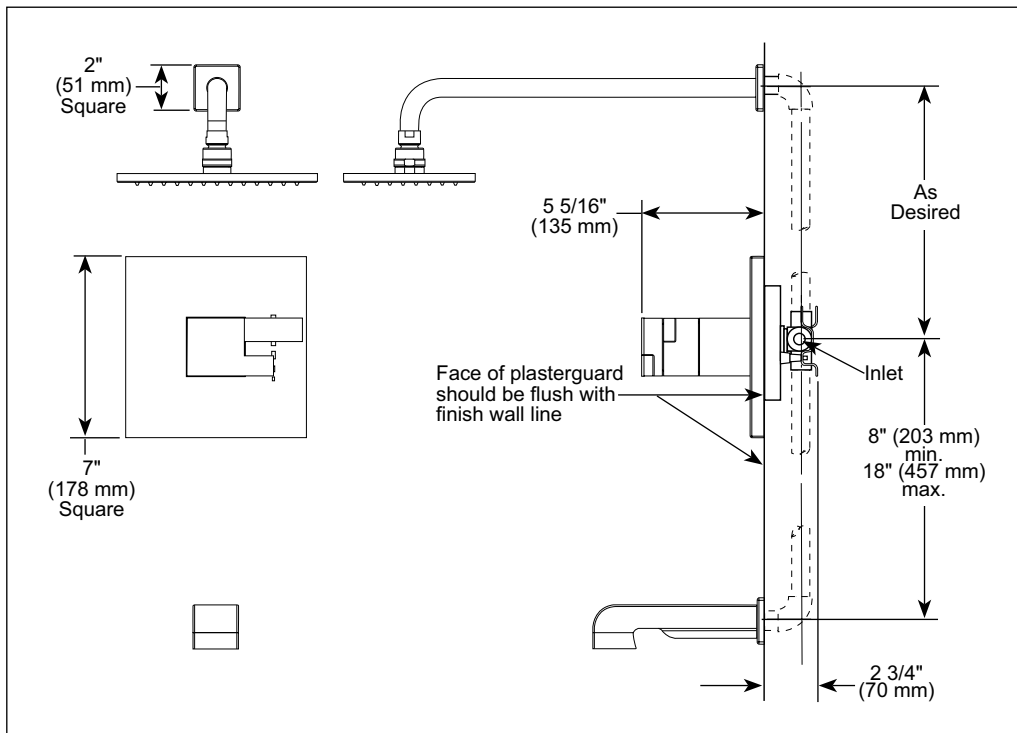
## Siderna 2-Handle Wall Mount Lav Faucet without Handle Trim

## 65880LF-PCLHP

### Technical Specification Sheet

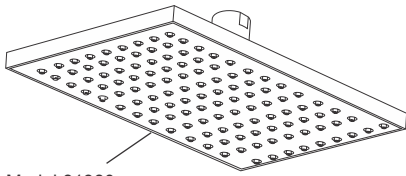


**Technical Specification Sheet**

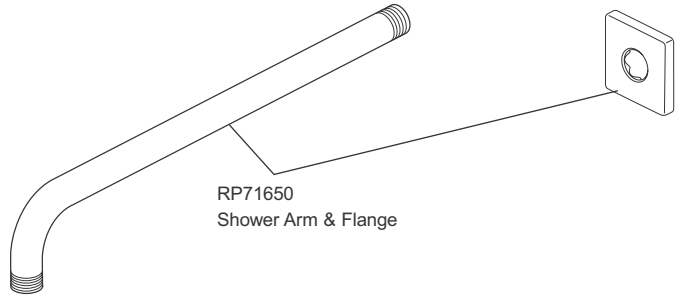


## Siderna TempAssure Thermostatic Valve Trim

## T60080-PC

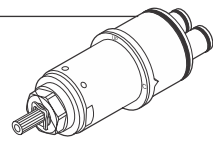


Model 81380  
Showerhead

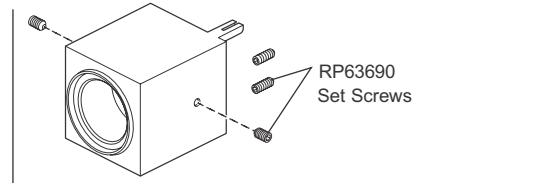
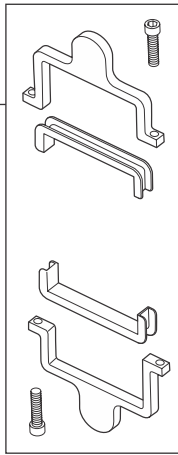


RP71650  
Shower Arm & Flange

RP47201  
Cartridge Assembly

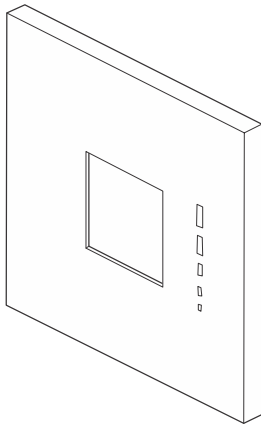


RP63688  
Mounting Plates, Sleeves & Screws



RP63689  
Trim Sleeve

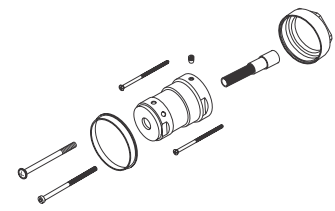
RP63690  
Set Screws



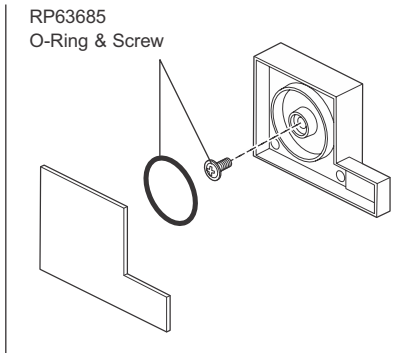
RP63687  
Escutcheon - 7 7/8" square

RP74640  
Escutcheon - 7" square (effective Jan. 2013)

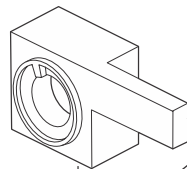
RP74785  
Available Extension Kit



RP63685  
O-Ring & Screw



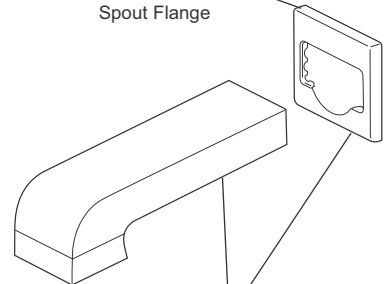
RP63684  
Temperature Knob Assembly



RP63686  
Handle Assembly

RP26865  
Set Screw

RP49761  
Spout Flange

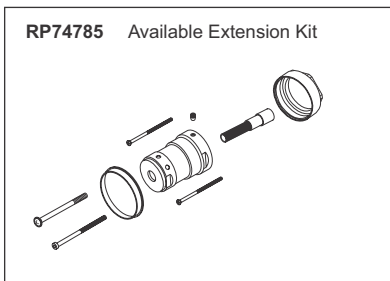
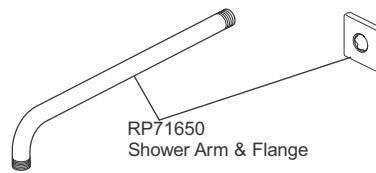
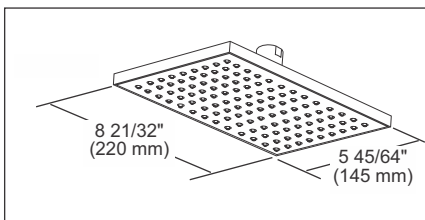
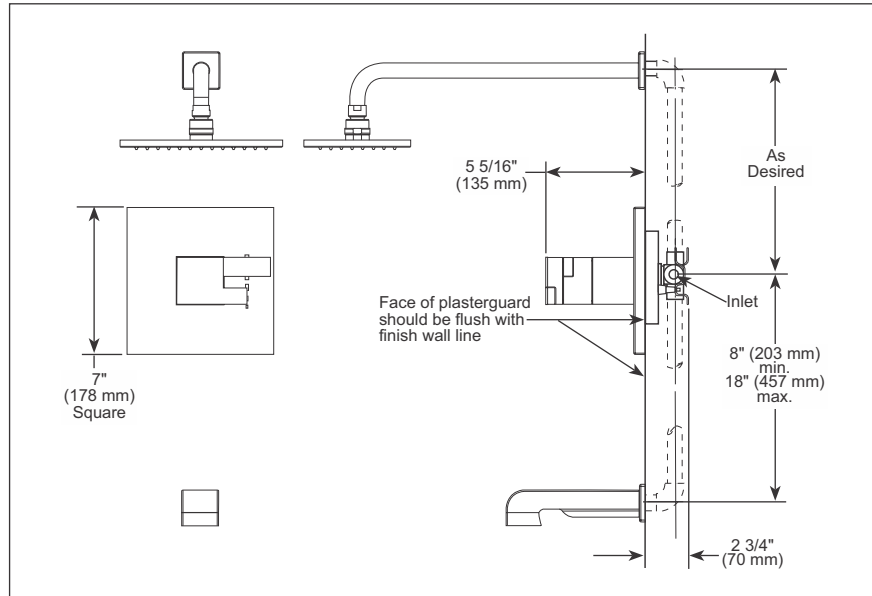


RP64084  
Tub Spout/Pull-Down Diverter & Flange

## Siderna Bundled Tub & Shower with TempAssure Thermostatic Medium-Flow Trim

## T60480-BN

### Technical Specification Sheet

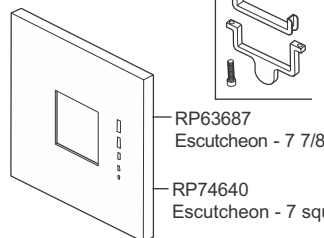


RP63688  
Mounting Plates, Sleeves & Screws

RP47201  
Cartridge Assembly



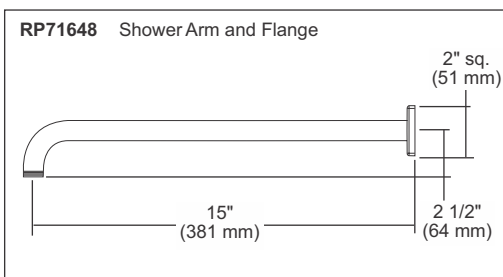
RP63689  
Trim Sleeve



RP63685  
O-Ring & Screw

RP63686  
Handle Assembly

RP49761  
Spout Flange

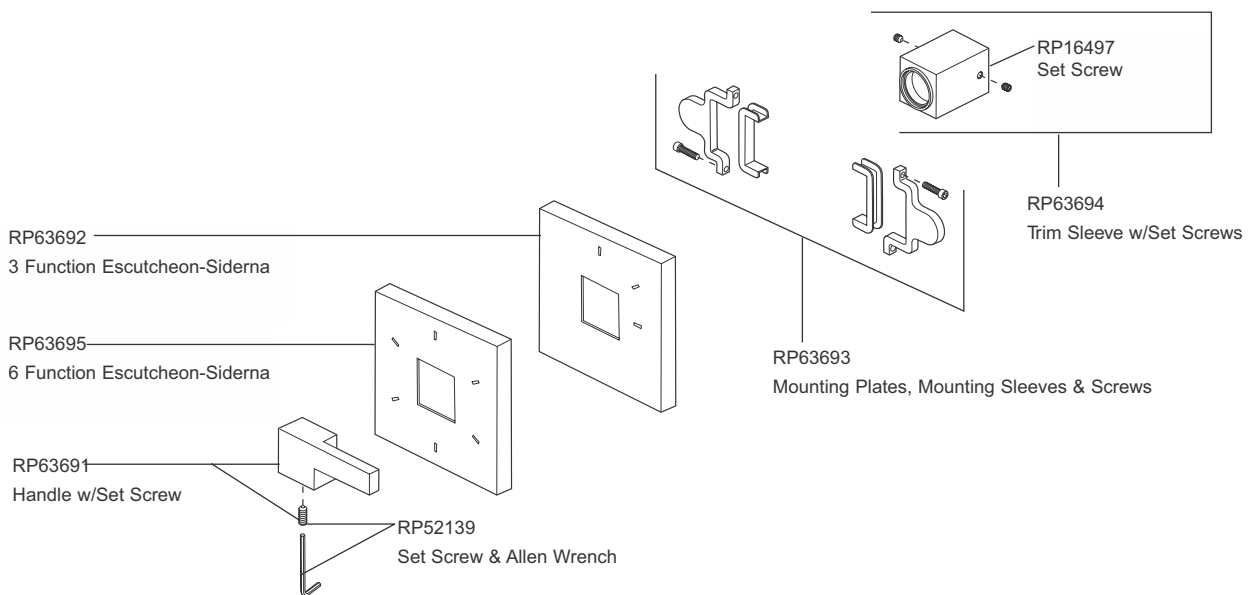
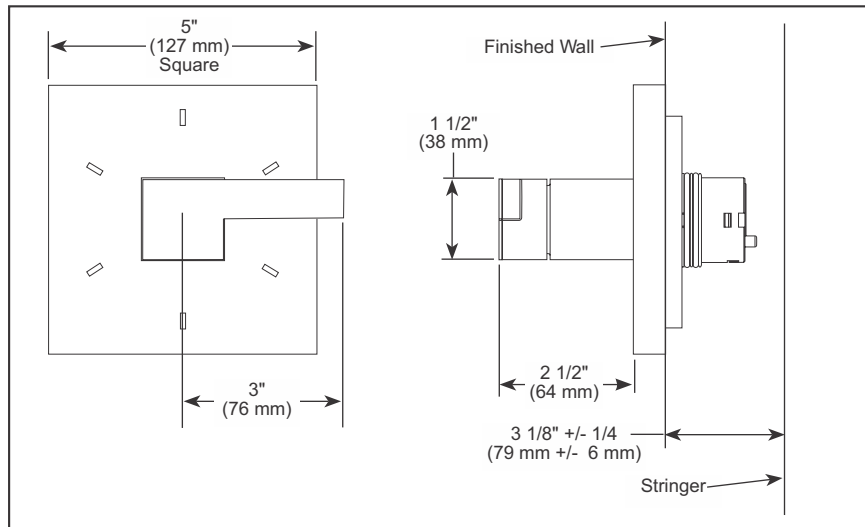


RP63684  
Temperature Knob Assembly

RP26865  
Set Screw

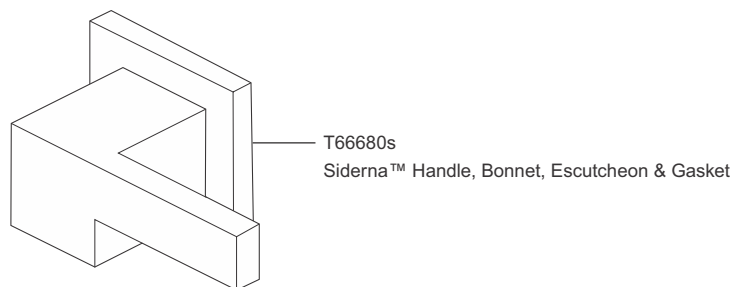
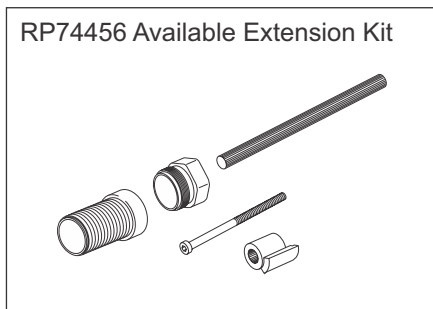
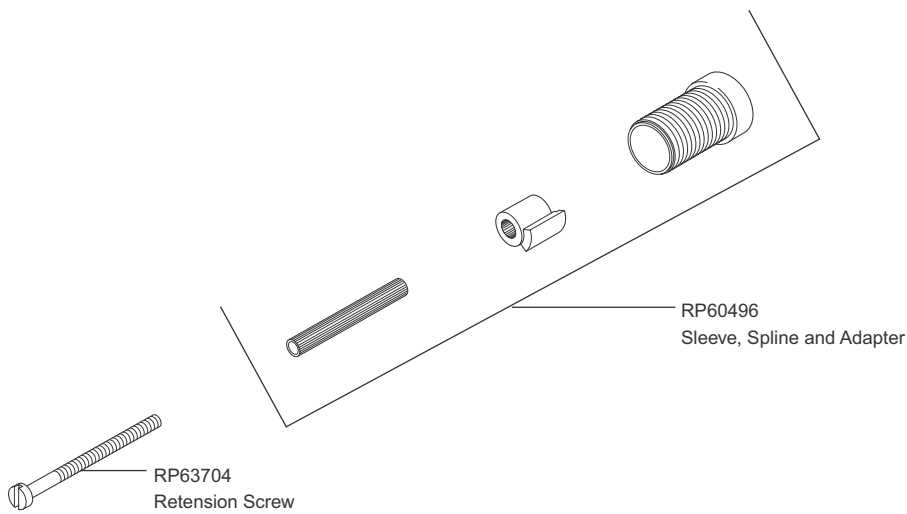
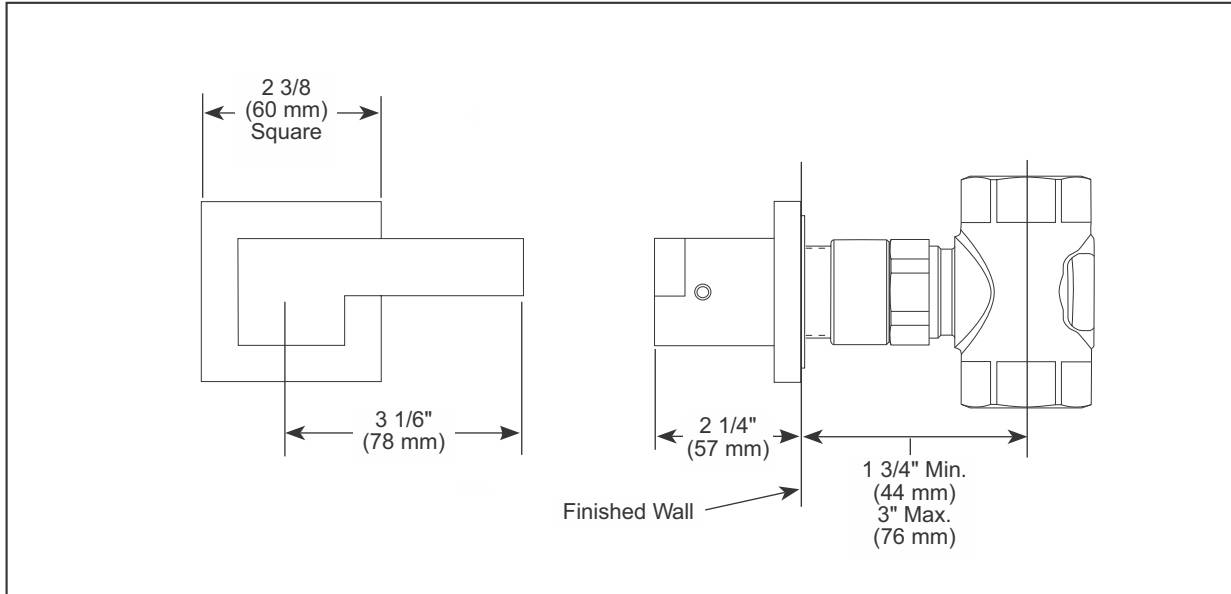
RP64084  
Tub Spout/Pull-Down Diverter & Flange

### Technical Specification Sheet

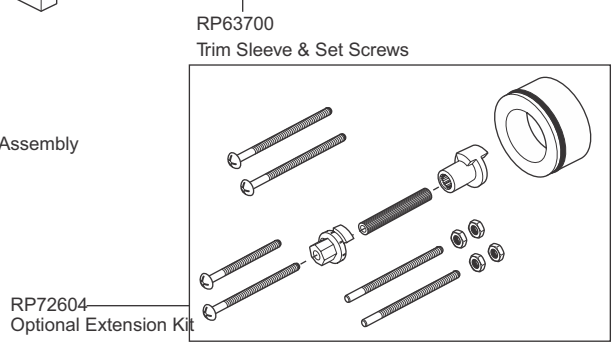
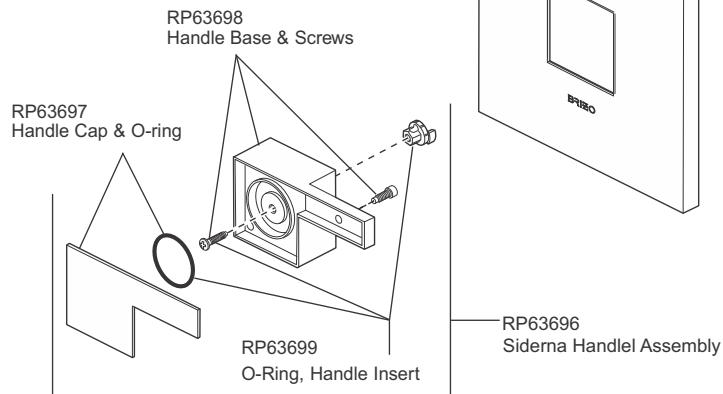
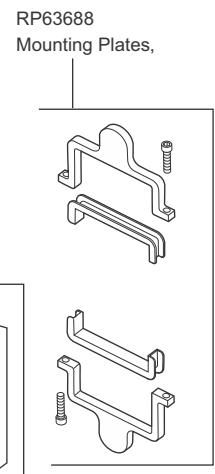
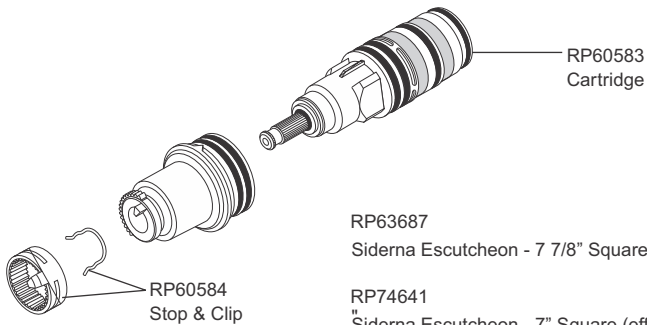
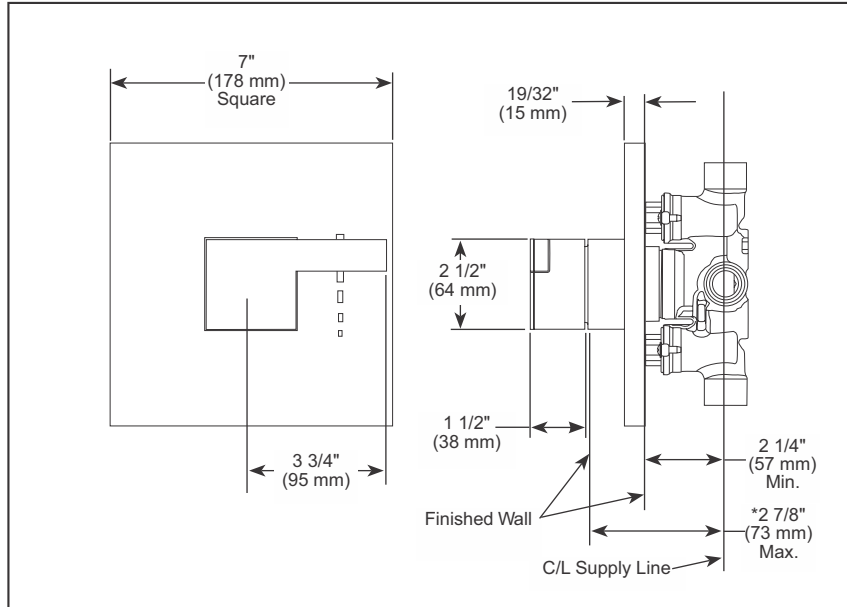




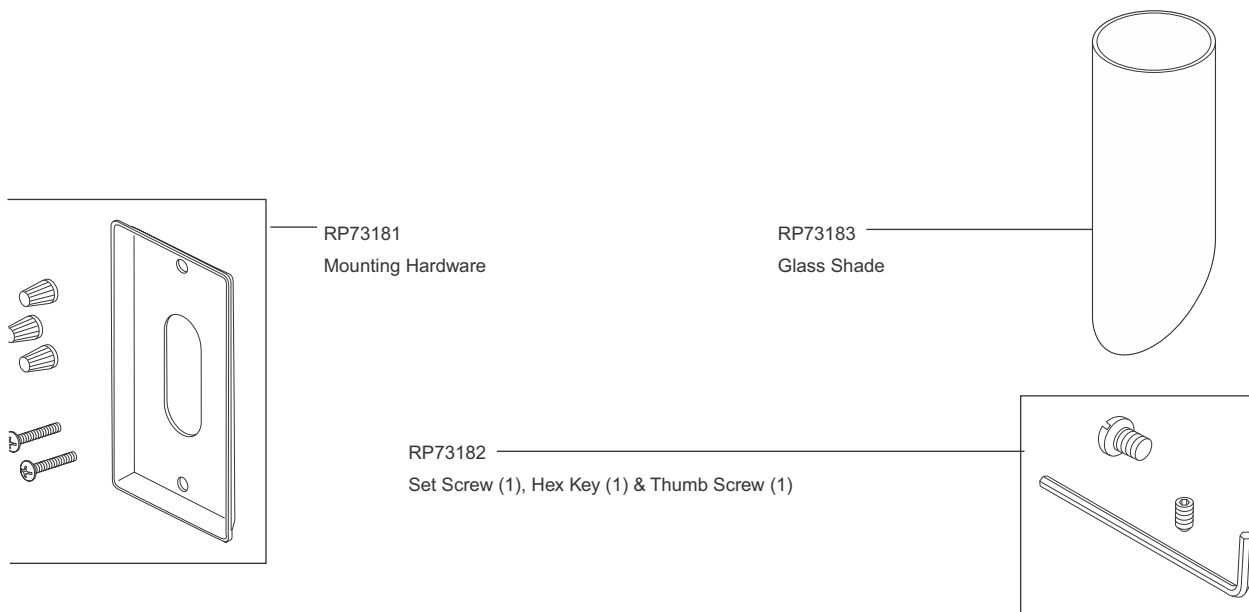
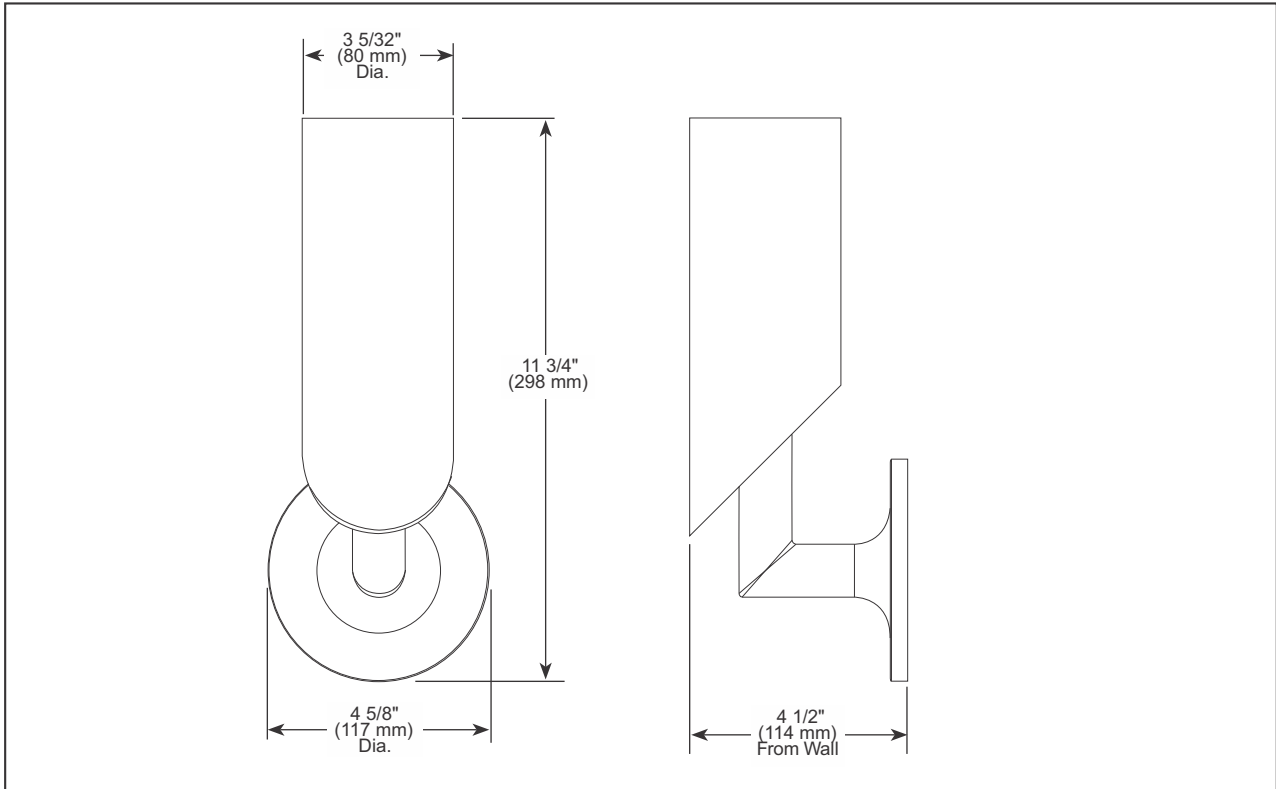
### Technical Specification Sheet



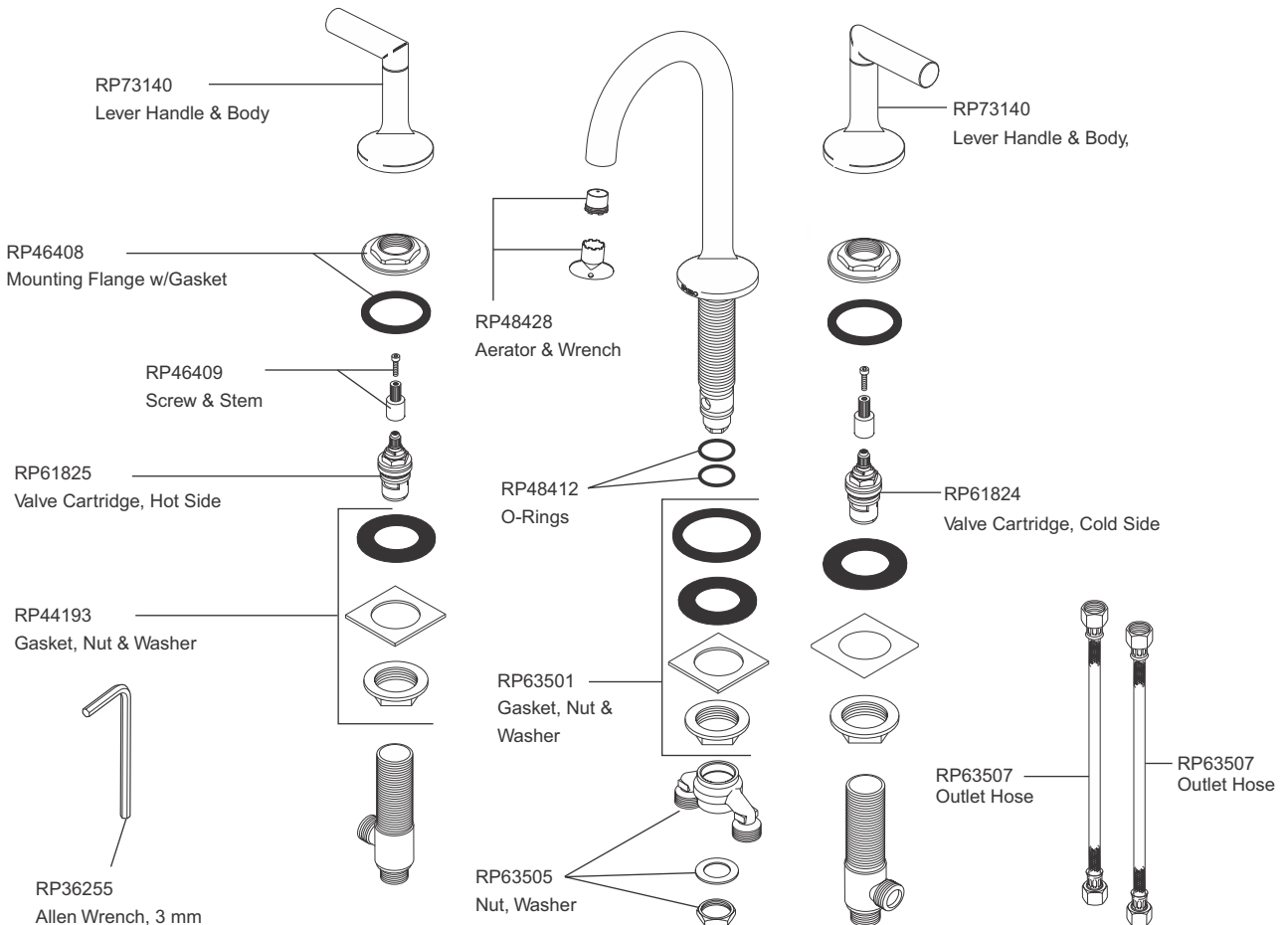
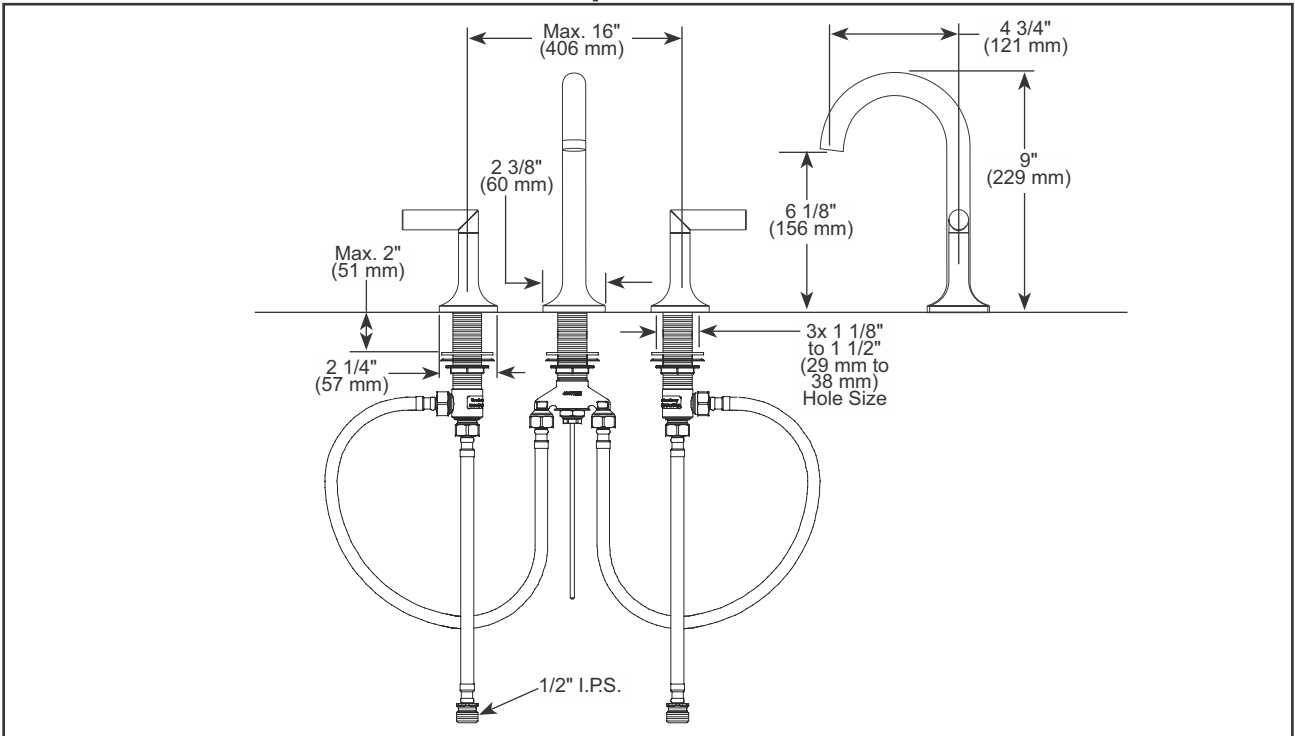
### Technical Specification Sheet



**Technical Specification Sheet**



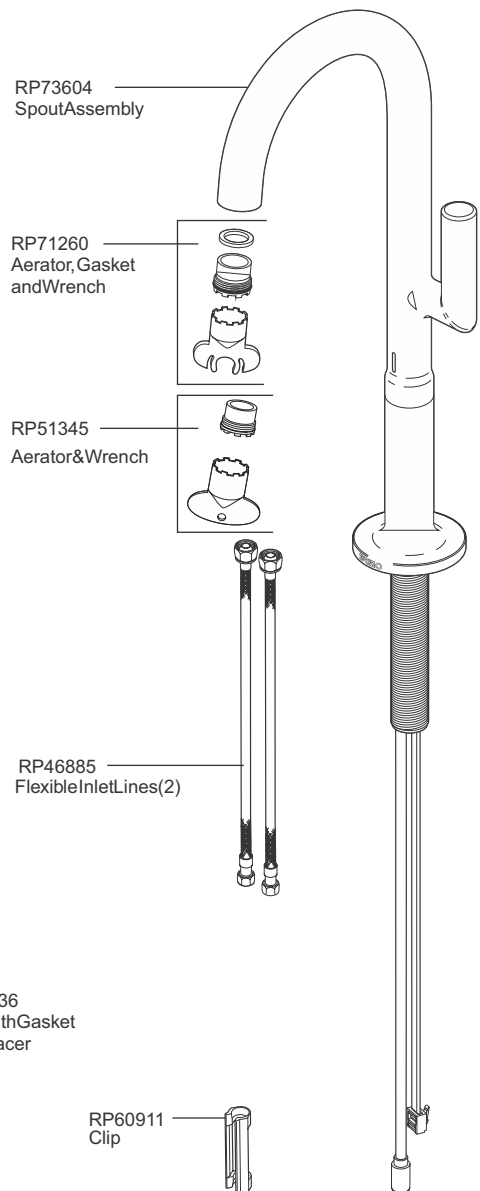
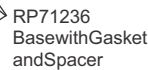
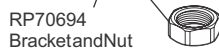
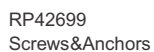
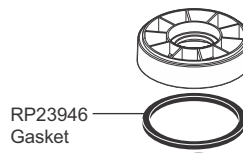
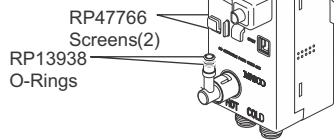
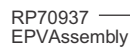
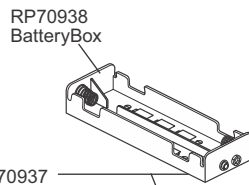
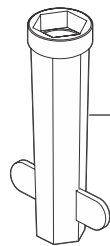
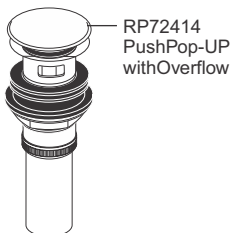
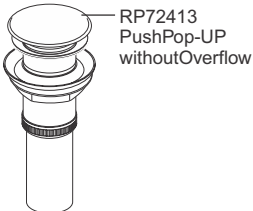
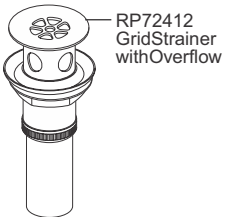
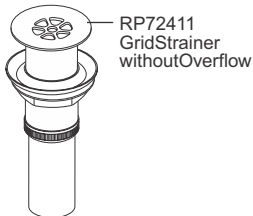
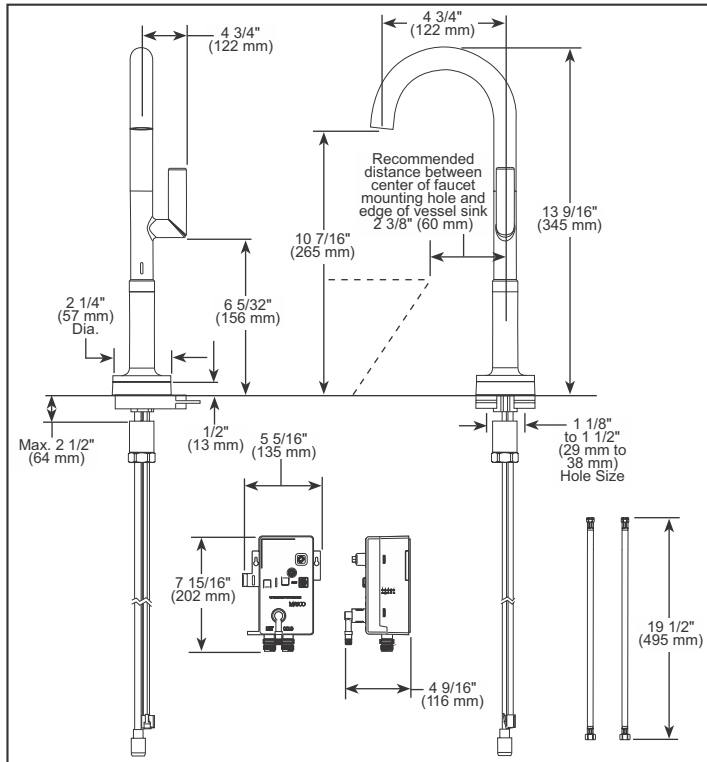
### Technical Specification Sheet



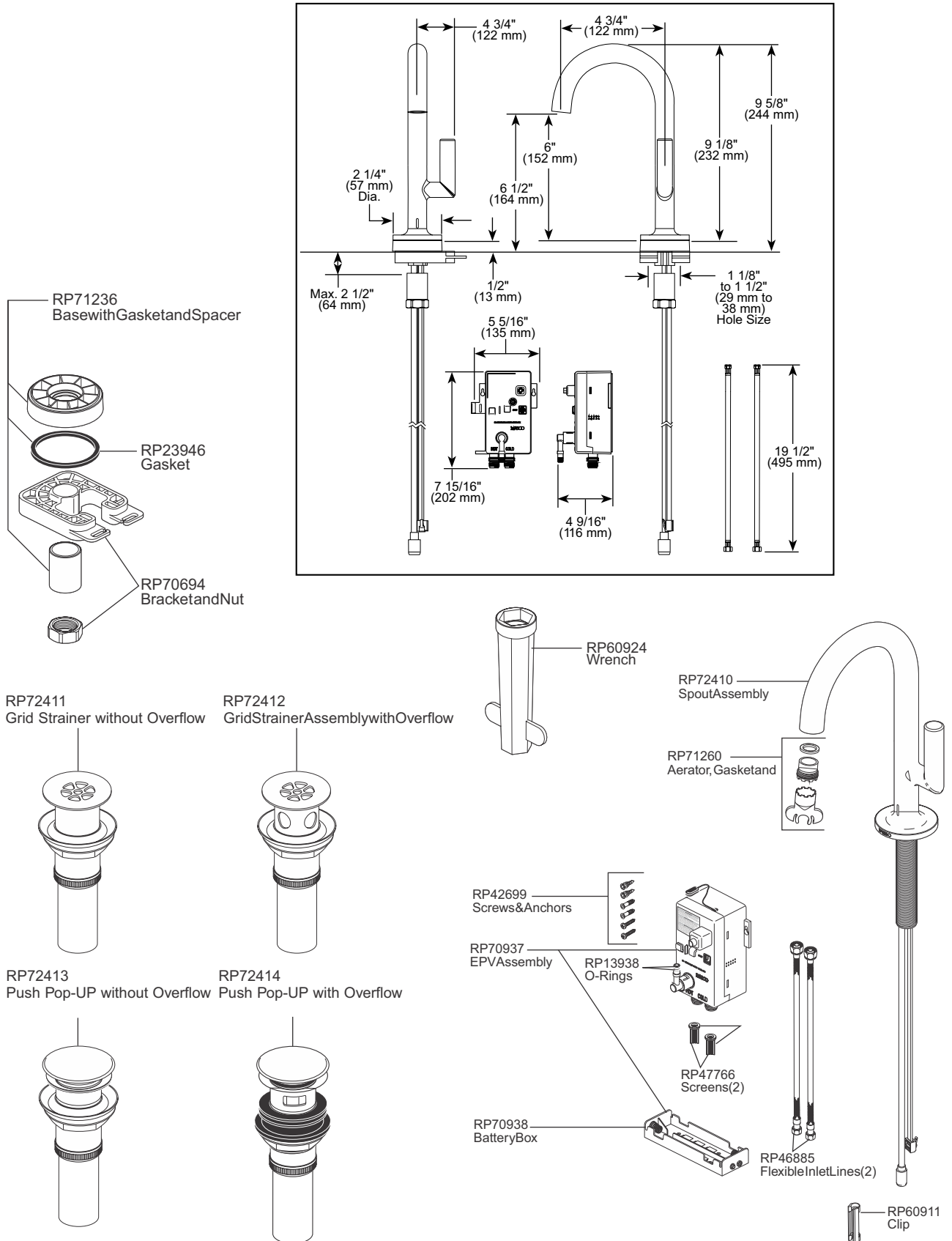
## Odin Single Handle Tall Lav Faucet with SmartTouchPlus

## 65475LF

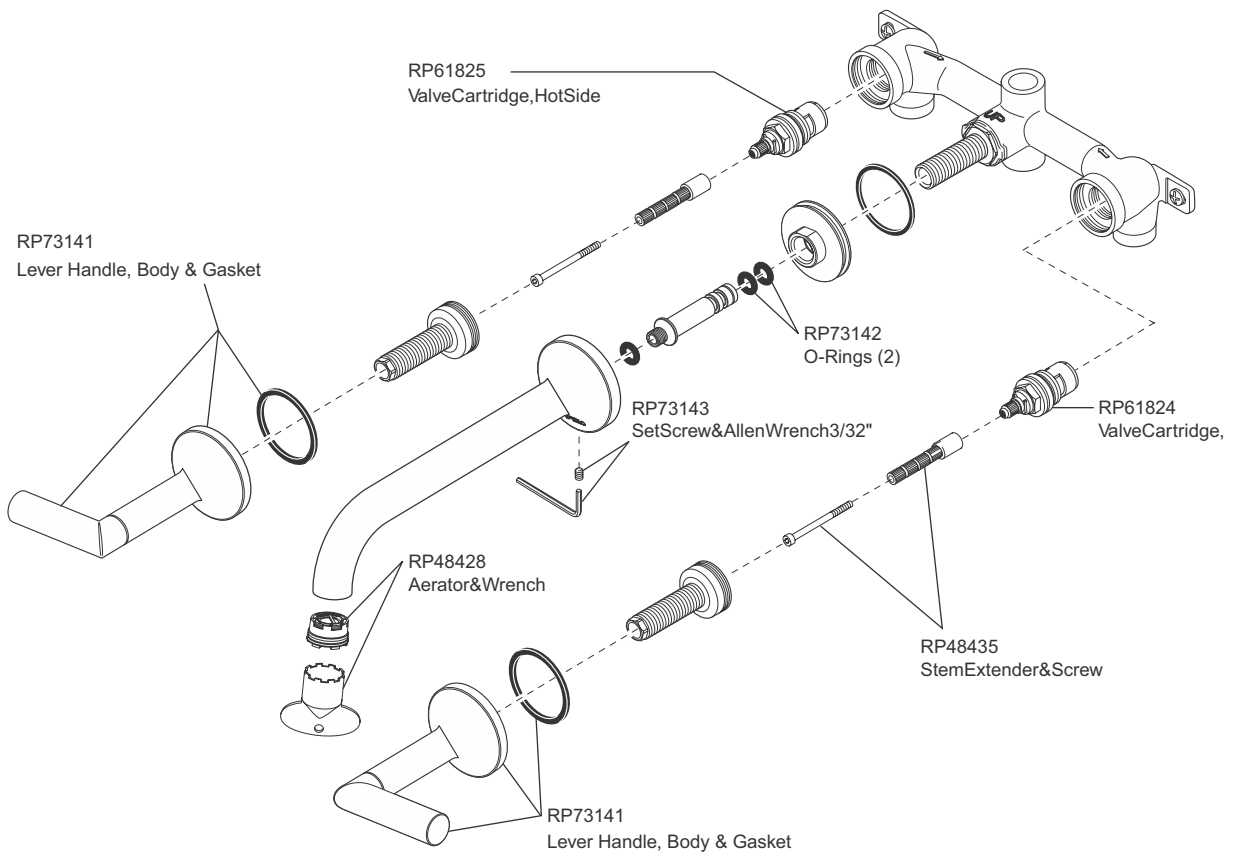
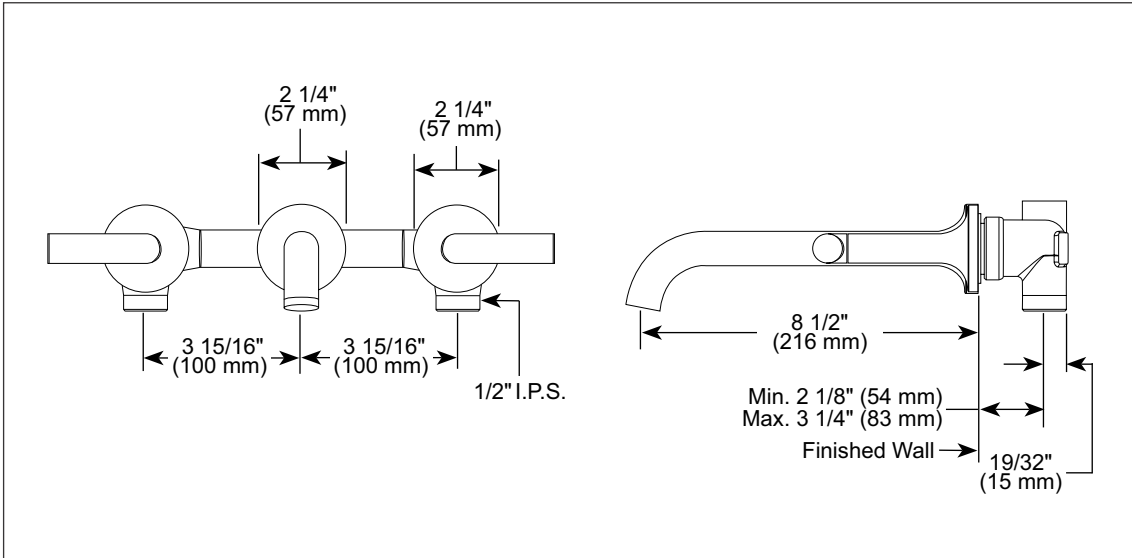
### Technical Specification Sheet



**Technical Specification Sheet**



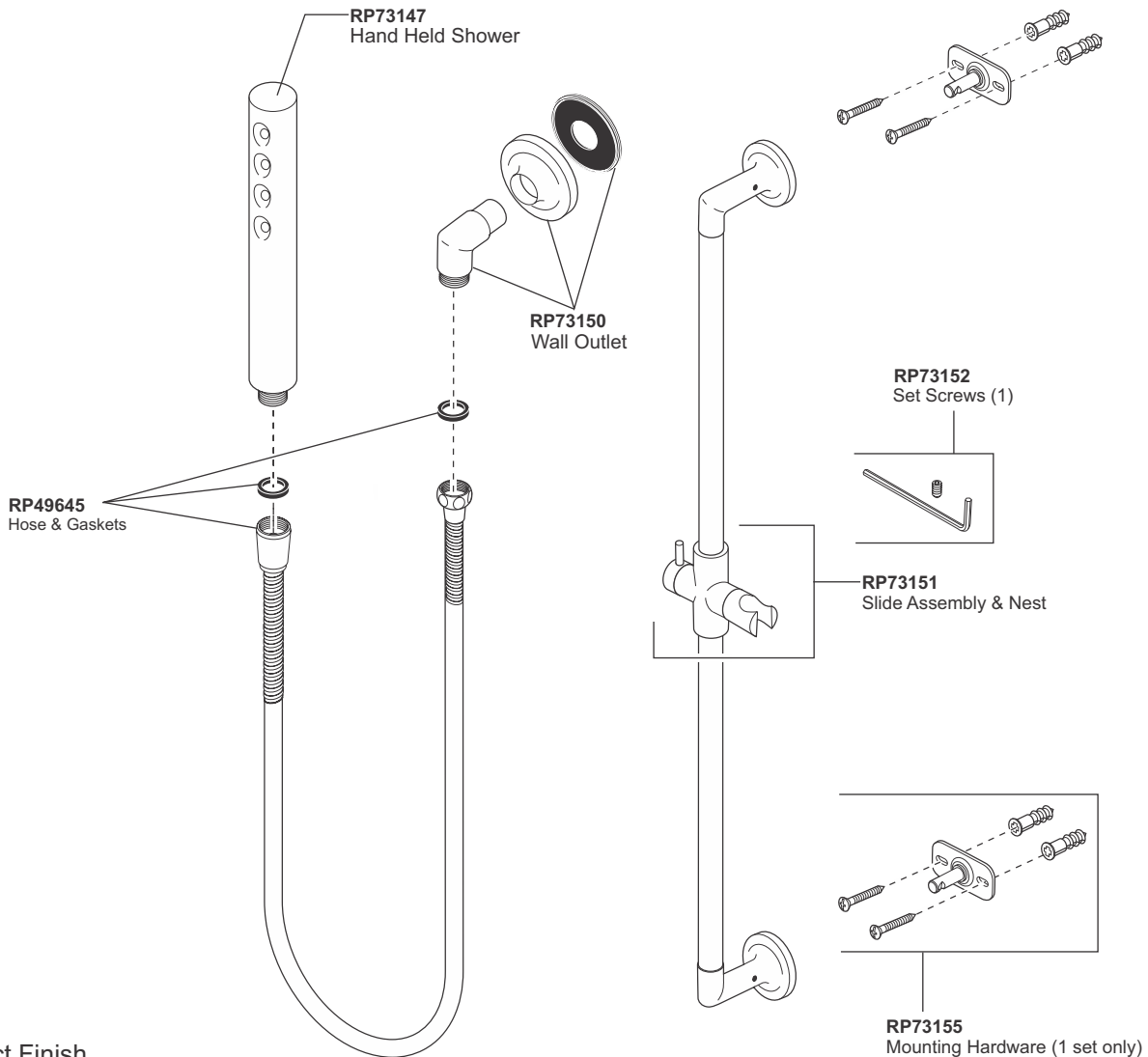
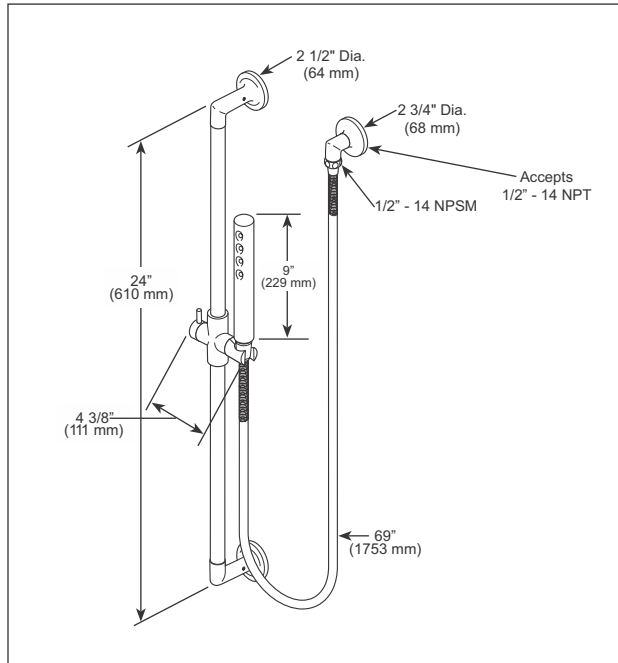
**Technical Specification Sheet**



## Odin Single Function Slide Bar Handshower with H2Okinetic

88775

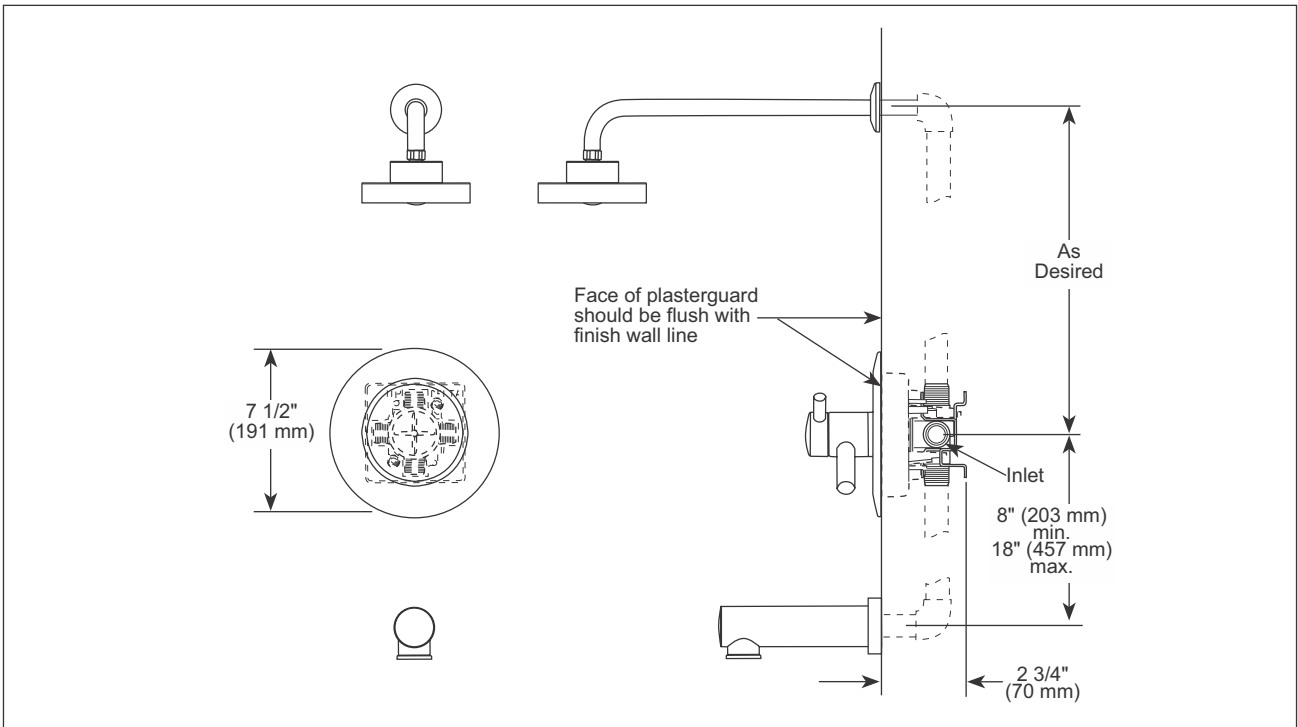
### Technical Specification Sheet



\* Select Finish.

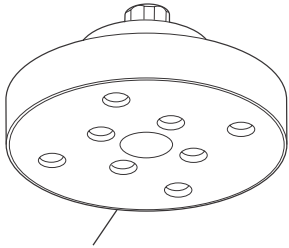


**Technical Specification Sheet**

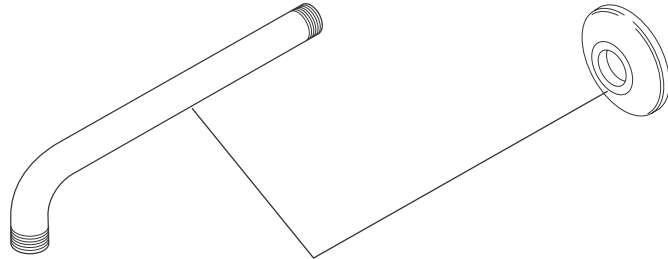


## Odin Thermostatic MultiChoice Medium-Flow Valve Trim

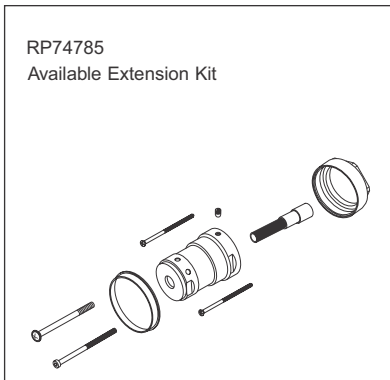
## T60075-PC



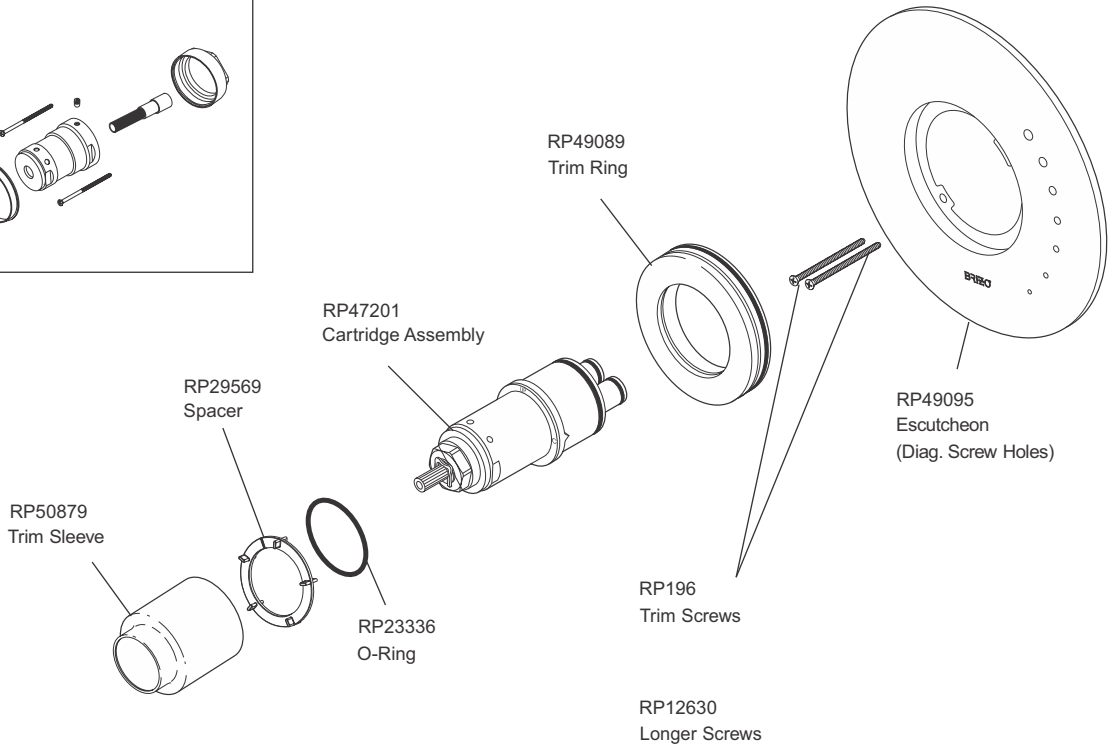
Model 87375  
Showerhead



RP 71648  
Shower Arm & Flange



RP74785  
Available Extension Kit



RP50879  
Trim Sleeve

RP29569  
Spacer

RP23336  
O-Ring

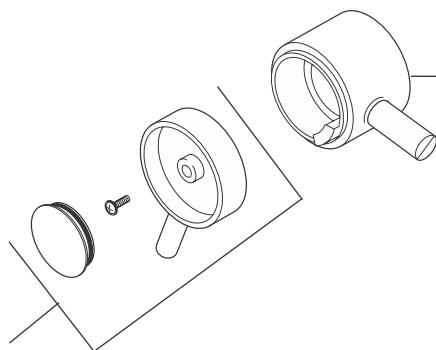
RP47201  
Cartridge Assembly

RP49089  
Trim Ring

RP49095  
Escutcheon  
(Diag. Screw Holes)

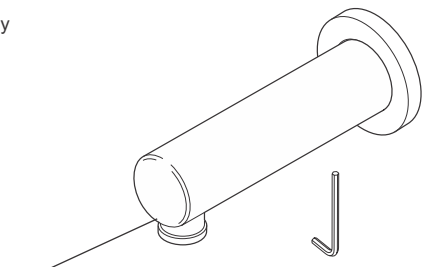
RP196  
Trim Screws

RP12630  
Longer Screws



RP49096  
Temperature Knob, Cover & Screw

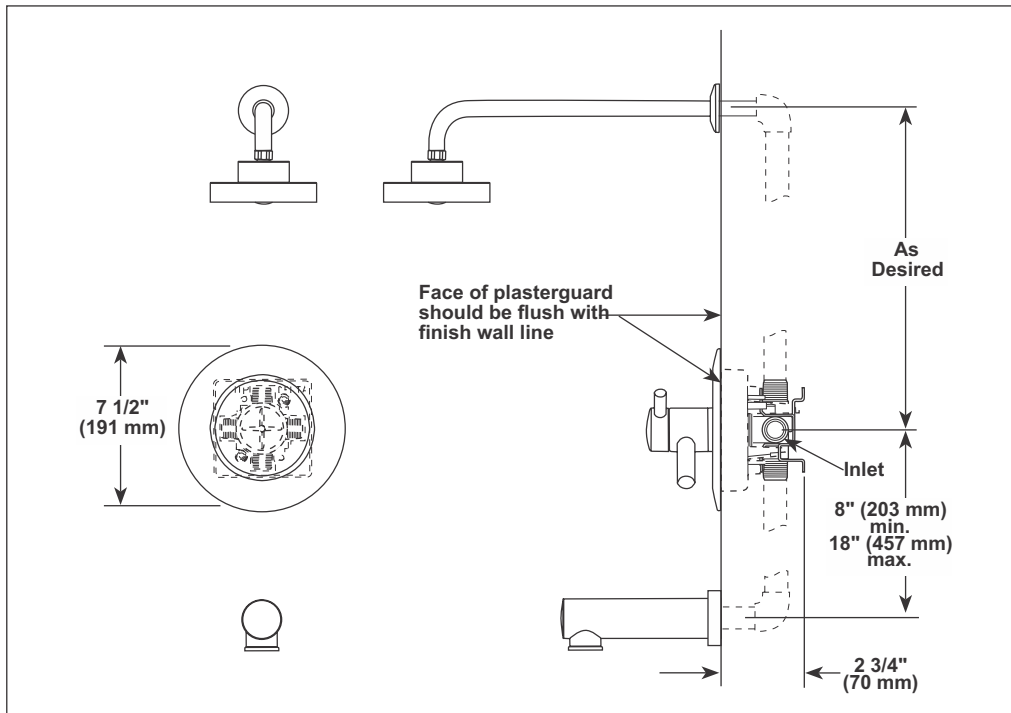
RP49097  
Handle Assembly



RP54874  
Tub Spout/Pull-Down Diverter & Allen Wrench

\* Select Finish.

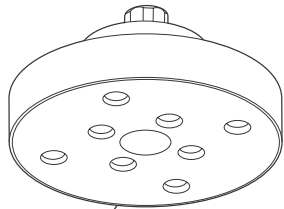
**Technical Specification Sheet**



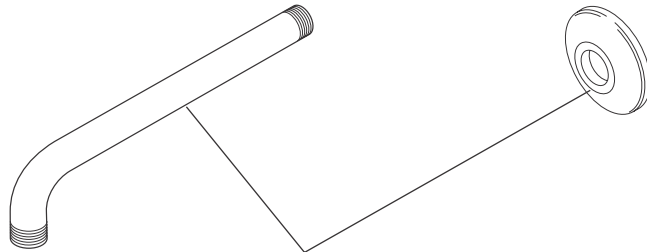
\* Select Finish.

## Odin Bundled Tub & Shower with TempAssure Thermostatic Medium-Flow Trim

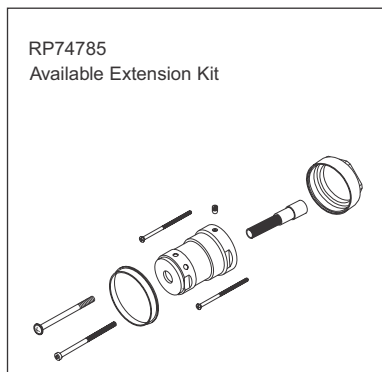
### T60475



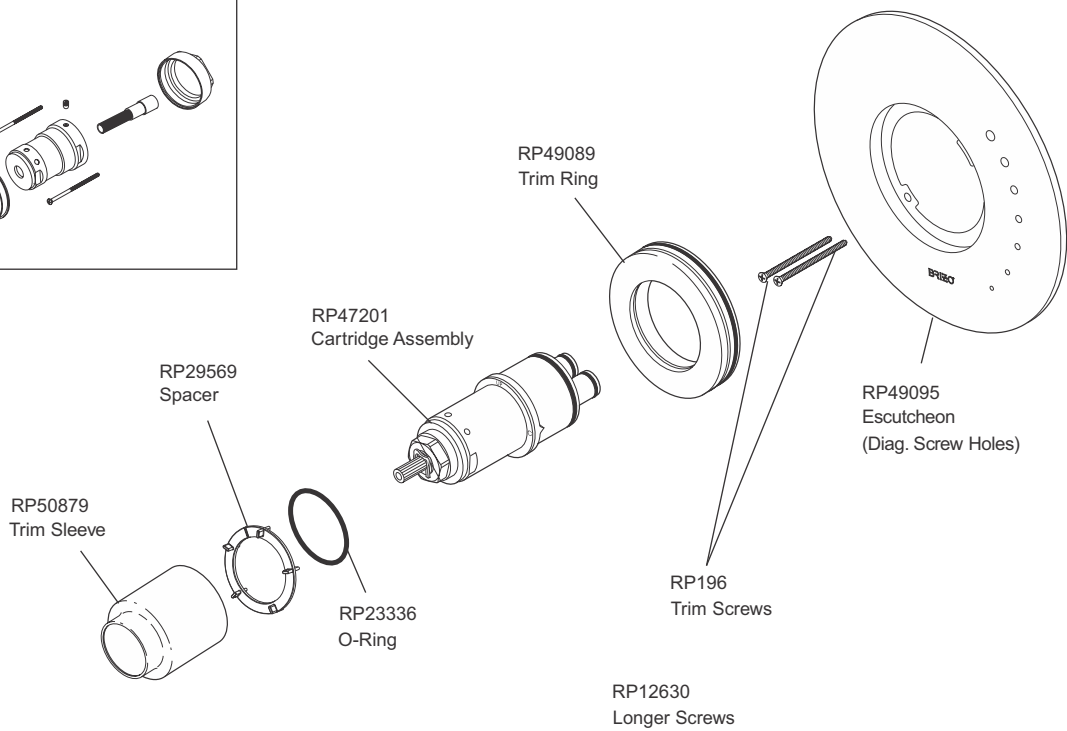
Model 87375  
Showerhead



RP 71648  
Shower Arm & Flange



RP74785  
Available Extension Kit



RP50879  
Trim Sleeve

RP29569  
Spacer

RP47201  
Cartridge Assembly

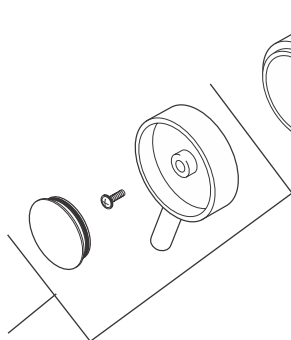
RP23336  
O-Ring

RP49089  
Trim Ring

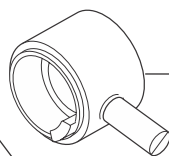
RP49095  
Escutcheon  
(Diag. Screw Holes)

RP196  
Trim Screws

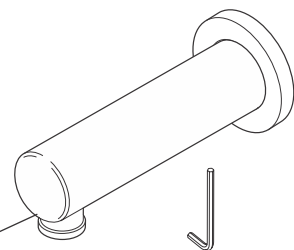
RP12630  
Longer Screws



RP49096  
Temperature Knob, Cover & Screw



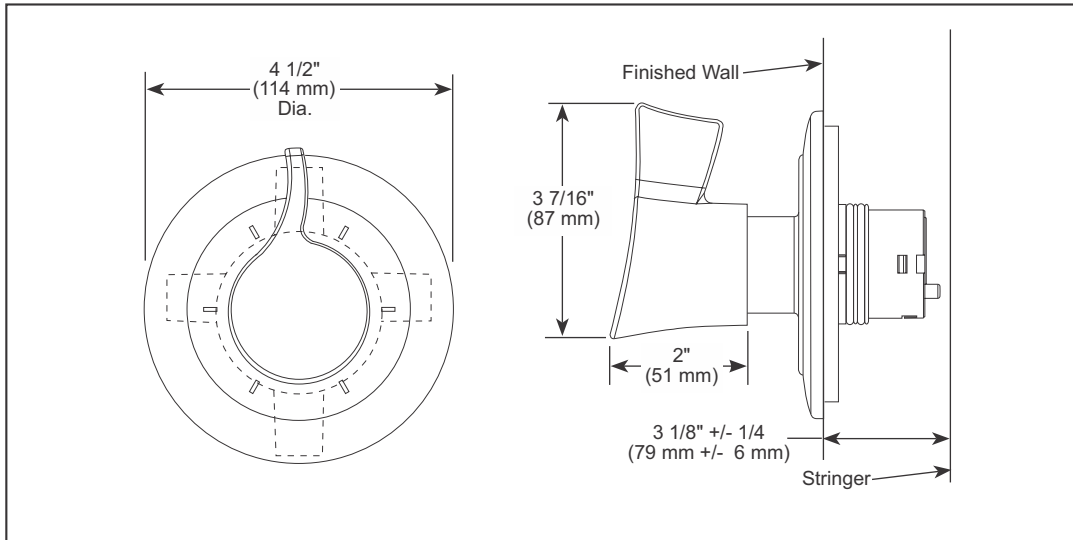
RP49097  
Handle Assembly



RP54874  
Tub Spout/Pull-Down Diverter & Allen Wrench

\* Select Finish.

### Technical Specification Sheet



RP51918  
3 Function Diverter Cartridge

RP72123  
2-Function, Non-Shared Diverter Cartridge

RP51919  
6 Function Diverter Cartridge

RP75012  
Available Extension Kit

RP72124  
3-Function, Non-Shared Diverter Cartridge

RP51916  
Sleeve  
Manga  
Manchon

RP51917  
Trim Sleeve

RP51925  
3 Function Escutcheon-RSVP

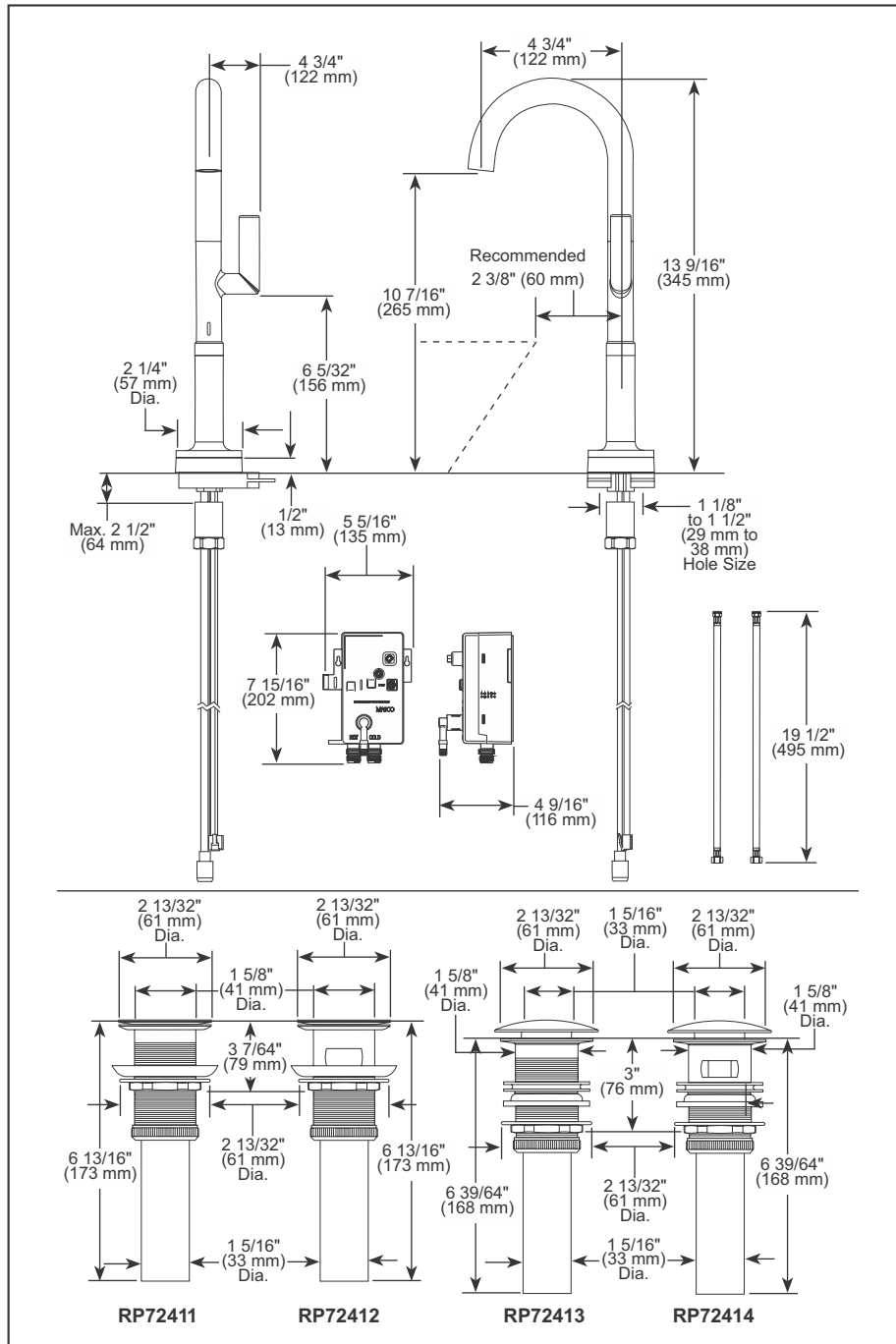
RP49137  
Handle w/Set Screw

RP49138  
6 Function Escutcheon-RSVP

## Jason Wu Single Handle Tall Lav Faucet with Touch

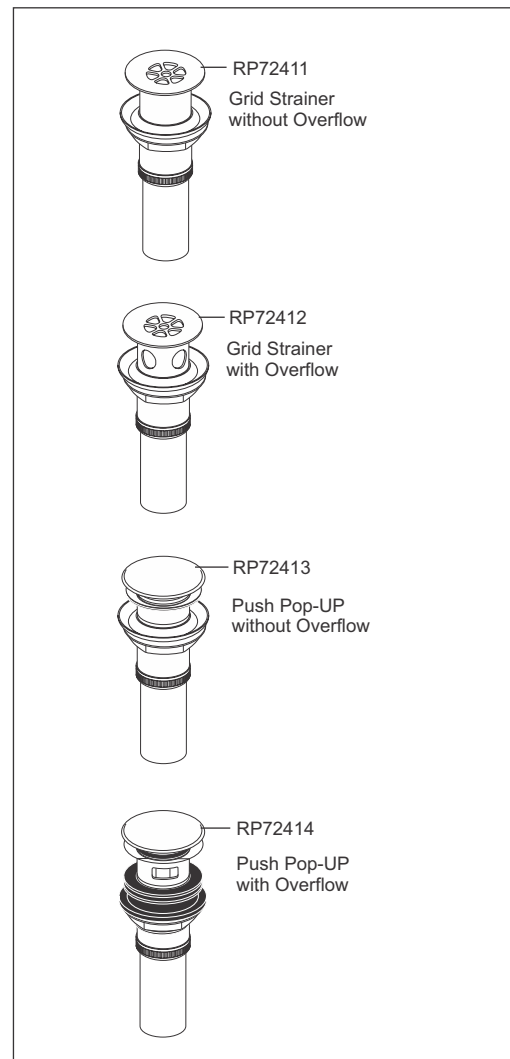
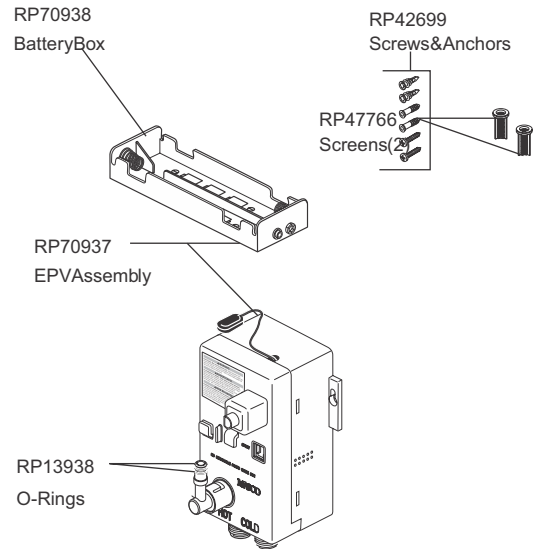
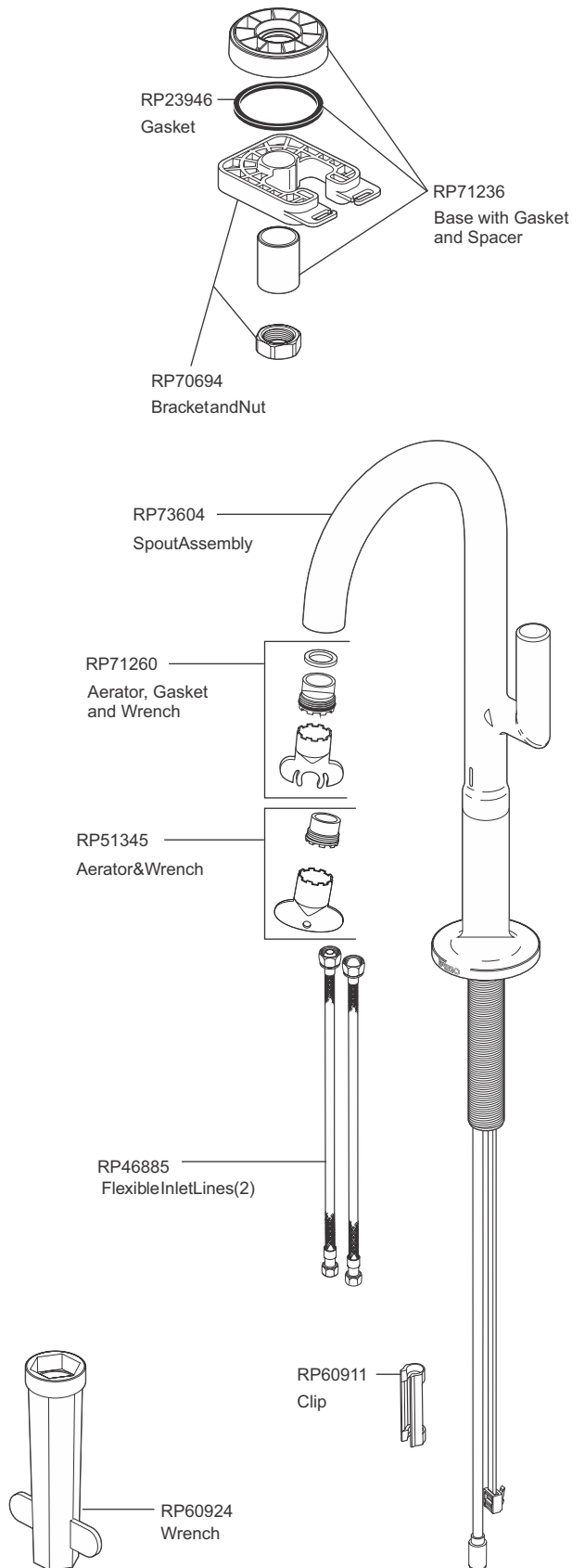
65475LF-BL

### Technical Specification Sheet

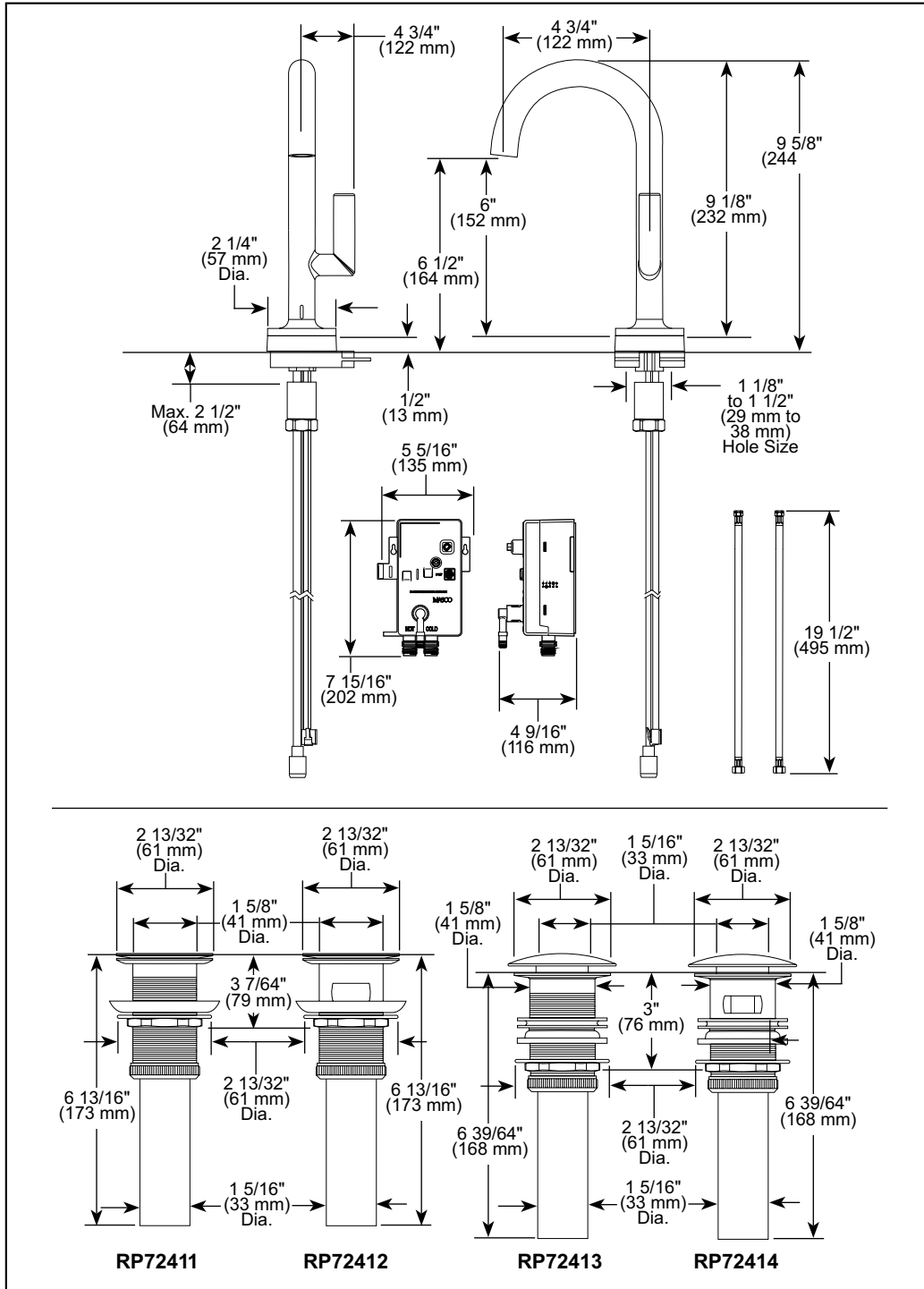


## Jason Wu Single Handle Tall Lav Faucet with Touch

## 65475LF-BL



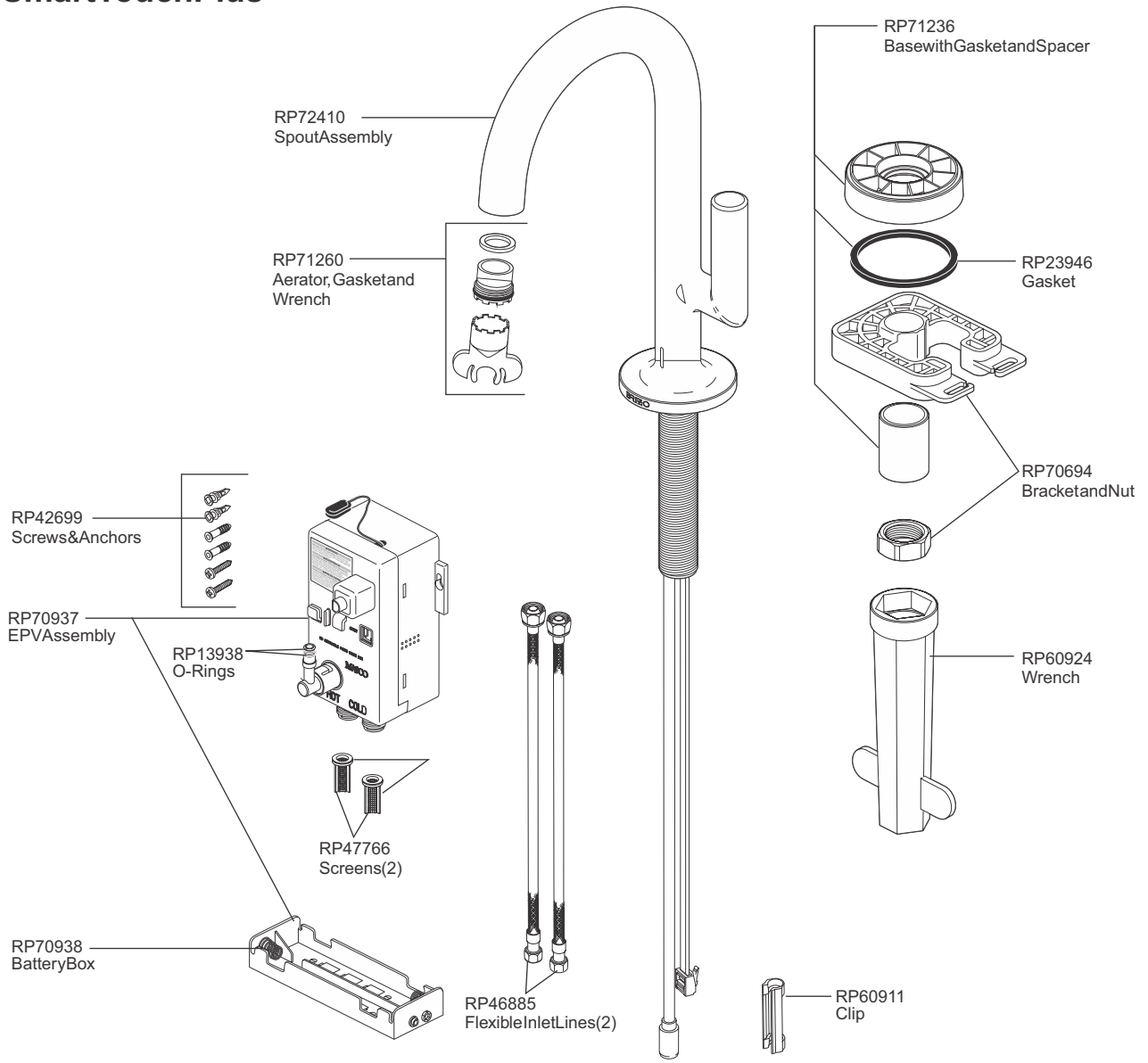
### Technical Specification Sheet



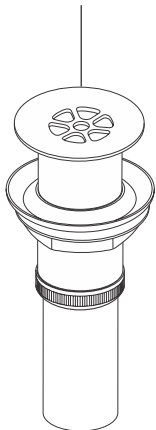


## Jason Wu Single Handle Lav Faucet with SmartTouchPlus

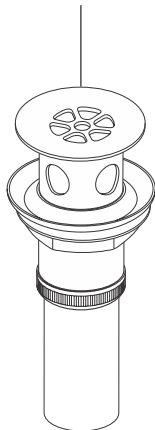
## 65675LF-BL



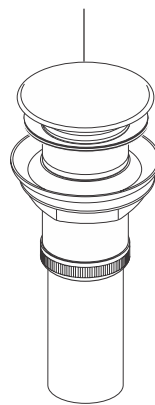
RP72411 Grid Strainer without Overflow



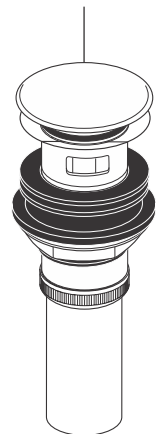
RP72412 Grid Strainer Assembly with Overflow



RP72413 Push Pop-UP without Overflow

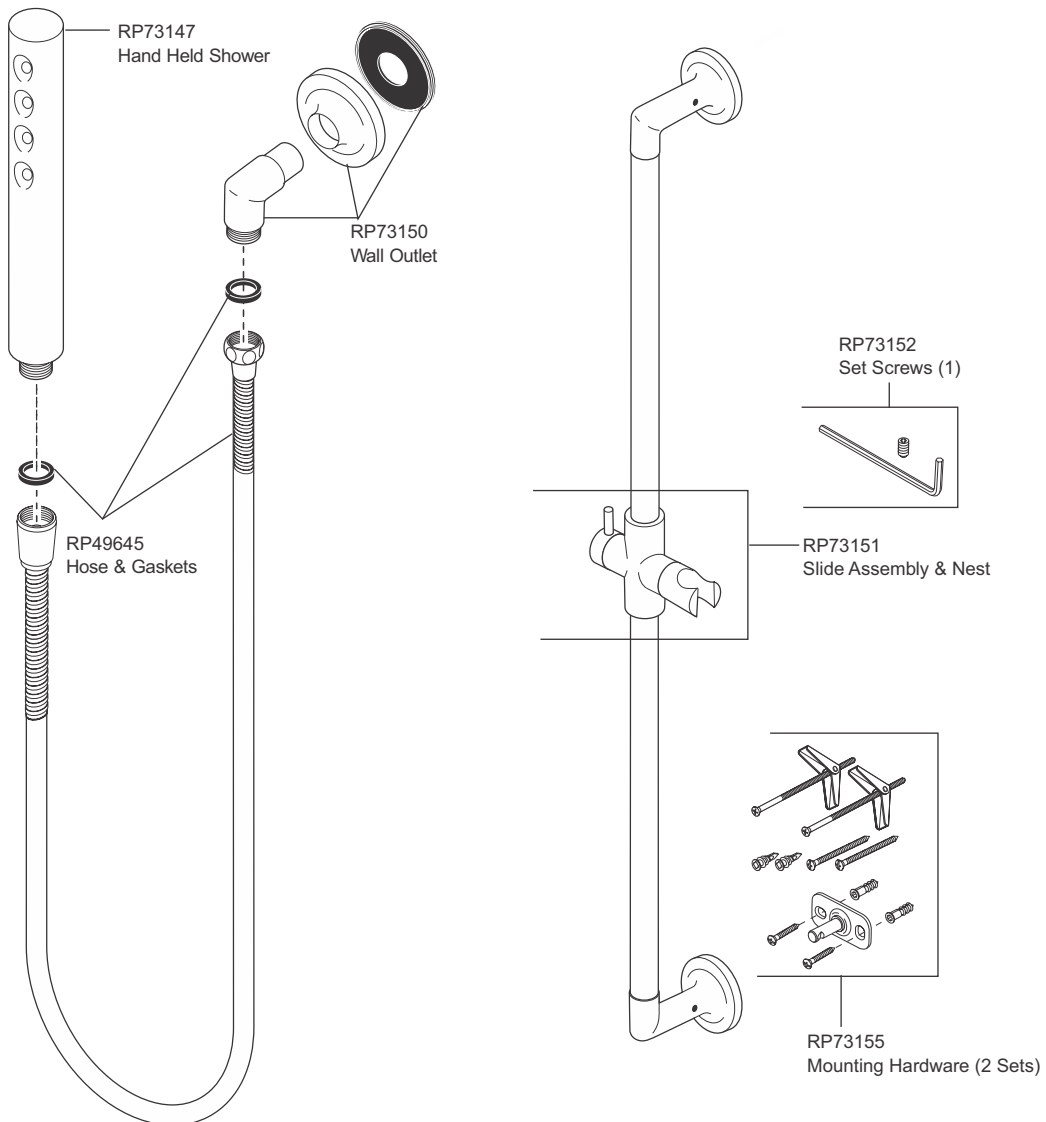
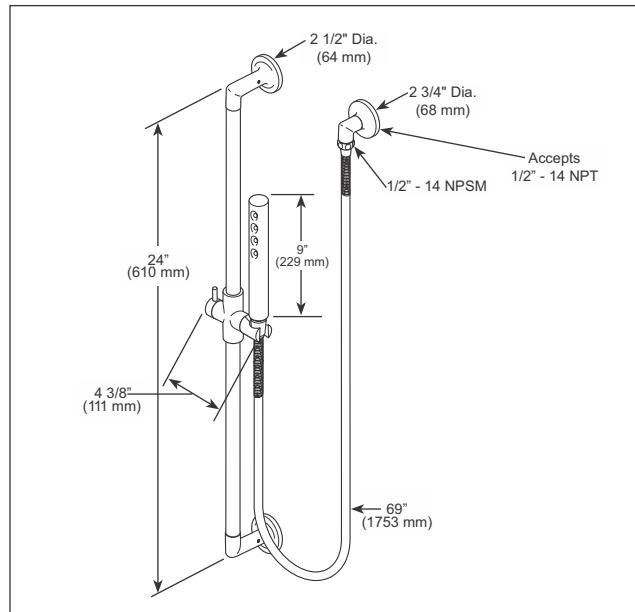


72414RP Push Pop-UP with Overflow



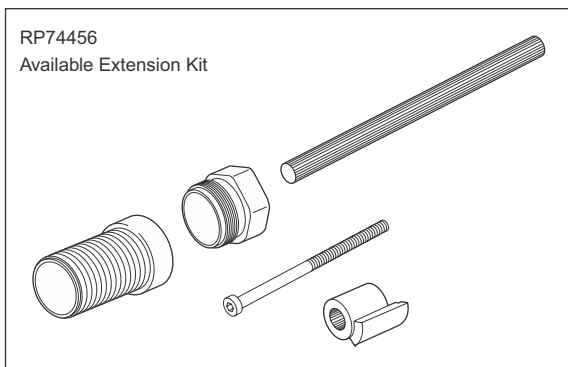
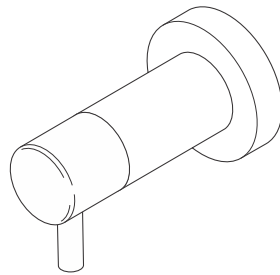
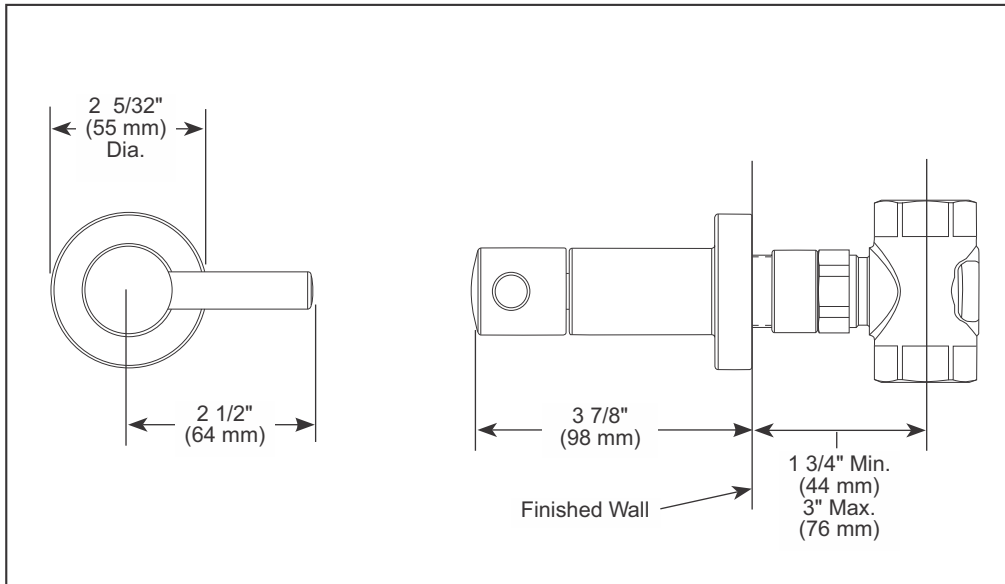
\* Select Finish.

### Technical Specification Sheet

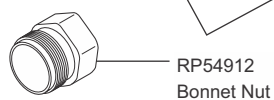
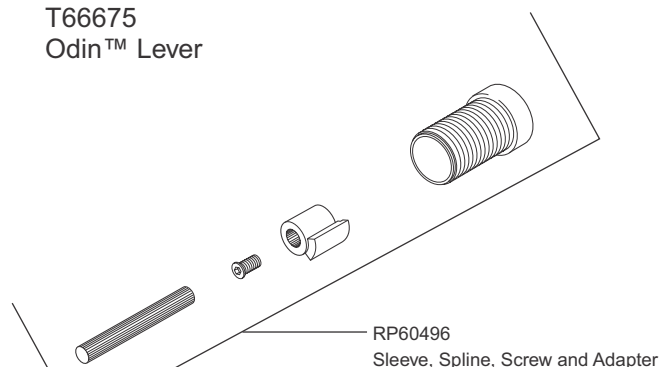


\* Select Finish.

**Technical Specification Sheet**

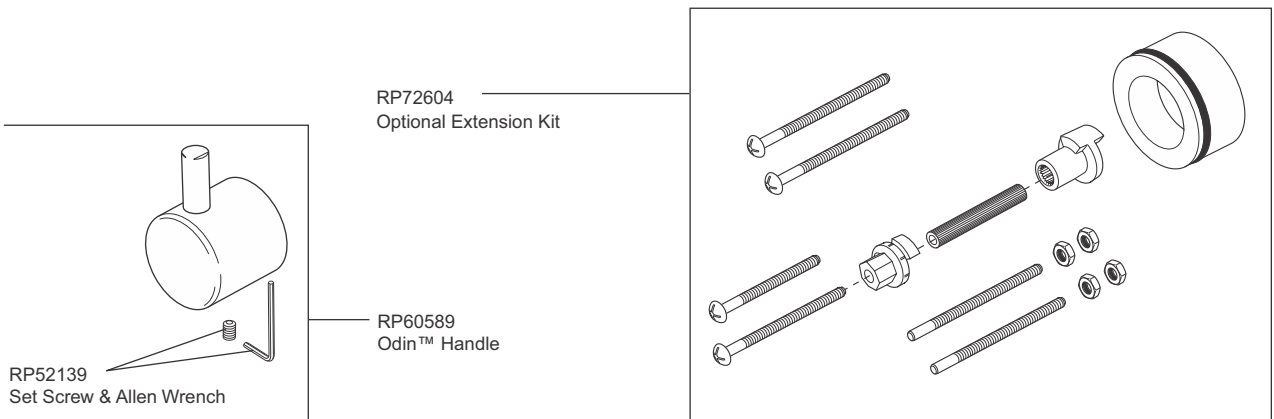
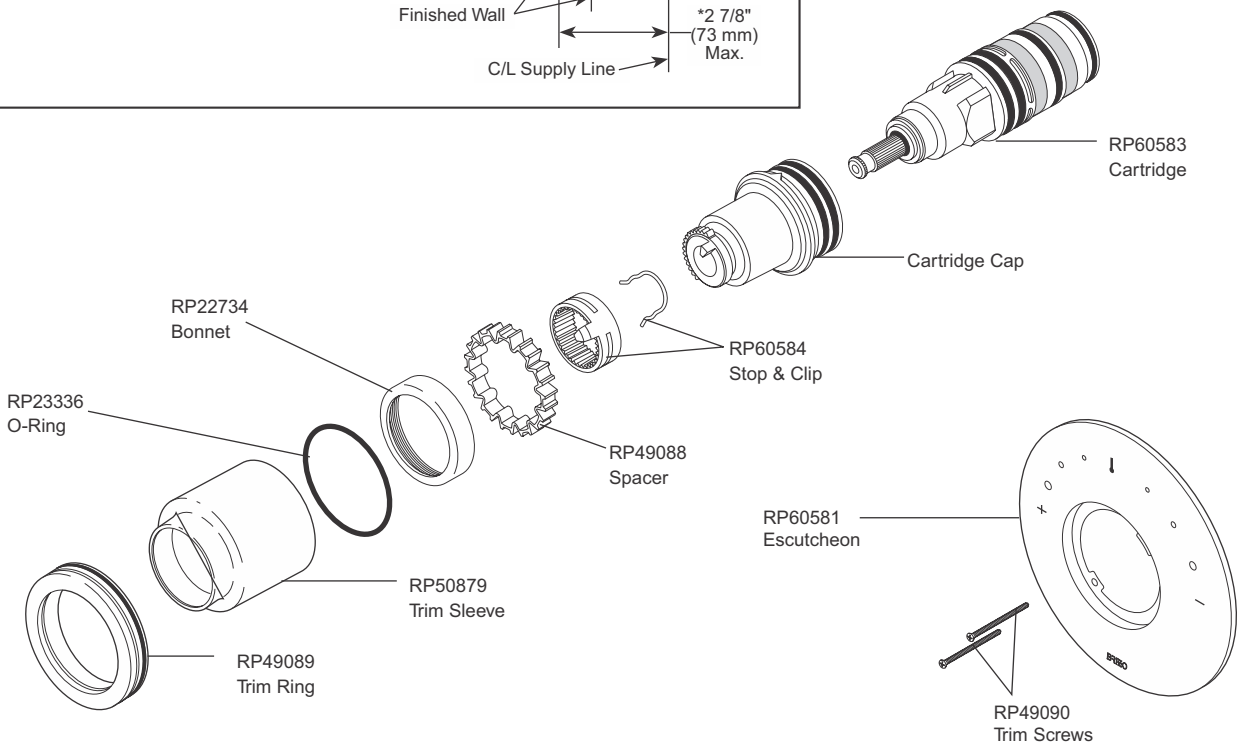
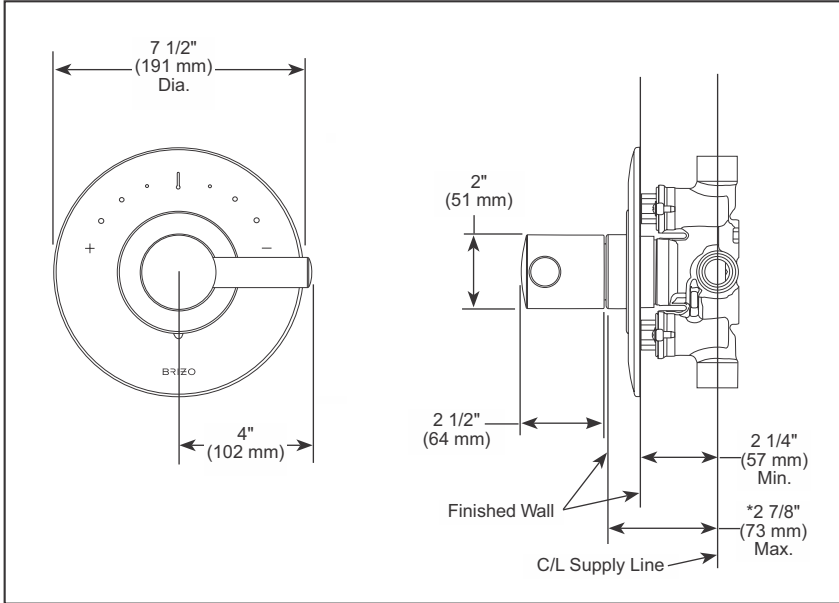


**T66675  
Odin™ Lever**



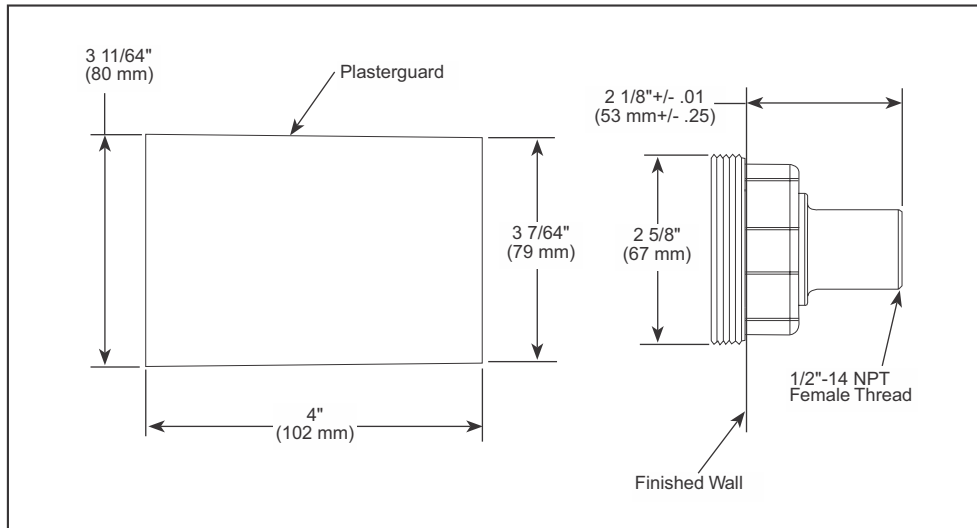
\* Select Finish.

### Technical Specification Sheet

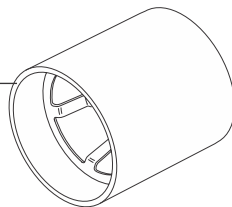


\* Select Finish.

### Technical Specification Sheet

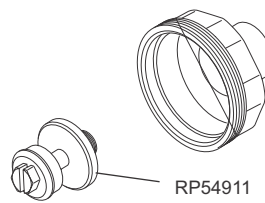


RP42206  
Plasterguard

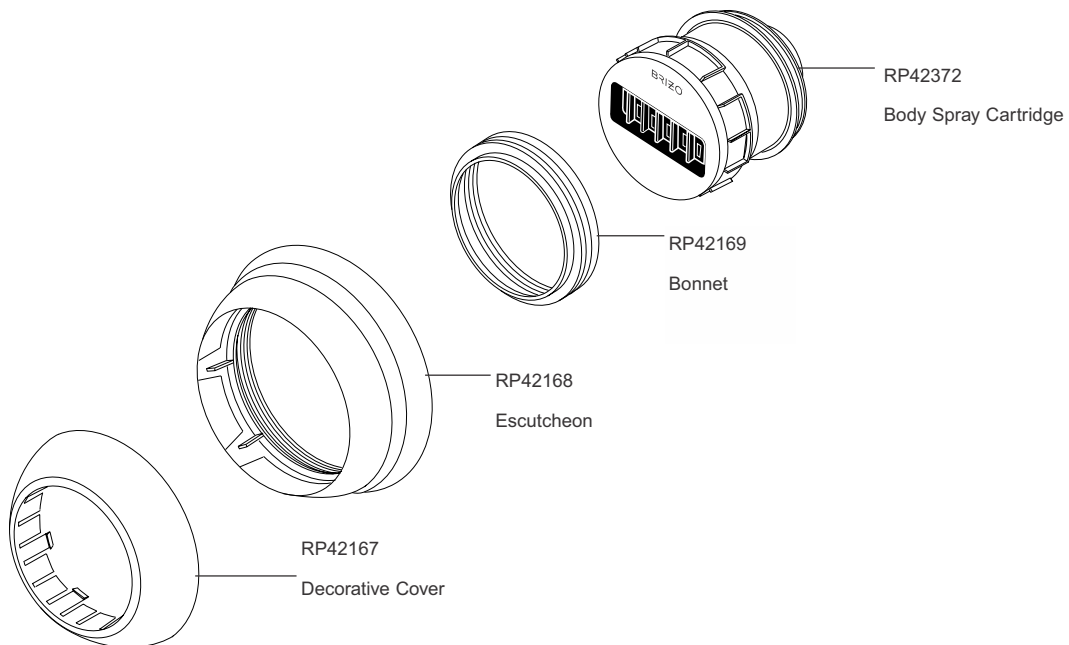
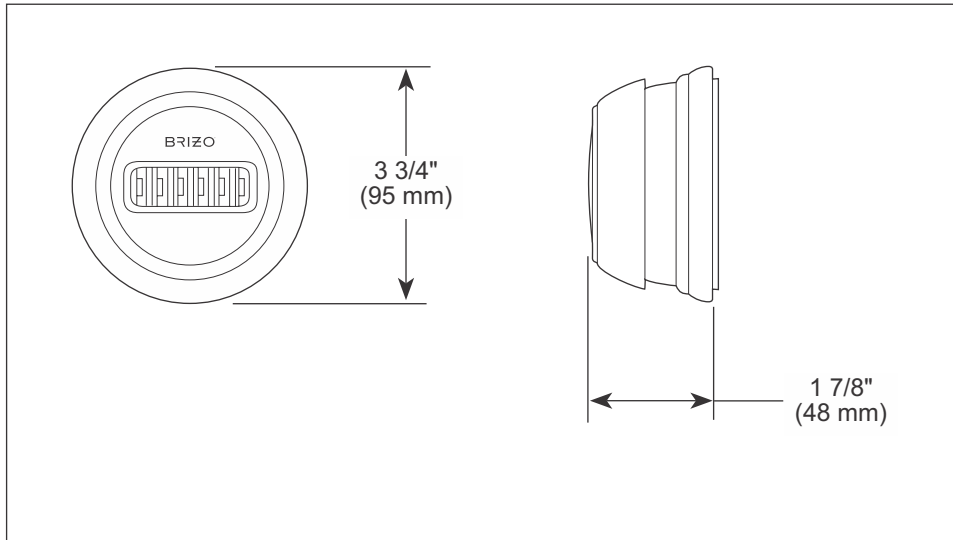


RP42171  
Rough Body

RP54911  
Test Plug



### Technical Specification Sheet

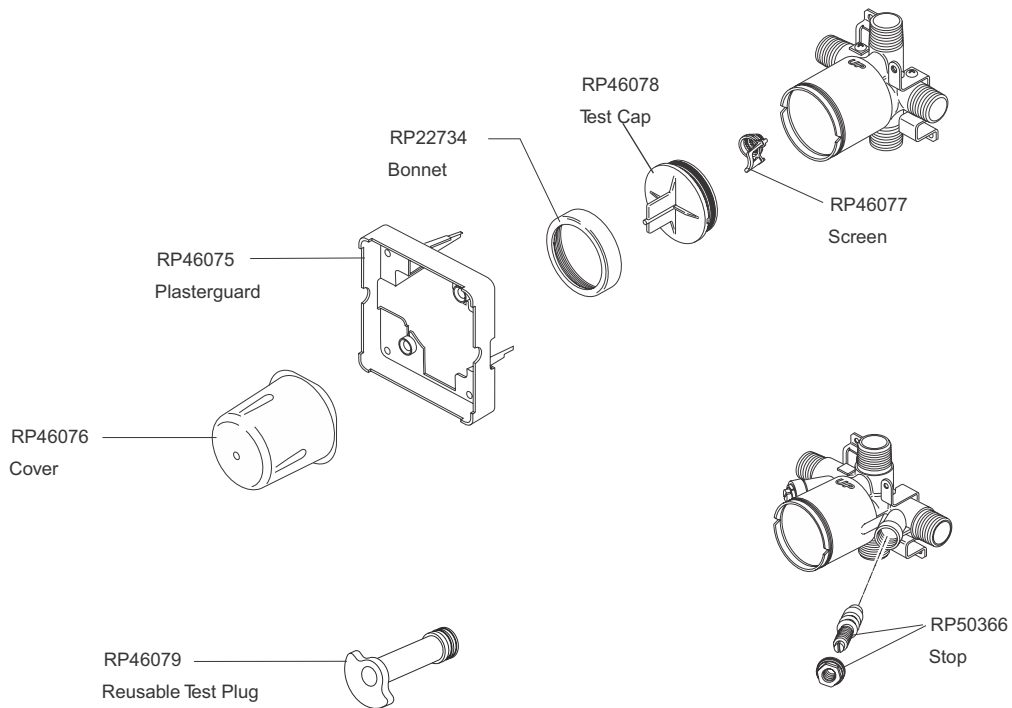
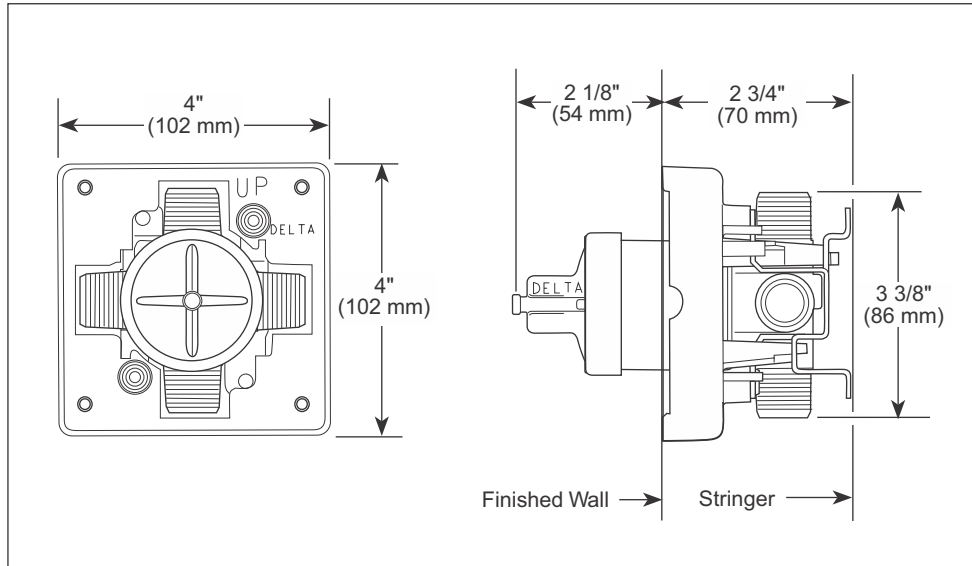


\* Select Finish.

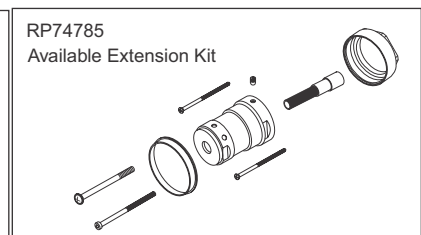
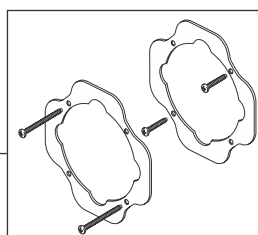
## MultiChoice Universal Tub and Shower Valve Rough only

## R60000-UNBX

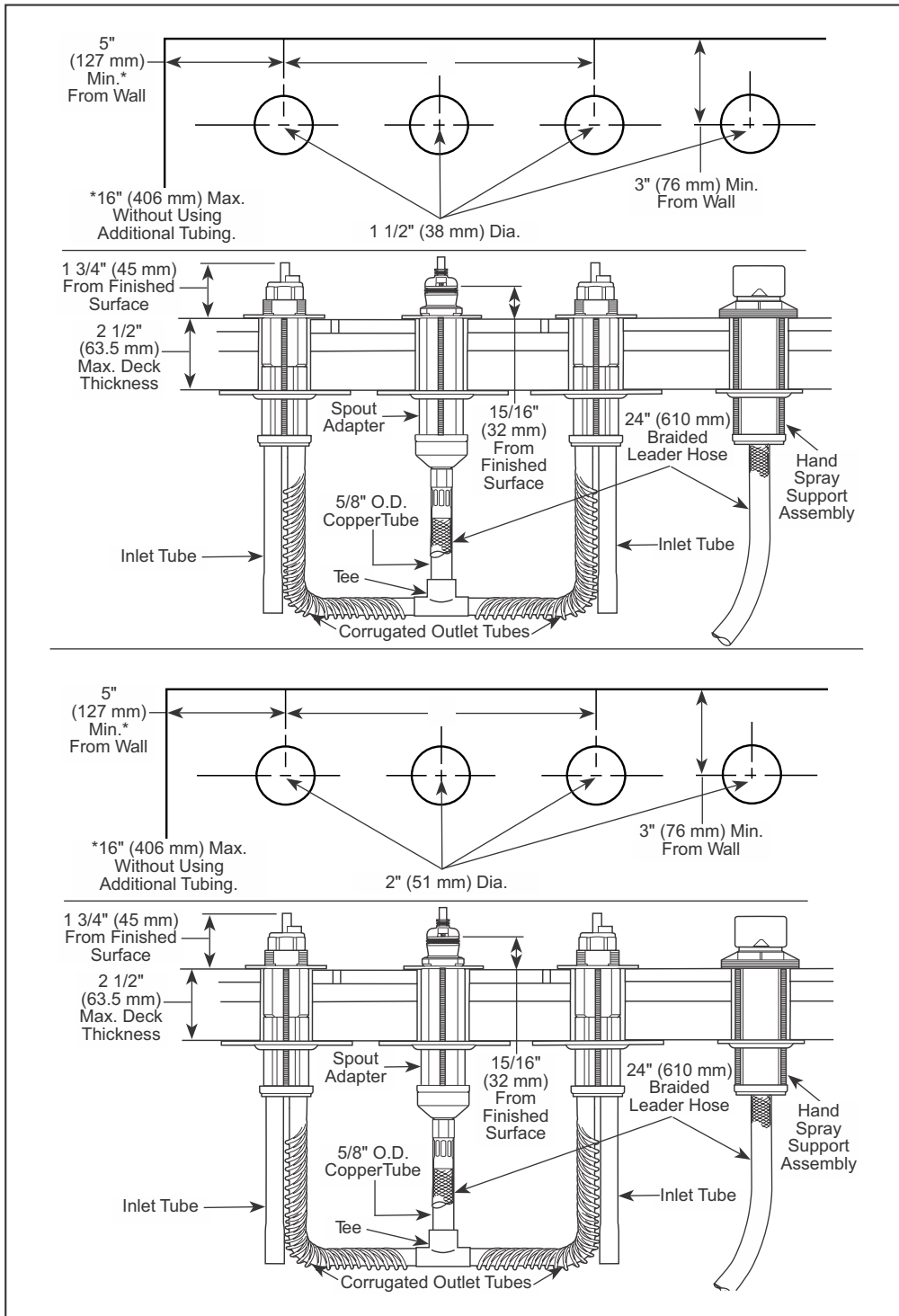
### Technical Specification Sheet



RP47202 Thin Wall Mounting Kit



### Technical Specification Sheet



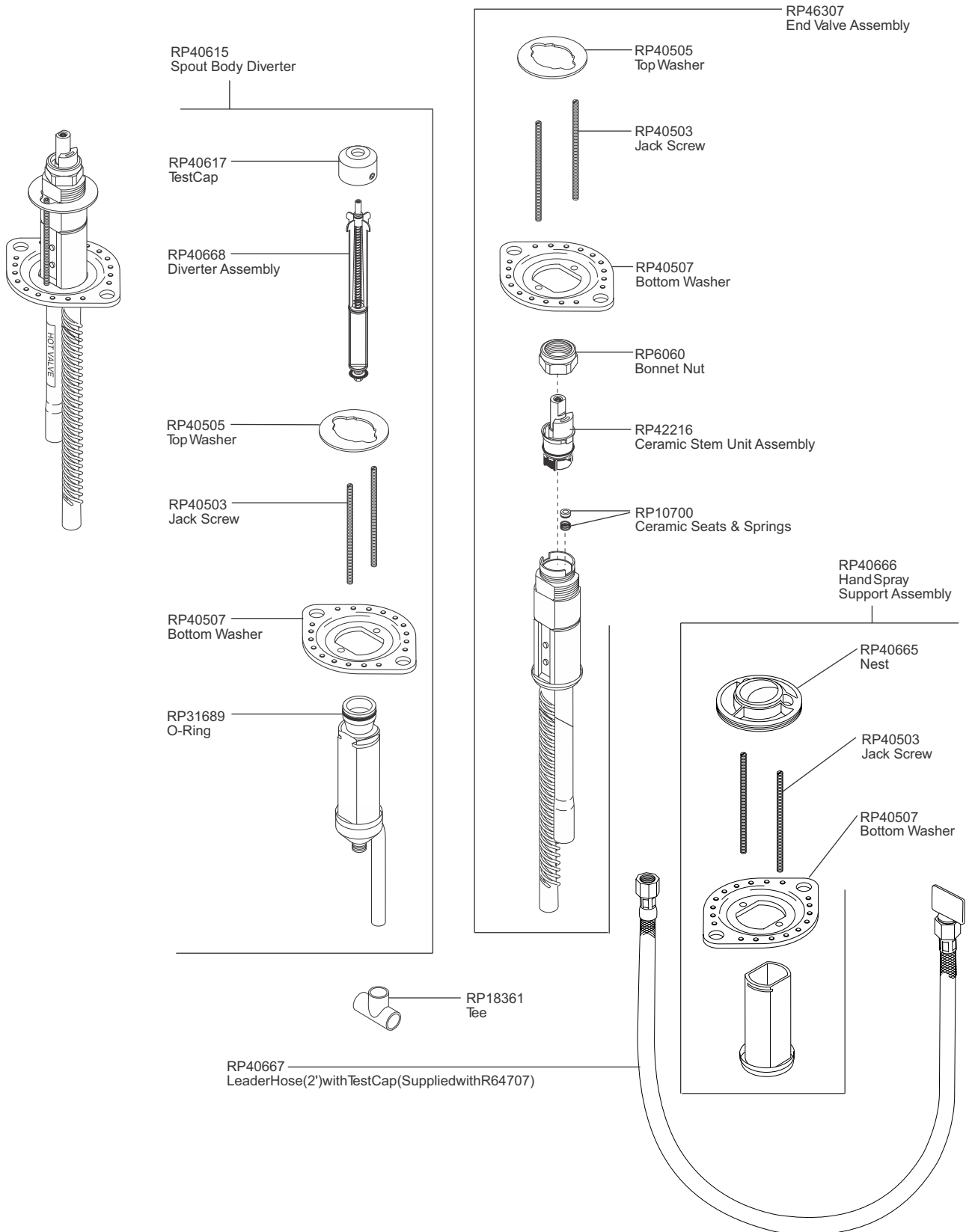


# BRIZO

# COMPLEMENTARY FOR BRIZO

Brizo Rough only for 4-Hole Bath Tub Filler

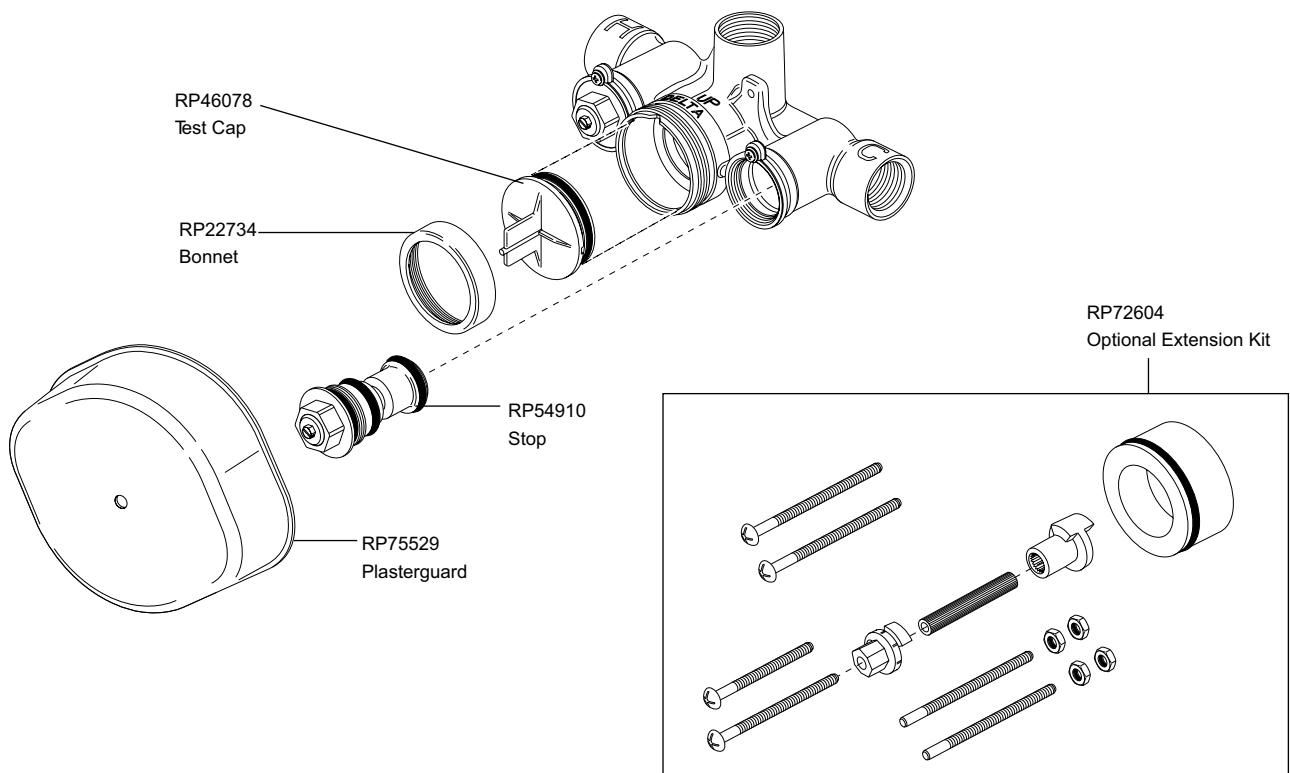
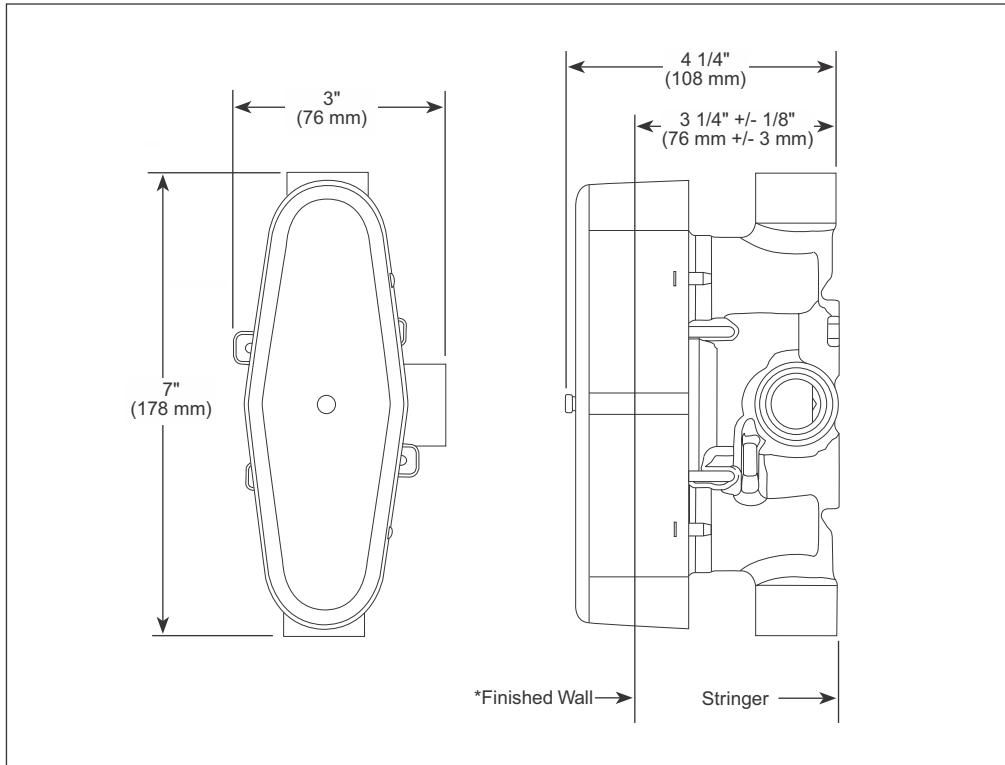
R64707



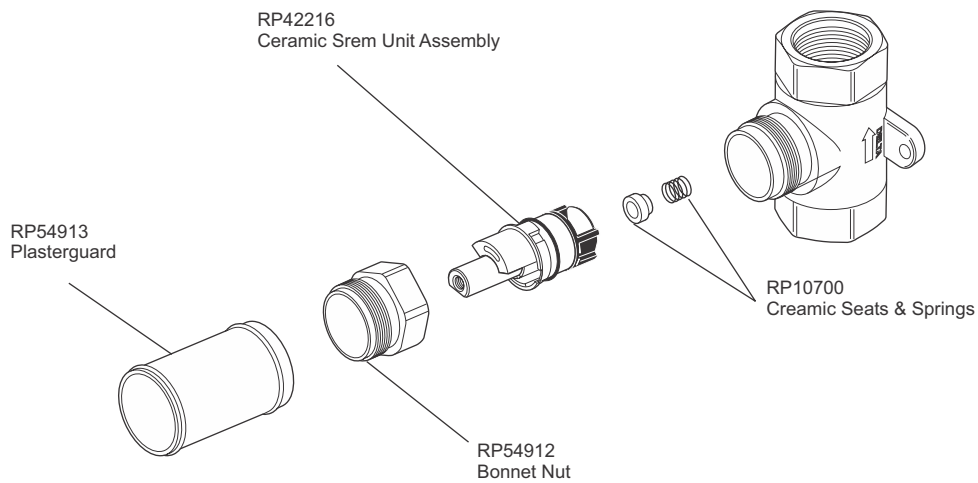
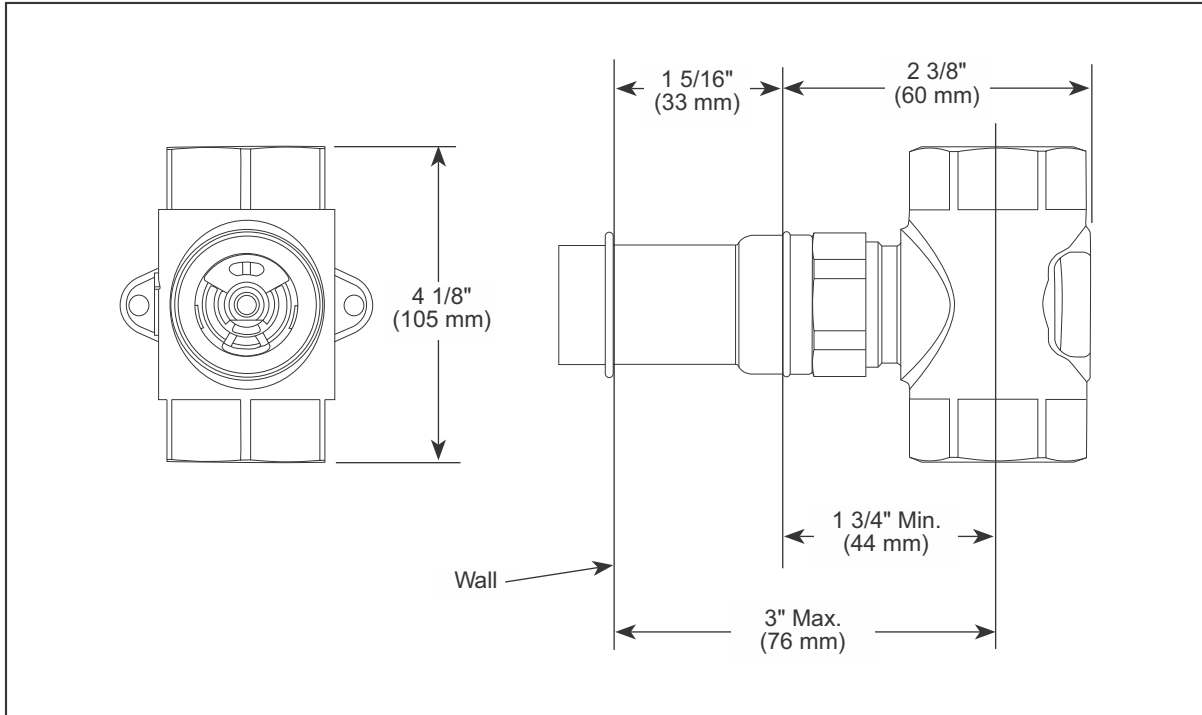
## Sensori Hi-Flow Thermostatic Valve Rough only with Stops

## R66000-WS

### Technical Specification Sheet



### Technical Specification Sheet

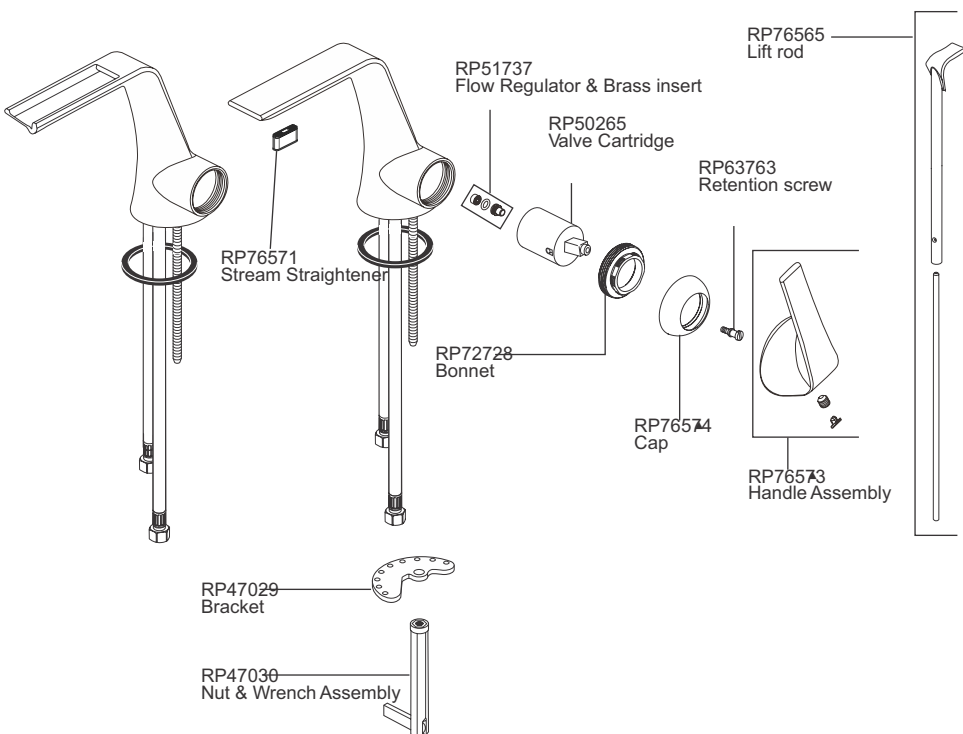
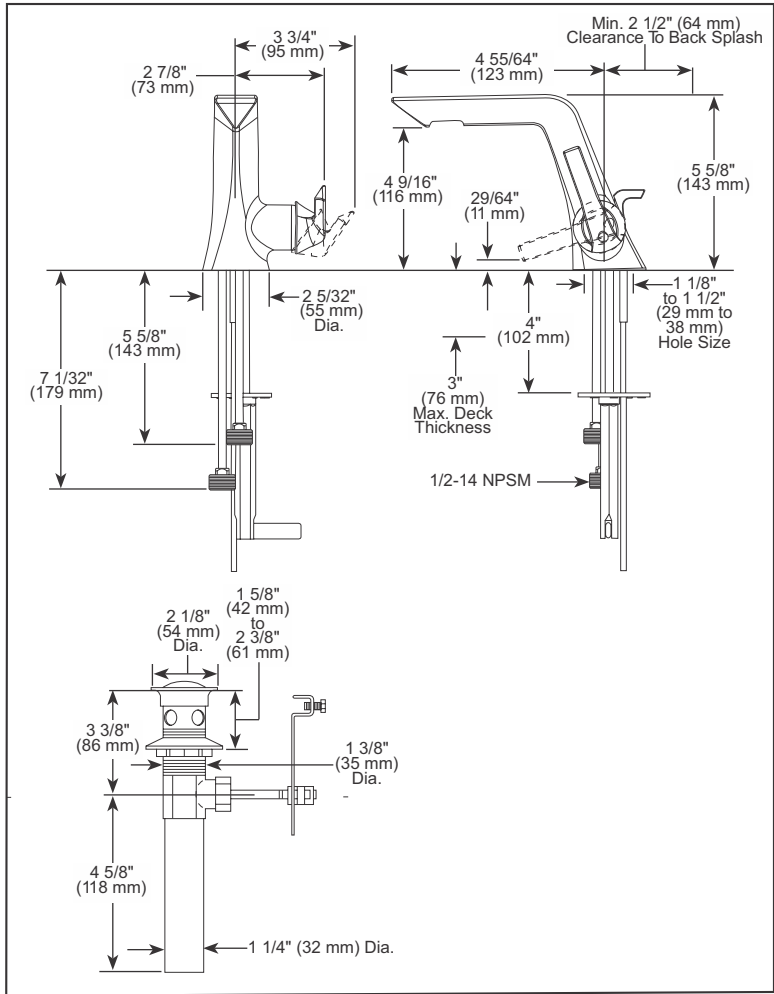
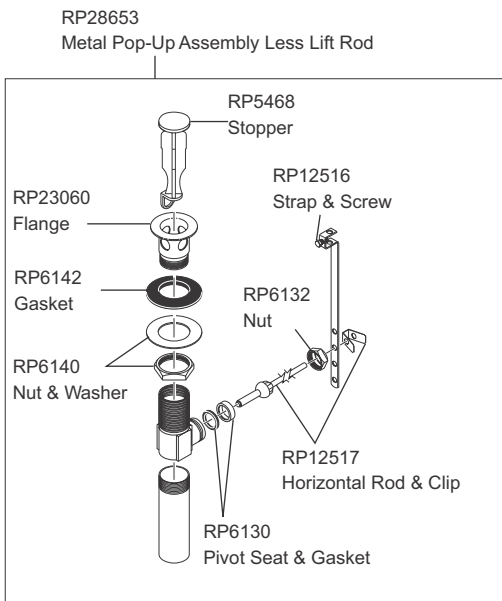




## Sotria Single-Handle Lav Faucet with Pop-up with Regular Spout

## 65050LF

### Technical Specification Sheet

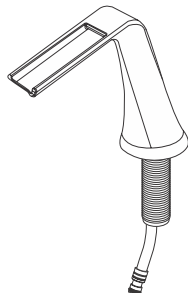
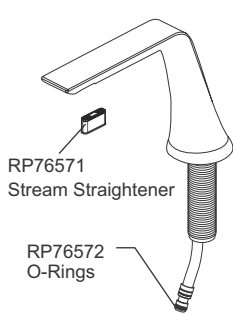
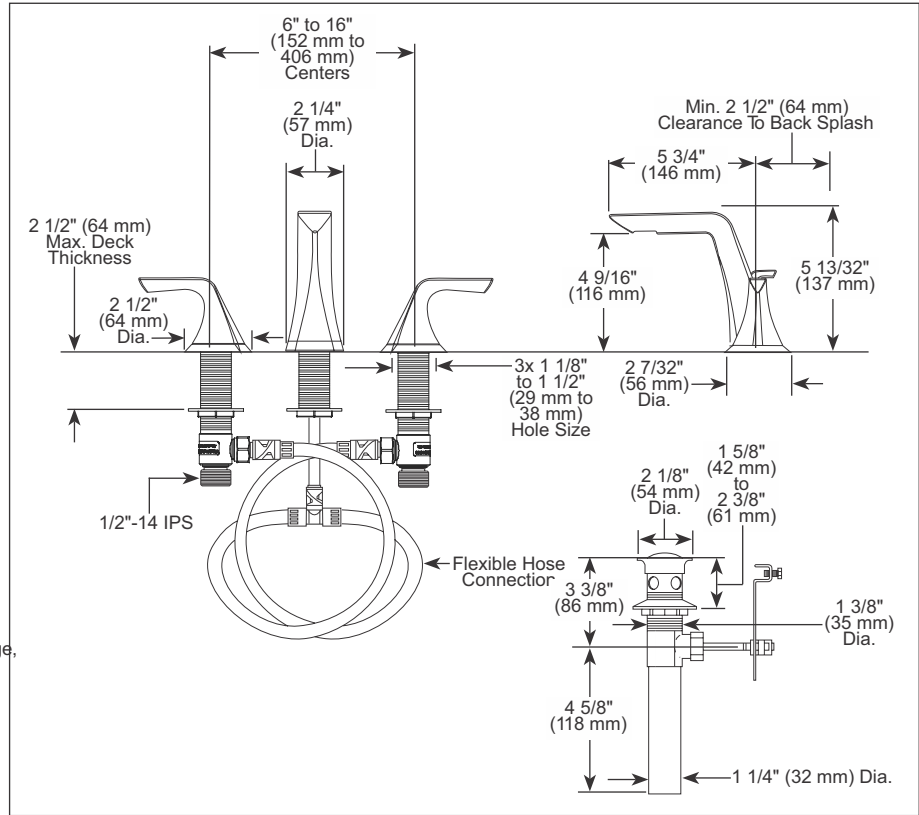
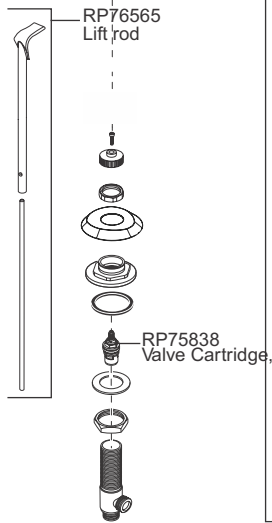


\* Select Finish.

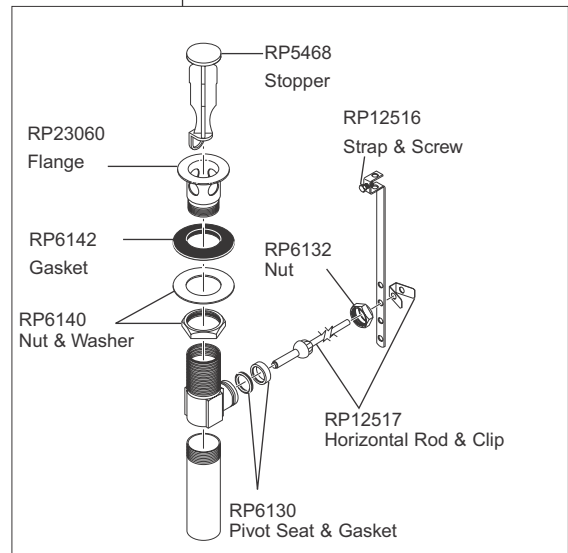
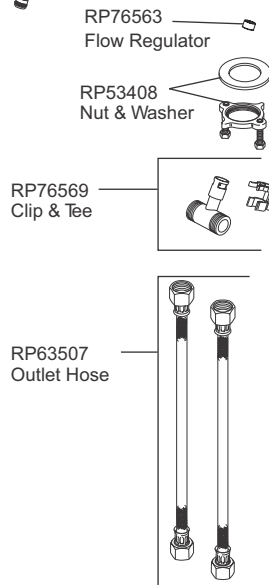
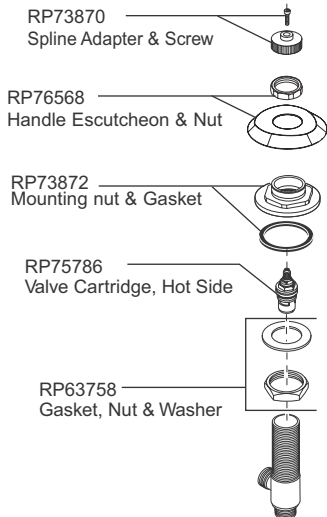
## Sotria 2-Handle Widespread Lavatory Faucet with Regular Spout and Pop Up

### 65350LF

### Technical Specification Sheet



RP28653 Metal Pop-Up Assembly Less Lift Rod

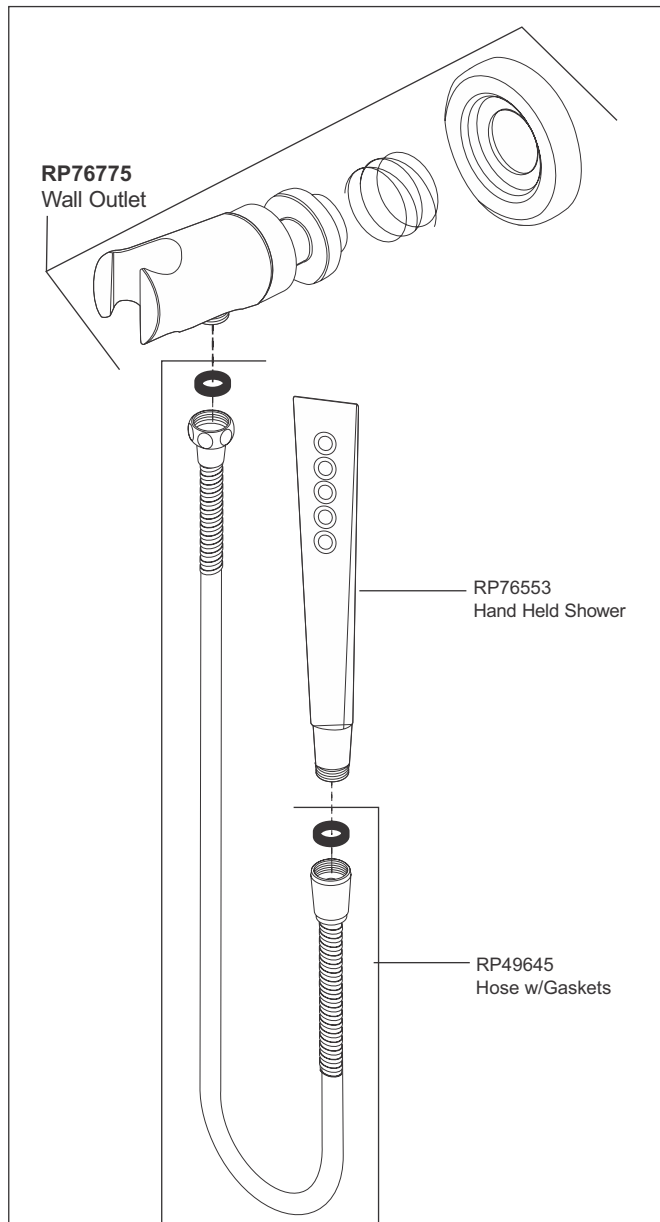
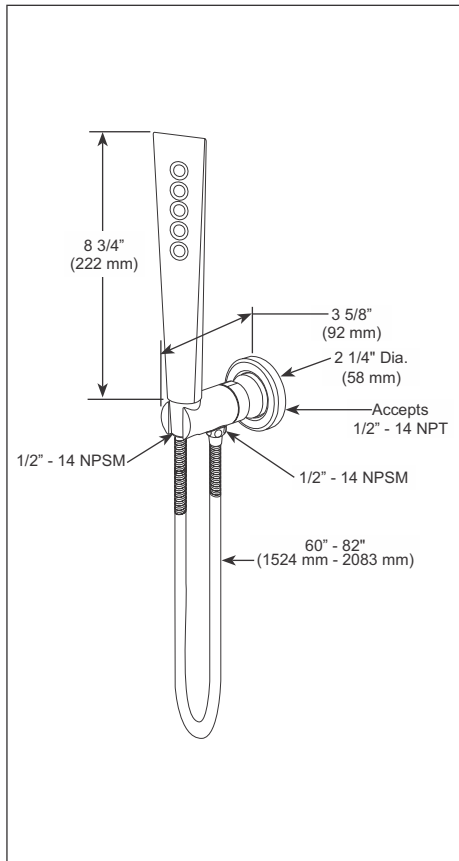


\* Select Finish.

## Sotria H2Okinetic Handshower with Hose & Wall-Mount Bracket with Integrated Elbow

88850

### Technical Specification Sheet

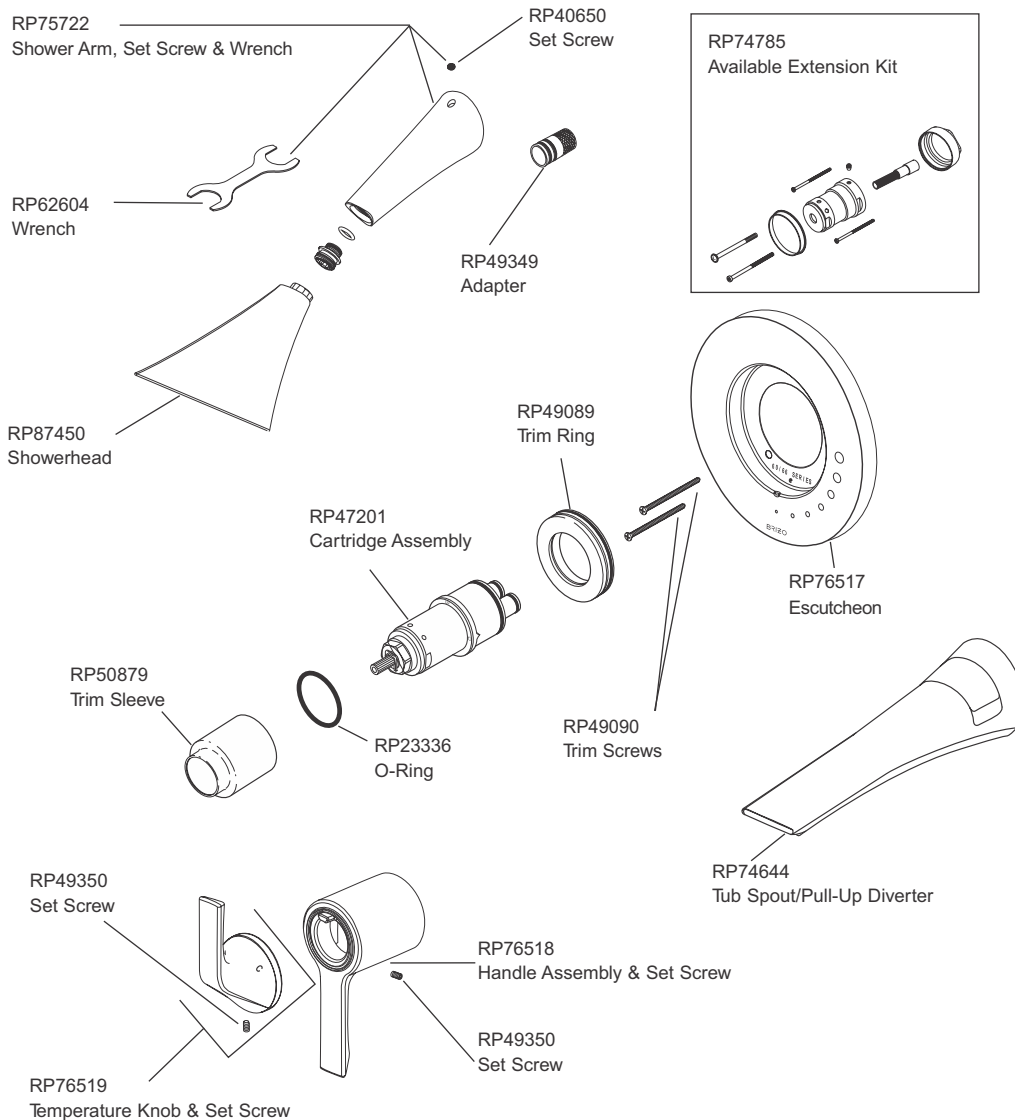
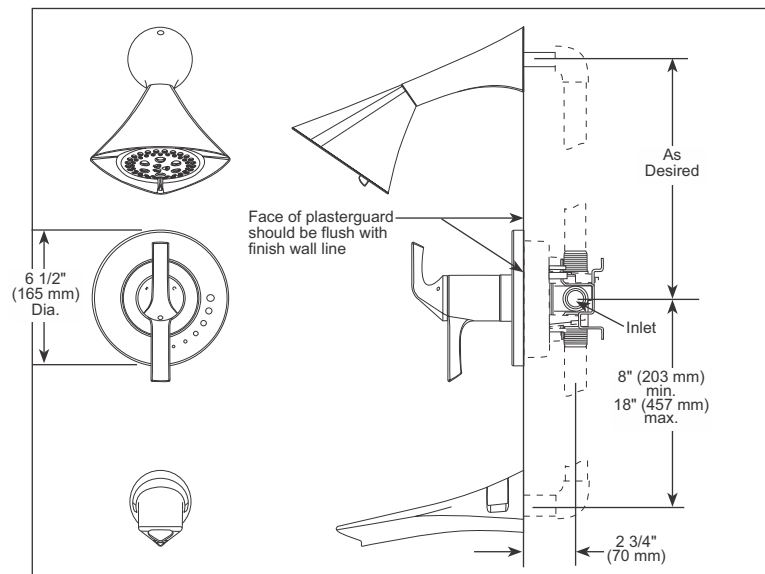


\* Select Finish.

## Sotria Bath Spout without Diverter

## T60050

### Technical Specification Sheet



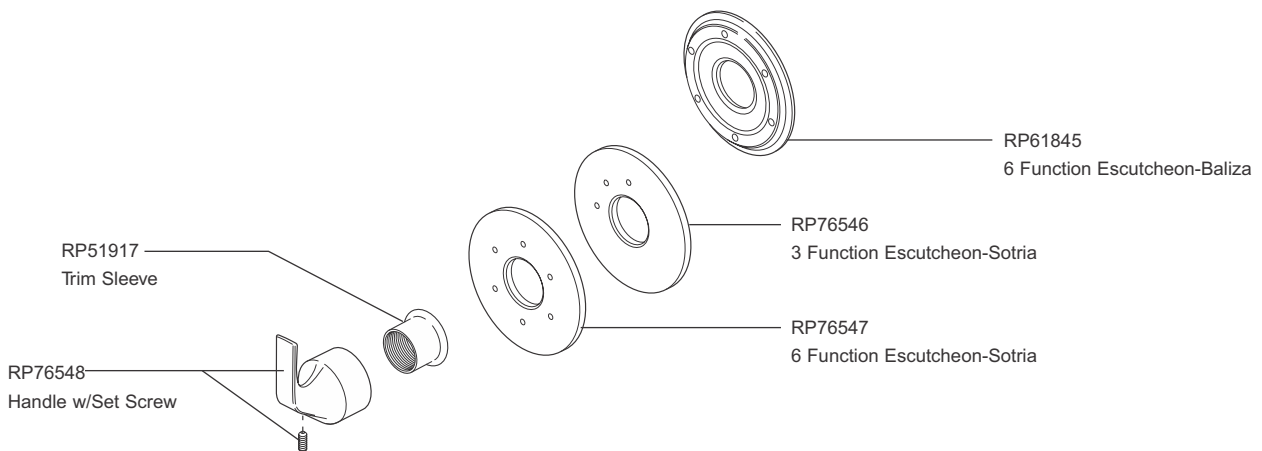
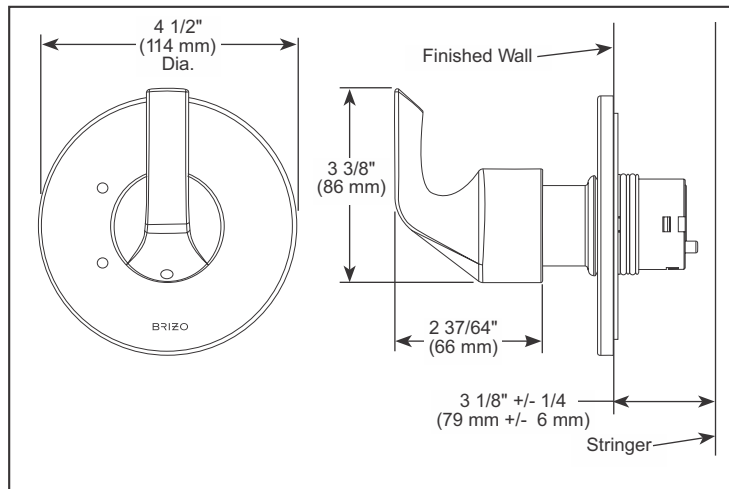
\* Select Finish.



## Sotria 3-Setting Diverter Trim

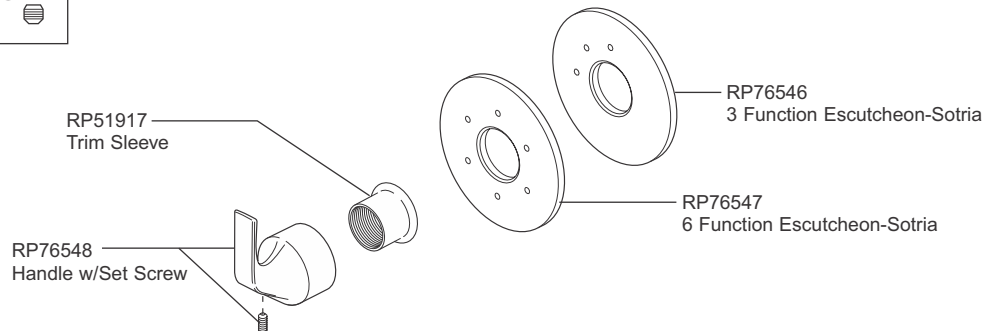
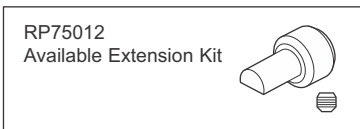
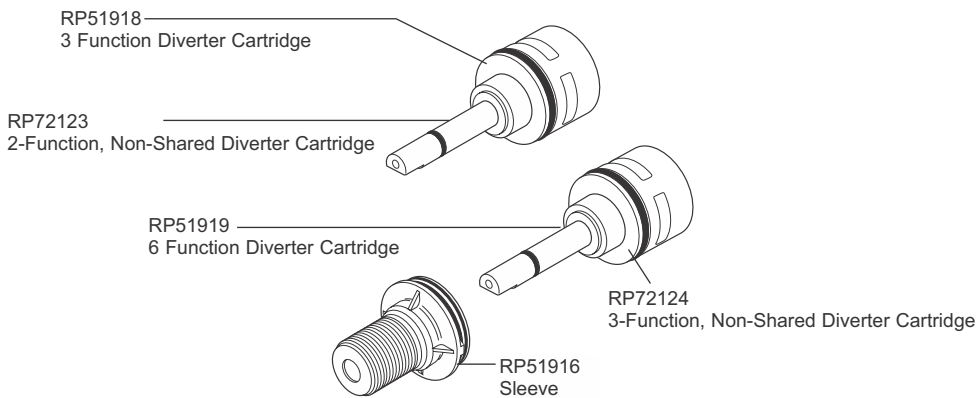
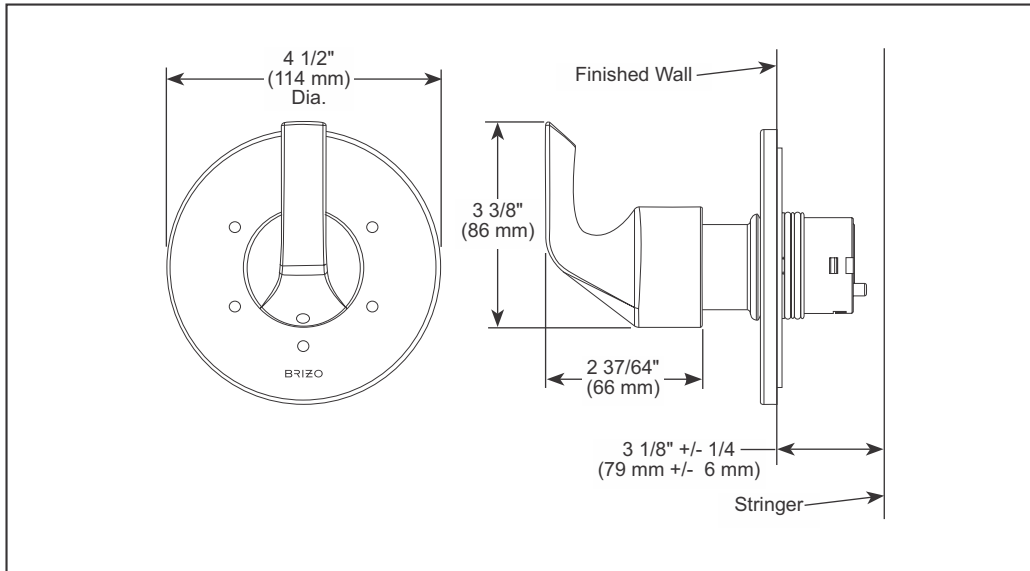
T60850

### Technical Specification Sheet



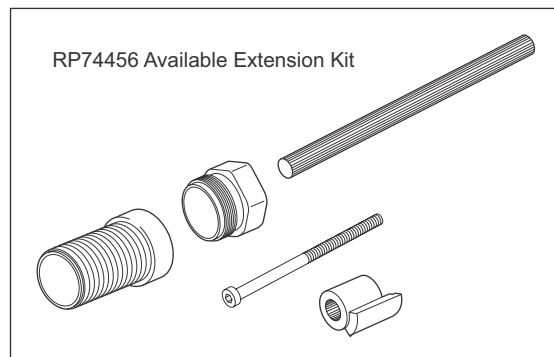
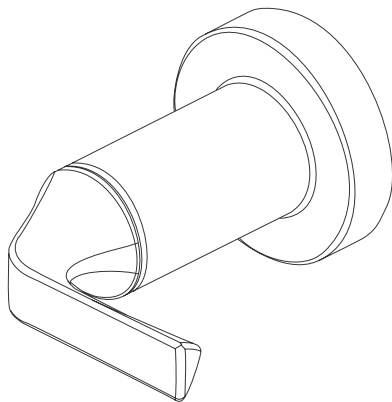
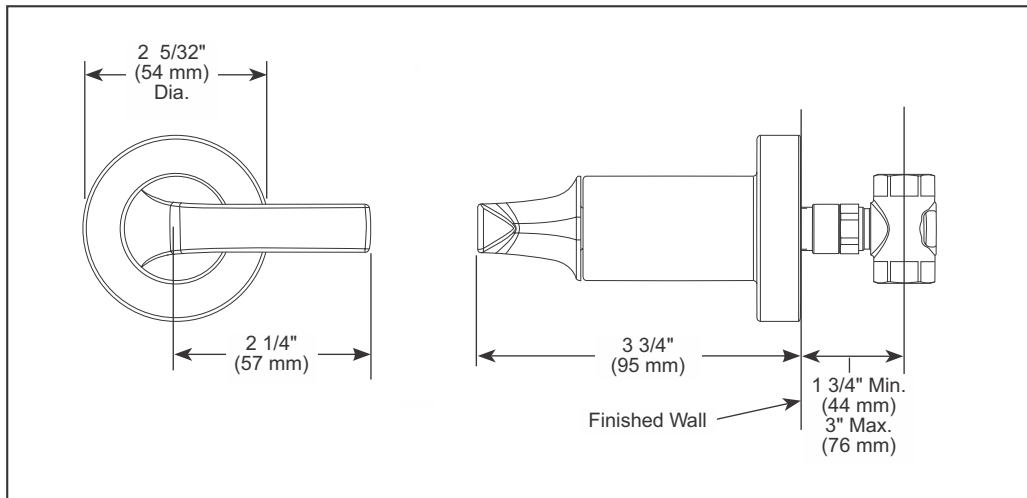
\* Select Finish.

**Technical Specification Sheet**

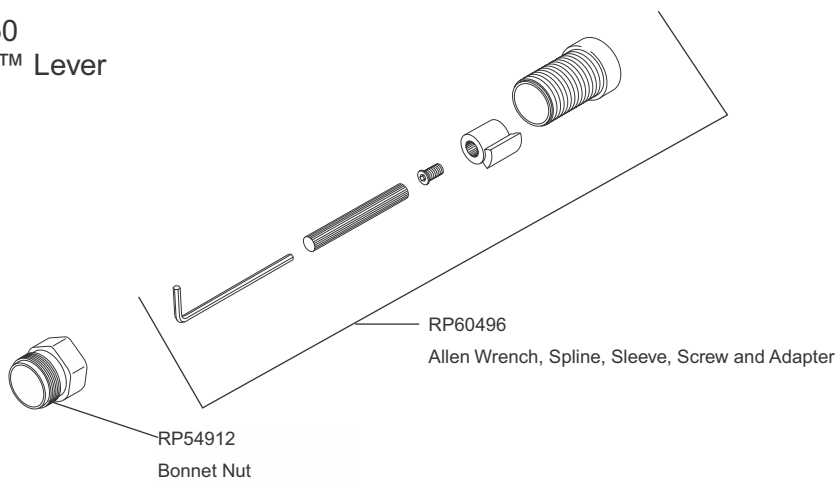


\* Select Finish.

### Technical Specification Sheet

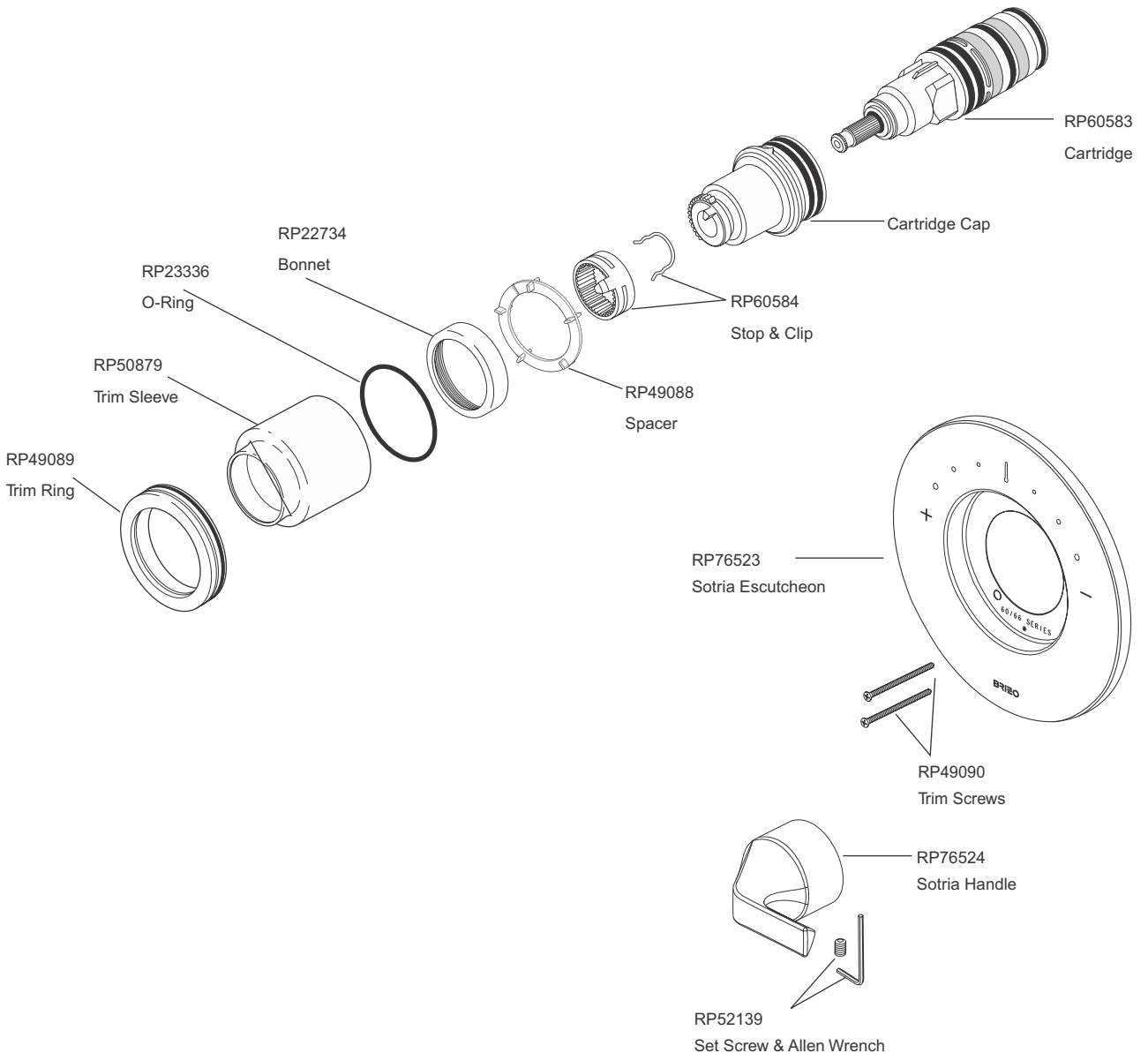
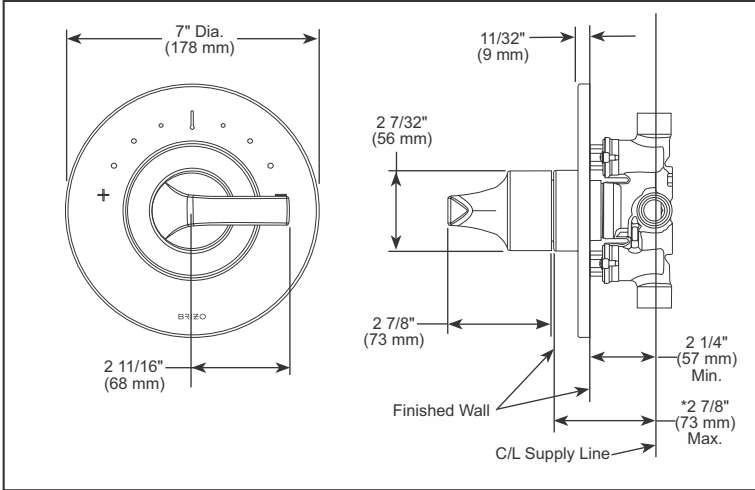


T66650  
Sotria™ Lever



\* Select Finish.

### Technical Specification Sheet

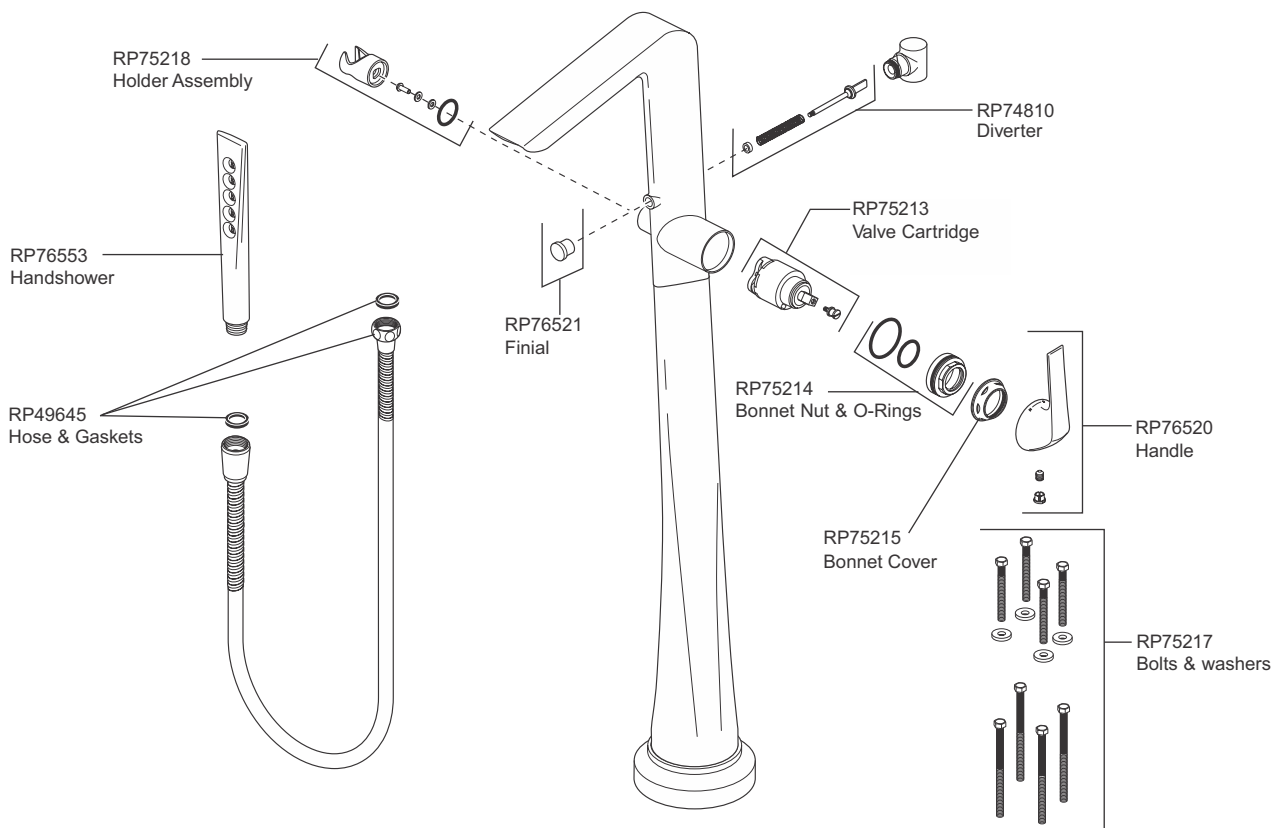
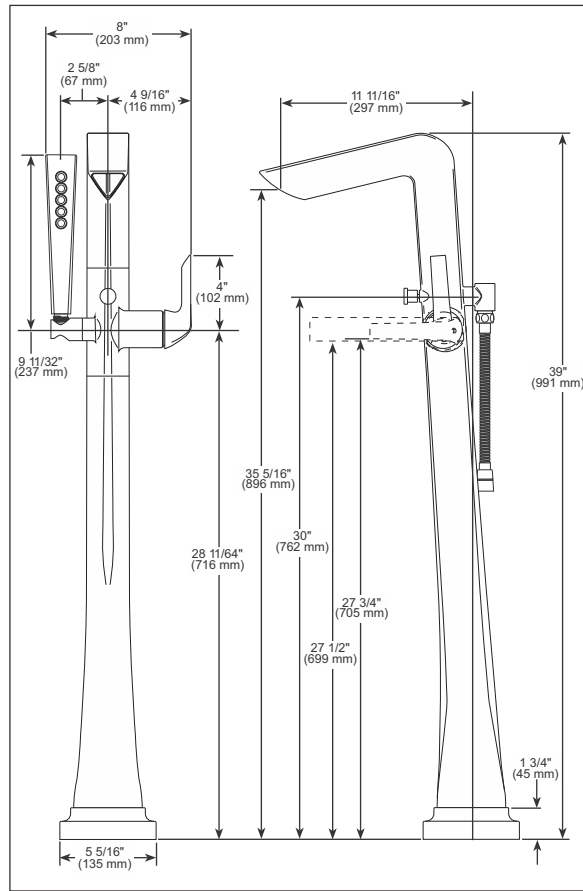


\* Select Finish.

## Sotria Freestanding Tub Filler with H2OKinetic Handshower

### T70150

### Technical Specification Sheet



\* Select Finish.



see what Delta can do™

A MASCO COMPANY

Delta Faucet Company India Pvt. Ltd.  
Unit No. 1061 & 1062, Tower B1,  
Spaze IT, Sohna Road,  
Gurgaon 122 018, Haryana, India

[deltafaucet.co.in](http://deltafaucet.co.in)

+91 81305 18936

[customercareindia@deltafaucet.com](mailto:customercareindia@deltafaucet.com)

© 2015 Masco Corporation of Indiana

Version 10/2015-V.10